



US00D365183S

United States Patent [19]

Purackal et al.

[11] Patent Number: **Des. 365,183**

[45] Date of Patent: ****Dec. 12, 1995**

[54] **CLOTHES DRIER**

[76] Inventors: **Thomas P. Purackal; Tina P. Purackal; Regina P. Purackal**, all of 3993 Trace Hollow Run, Salisbury, Md. 21801

[**] Term: **14 Years**

[21] Appl. No.: **21,714**

[22] Filed: **Apr. 22, 1994**

[52] U.S. Cl. **D32/58**

[58] Field of Search **D32/58-60; 211/119.01, 211/189, 195, 200-203**

[56] **References Cited**

U.S. PATENT DOCUMENTS

D. 315,432	3/1991	Smith	D32/58
3,065,859	11/1962	Muench	211/86

OTHER PUBLICATIONS

"The Washington Post" Mar. 14, 1970 p. D-13—Handy Bathroom Dryer.
Lillian Vernon 1989—Stackable Sweater Dryer.

"Taylor Gifts" 1990—Double Sweater Dryer.
"Hold Everything" May 1989—Stackable Sweater Dryer.

Primary Examiner—James M. Gandy
Assistant Examiner—Robin V. Taylor
Attorney, Agent, or Firm—Walter G. Finch; Nancy A. Smith

[57] **CLAIM**

The ornamental design for a clothes drier, as shown and described.

DESCRIPTION

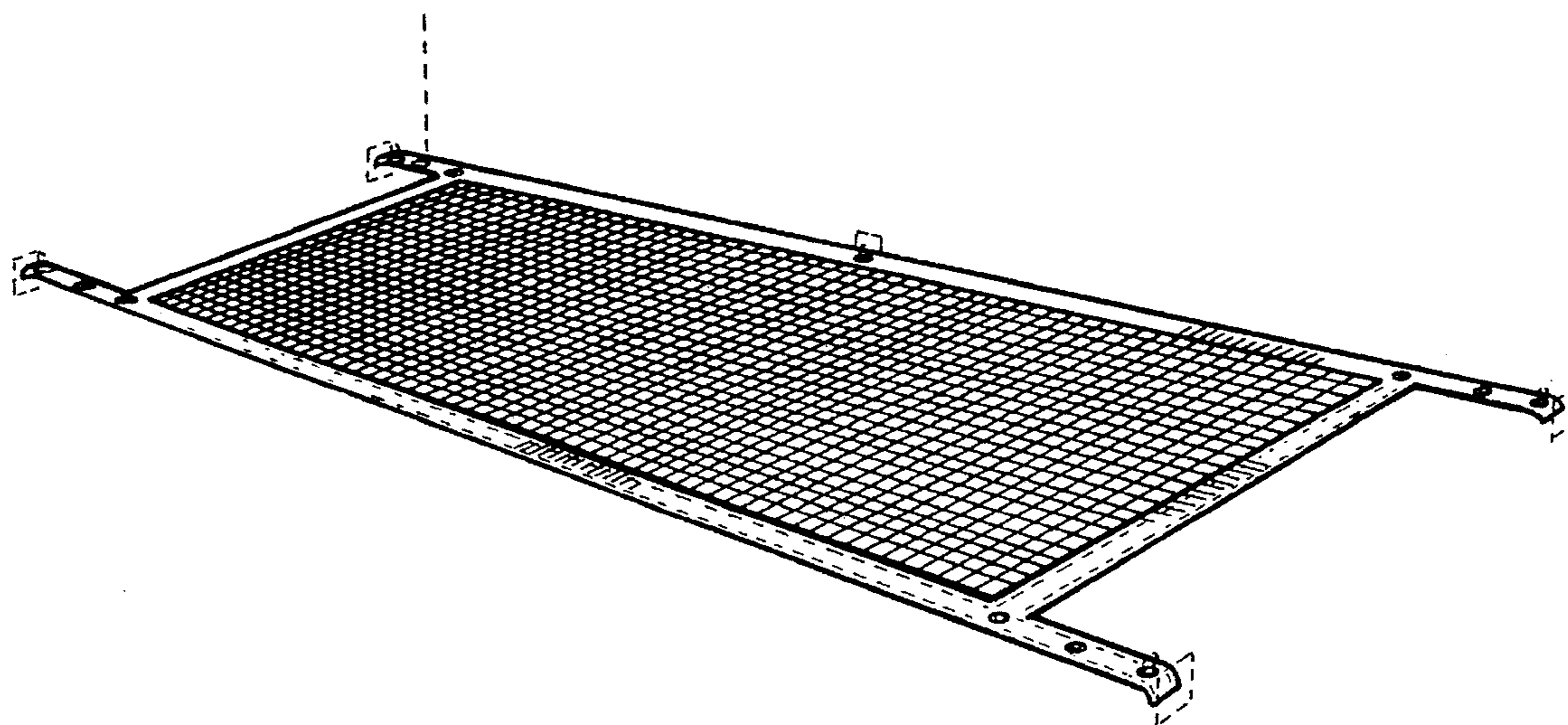
FIG. 1 is a top perspective view of a clothes drier showing our new design. The broken line showing is for illustrative purposes only and forms no part of the claimed design.

FIG. 2 is a bottom view thereof;

FIG. 3 is a side view thereof, the other side being a mirror image; and,

FIG. 4 is an end view thereof, the other end being a mirror image.

1 Claim, 1 Drawing Sheet



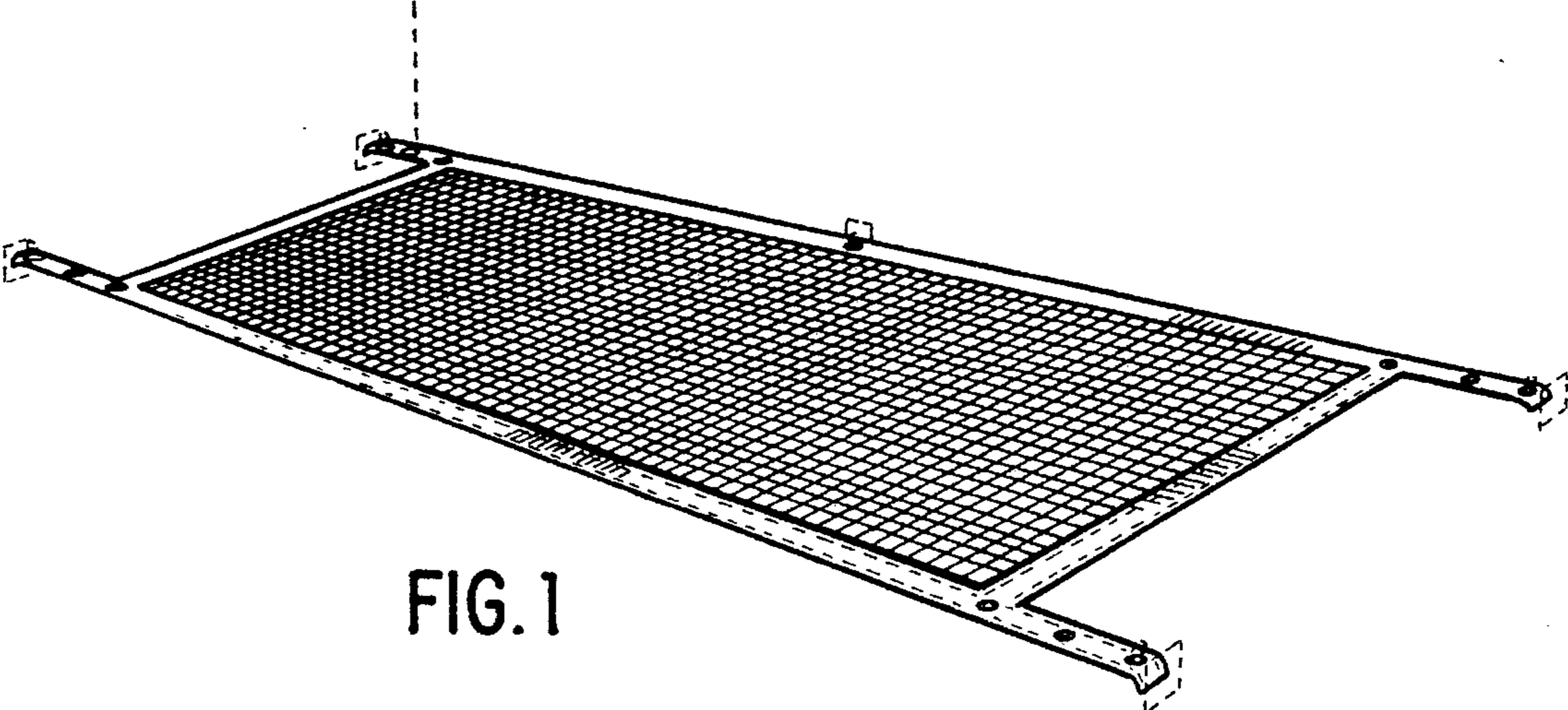


FIG. 1

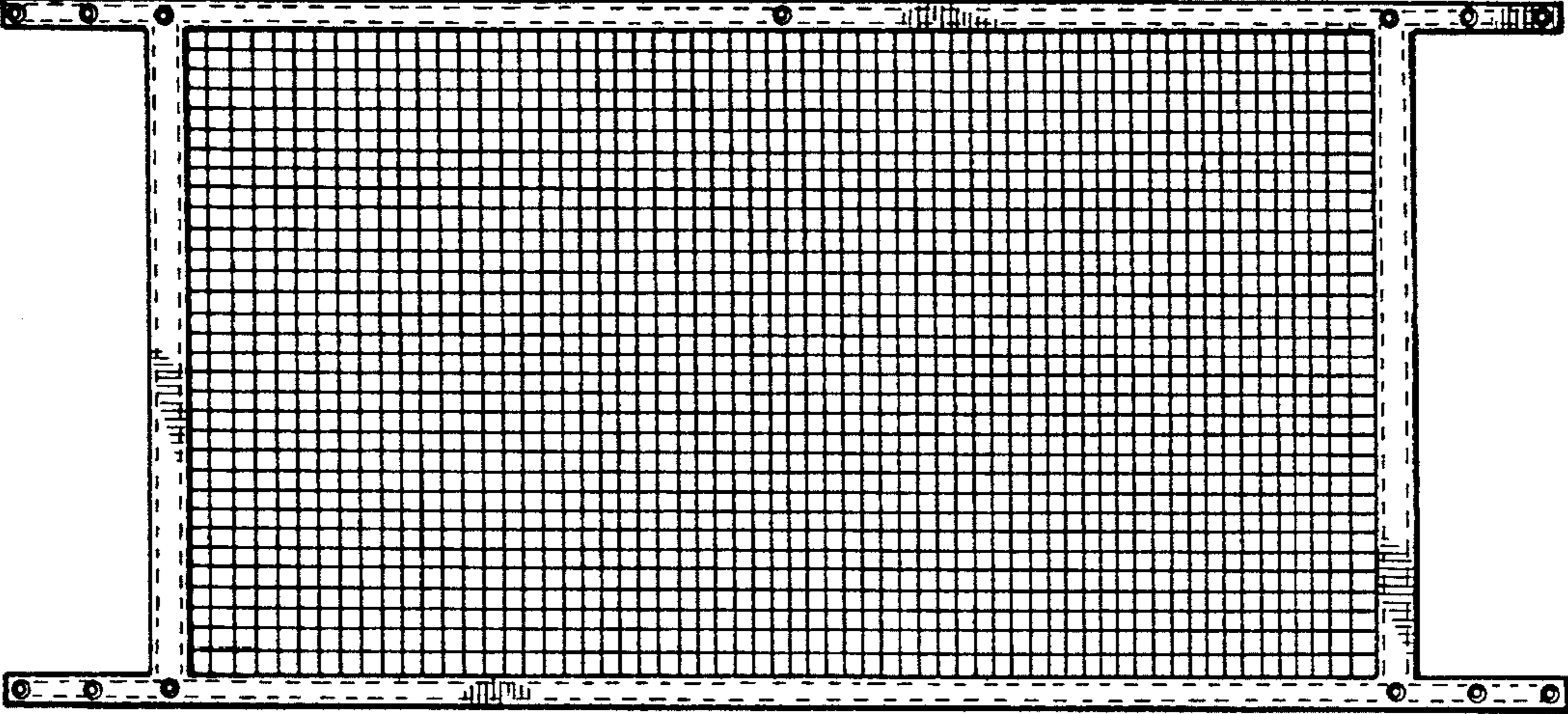


FIG. 2



FIG. 3



FIG. 4