



US00D365180S

United States Patent [19]
Brookfield

[11] **Patent Number: Des. 365,180**

[45] **Date of Patent: **Dec. 12, 1995**

[54] **WALLPAPER SCRAPER**

2,312,809	3/1943	Fletcher	D32/48 X
2,818,642	1/1958	Judd	30/169
4,115,892	9/1978	Stickler	15/105

[75] Inventor: **Grant H. Brookfield**, Auckland, New Zealand

[73] Assignee: **Modern Agencies Ltd.**, Auckland, New Zealand

[**] Term: **14 Years**

[21] Appl. No.: **26,956**

[22] Filed: **Oct. 7, 1994**

[52] U.S. Cl. **D32/48; D9/14**

[58] **Field of Search** D8/14, 45, 98,
D8/101; 29/30; 30/169, 136.5, 491; 15/105,
236; D32/40, 46, 48

[56] **References Cited**

U.S. PATENT DOCUMENTS

D. 267,826	2/1983	Gringer	D32/48
D. 282,881	3/1986	Gringer	D32/48
1,910,087	5/1933	Charlton	D32/48 X

Primary Examiner—Terry A. Wallace
Assistant Examiner—Richelle Shelton
Attorney, Agent, or Firm—Fay, Sharpe, Beall, Fagan, Minnich & McKee

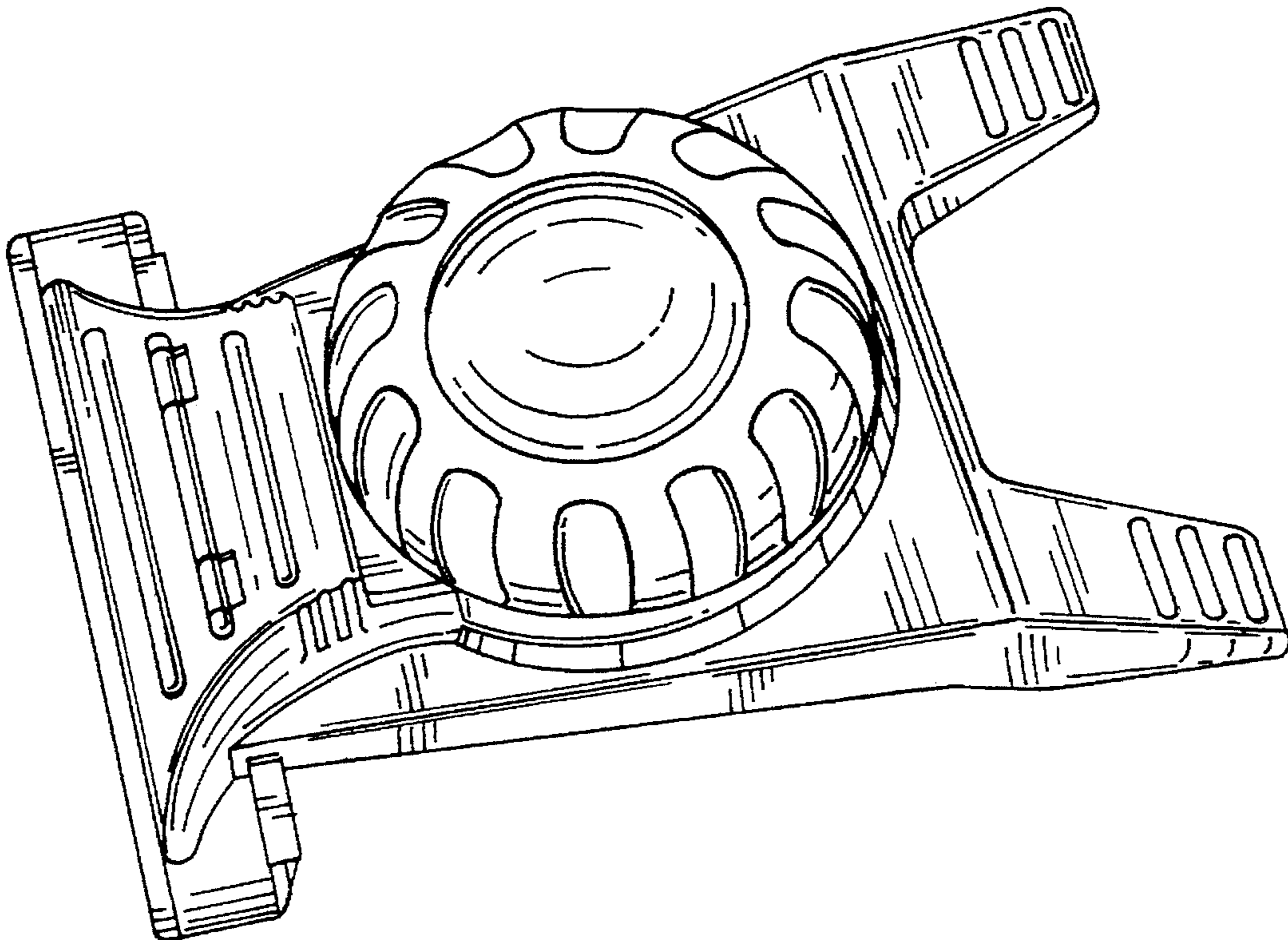
[57] **CLAIM**

The ornamental design for a wallpaper scraper, as shown.

DESCRIPTION

FIG. 1 is a top rear perspective view of a wallpaper scraper showing my new design;
FIG. 2 is a top plan view thereof;
FIG. 3 is a front elevation view thereof;
FIG. 4 is a right side elevation view thereof;
FIG. 5 is a left side elevation view thereof; and,
FIG. 6 is a bottom plan view thereof.

1 Claim, 2 Drawing Sheets



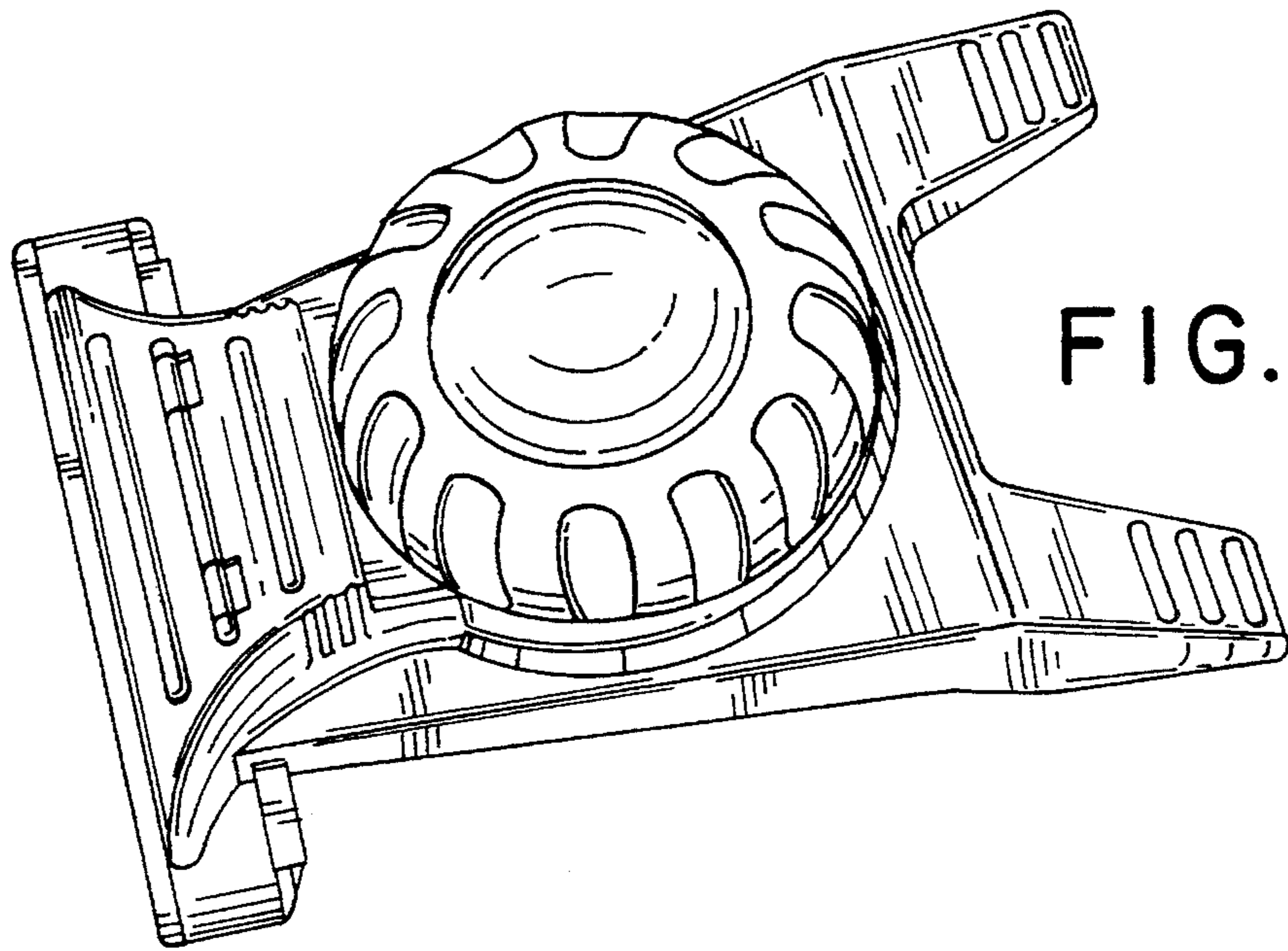


FIG. 1

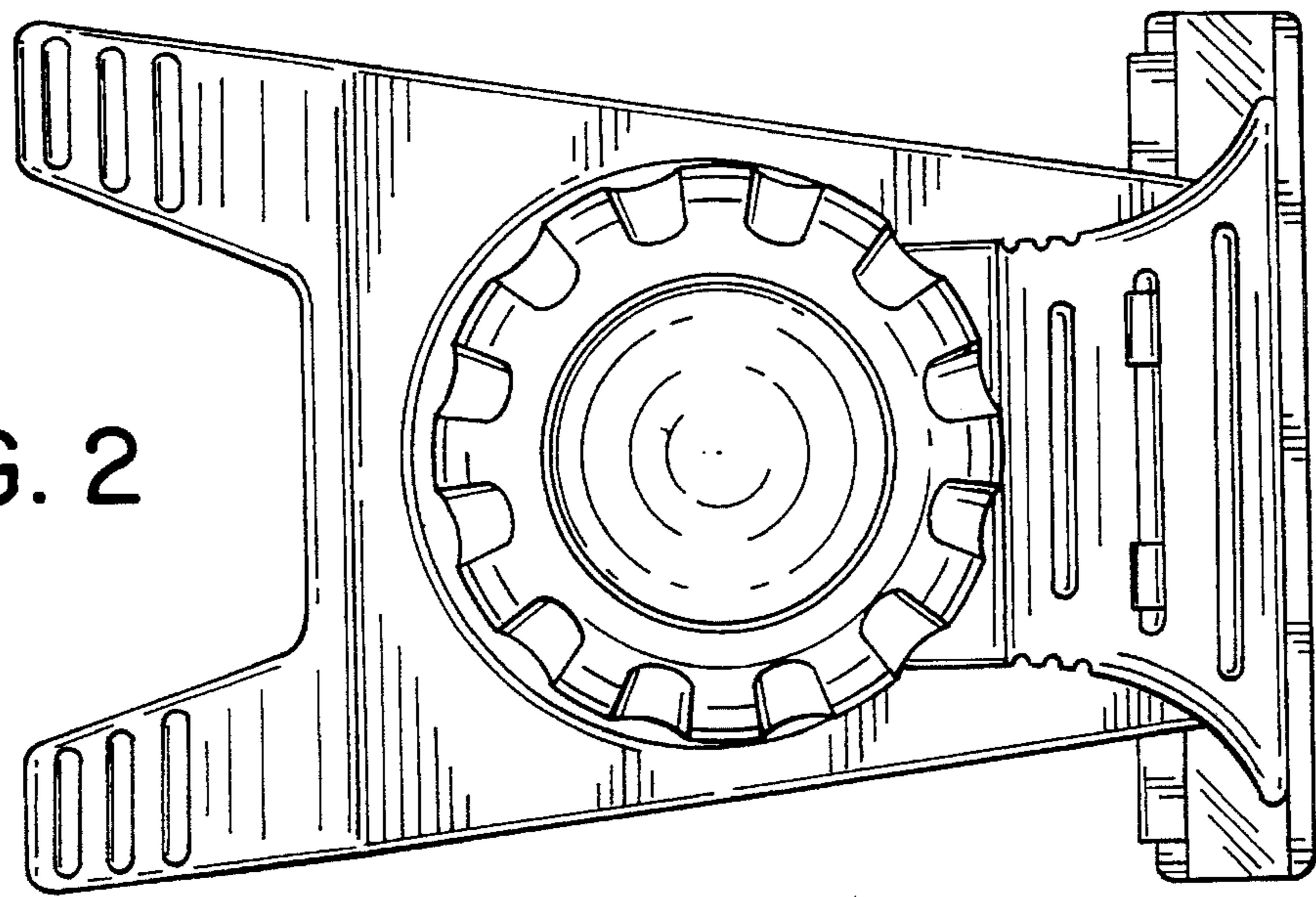


FIG. 2

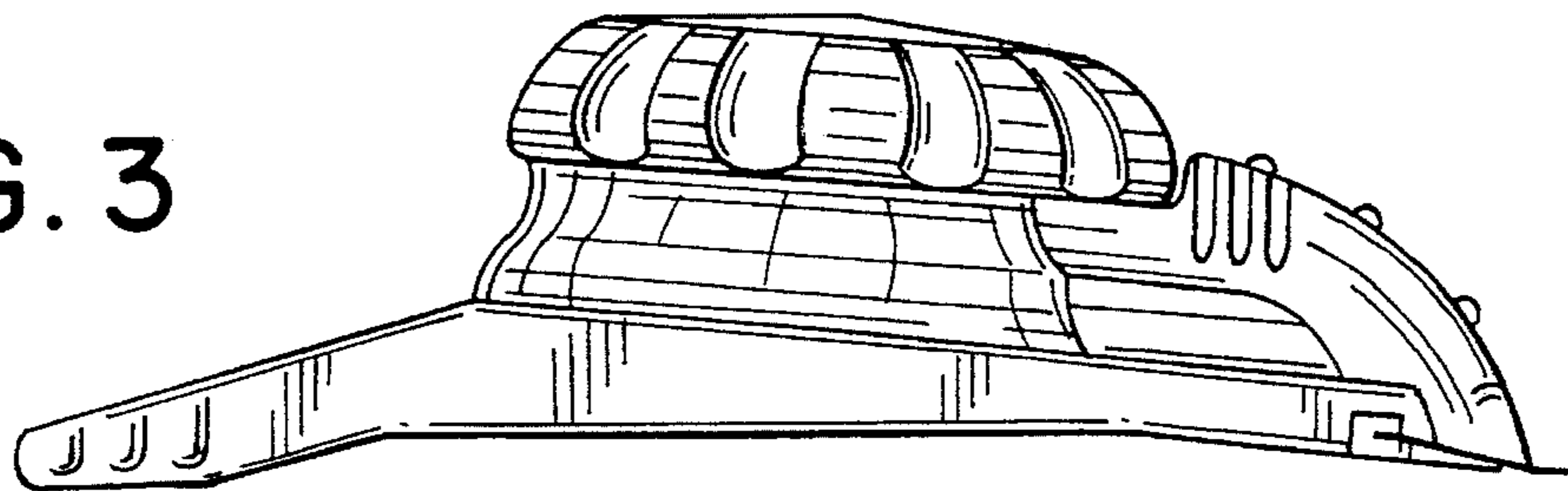


FIG. 3

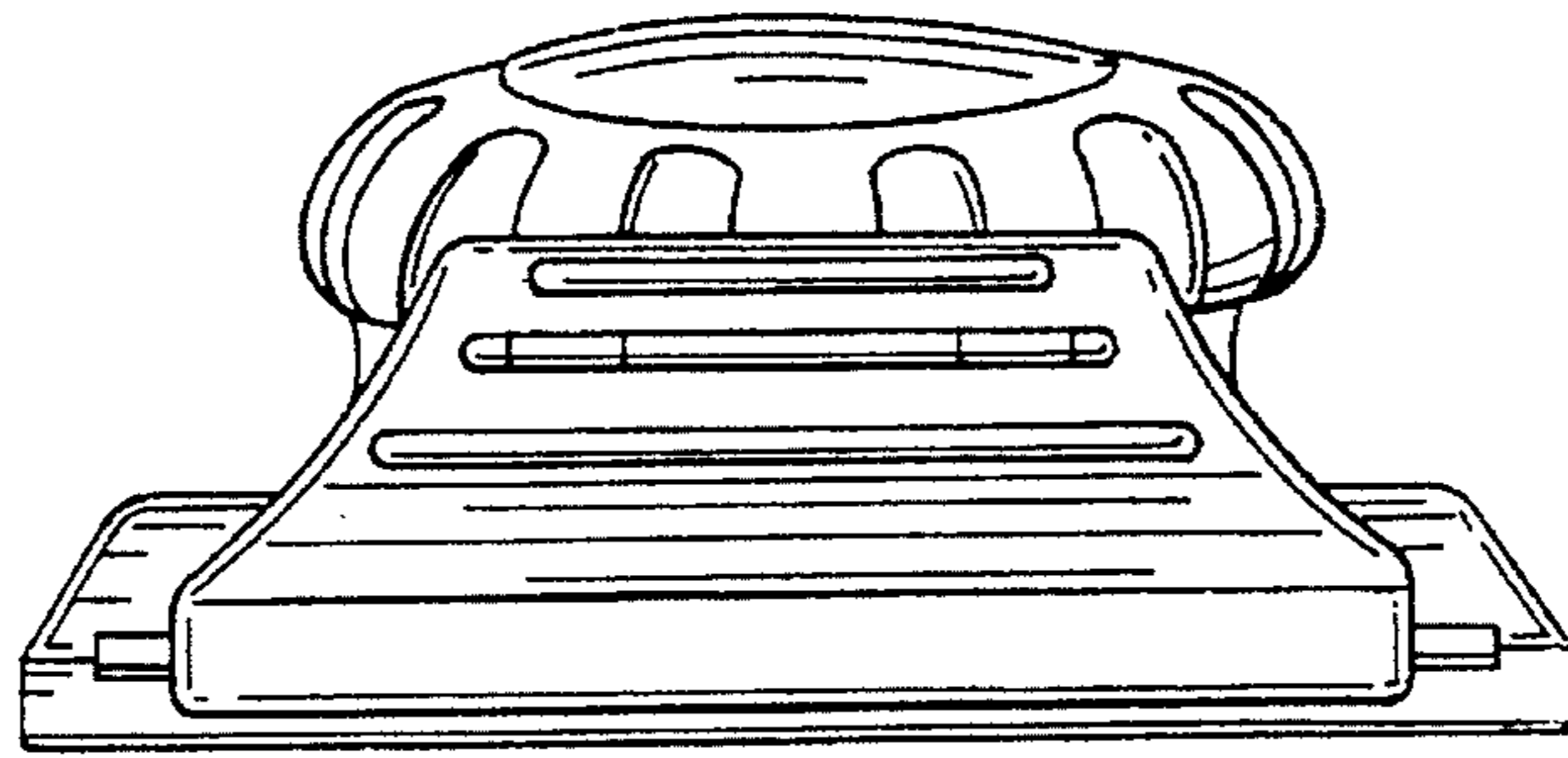


FIG. 4

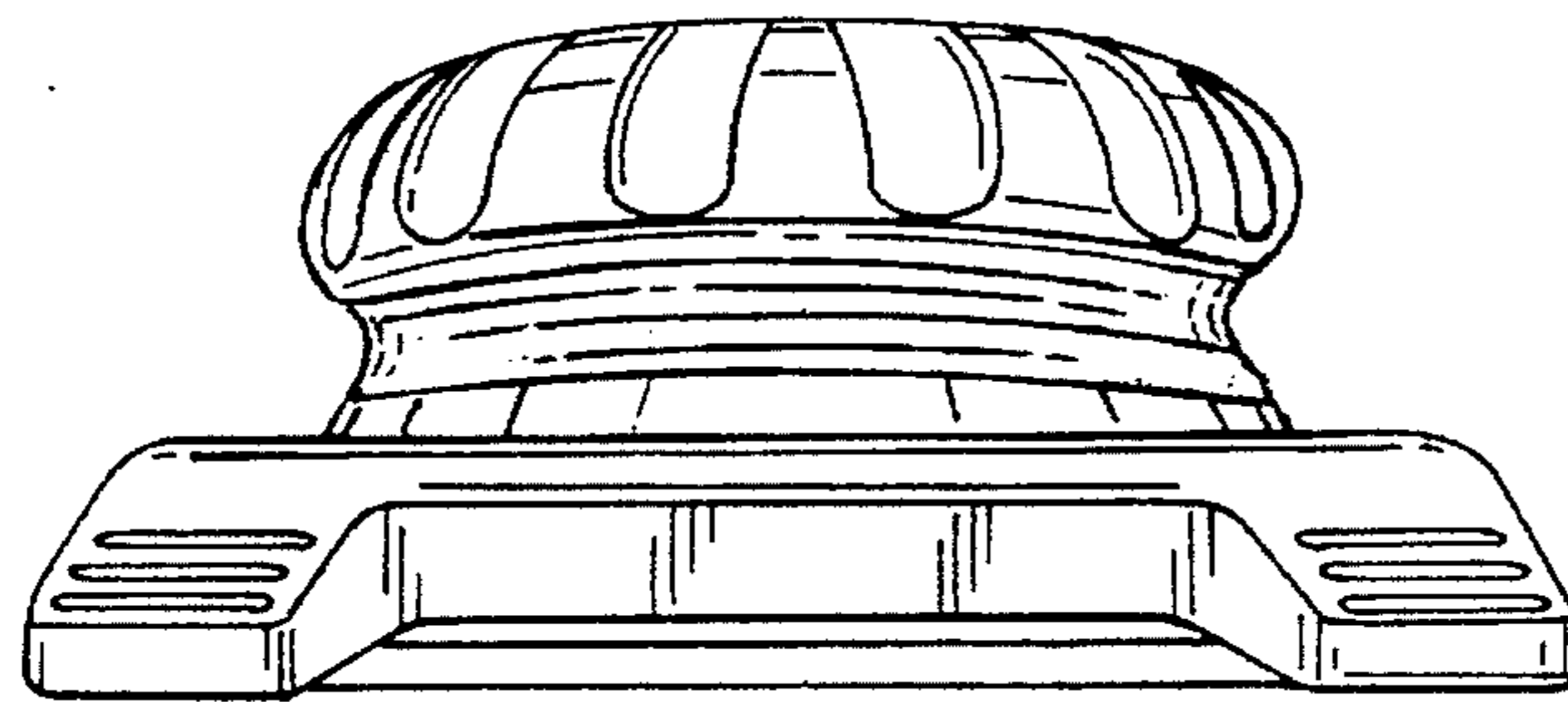


FIG. 5

FIG. 6

