



US00D365177S

# United States Patent [19]

[11] **Patent Number: Des. 365,177**

**Farrell**

[45] **Date of Patent: \*\*Dec. 12, 1995**

[54] **COMBINED ANCHOR AND TETHER FOR SECURING A CAT OR A SMALL DOG**

5,111,771	5/1992	Mathews	119/708
5,199,920	4/1993	Christen	446/419
5,314,369	5/1994	Gamble	446/267

[76] Inventor: **Kurt A. Farrell**, 1801 61st St., Des Moines, Iowa 50322

### FOREIGN PATENT DOCUMENTS

[\*\*] Term: **14 Years**

262009	12/1926	United Kingdom	119/786
8707834	12/1987	WIPO	D30/154
9003728	4/1990	WIPO	119/796

[21] Appl. No.: **26,508**

*Primary Examiner*—Cathy Anne MacCormac

[22] Filed: **Jul. 29, 1994**

[52] U.S. Cl. .... **D30/154**

### [57] CLAIM

[58] **Field of Search** ..... 119/707, 708, 119/709, 710, 711, 795, 797, 792, 796, 769, 786; D30/151, 154, 160, 158, 119; D21/197, 198; 466/419, 267

The ornamental design for a combined anchor and tether for securing a cat or a small dog, as shown and described.

### DESCRIPTION

### [56] References Cited

#### U.S. PATENT DOCUMENTS

D. 279,495	7/1985	Barbeau	D21/197
D. 351,436	10/1994	Pravitz	D21/198
3,244,149	4/1966	Bosko et al.	D30/154
3,830,202	8/1974	Garrison	119/709
4,334,503	6/1982	Carey, Jr.	119/786
4,537,155	8/1985	Buratovich	119/797
4,681,303	7/1987	Grassano	119/769
5,088,448	2/1992	Gladding	119/786

FIG. 1 is a front elevational view of the combined anchor and tether for securing a cat or a small dog showing my new design;

FIG. 2 is a rear elevational view thereof;

FIG. 3 is a left side elevational view thereof;

FIG. 4 is a right side elevational view thereof;

FIG. 5 is a top plan view thereof;

FIG. 6 is a bottom plan view thereof; and,

FIG. 7 is a perspective view thereof.

**1 Claim, 4 Drawing Sheets**

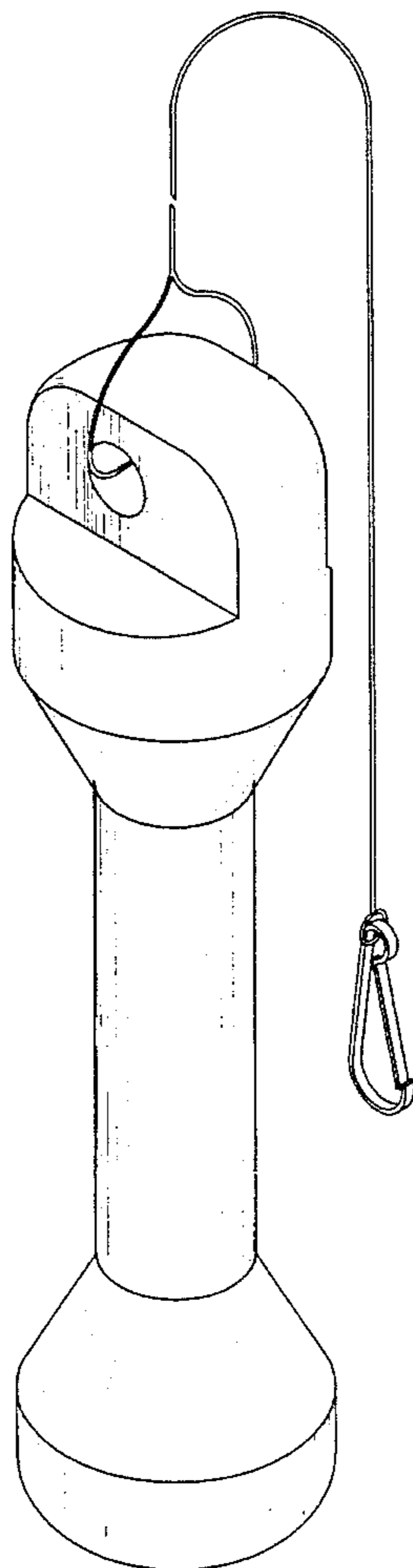


FIG. 1

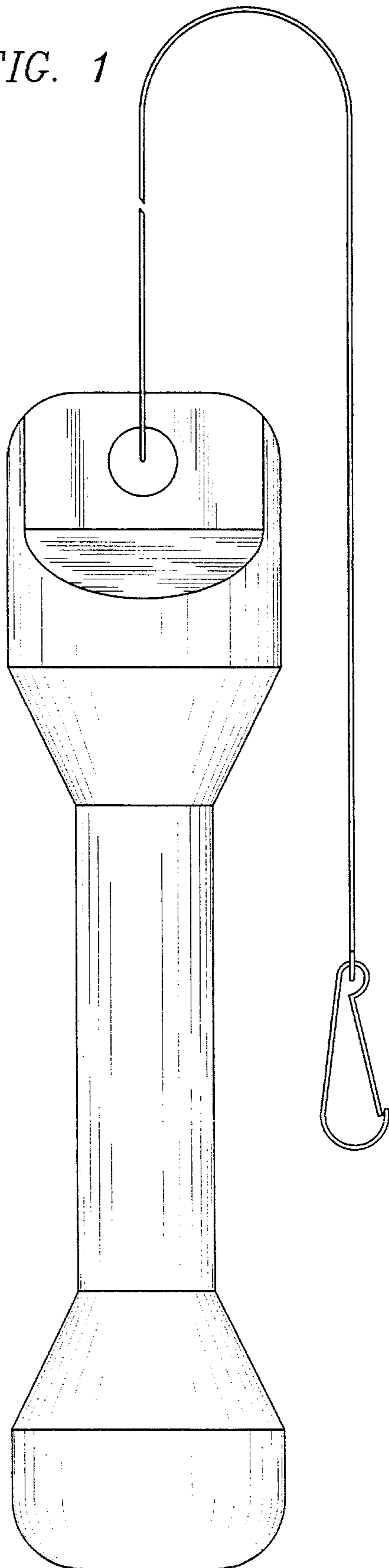


FIG. 2

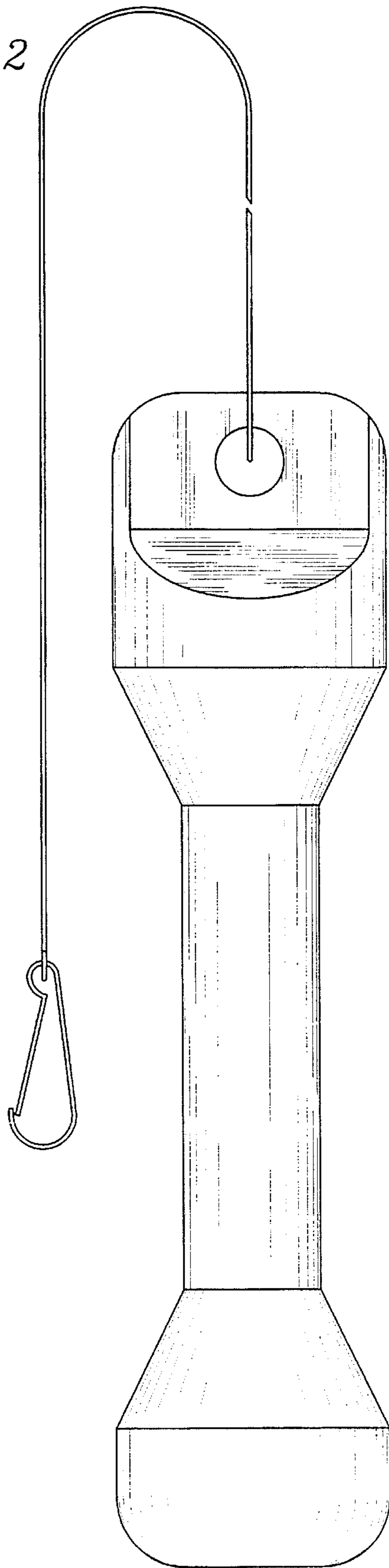


FIG. 3

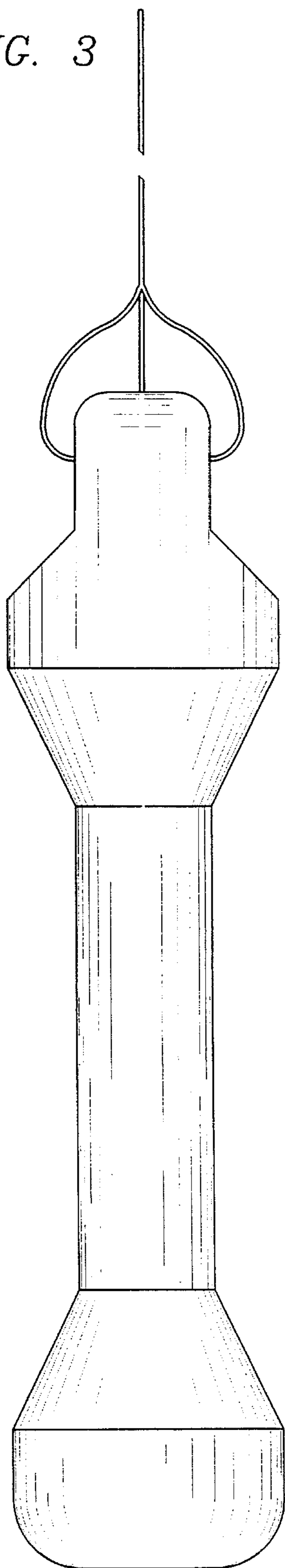


FIG. 4

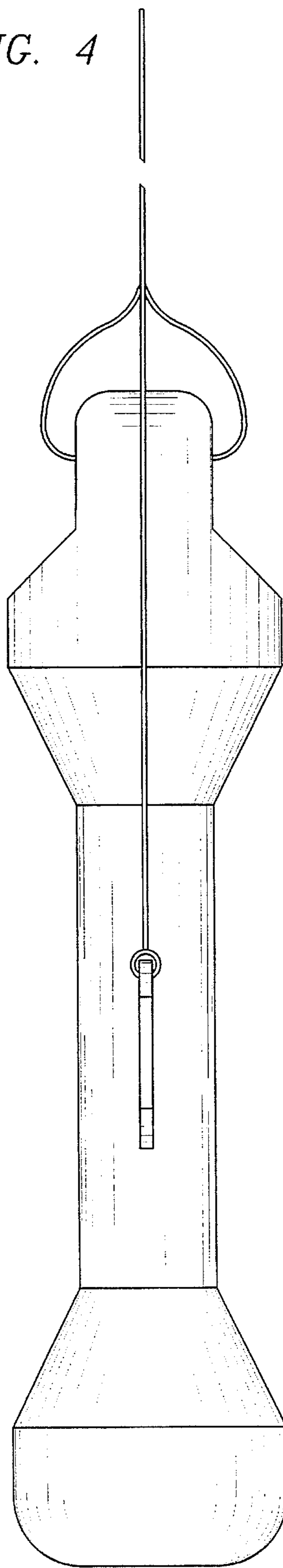


FIG. 5

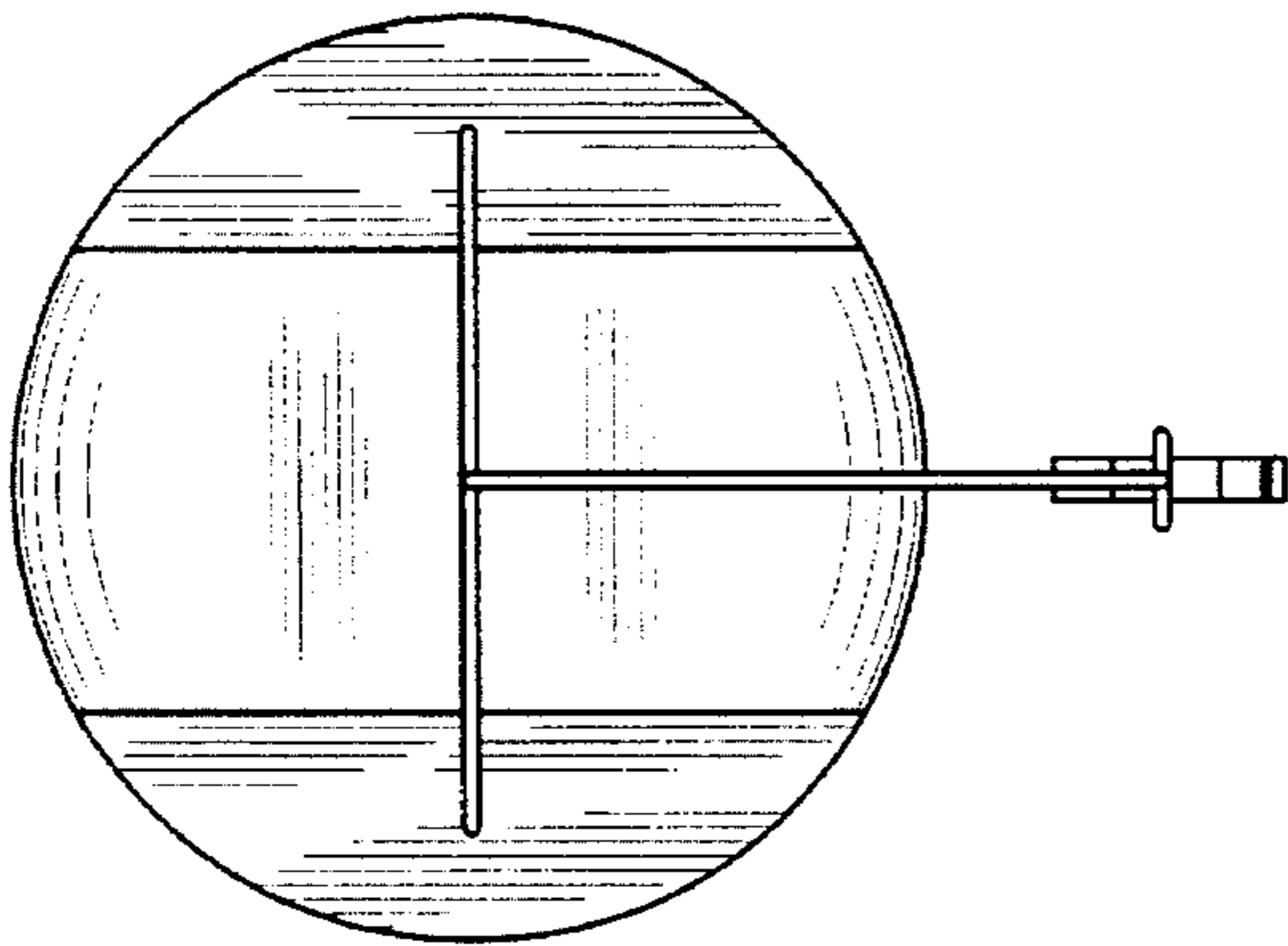


FIG. 6

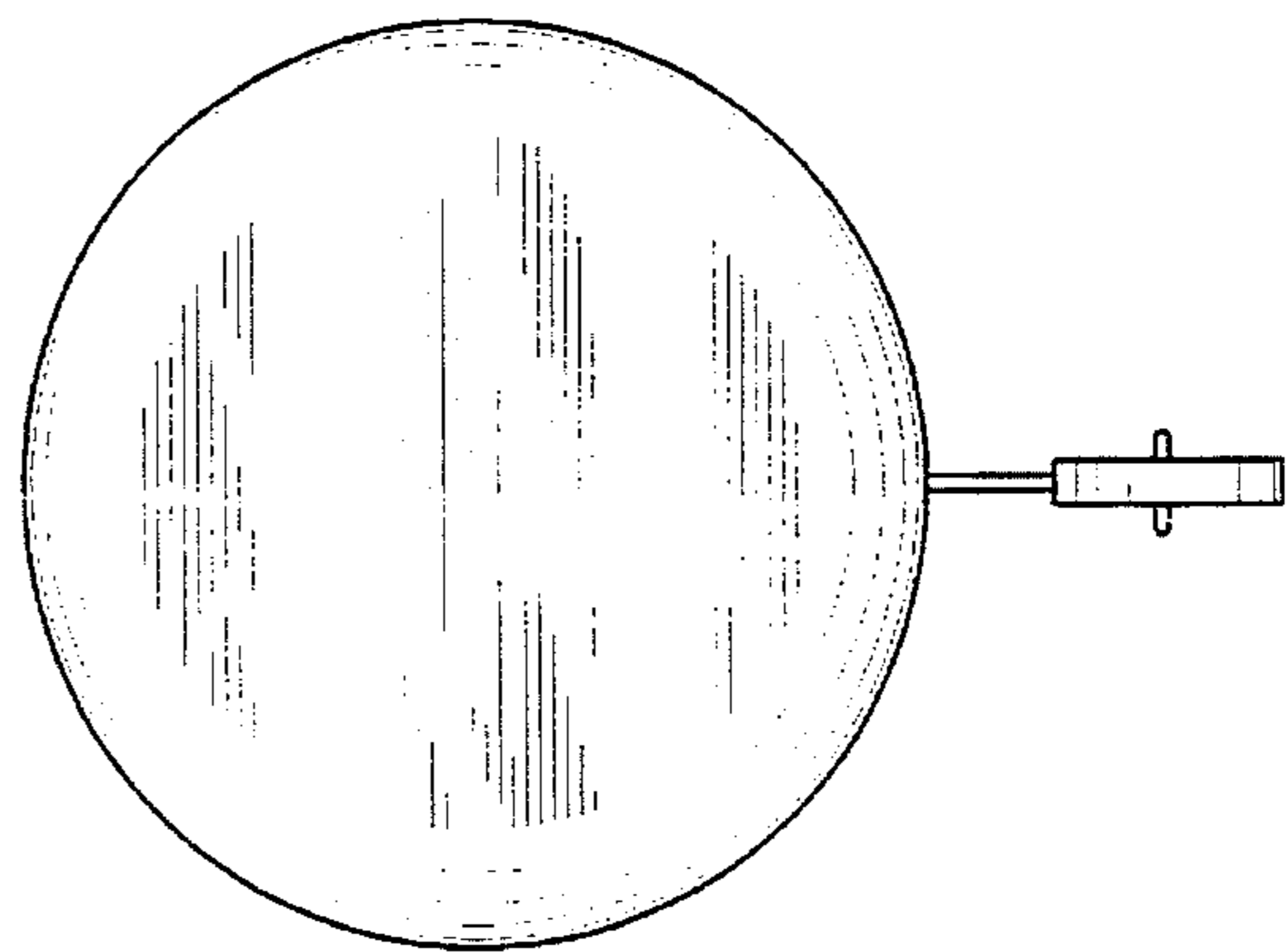


FIG. 7

