



US00D365173S

United States Patent [19]

[11] Patent Number: **Des. 365,173**

Ford

[45] Date of Patent: ****Dec. 12, 1995**

[54] **COMB**

OTHER PUBLICATIONS

[76] Inventor: **Judit K. Ford**, 17728 Chatsworth St.,
Granada Hills, Calif. 91344

“Hong Kong Enterprise” Oct. 1989; p. 702: comb indicated by arrow.

[**] Term: **14 Years**

“Hong Kong Enterprises” Oct. 1991; p. 477 second row, left comb indicated by arrow.

[21] Appl. No.: **18,282**

Primary Examiner—Ted Shooman

Assistant Examiner—C. Tuttle

[22] Filed: **Feb. 2, 1994**

[52] U.S. Cl. **D28/28**

[57] CLAIM

[58] Field of Search D28/21, 25, 28-31;
D4/117, 134, 136; 132/219, 126, 135, 141,
142, 148, 150, 161, 162

The ornamental design for a comb, as shown and described.

DESCRIPTION

[56] References Cited

FIG. 1 is a left side elevational view of comb showing my new design in an inverted position;

U.S. PATENT DOCUMENTS

D. 182,016	2/1958	Dean	D28/28
D. 258,541	3/1981	Featherstone	D28/31
D. 269,044	5/1983	Battaglia	D28/25
D. 290,065	6/1987	Battaglia	D28/25 X
D. 330,781	11/1992	Balster et al.	D28/30
3,464,427	9/1969	Abraham .	
4,520,831	6/1985	Schumann et al. .	
4,612,944	9/1986	Bachrach et al. .	
4,984,590	1/1991	Bachtell	132/161

FIG. 2 is a right side elevational view thereof;

FIG. 3 is a rear end elevational view thereof;

FIG. 4 is a front end elevational view thereof;

FIG. 5 is a top plan view thereof;

FIG. 6 is a bottom plan view thereof; and,

FIG. 7 is an enlarged top and left side perspective view thereof.

1 Claim, 4 Drawing Sheets

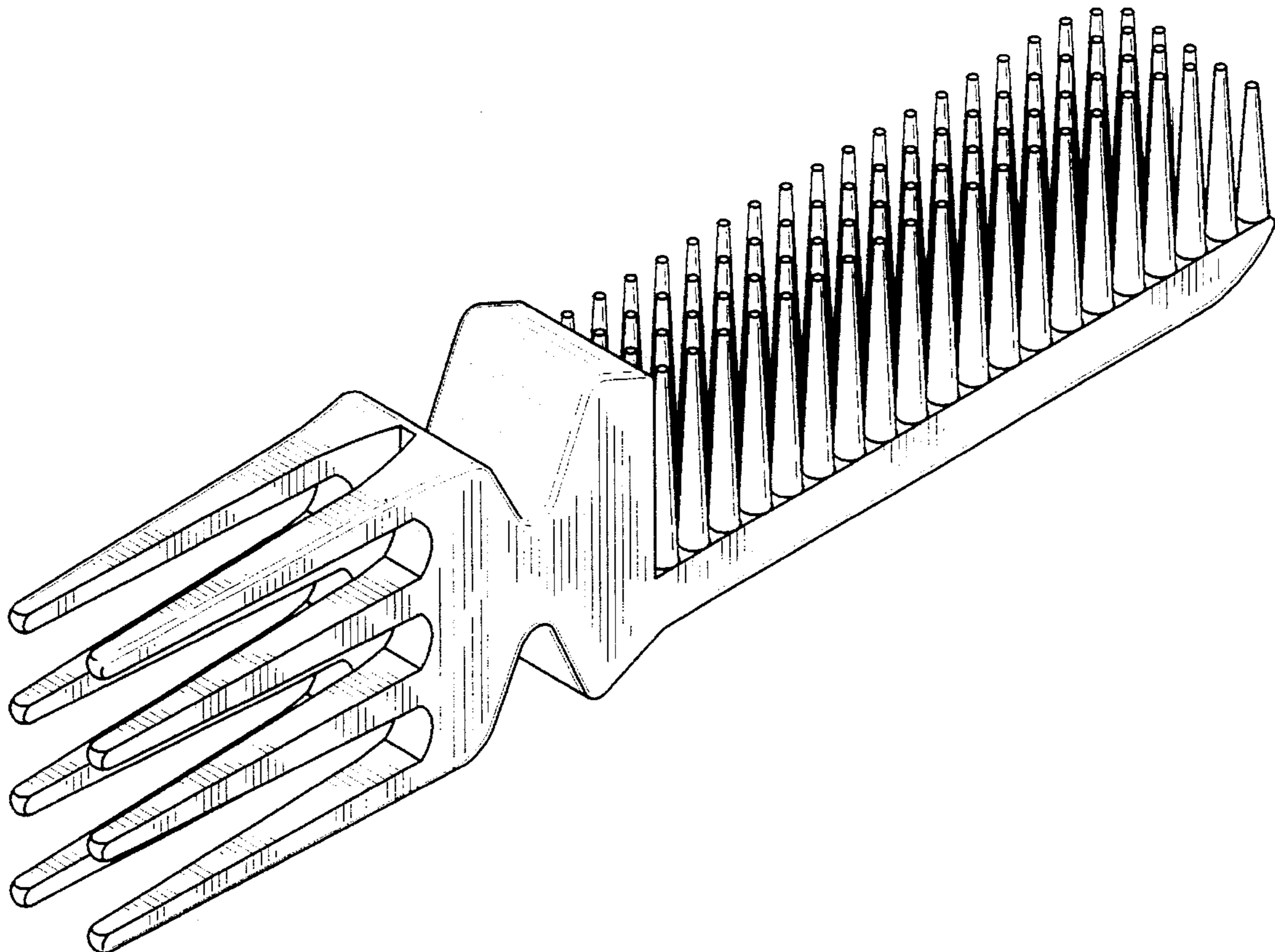


FIG. 1

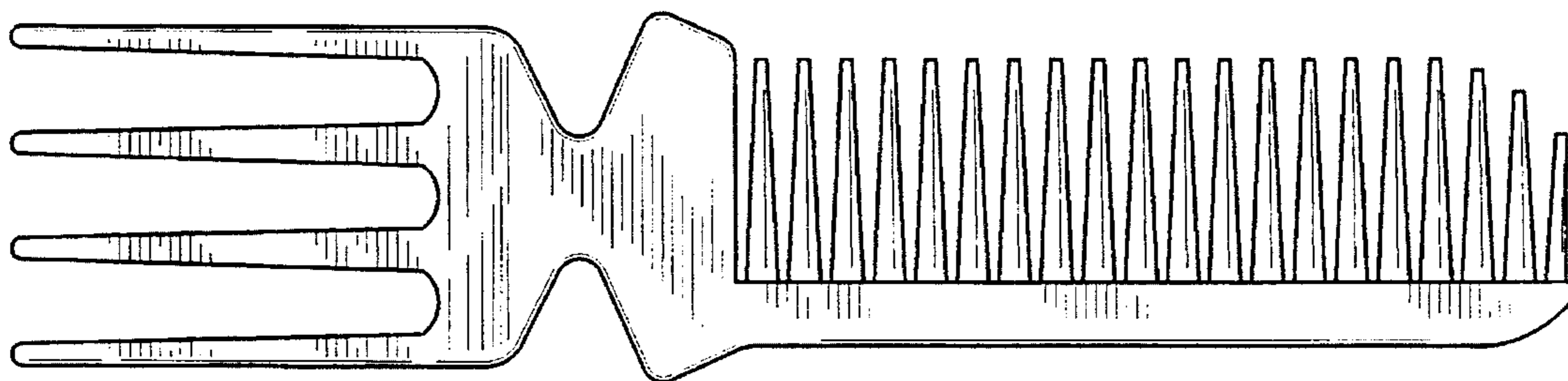


FIG. 2

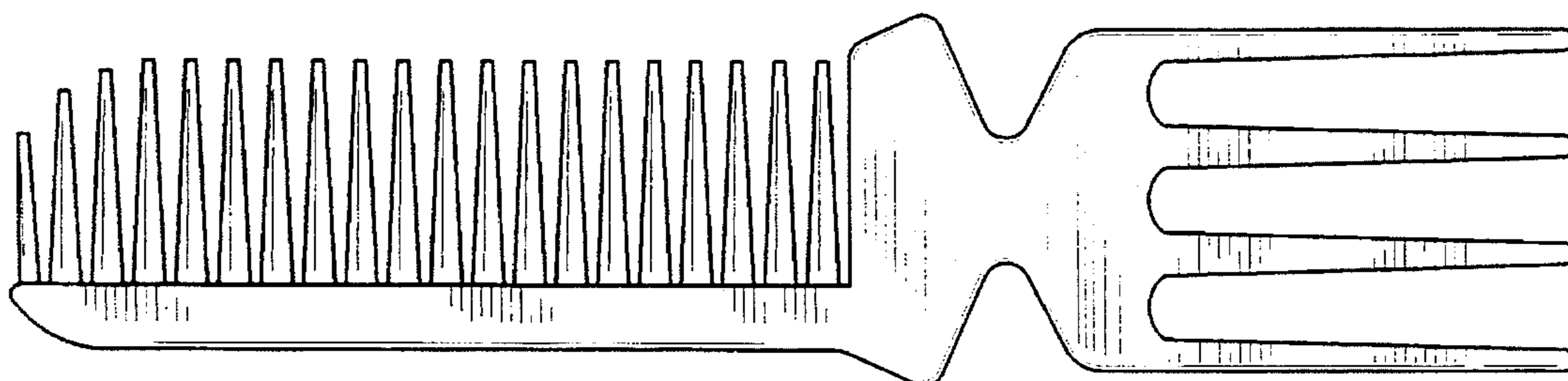


FIG. 3

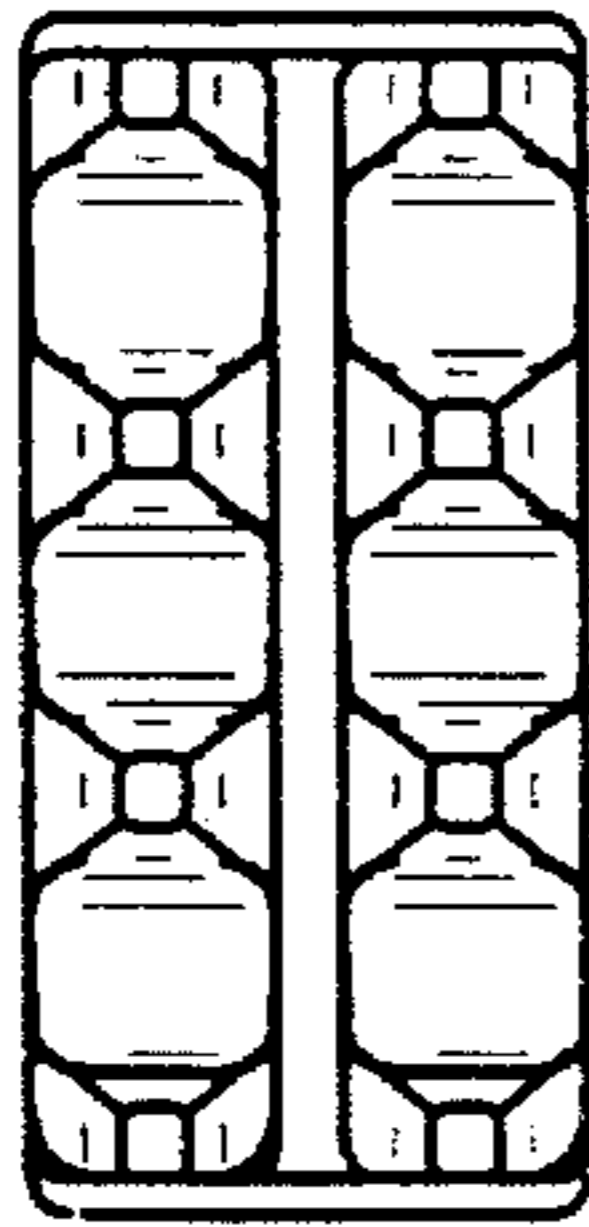


FIG. 4



FIG. 5

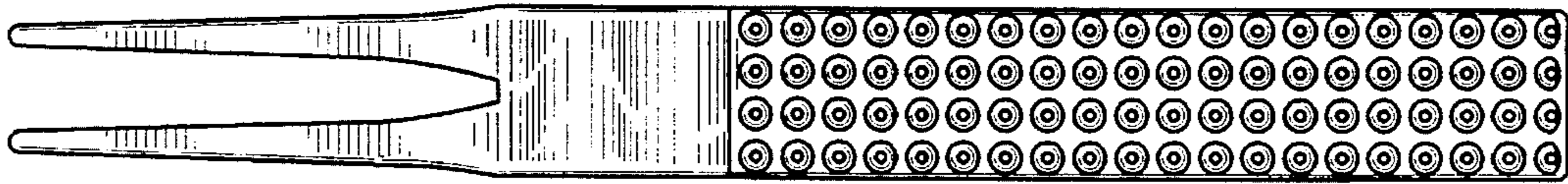


FIG. 6

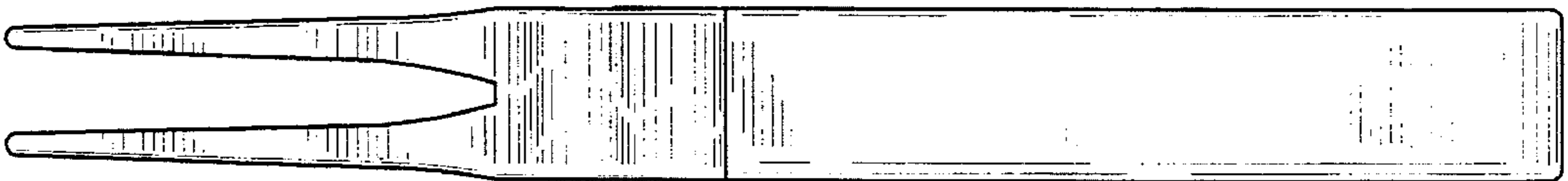


FIG. 7

