



US00D365165S

United States Patent [19]

[11] Patent Number: **Des. 365,165**

Stultz

[45] Date of Patent: ****Dec. 12, 1995**

[54] **HOUSING FOR ARCHITECTURAL STROBE LAMP**

Primary Examiner—Susan J. Lucas
Attorney, Agent, or Firm—James R. Bell

[75] Inventor: **Mark A. Stultz**, Austin, Tex.

[57] **CLAIM**

[73] Assignee: **High End Systems, Inc.**, Austin, Tex.

The ornamental design for a housing for the architectural strobe fixture, as shown and described.

[**] Term: **14 Years**

DESCRIPTION

[21] Appl. No.: **29,962**

FIG. 1 is a rear perspective view of the housing for the architectural strobe fixture of the present invention;

[22] Filed: **Oct. 20, 1994**

FIG. 2 is a front view in elevation of the housing for the architectural strobe fixture of FIG. 1;

[52] U.S. Cl. **D26/63; D26/24**

FIG. 3 is a rear view in elevation of the housing for the architectural strobe fixture of FIG. 1;

[58] **Field of Search** **D26/60-66, 24; 362/269, 274, 275, 285, 418, 419, 427**

FIG. 4 is a side view in elevation of the housing for the architectural strobe fixture of FIG. 1 as seen from the right-hand side of FIG. 1;

[56] **References Cited**

U.S. PATENT DOCUMENTS

D. 297,671 9/1988 Groh D26/63

FIG. 5 is a side view in elevation of the housing for the architectural strobe fixture of FIG. 1 as seen from the left-hand side of FIG. 1;

FOREIGN PATENT DOCUMENTS

1271344 7/1961 France 362/269
3000160 7/1981 Germany 362/269

FIG. 6 is a top plan view of the housing for the architectural strobe fixture of FIG. 1; and,

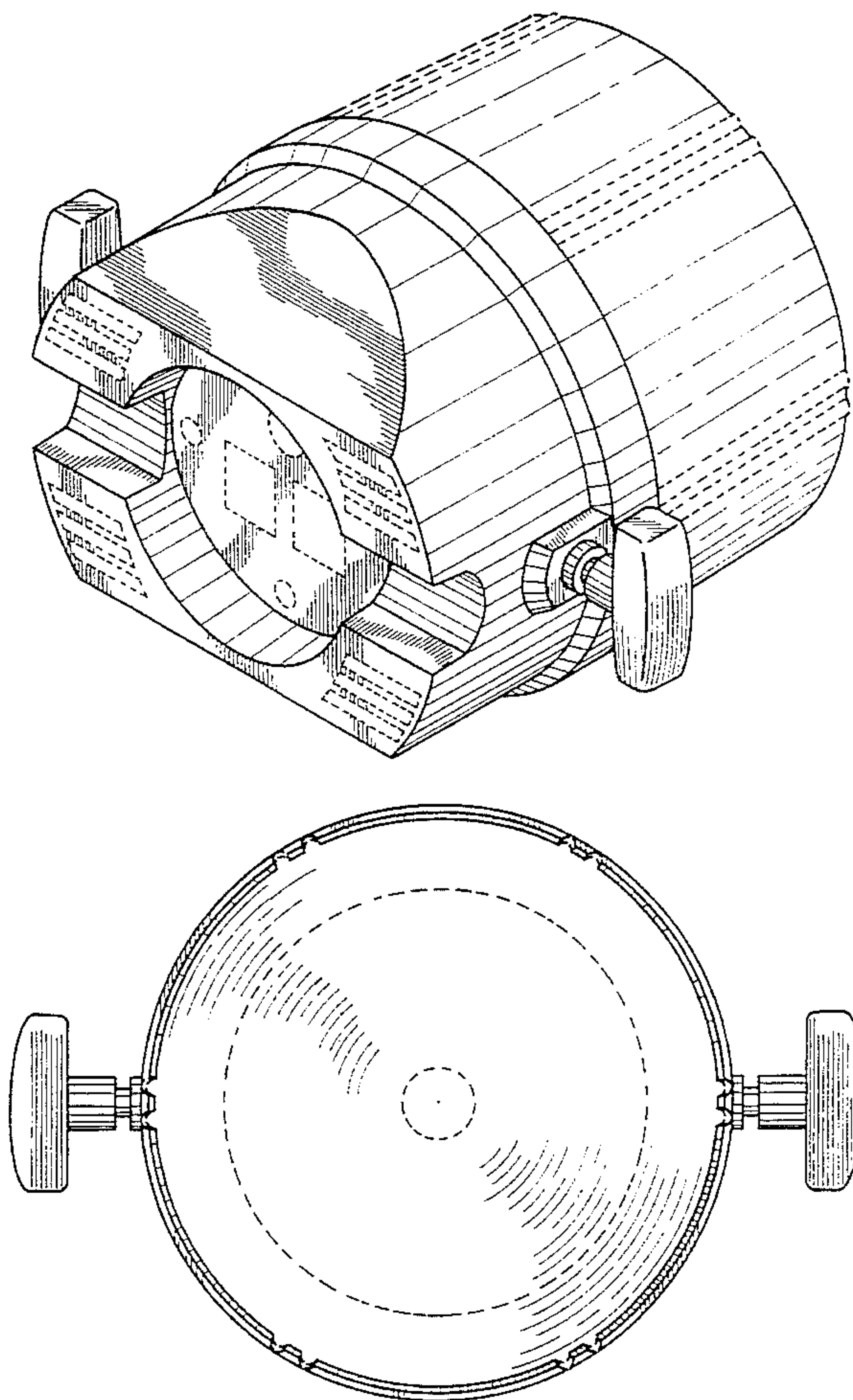
OTHER PUBLICATIONS

Ness Newsletter, Winter 93-94, p. 5, "Pulsant" Light Projector.

FIG. 7 is a bottom plan view of the housing for the architectural strobe fixture of FIG. 1.

The broken lines are shown for illustrative purposes only and form no part of the claimed design.

1 Claim, 6 Drawing Sheets



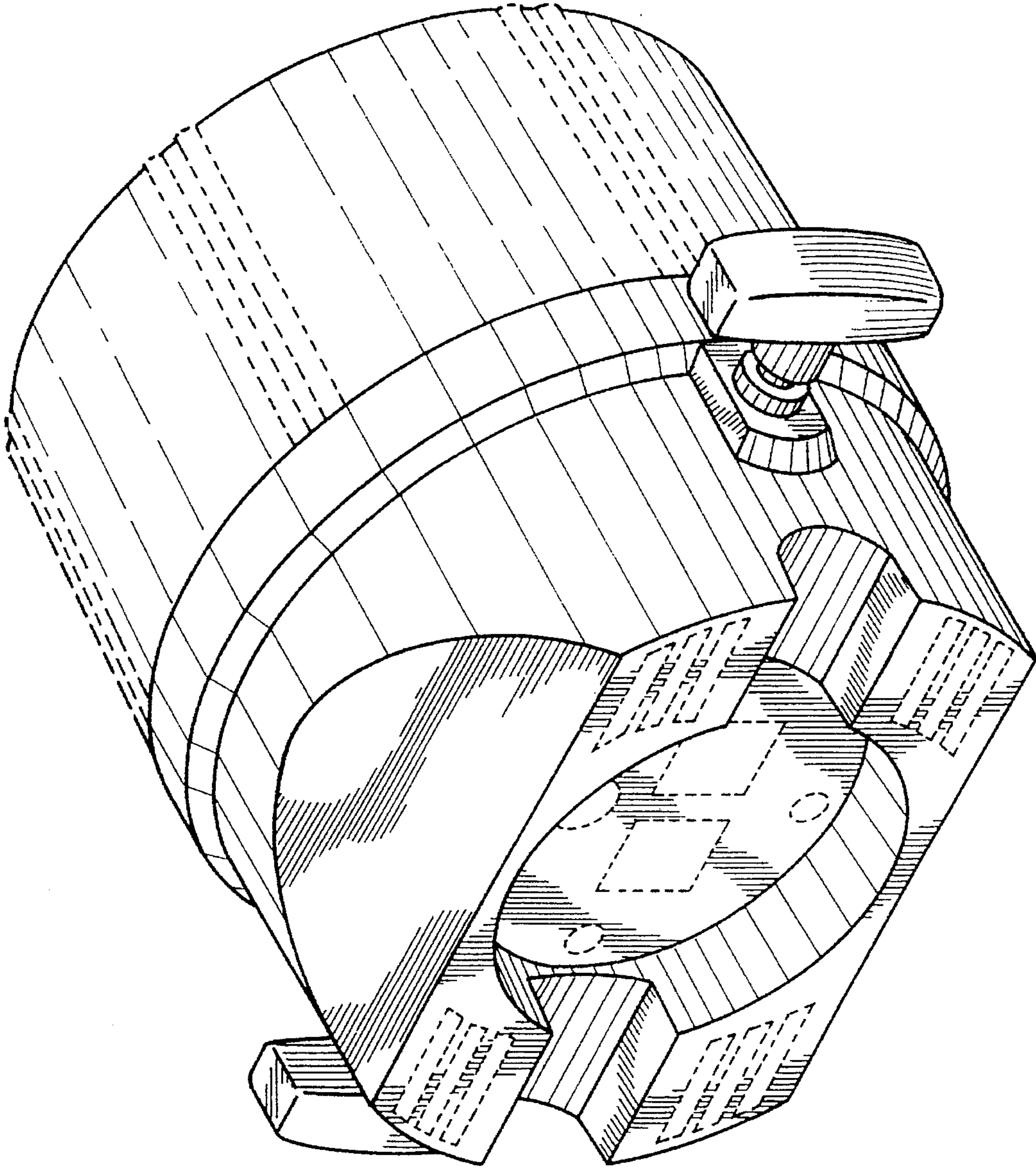


FIG. 1

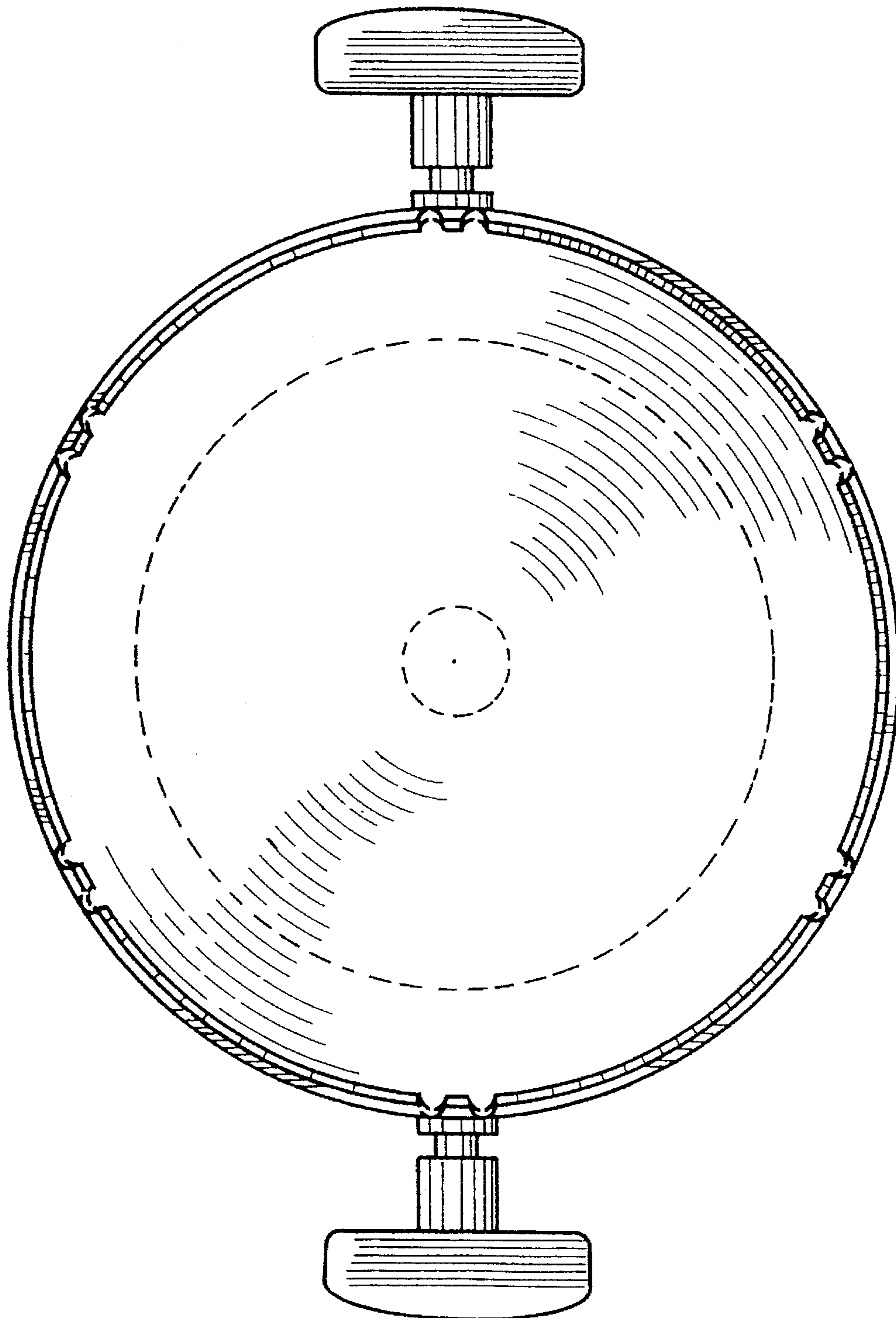


FIG. 2

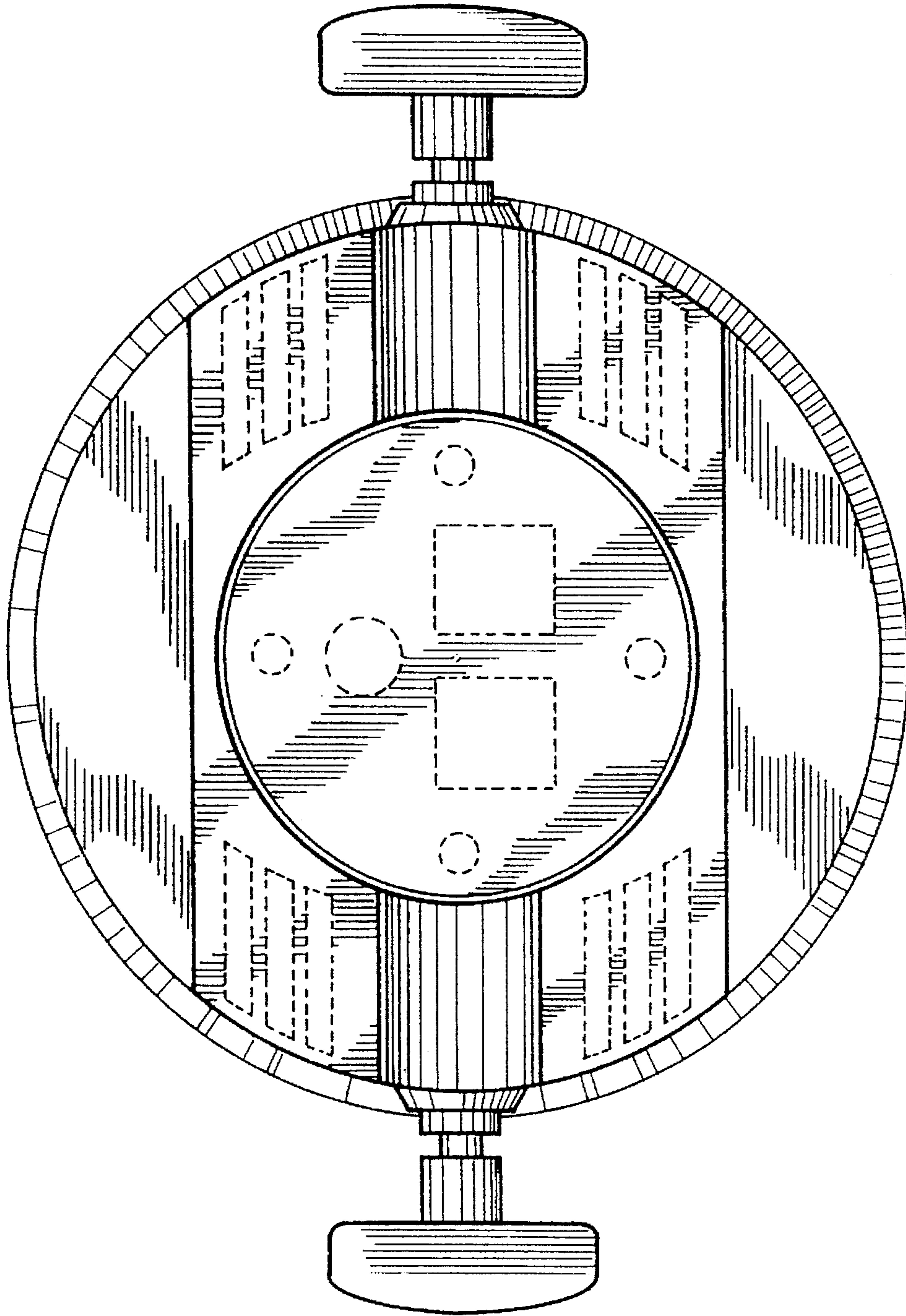


FIG. 3

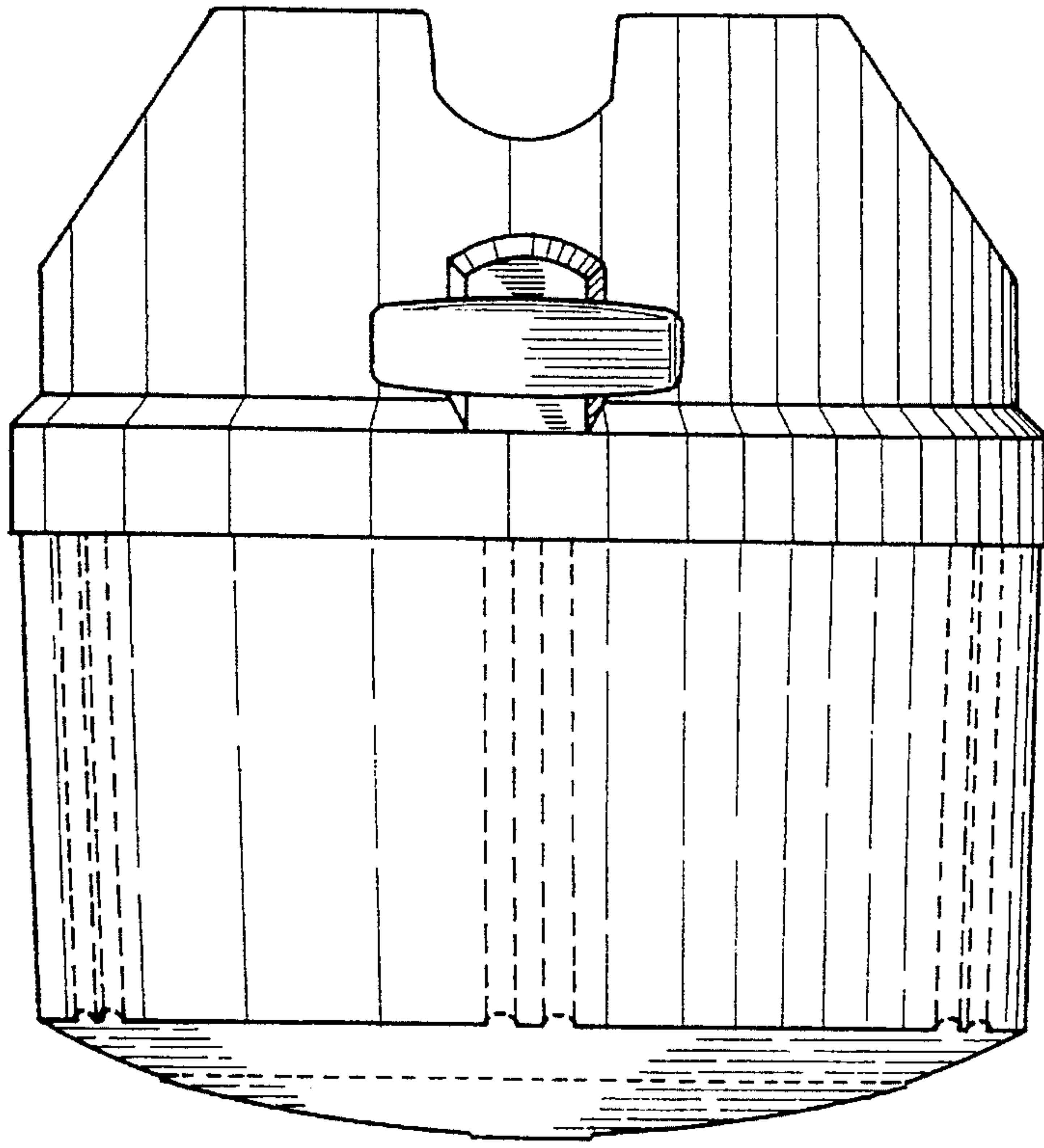


FIG. 5

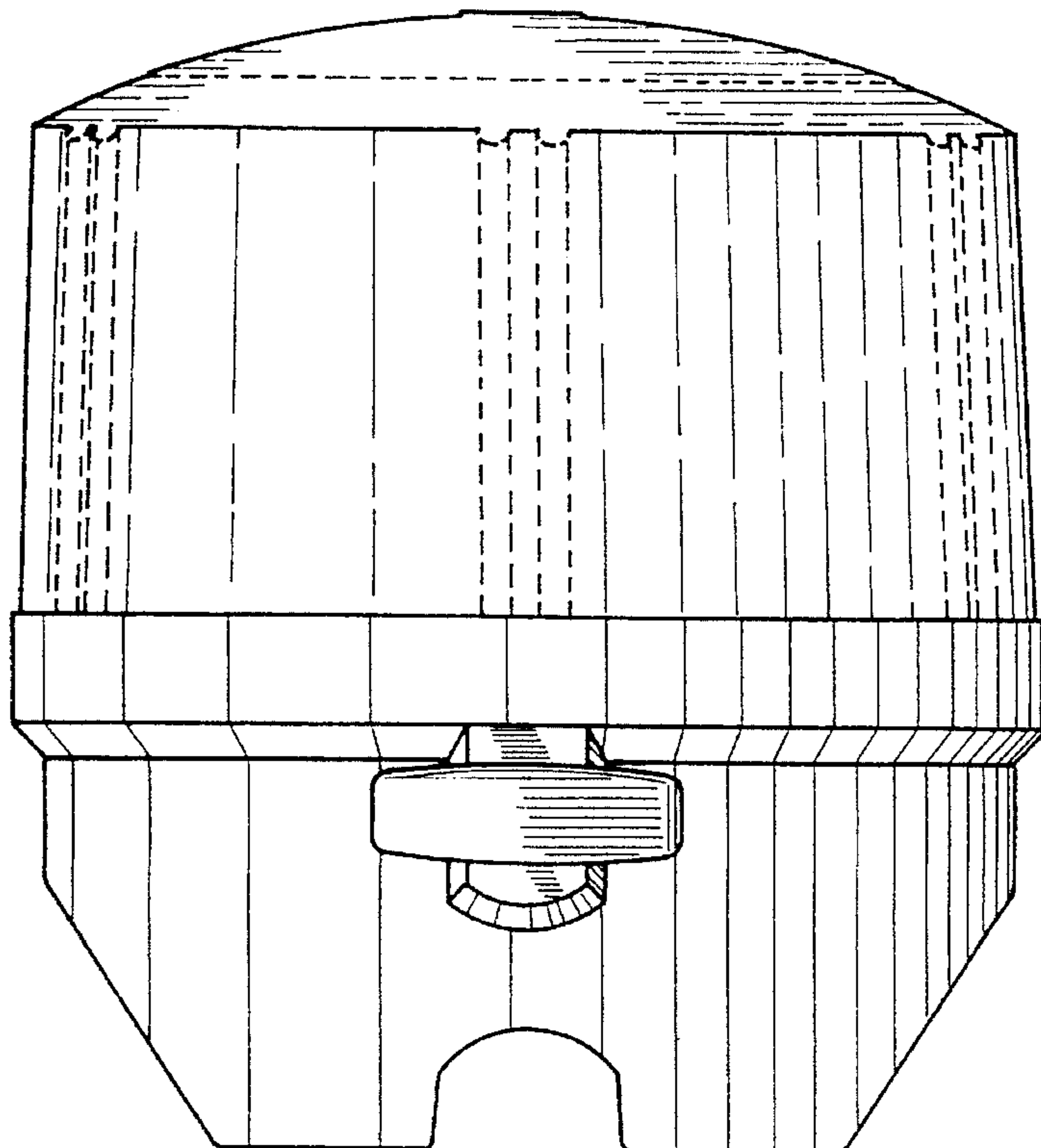


FIG. 4

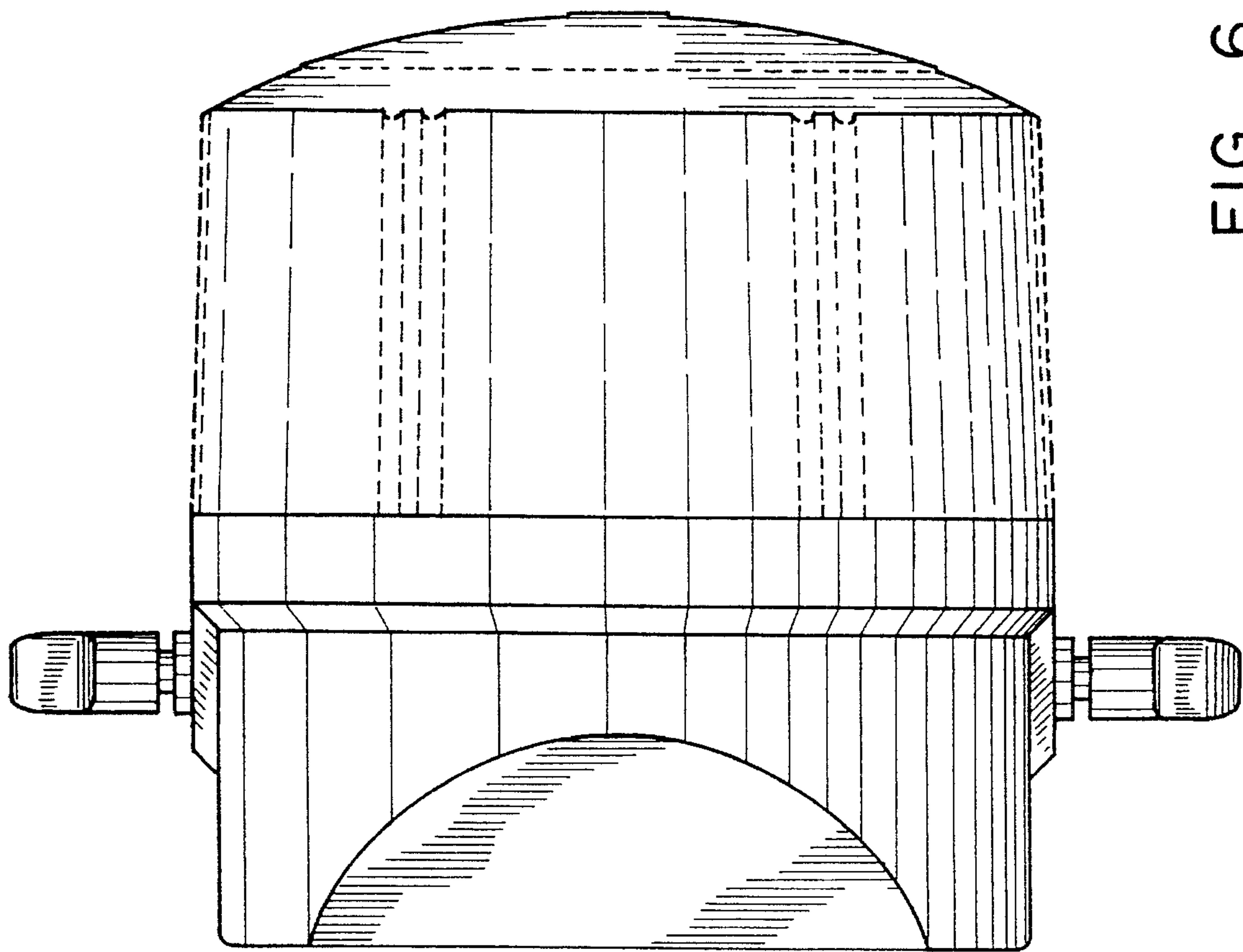


FIG. 6

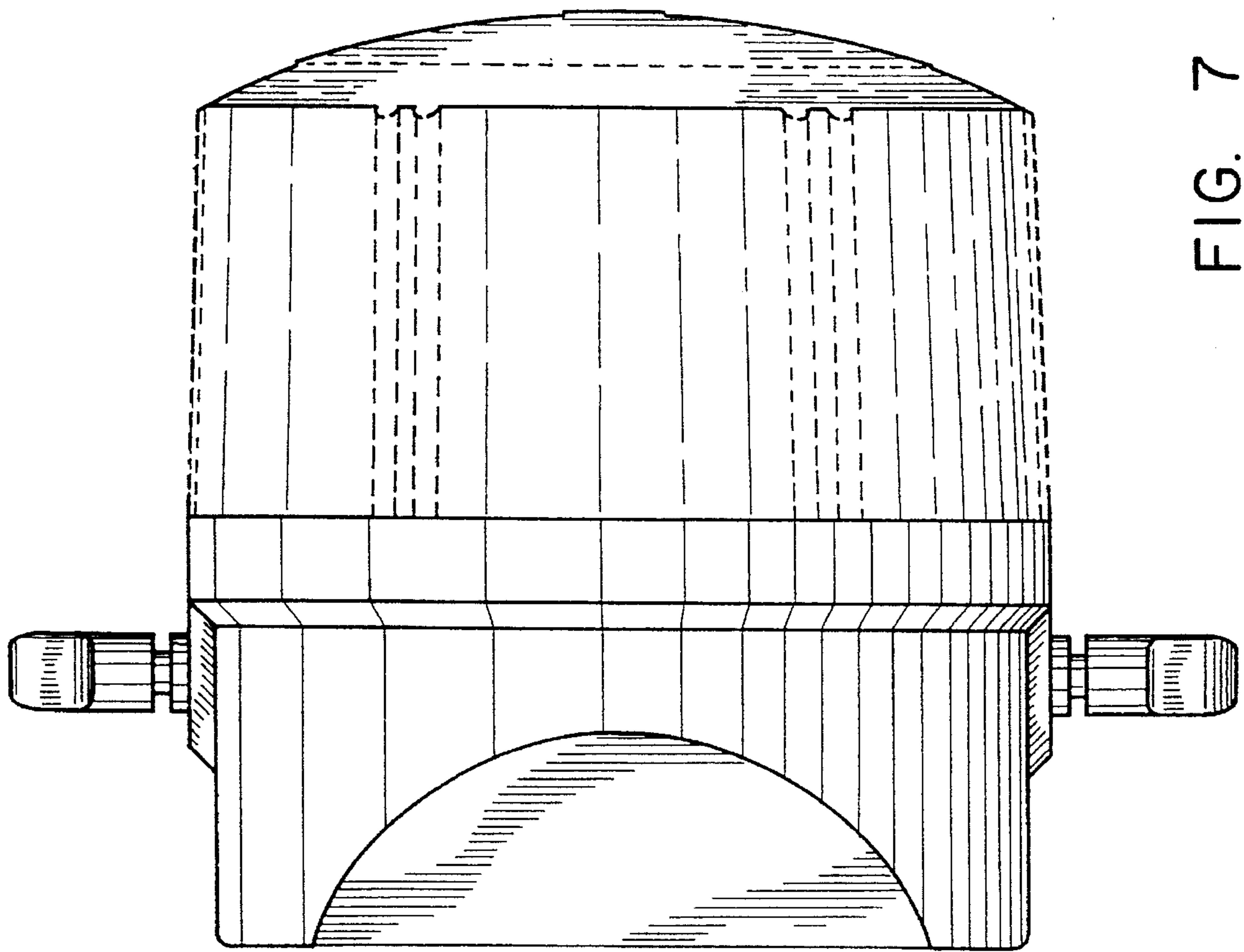


FIG. 7