



US00D365164S

**United States Patent** [19]  
**Yuen**

[11] **Patent Number: Des. 365,164**

[45] **Date of Patent: \*\*Dec. 12, 1995**

[54] **MULTI-PURPOSE SPOTLIGHT**

FOREIGN PATENT DOCUMENTS

[75] Inventor: **John S.-K. Yuen**, Kowloon, Hong Kong

1053689 9/1988 United Kingdom .  
2013728 3/1991 United Kingdom .  
2015683 7/1991 United Kingdom .

[73] Assignee: **John Manufacturing Limited**, Kowloon, Hong Kong

*Primary Examiner*—A. Hugo Word  
*Assistant Examiner*—Robin V. Taylor  
*Attorney, Agent, or Firm*—Fay, Sharpe, Beall, Fagan, Minnich & McKee

[\*\*] Term: **14 Years**

[21] Appl. No.: **22,559**

[57] **CLAIM**

[22] Filed: **May 9, 1994**

The ornamental design for a multi-purpose spotlight, as shown and described.

[30] **Foreign Application Priority Data**

**DESCRIPTION**

Nov. 10, 1993 [GB] United Kingdom ..... 2035126

[52] **U.S. Cl.** ..... **D26/48**

[58] **Field of Search** ..... D26/37-50; 362/109, 362/136, 156-158, 163, 171-173, 178, 181-183, 188-189, 192, 194, 196-197, 200-206, 257, 261-262

FIG. 1 is a top, front and right side perspective view of a multi-purpose spotlight showing my new design, with the top in open position;

FIG. 2 is a top plan view;

FIG. 3 is a bottom plan view thereof;

FIG. 4 is a front elevational view thereof, with the top in closed position;

FIG. 5 is a rear elevational view thereof; and,

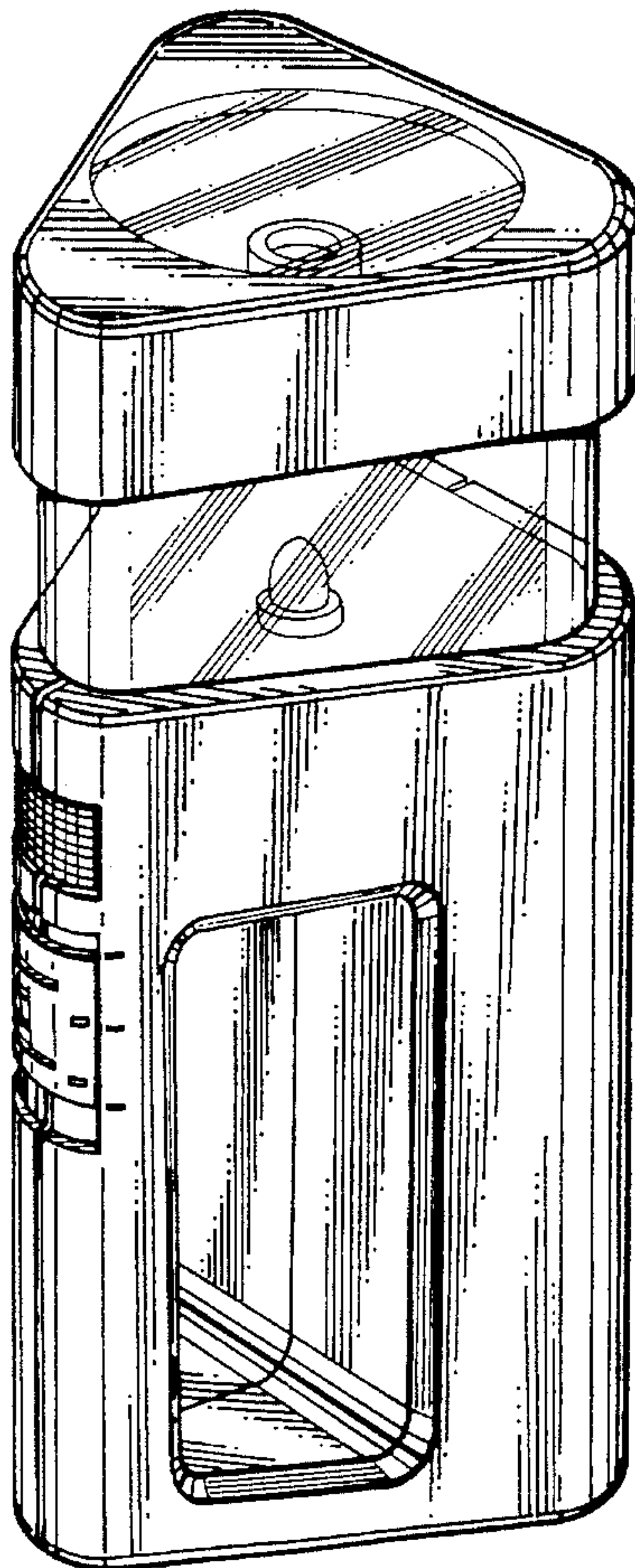
FIG. 6 is a left side elevational view, the right side being a mirror image thereof.

[56] **References Cited**

**U.S. PATENT DOCUMENTS**

D. 208,255 5/1990 Emmerling ..... D26/46  
D. 251,267 3/1979 Zelina ..... D26/42  
D. 256,061 7/1980 Zelina ..... D26/50  
D. 325,787 4/1992 Wan ..... D26/48  
4,605,993 8/1986 Zelina ..... 362/183

**1 Claim, 2 Drawing Sheets**



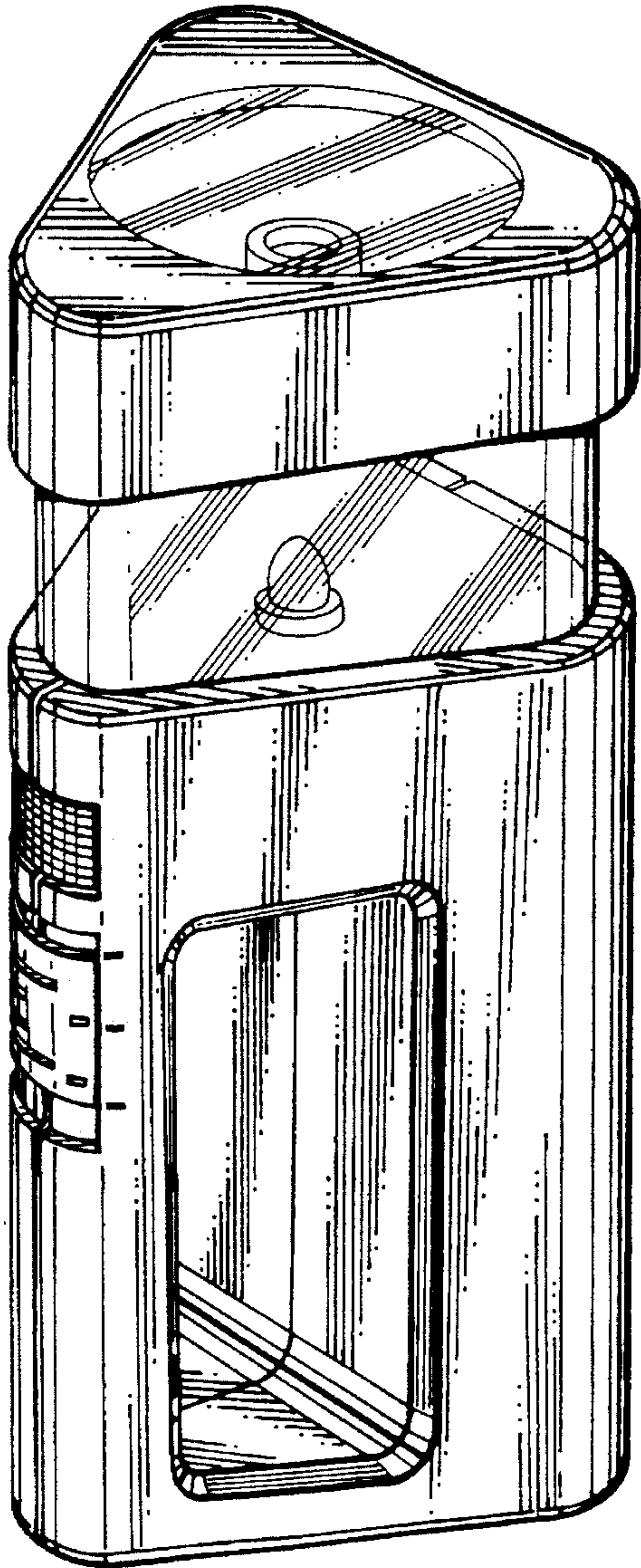


FIG. 1

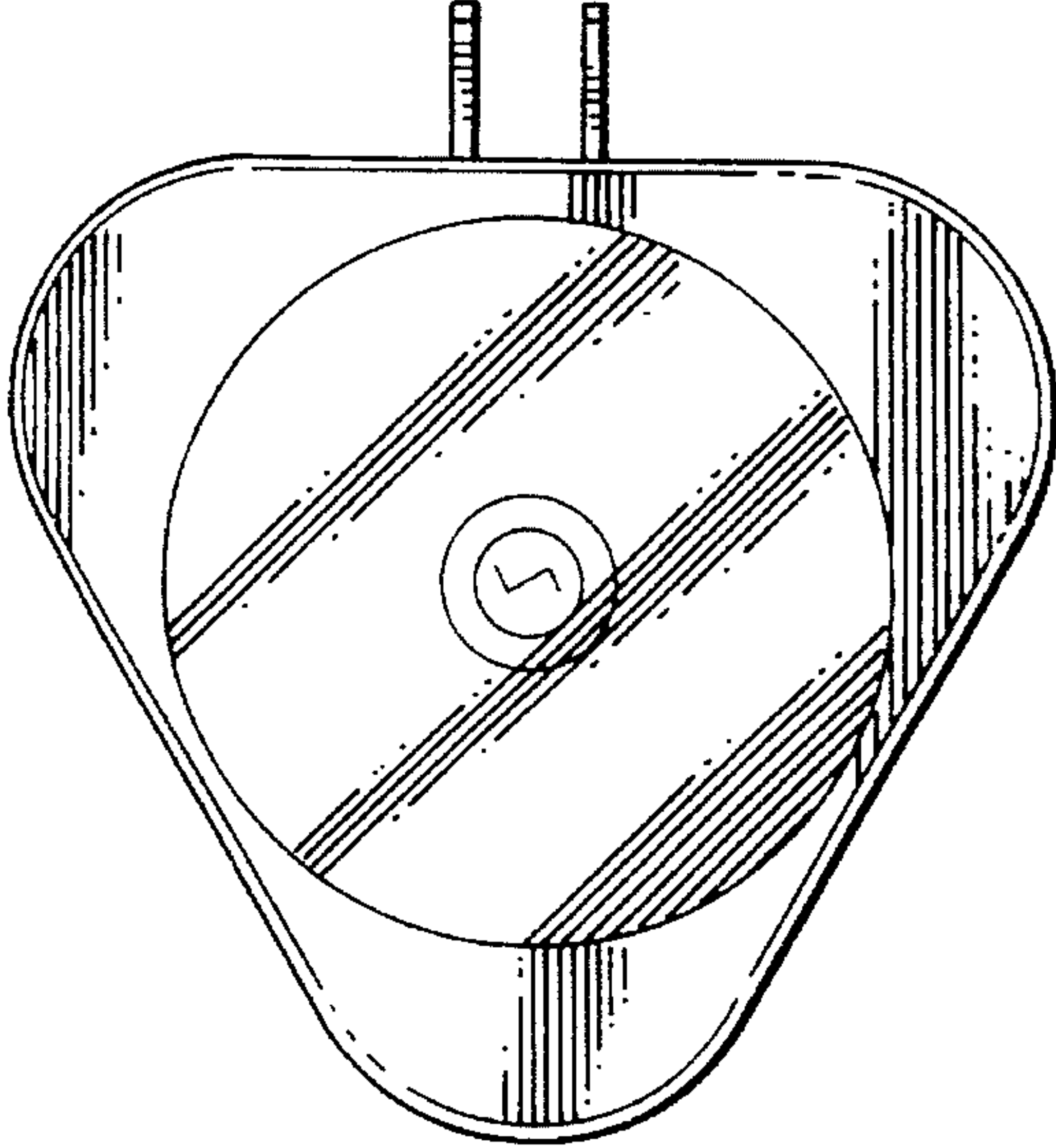


FIG. 2

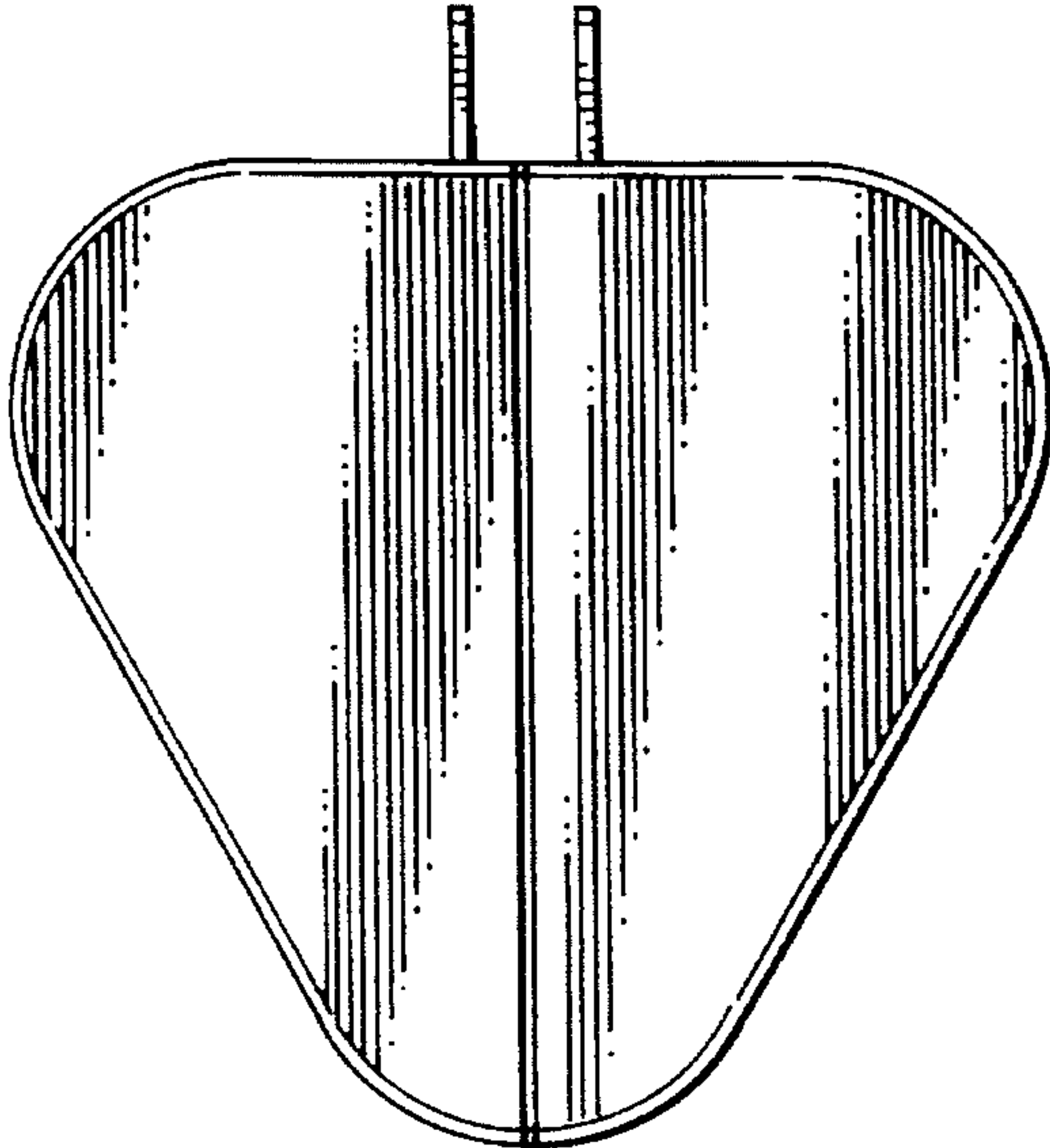


FIG. 3

FIG. 6

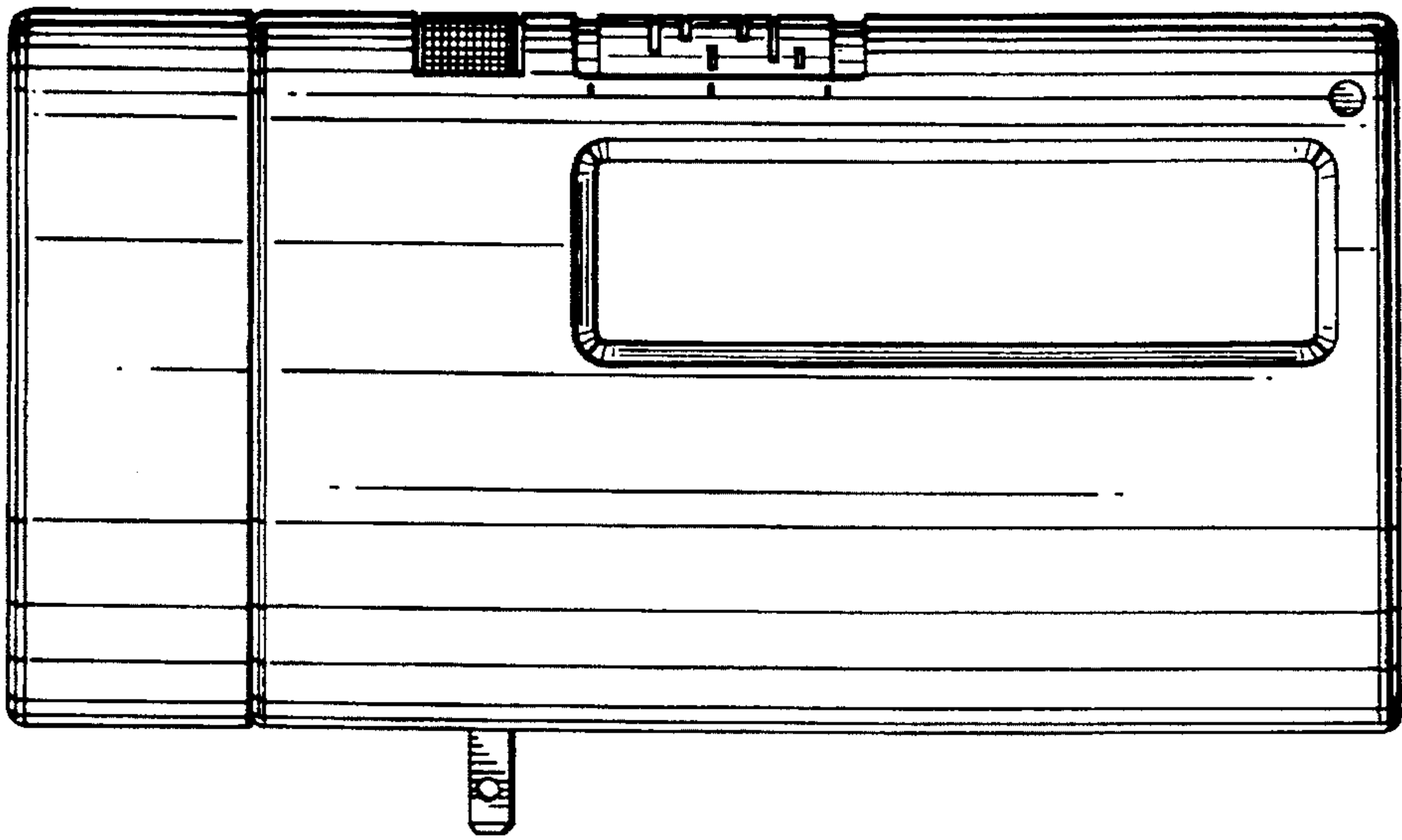


FIG. 5

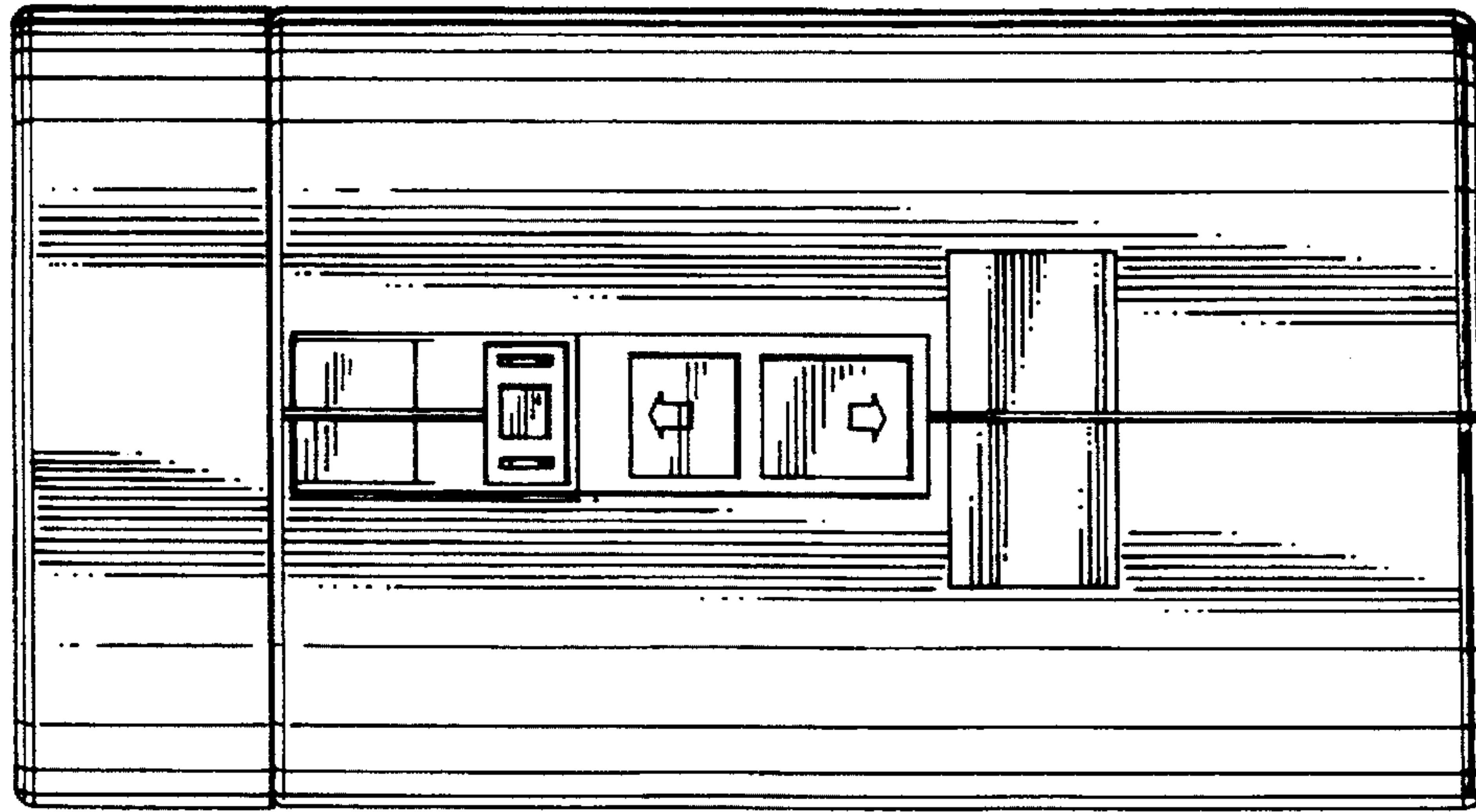


FIG. 4

