



US00D365162S

United States Patent [19]

Tsushi

[11] Patent Number: **Des. 365,162**

[45] Date of Patent: ****Dec. 12, 1995**

[54] **HEAD LAMP FOR A BICYCLE**

D. 344,148 2/1994 Yuen D26/28
D. 346,231 4/1994 Zai D26/28

[75] Inventor: **Masao Tsushi**, Sakai, Japan

[73] Assignee: **Cateye Co., Ltd.**, Osaka, Japan

[**] Term: **14 Years**

Primary Examiner—A. Hugo Word
Assistant Examiner—Marcus Jackson
Attorney, Agent, or Firm—Banner & Allegretti, Ltd.

[21] Appl. No.: **26,073**

[22] Filed: **Jul. 19, 1994**

[57] **CLAIM**

The ornamental design for a head lamp for a bicycle, as shown and described.

[30] **Foreign Application Priority Data**

DESCRIPTION

Mar. 29, 1994 [JP] Japan 6-8665

[52] U.S. Cl. **D26/28**

[58] **Field of Search** D26/28-36, 37-50;
362/183, 184, 185, 186, 187, 188, 189,
190, 192, 193, 195, 197, 200, 201, 202

FIG. 1 is a front view of a head lamp for a bicycle showing my new design;
FIG. 2 is a rear view thereof;
FIG. 3 is a top plan view thereof;
FIG. 4 is a bottom plan view thereof;
FIG. 5 is a left side view thereof;
FIG. 6 is a right side view thereof; and,
FIG. 7 is a front perspective view thereof.

[56] **References Cited**

U.S. PATENT DOCUMENTS

D. 295,324 4/1988 Drane D26/28

1 Claim, 2 Drawing Sheets

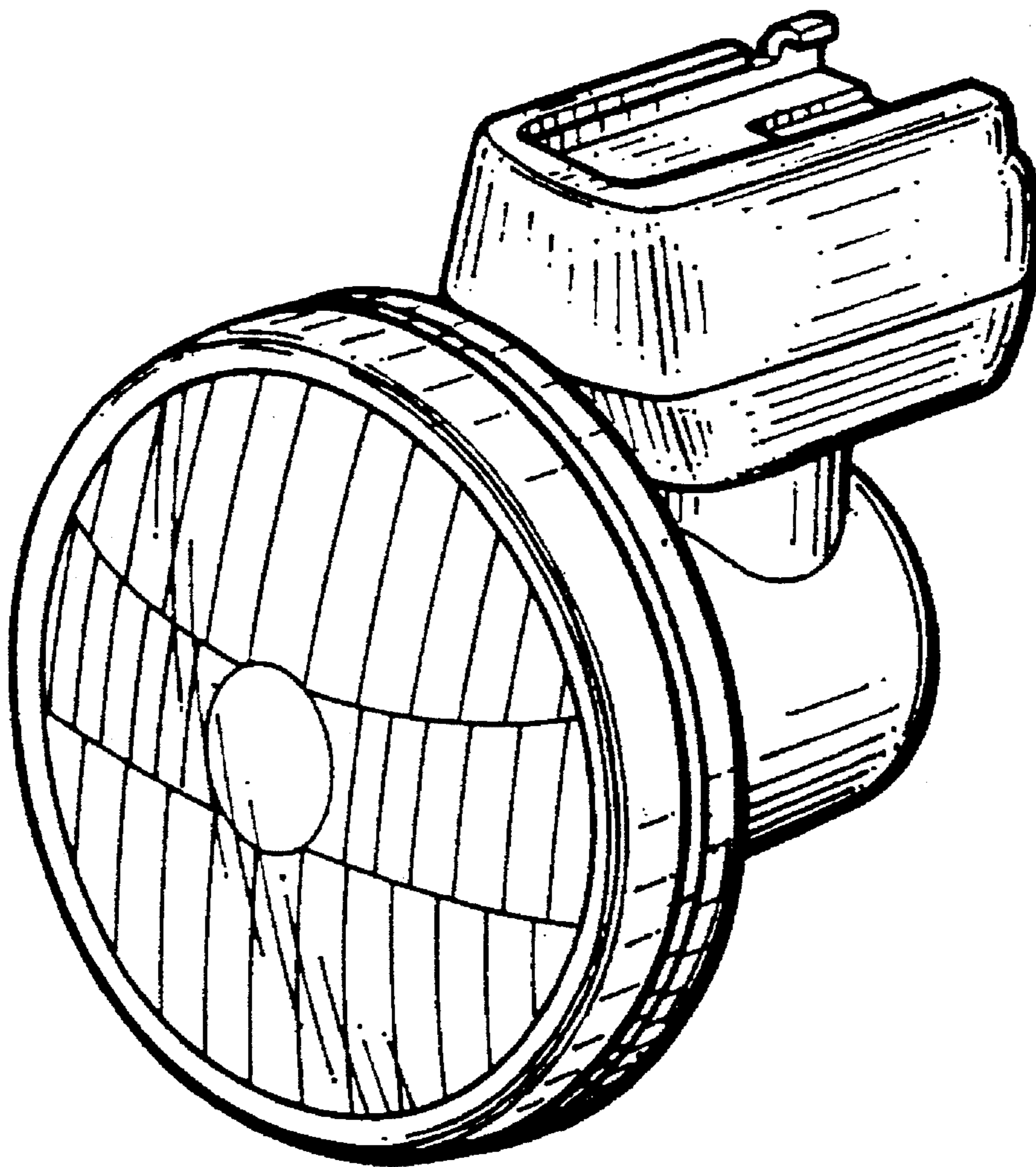


FIG. 1

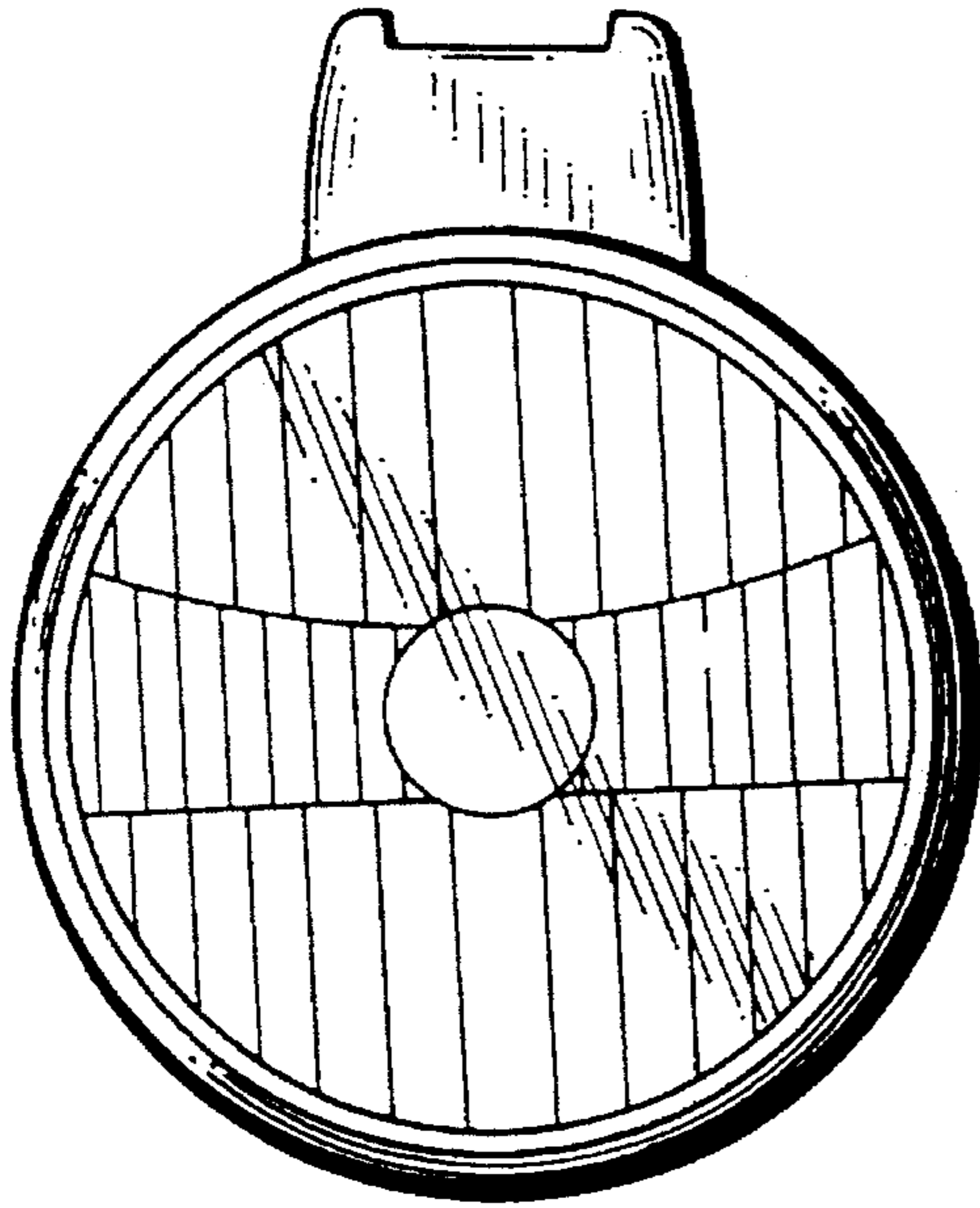


FIG. 2

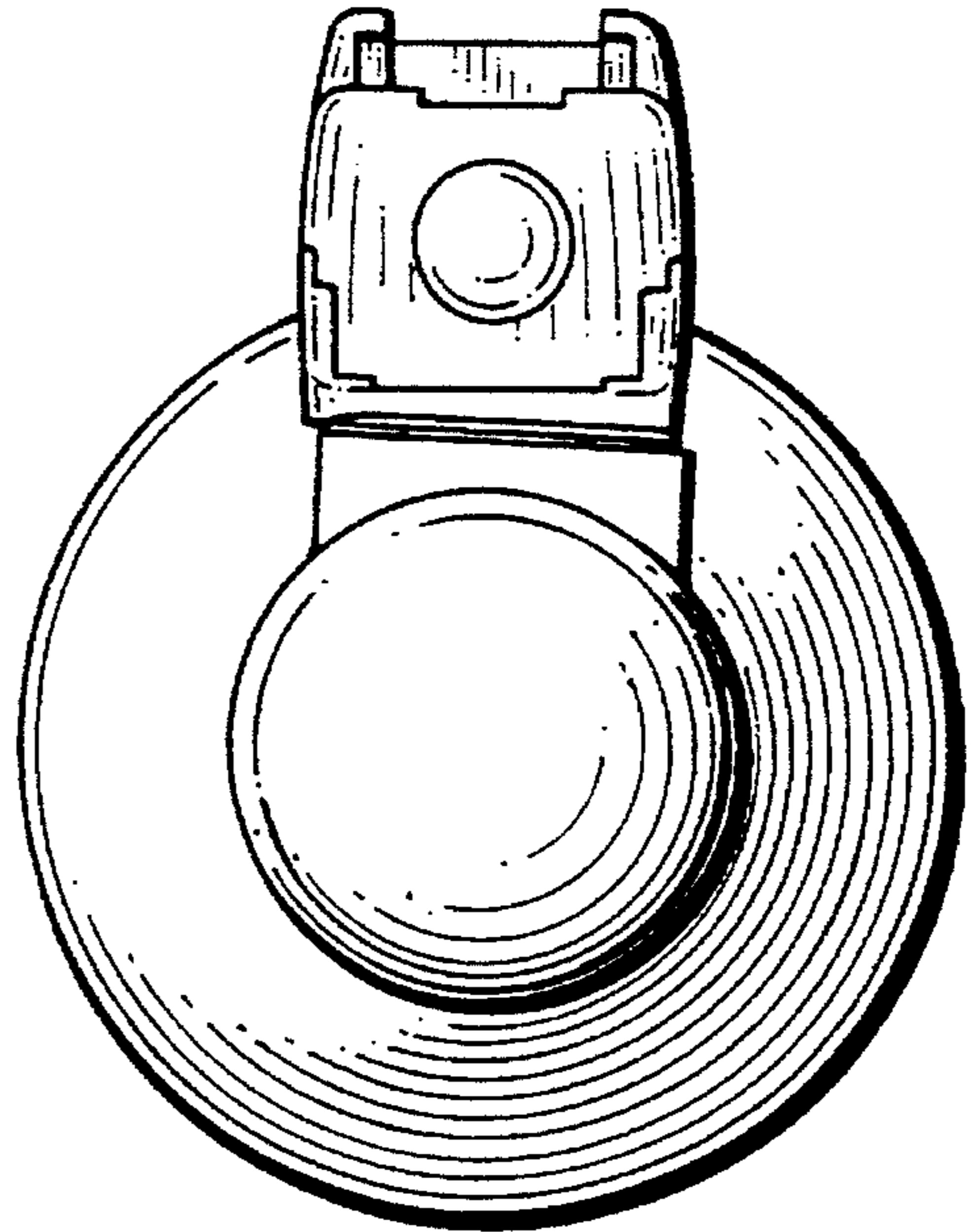


FIG. 3

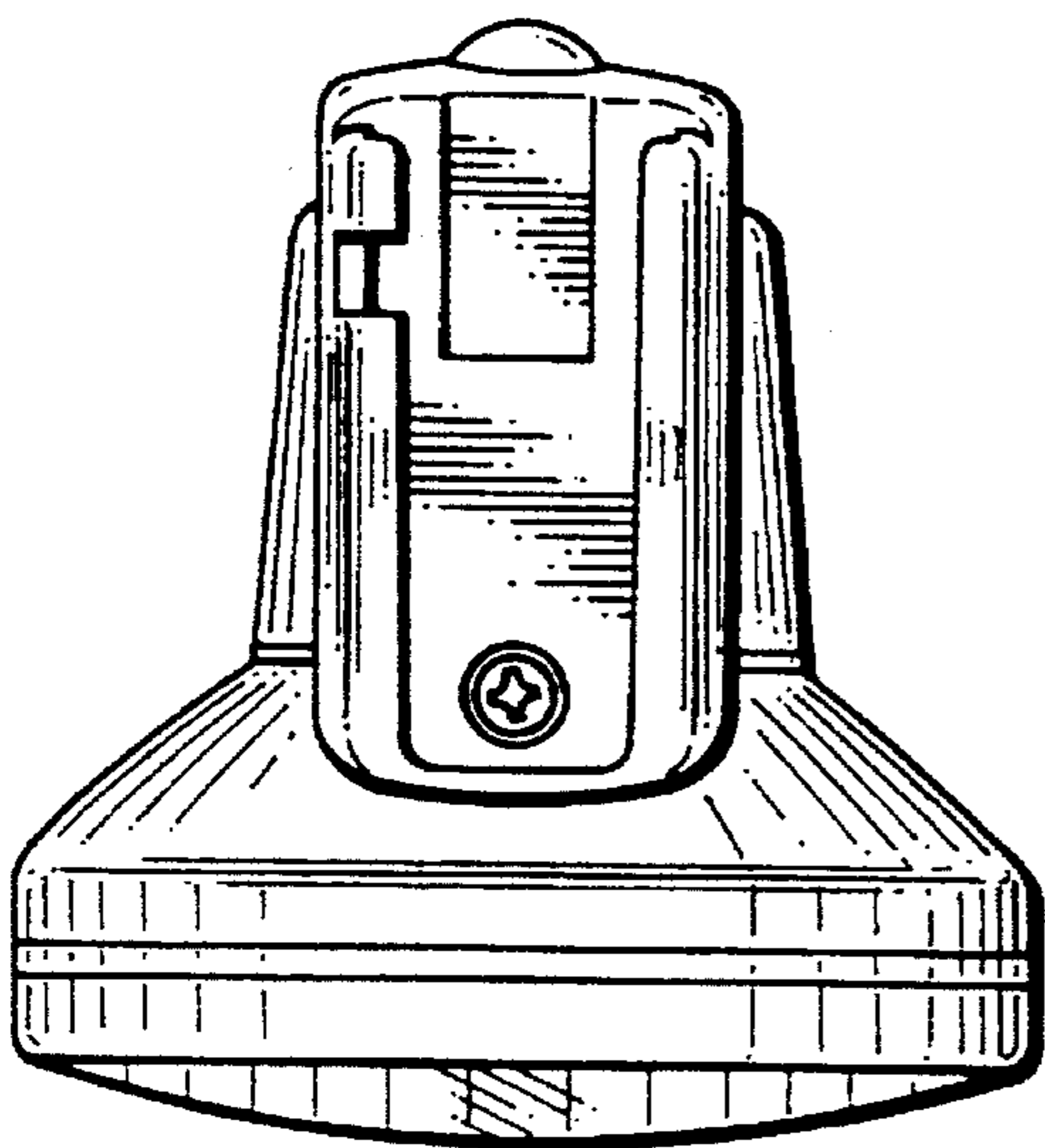


FIG. 4

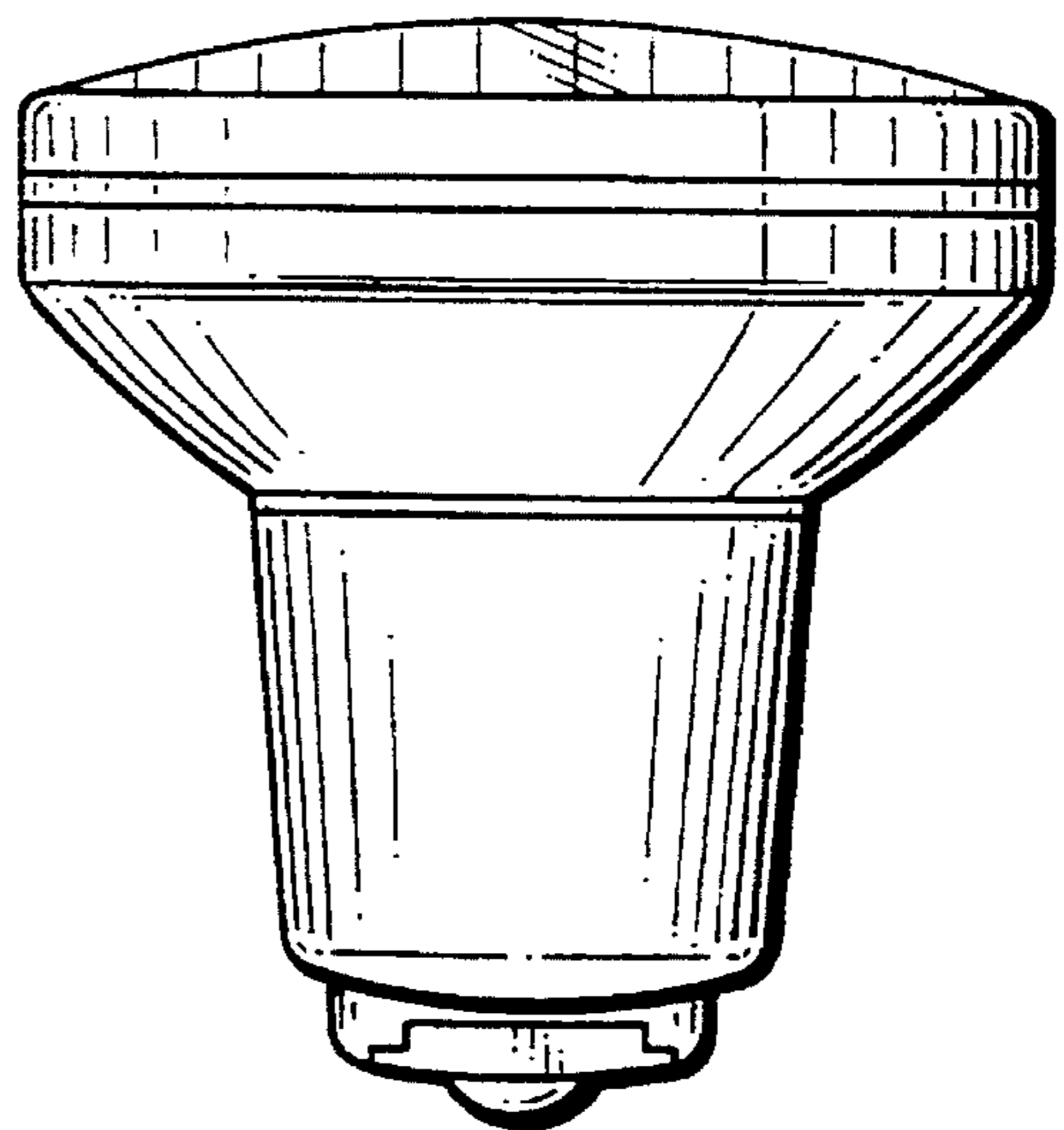


FIG. 5

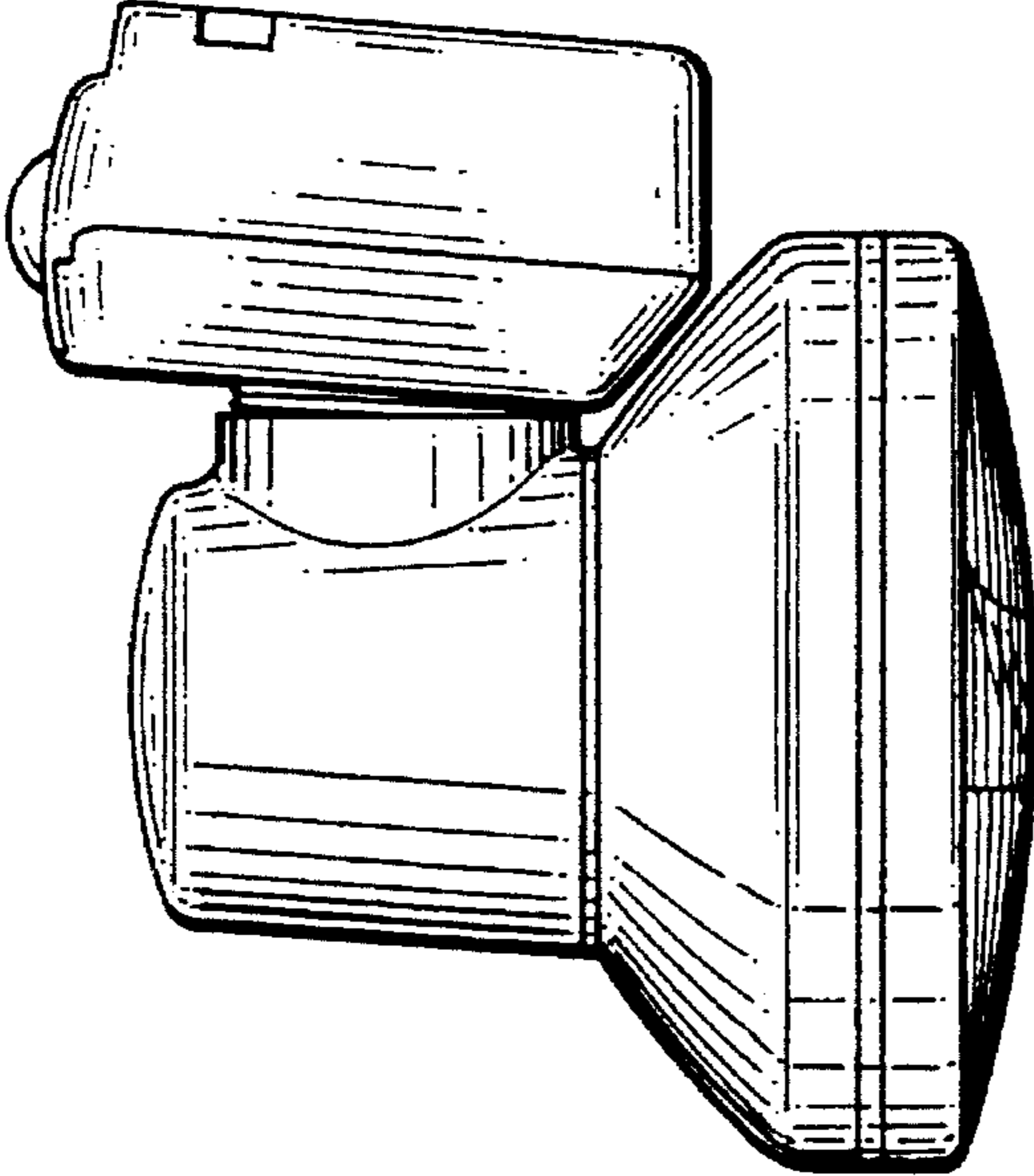


FIG. 6

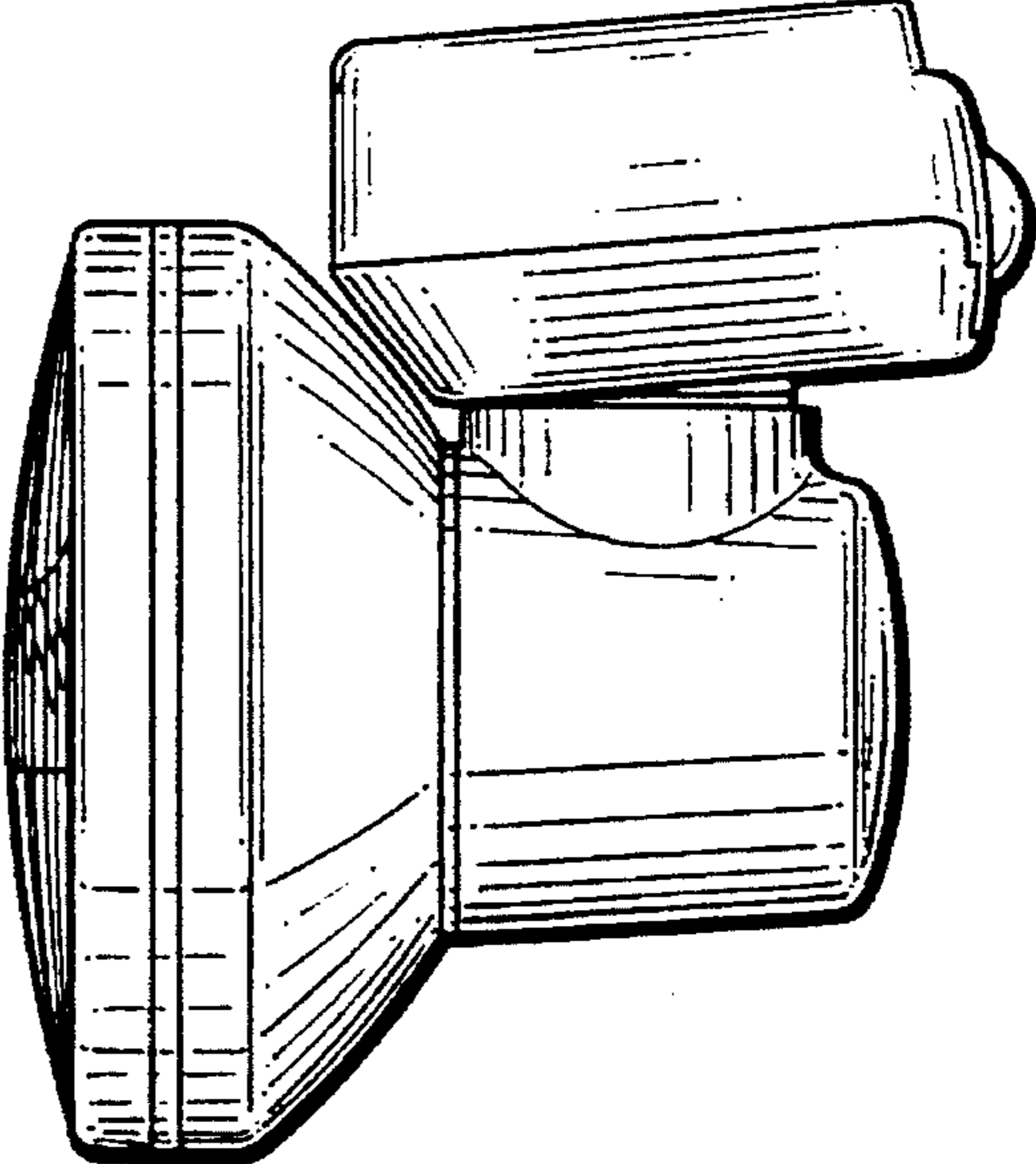


FIG. 7

