



US00D365161S

United States Patent [19]

[11] Patent Number: **Des. 365,161**

Margarida

[45] Date of Patent: ****Dec. 12, 1995**

[54] **CEILING TILE ORNAMENTATION**

4,900,604 2/1990 Martinez et al. 428/187

[76] Inventor: **Roland G. Margarida**, 46 Dover St.,
Fall River, Mass. 02721-2768

Primary Examiner—Doris Clark
Attorney, Agent, or Firm—David L. Baker; Rhodes &
Ascolillo

[**] Term: **14 Years**

[57] **CLAIM**

[21] Appl. No.: **28,939**

The ornamental design for a ceiling tile ornamentation, as
shown and described.

[22] Filed: **Sep. 26, 1994**

[52] U.S. Cl. **D25/145**

DESCRIPTION

[58] **Field of Search** D25/145, 147,
D25/152, 136, 138, 58; 52/311.2, 314,
506.06; 428/187, 190, 79, 206

FIG. 1 is a front elevational view;
FIG. 2 is a rear elevational view;
FIG. 3 is a top plan view;
FIG. 4 is a left side elevational view;
FIG. 5 is a right side elevational view; and,
FIG. 6 is a bottom plan view.

[56] **References Cited**

U.S. PATENT DOCUMENTS

183,369	10/1876	Cleary	52/311.2
D. 340,998	11/1993	Goodman	D25/145
947,290	1/1910	Bates	52/311.2

1 Claim, 2 Drawing Sheets

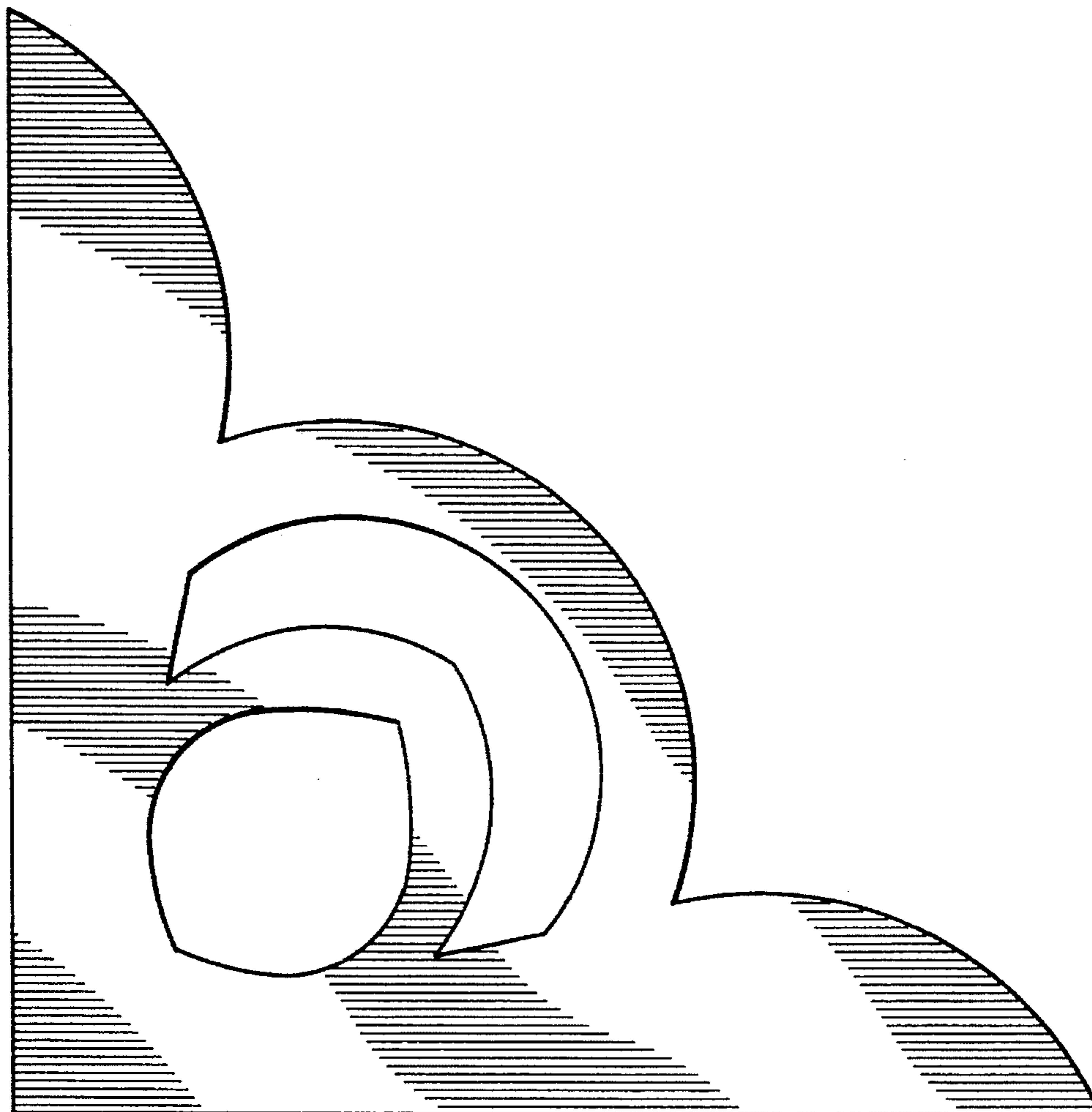


FIG. 1

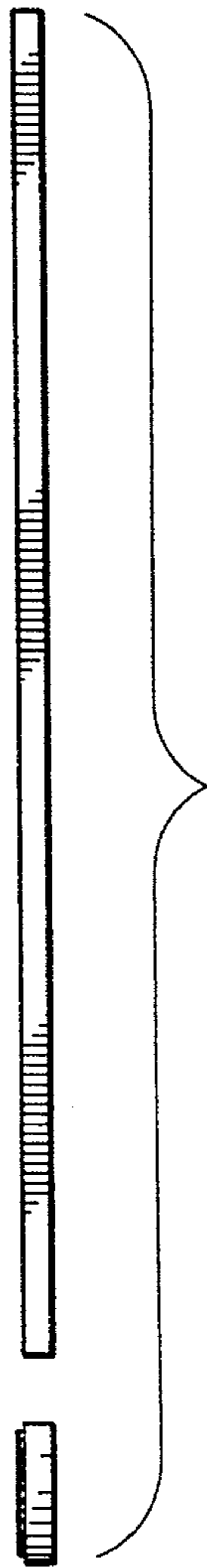
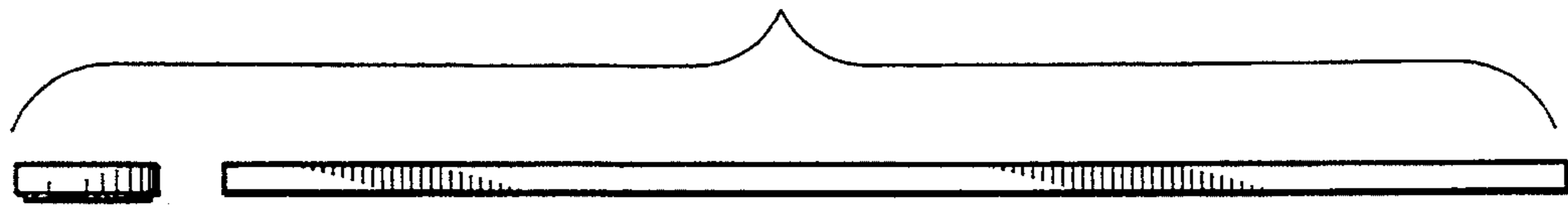


FIG. 5

FIG. 4

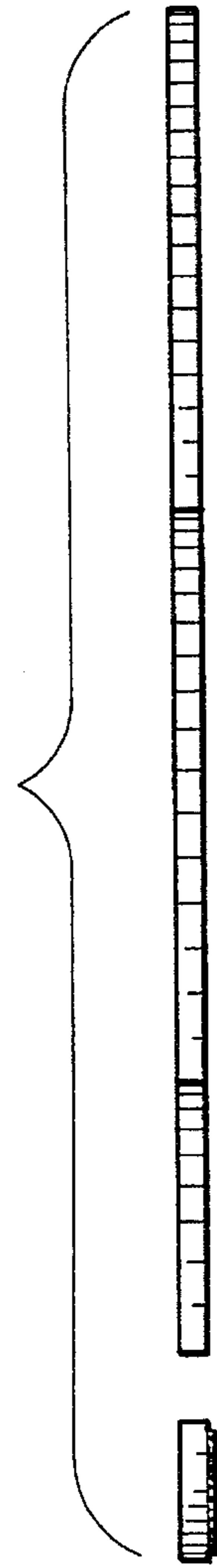


FIG. 2

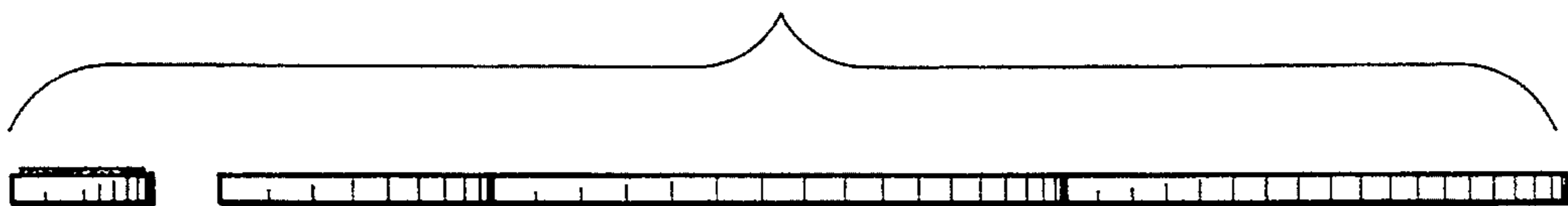


FIG. 3

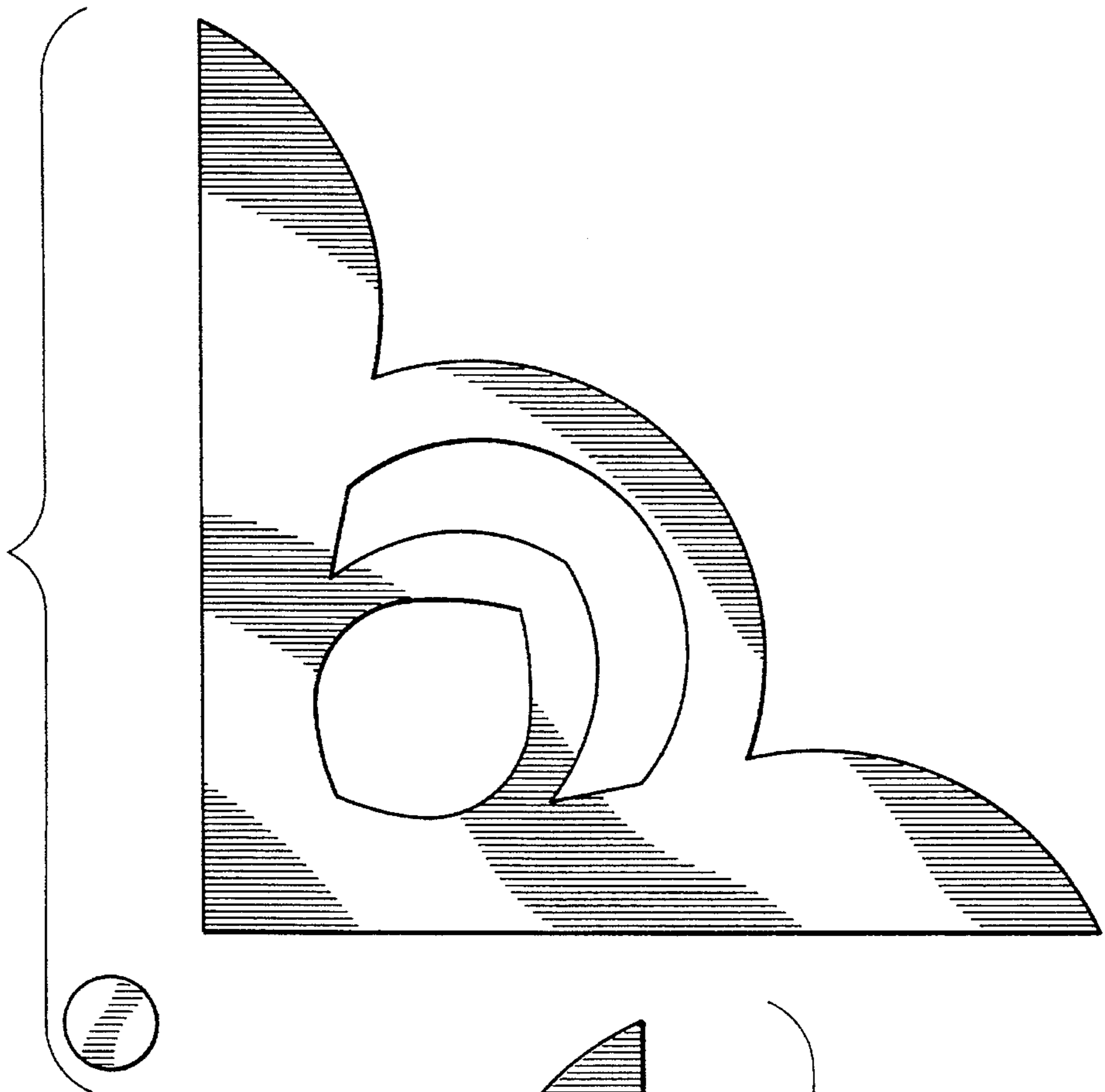


FIG. 6

