



US00D365156S

# United States Patent [19] Strickler

[11] Patent Number: **Des. 365,156**

[45] Date of Patent: **\*\*Dec. 12, 1995**

[54] FOOT HOLD ATTACHMENT

4,911,265 3/1990 Skaggs .

[76] Inventor: **Anthony C. Strickler**, 1079 St. Francis,  
Modesto, Calif. 95356

*Primary Examiner*—Doris Clark

[\*\*] Term: **14 Years**

[57] **CLAIM**

The ornamental design for the foot hold attachment, as shown and described.

[21] Appl. No.: **18,771**

### DESCRIPTION

[22] Filed: **Feb. 16, 1994**

[52] U.S. Cl. .... **D25/68**

[58] Field of Search ..... D25/62, 68; 182/54,  
182/56, 117, 120-122; 248/238

FIG. 1 is a front elevational view of the foot holder attachment showing my new design, the broken line showing of a portion of a ladder for illustrative purposes only forming no part of the claimed design;

FIG. 2 is a rear elevational view thereof;

FIG. 3 is a left side elevational view thereof;

FIG. 4 is a right side elevational view thereof;

FIG. 5 is a top plan view thereof;

FIG. 6 is a bottom plan view thereof; and,

FIG. 7 is a perspective view showing a use thereof, with the broken line showing of the ladder for illustrative purposes and forming no part of the claimed design.

[56] **References Cited**

#### U.S. PATENT DOCUMENTS

D. 343,907	2/1994	Porter .....	D25/68
3,276,543	10/1966	Kanozle .....	182/122
3,332,514	7/1967	Hornung .....	182/122
4,496,025	1/1985	Gattman .....	182/121
4,696,373	9/1987	Page .	
4,800,988	1/1989	Dunmore .	
4,901,818	2/1990	Schmitt .	

**1 Claim, 4 Drawing Sheets**

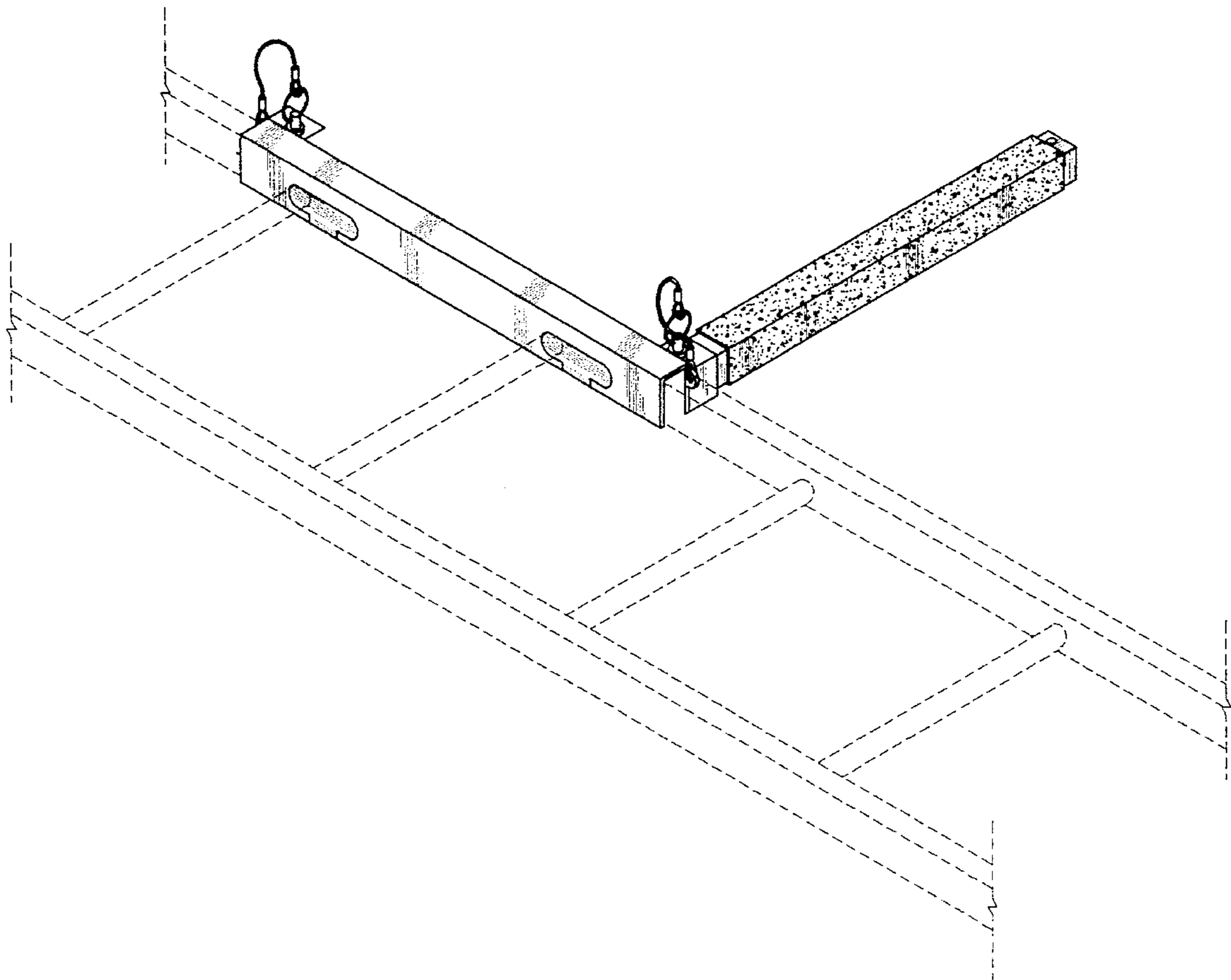


FIG. 1

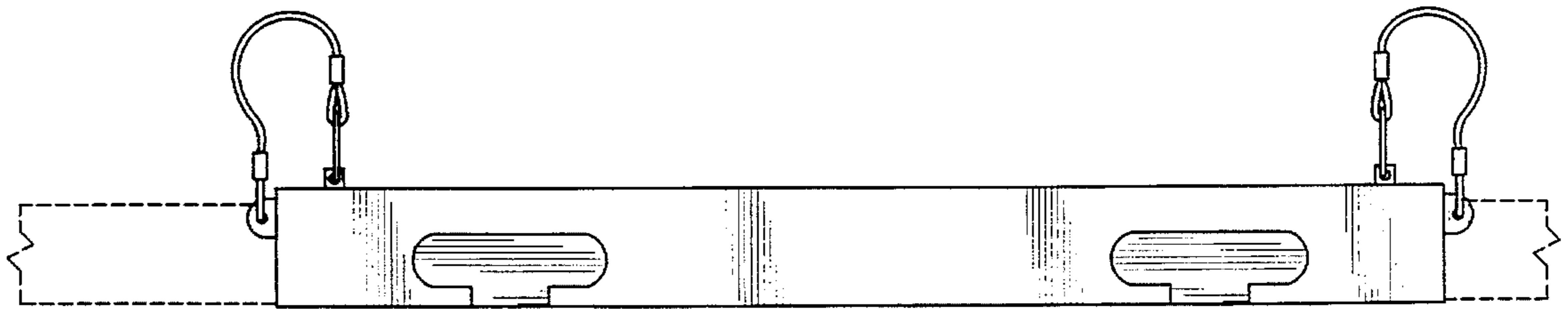


FIG. 2

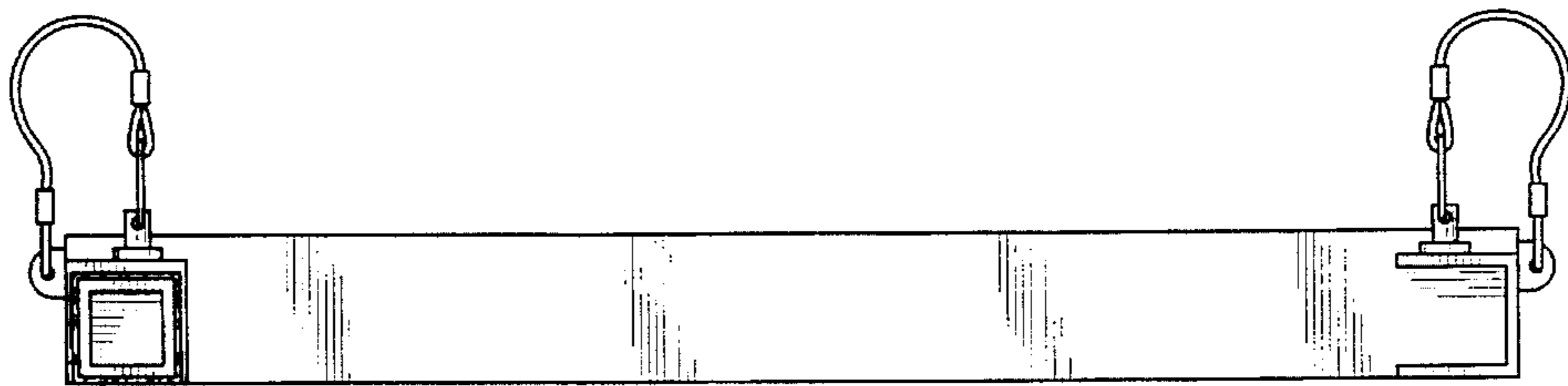


FIG. 3



FIG. 4

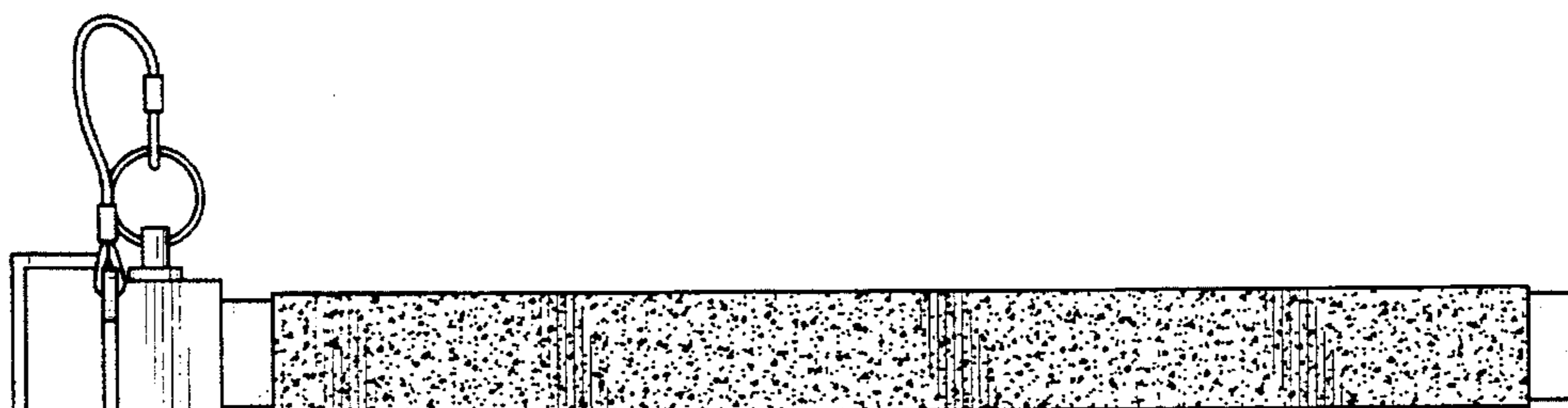


FIG. 5

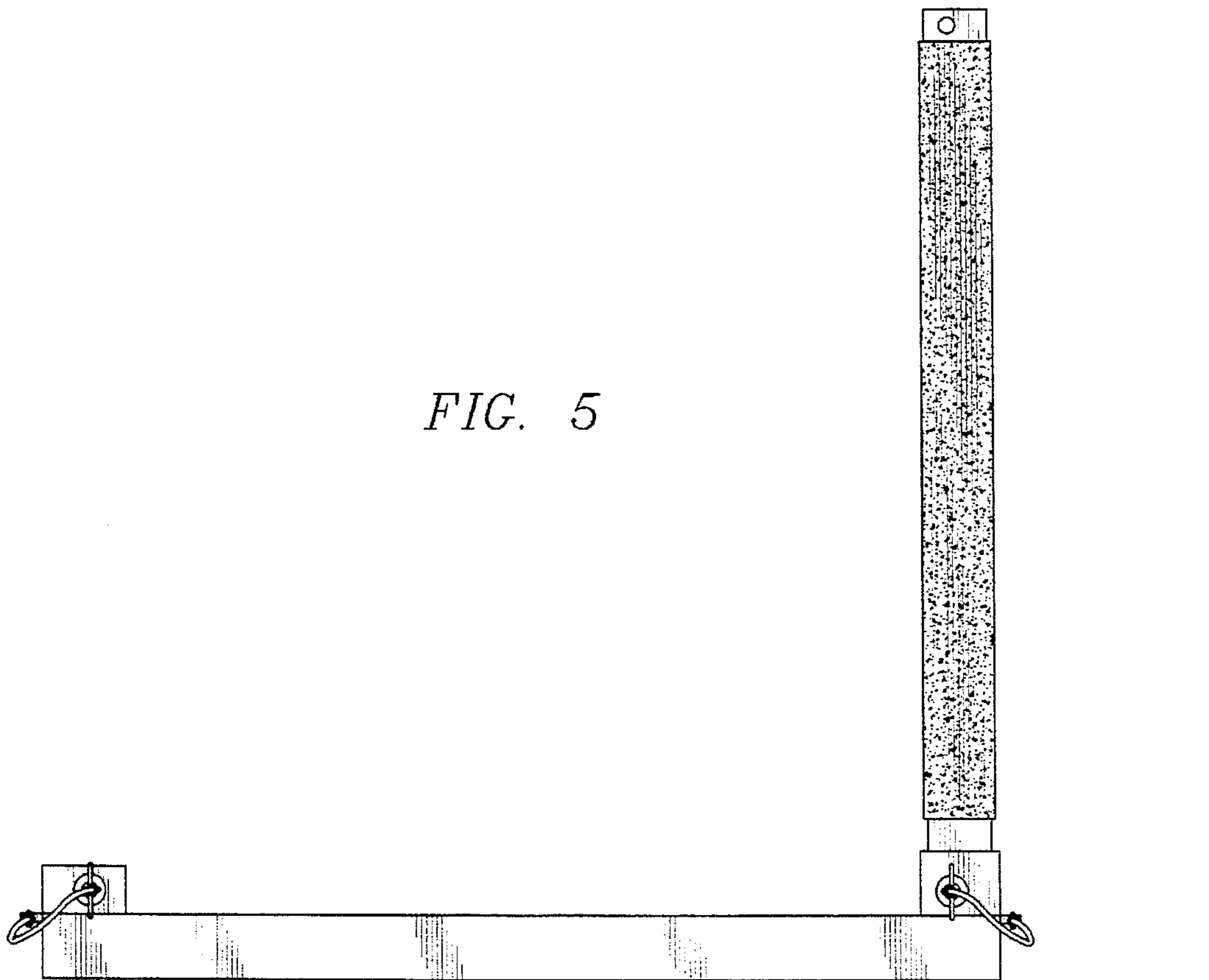


FIG. 6

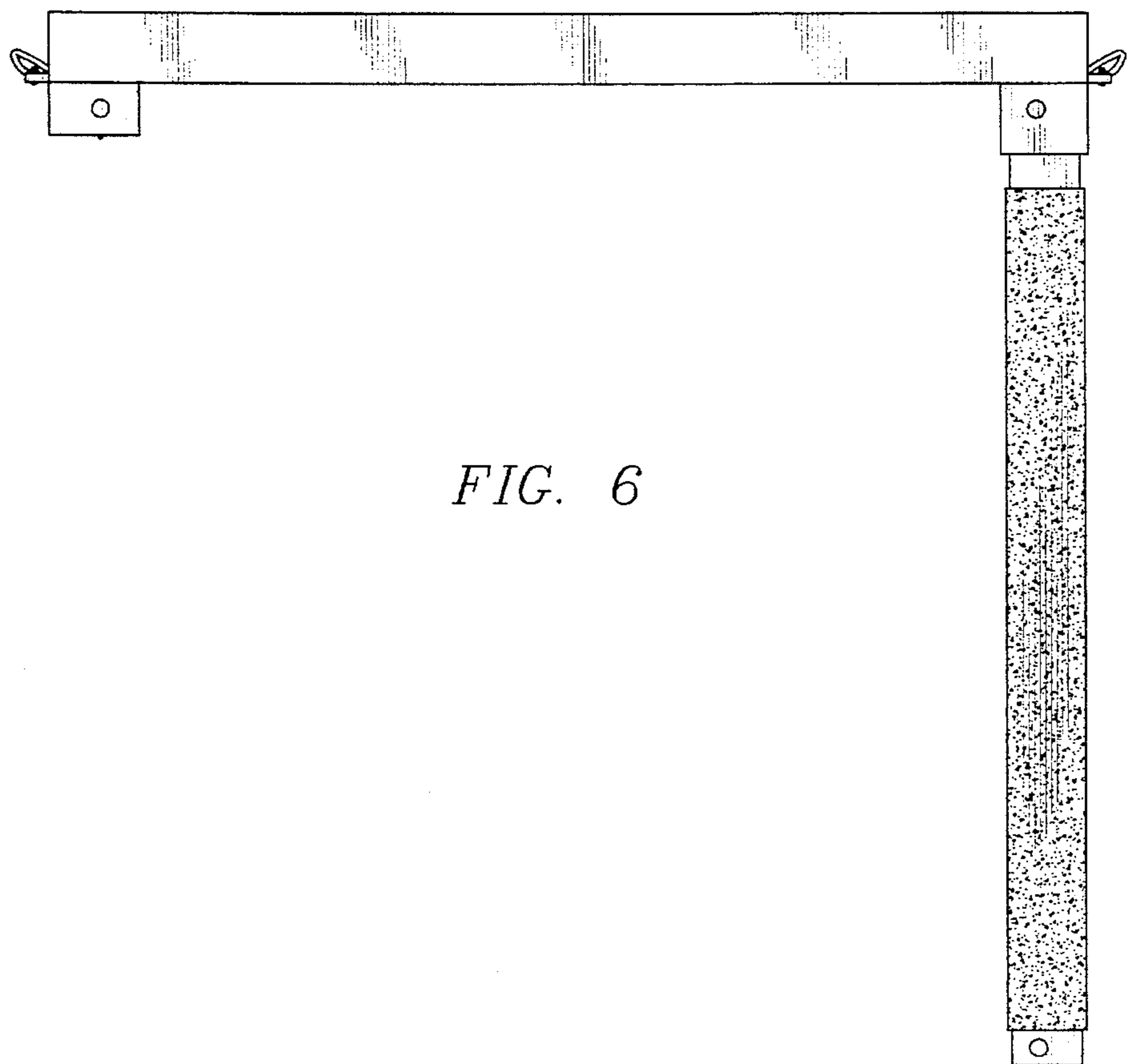


FIG. 7

