



US00D365153S

# United States Patent [19]

[11] Patent Number: **Des. 365,153**

**Robertson, Jr.**

[45] Date of Patent: **\*\*Dec. 12, 1995**

[54] **REAGENT CARRIER**

[75] Inventor: **Charles W. Robertson, Jr.**, Rockland, Del.

[73] Assignee: **E. I. Du Pont de Nemours and Company**, Wilmington, Del.

[\*\*] Term: **14 Years**

[21] Appl. No.: **14,713**

[22] Filed: **Oct. 29, 1993**

[52] U.S. Cl. .... **D24/224**

[58] Field of Search ..... D24/224, 226, D24/229; 422/63, 62, 61, 64, 102, 58

D. 335,348	5/1993	Frenkel et al. ....	D24/226 X
D. 337,165	7/1993	Malinoff .....	D24/227
3,476,515	11/1969	Johnson et al. ....	23/230
3,545,935	12/1970	Kearns .....	23/253
3,713,985	1/1973	Astle .....	195/103.5
3,825,410	7/1974	Bagshawe .....	23/230
4,230,664	10/1980	Cais .....	422/61
4,396,717	8/1983	Fiebig et al. ....	435/301
4,608,231	8/1986	Witty et al. ....	422/61
4,675,299	6/1987	Witty et al. ....	436/165

*Primary Examiner*—Louis S. Zarfaz  
*Assistant Examiner*—I. Simmons

[57] **CLAIM**

The ornamental design for a reagent carrier, as shown and described.

[56] **References Cited**

**U.S. PATENT DOCUMENTS**

D. 248,315	2/1976	Blaisdell et al. ....	D24/1
D. 252,783	3/1977	Rizzato .....	D6/95
D. 260,428	8/1981	Fekete .....	D24/226
D. 266,589	10/1982	Gilfurd et al. ....	D24/226
D. 273,987	5/1984	Holen et al. ....	D24/17
D. 273,988	8/1985	Kiraly .....	D24/31
D. 280,298	8/1985	Hafer et al. ....	D9/434
D. 282,005	12/1985	Käyhkö .....	D24/226
D. 287,632	1/1987	Moore .....	D24/226
D. 290,170	6/1987	Käyhkö .....	D24/226

**DESCRIPTION**

FIG. 1 is a perspective view of a reagent container showing my new design;  
FIG. 2 is a top plan view thereof;  
FIG. 3 is a bottom view thereof;  
FIG. 4 is a right elevation view thereof;  
FIG. 5 is a left elevation view thereof;  
FIG. 6 is a front end view thereof; and,  
FIG. 7 is a back end plan view thereof.

**1 Claim, 4 Drawing Sheets**

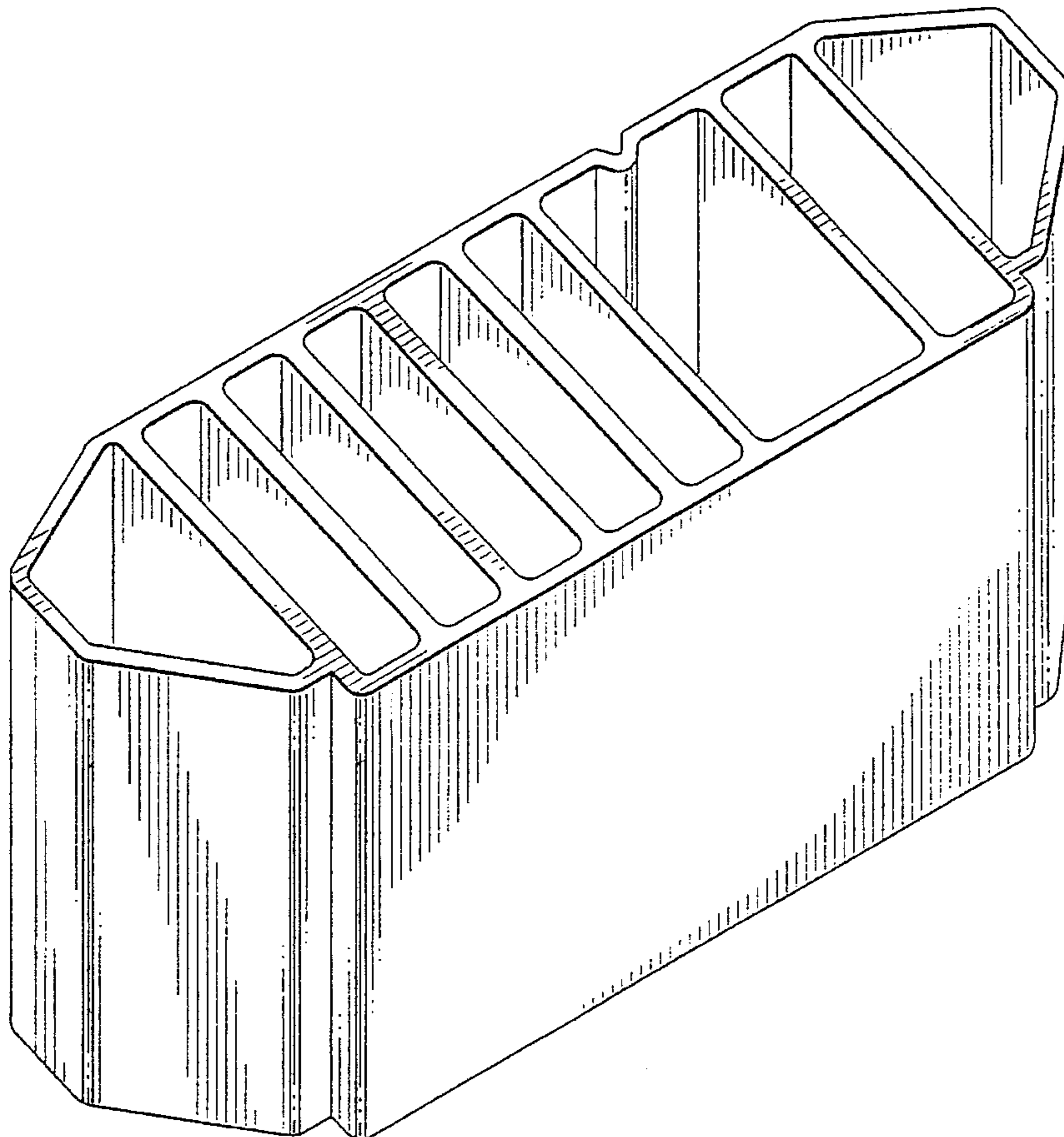


FIG. 1

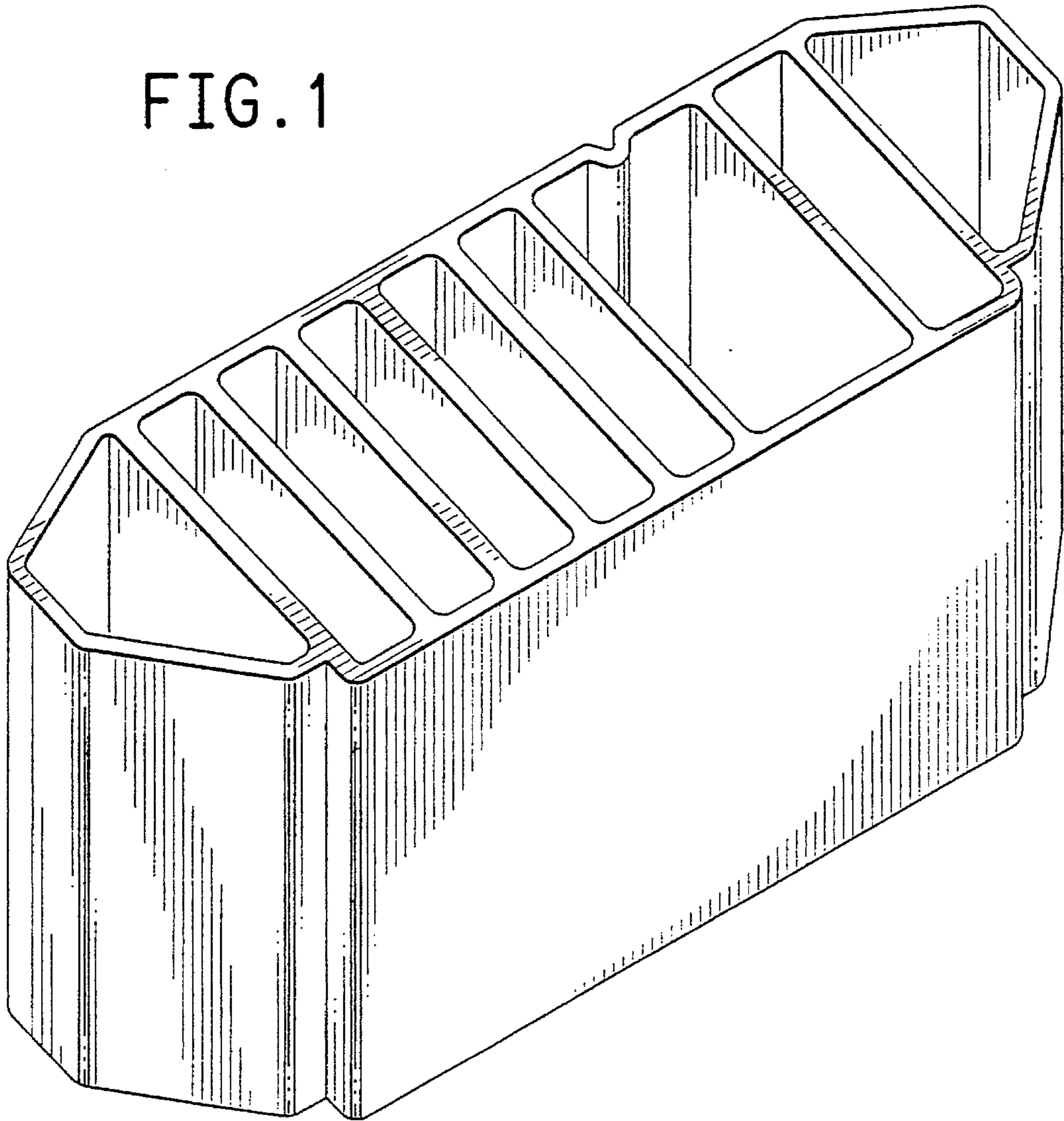


FIG. 2

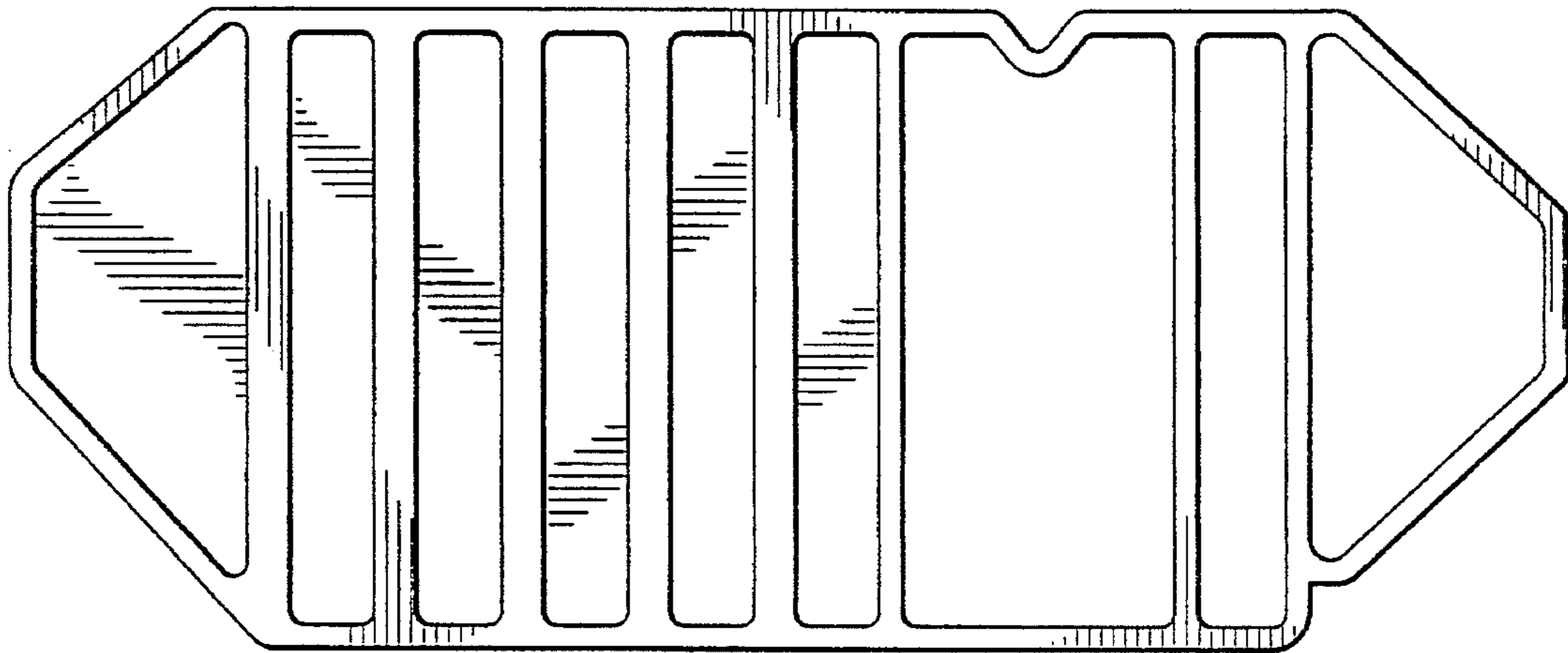


FIG. 3

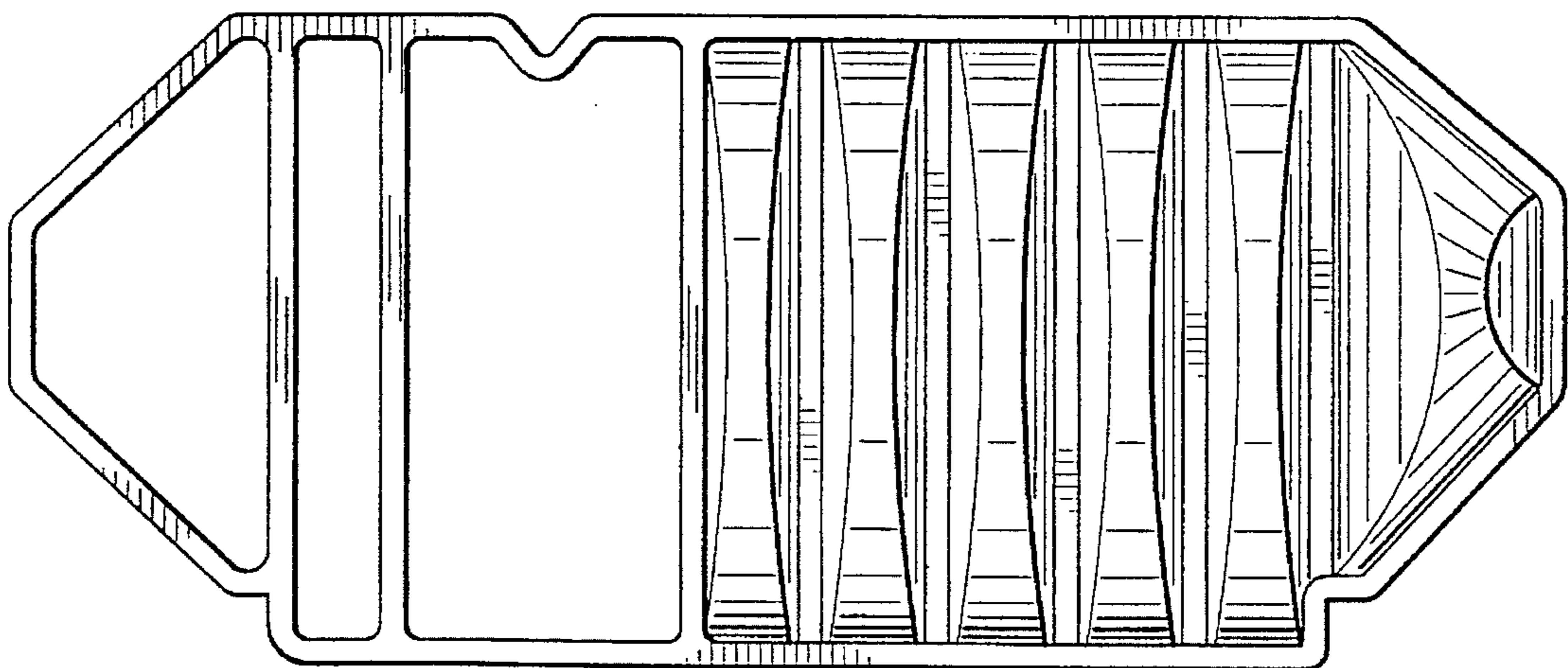


FIG. 4

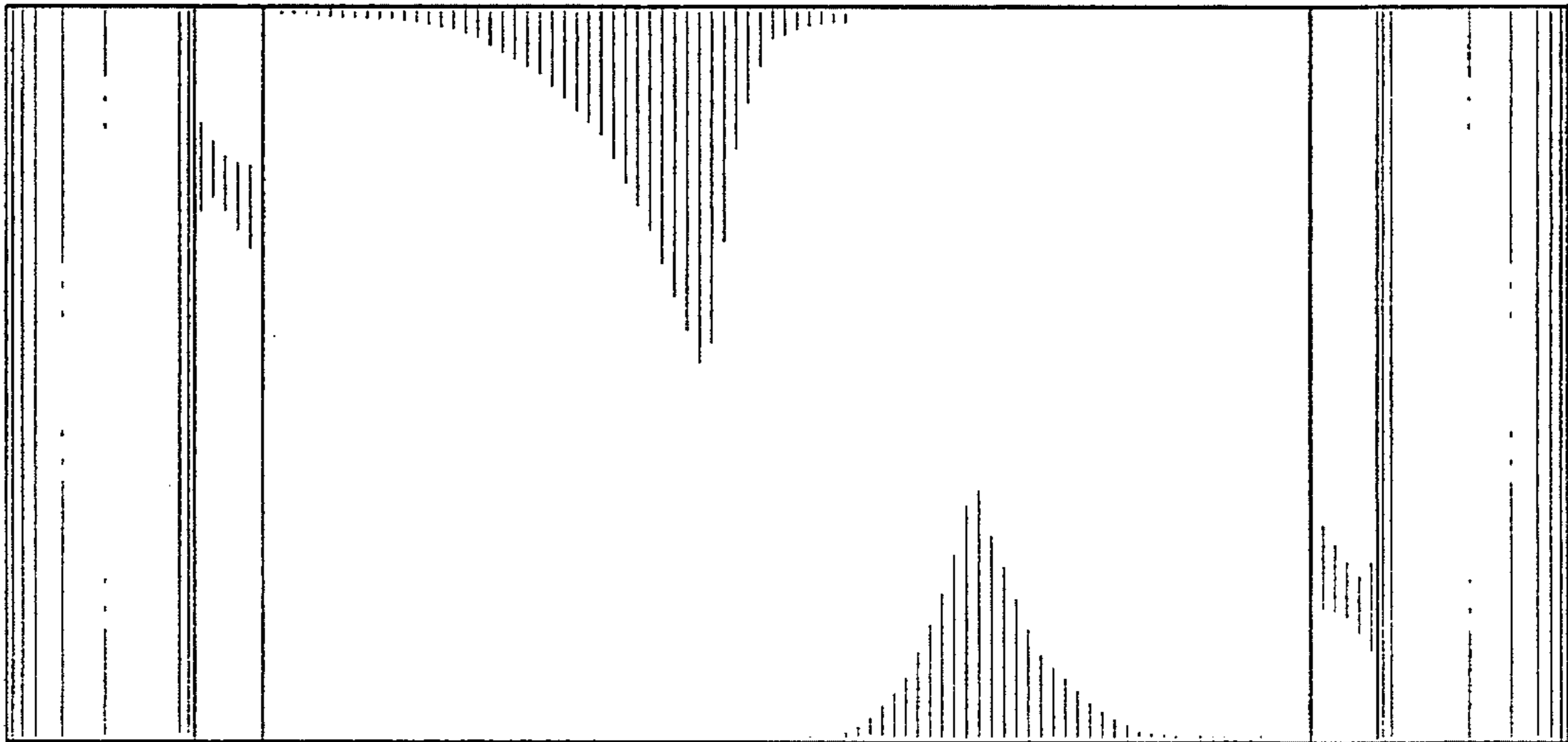


FIG. 5

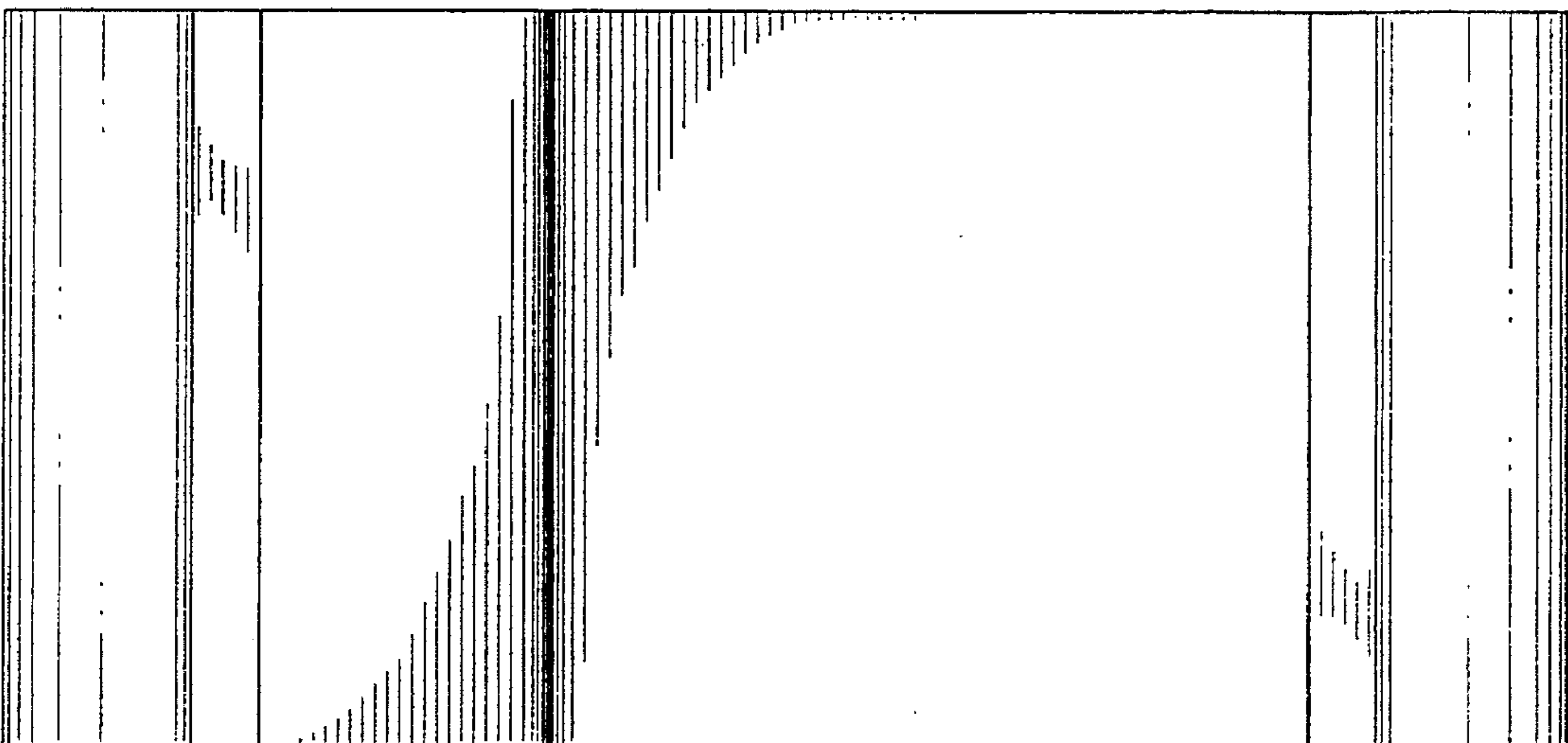


FIG. 6

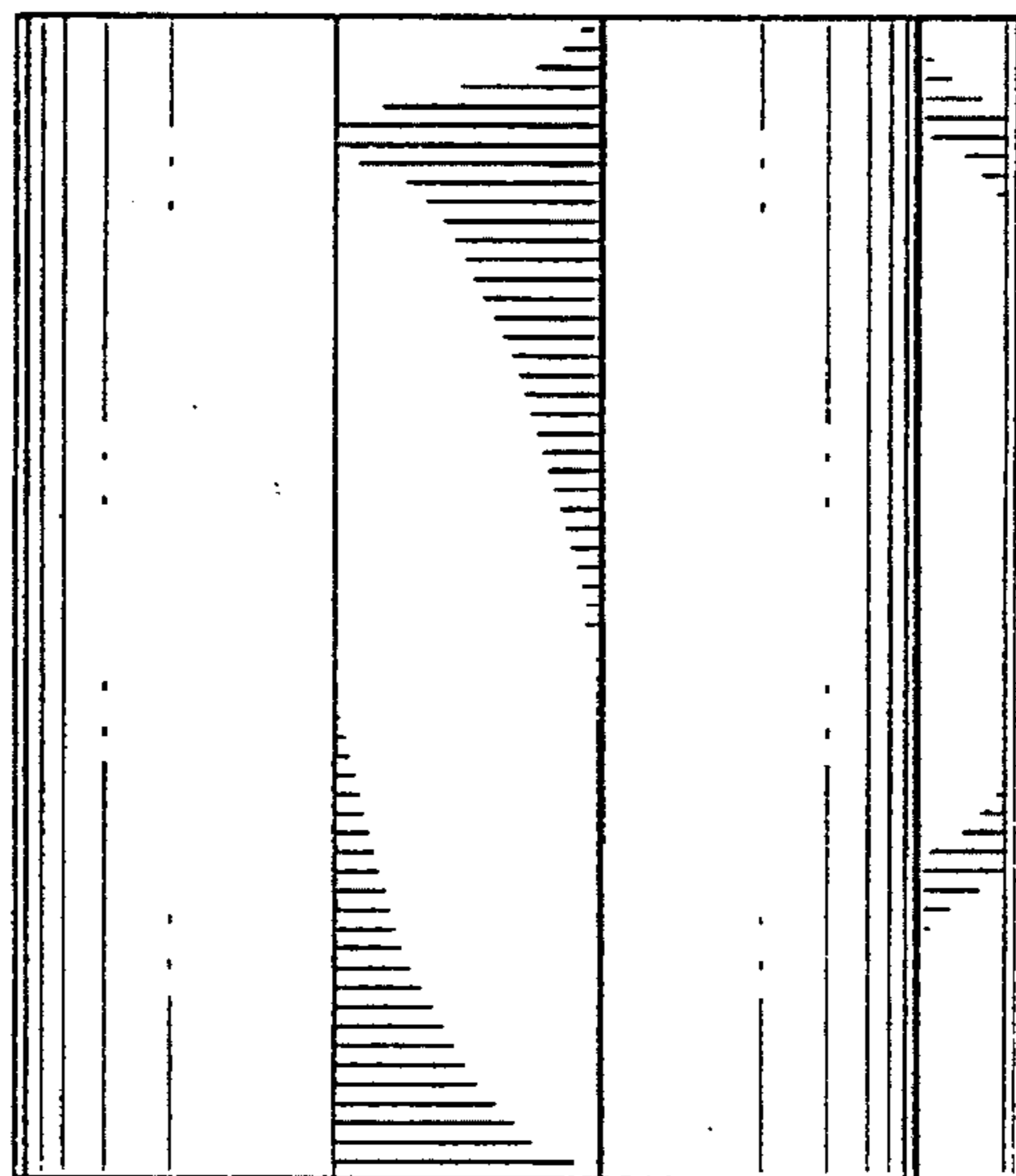


FIG. 7

