



US00D365149S

# United States Patent [19]

[11] Patent Number: **Des. 365,149**

Burton et al.

[45] Date of Patent: **\*\*Dec. 12, 1995**

[54] **OPHTHALMIC REFRACTOR**

4,840,479 6/1989 Sims ..... 351/235  
4,943,162 7/1990 Sims ..... D24/172 X

[75] Inventors: **Roy H. Burton**, Columbus; **David E. Wood**, Grove City, both of Ohio

*Primary Examiner*—Stella Reid  
*Attorney, Agent, or Firm*—Mueller and Smith

[73] Assignee: **R. H. Burton Company**, Grove City, Ohio

[57] **CLAIM**

[\*\*] Term: **14 Years**

The ornamental design for an ophthalmic refractor, as shown.

[21] Appl. No.: **23,654**

**DESCRIPTION**

[22] Filed: **May 31, 1994**

FIG. 1 is a rear perspective view of the an ophthalmic refractor showing our new design;  
FIG. 2 is a front view thereof;  
FIG. 3 is a rear view thereof;  
FIG. 4 is a top view thereof;  
FIG. 5 is a right side elevational view thereof;  
FIG. 6 is a left side elevational view thereof; and,  
FIG. 7 is a bottom view thereof.

[52] U.S. Cl. .... **D24/172**

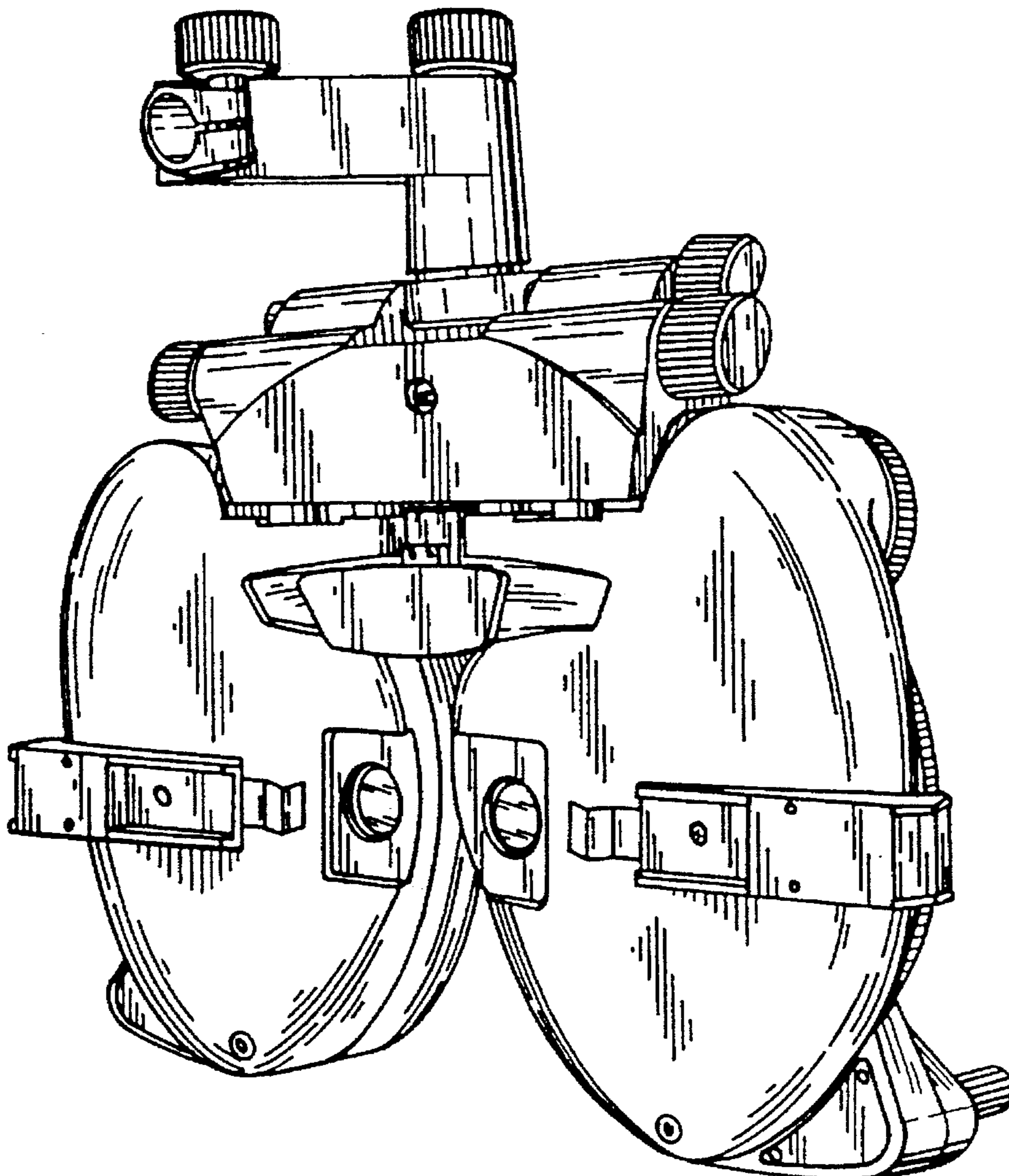
[58] Field of Search ..... D24/172; 351/234, 351/235, 233

[56] **References Cited**

**U.S. PATENT DOCUMENTS**

4,606,624 8/1986 Wood ..... 351/234

**1 Claim, 3 Drawing Sheets**



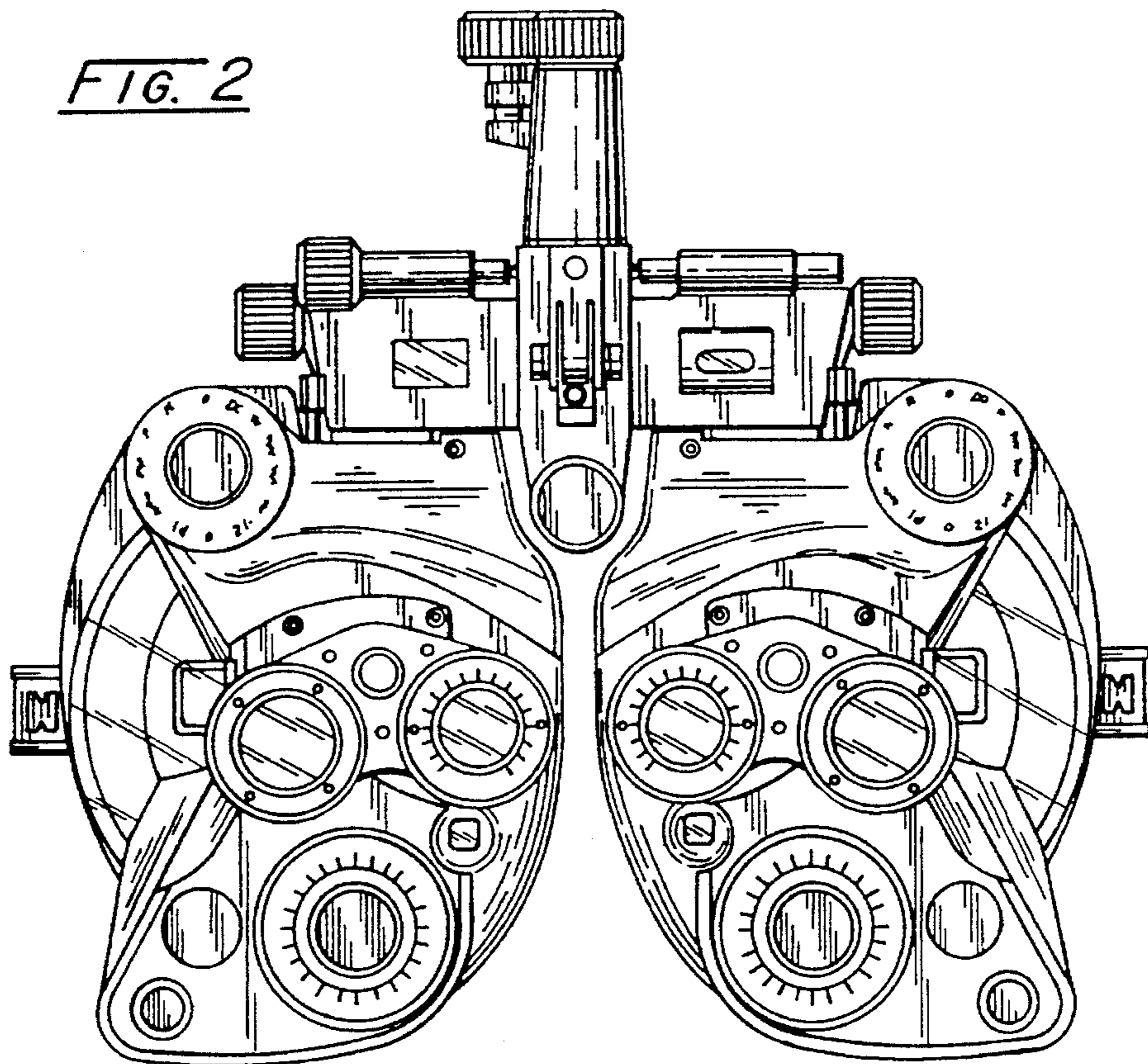
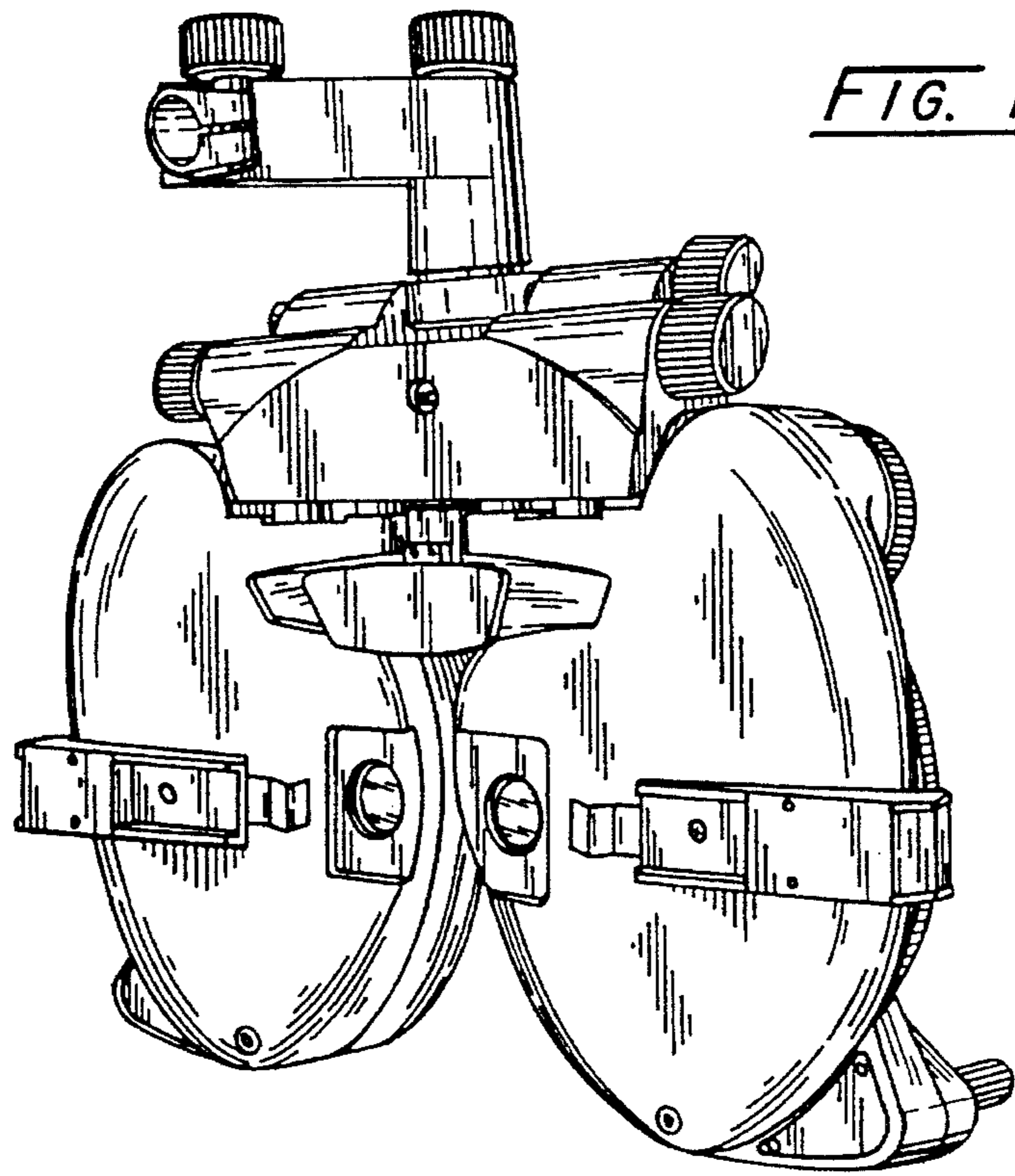




FIG. 3

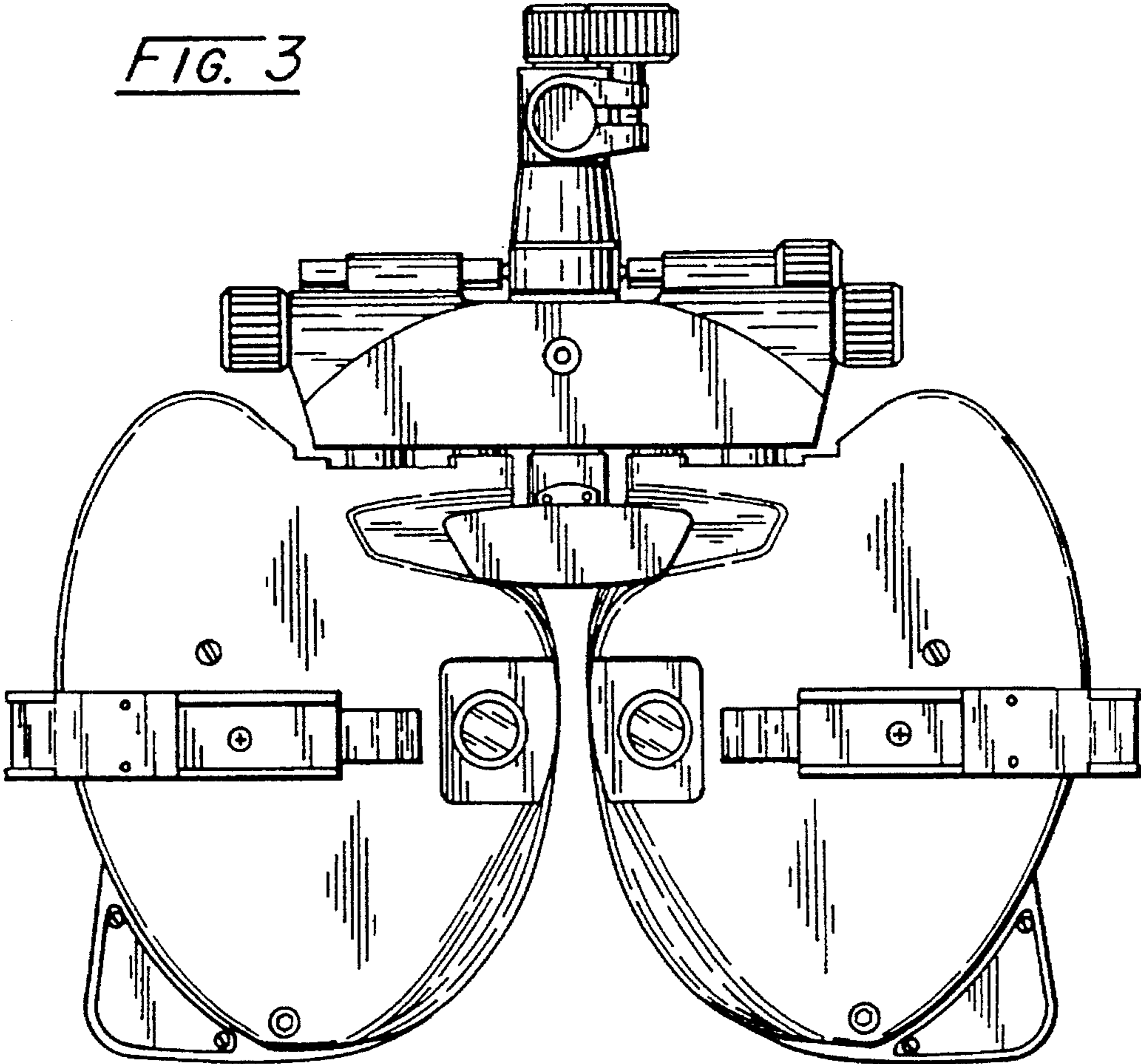
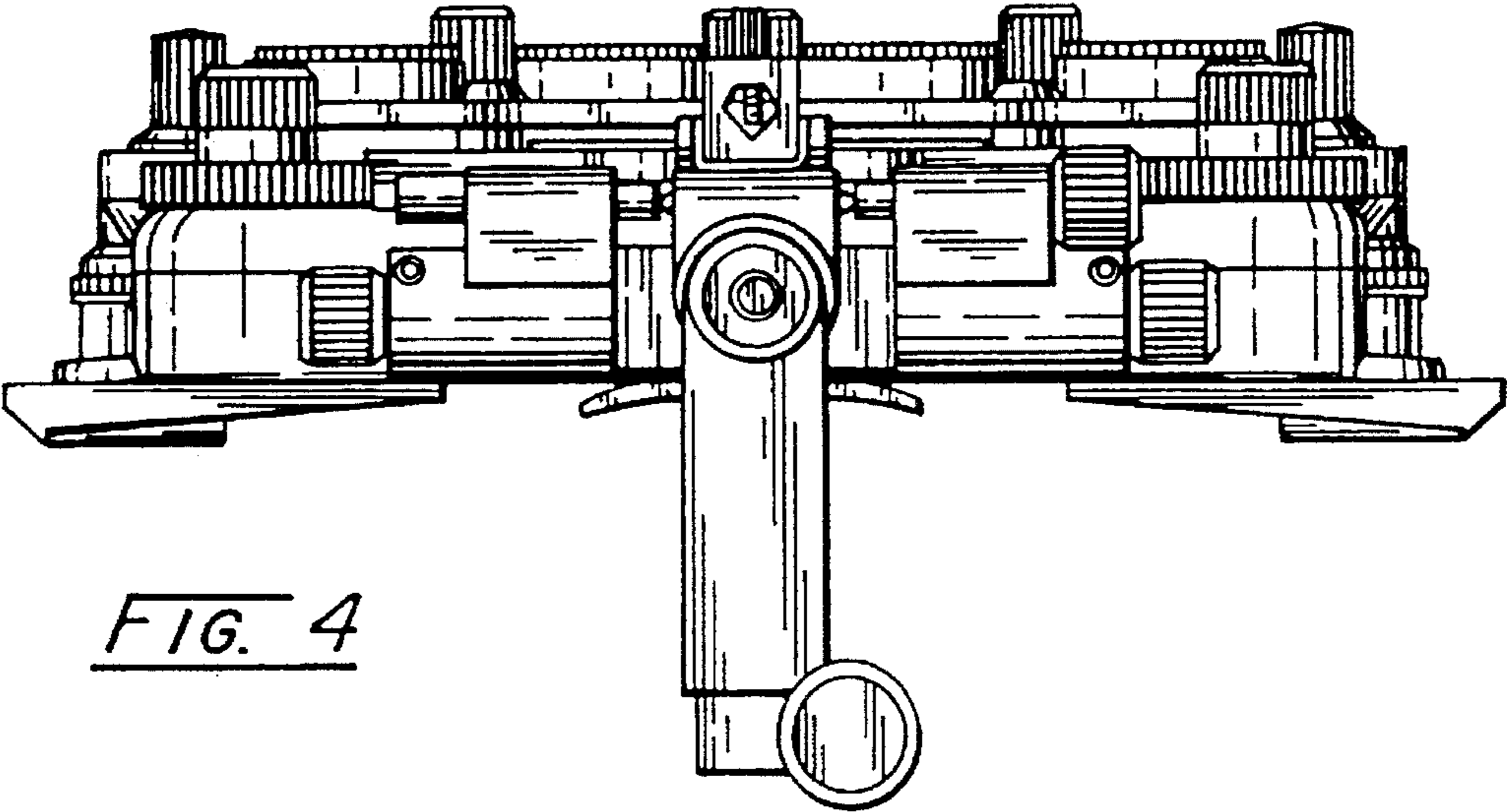


FIG. 4



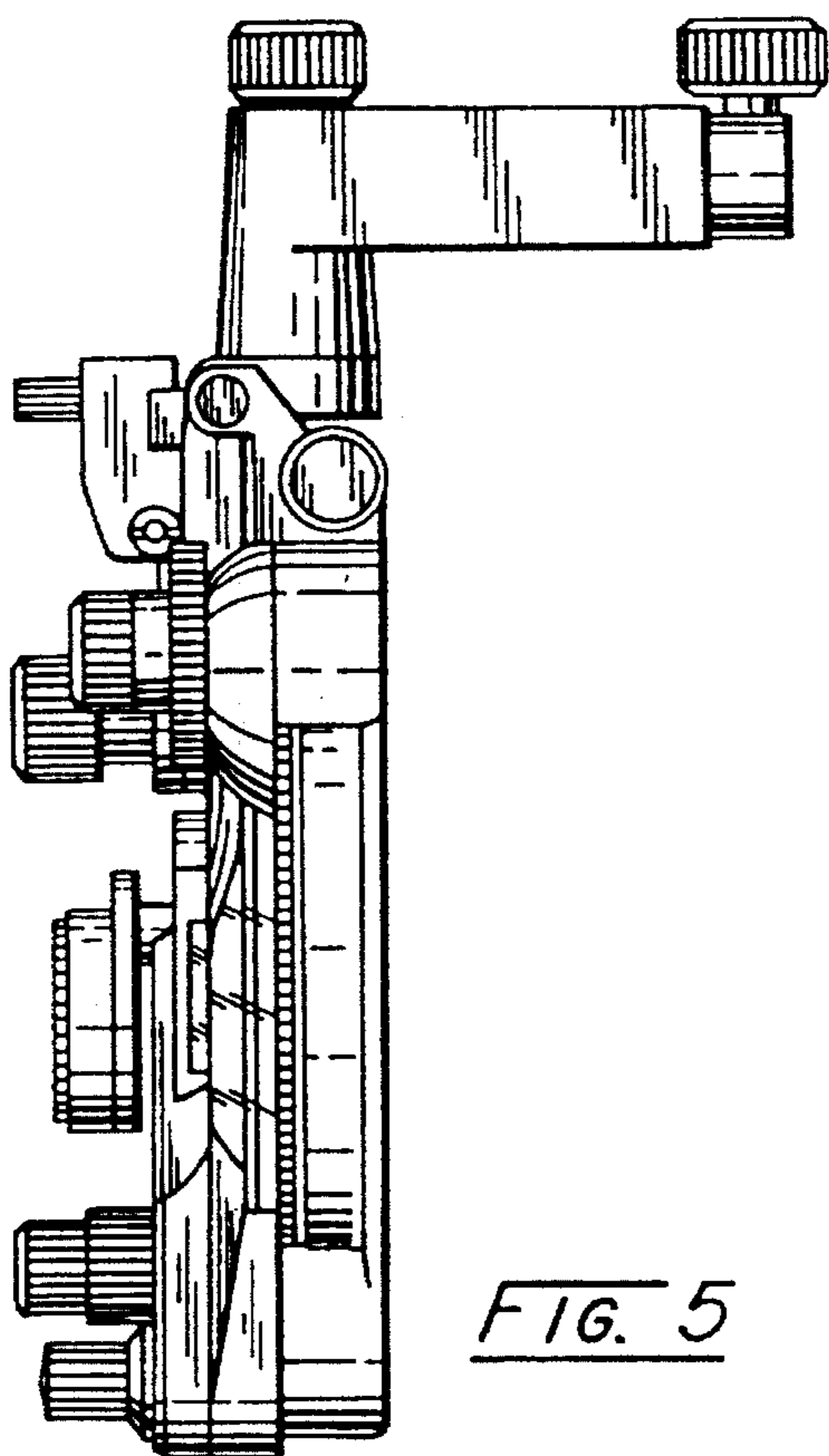


FIG. 5

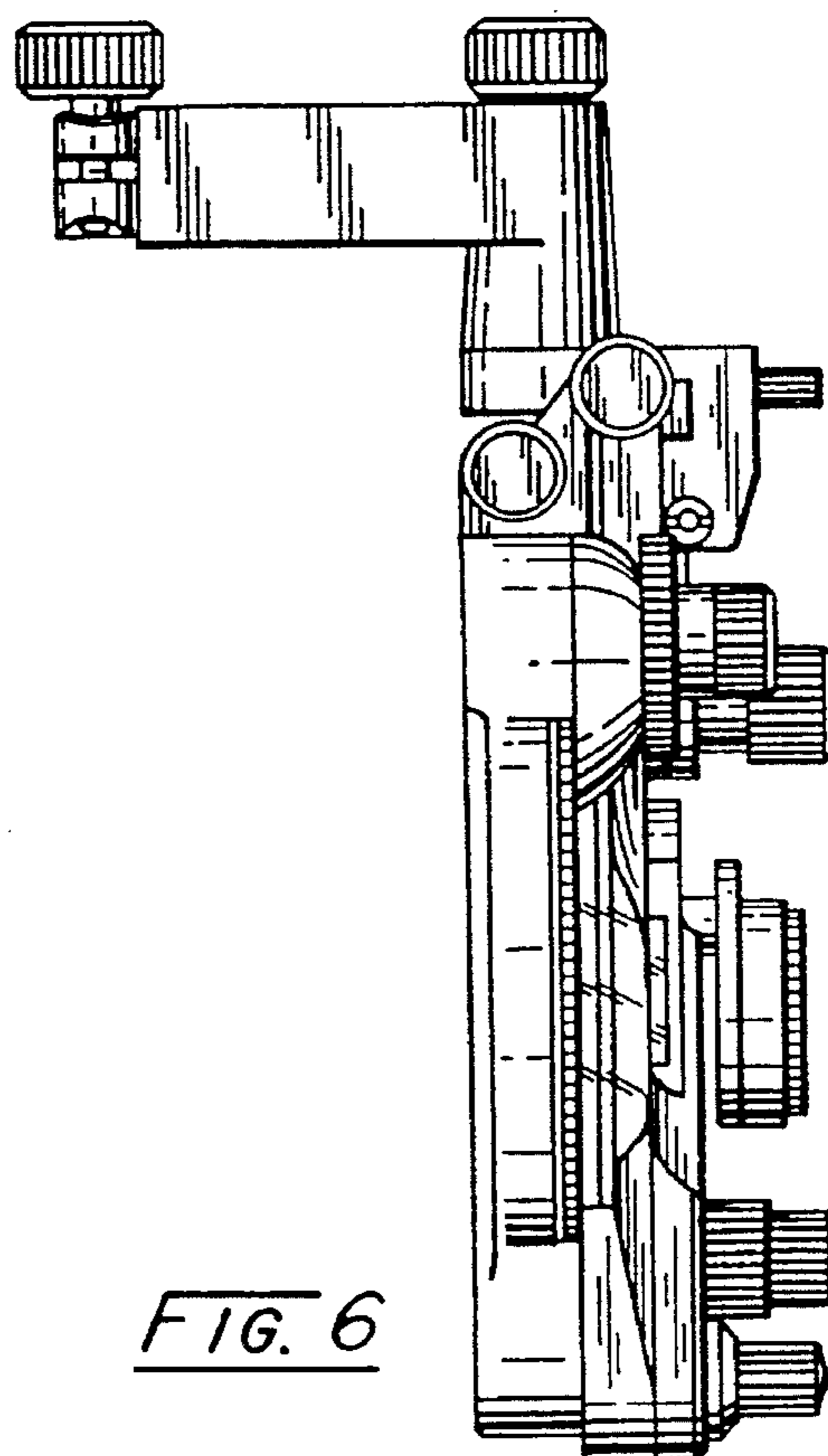


FIG. 6

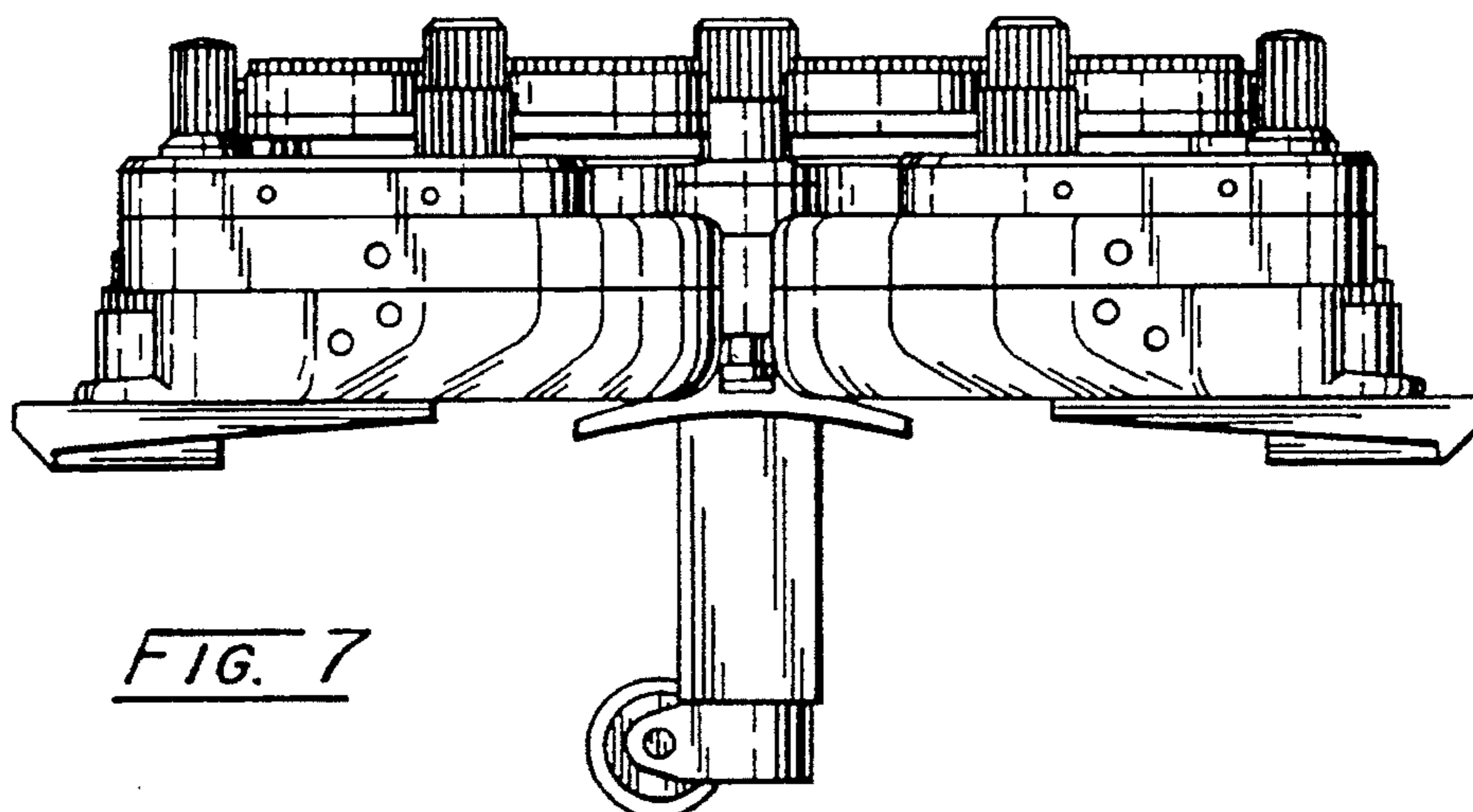


FIG. 7