



US00D365148S

United States Patent [19]

[11] Patent Number: **Des. 365,148**

Murakami et al.

[45] Date of Patent: ****Dec. 12, 1995**

[54] **ULTRASONIC DIAGNOSIS MACHINE**

4,058,001 11/1977 Waxman 128/660.07
4,625,731 12/1986 Quedens et al. 128/660.07

[75] Inventors: **Makoto Murakami**, Yokohama;
Hiroko Nakano, Tokyo, both of Japan

FOREIGN PATENT DOCUMENTS

759898 4/1989 Japan .
7598981 1/1991 Japan .
821210 10/1991 Japan .

[73] Assignee: **Kabushiki Kaisha Toshiba**, Kawasaki,
Japan

[**] Term: **14 Years**

Primary Examiner—Stella Reid
Attorney, Agent, or Firm—Oblon, Spivak, McClelland,
Maier, & Neustadt

[21] Appl. No.: **22,453**

[22] Filed: **May 5, 1994**

[57] CLAIM

[30] Foreign Application Priority Data

The ornamental design for an ultrasonic diagnosis machine,
as shown.

Nov. 5, 1993 [JP] Japan 5-33671

[52] U.S. Cl. **D24/160**

[58] Field of Search D24/160, 186;
128/653, 660.01, 660.02, 660.03, 660.07

DESCRIPTION

[56] References Cited

FIG. 1 is a front, top and right side perspective view of an
ultrasonic diagnosis machine, showing our new design;
FIG. 2 is a front elevational view thereof;
FIG. 3 is a right side elevational view thereof;
FIG. 4 is a rear elevational view thereof;
FIG. 5 is a left side elevational view thereof;
FIG. 6 is a top plan view thereof; and,
FIG. 7 is a bottom plan view thereof.

U.S. PATENT DOCUMENTS

D. 280,762 9/1985 LaCelle et al. D24/160
D. 285,484 9/1986 La Celle et al. D24/160
D. 286,325 10/1986 La Celle et al. D24/160
D. 306,343 2/1990 Ungar D24/160

1 Claim, 4 Drawing Sheets

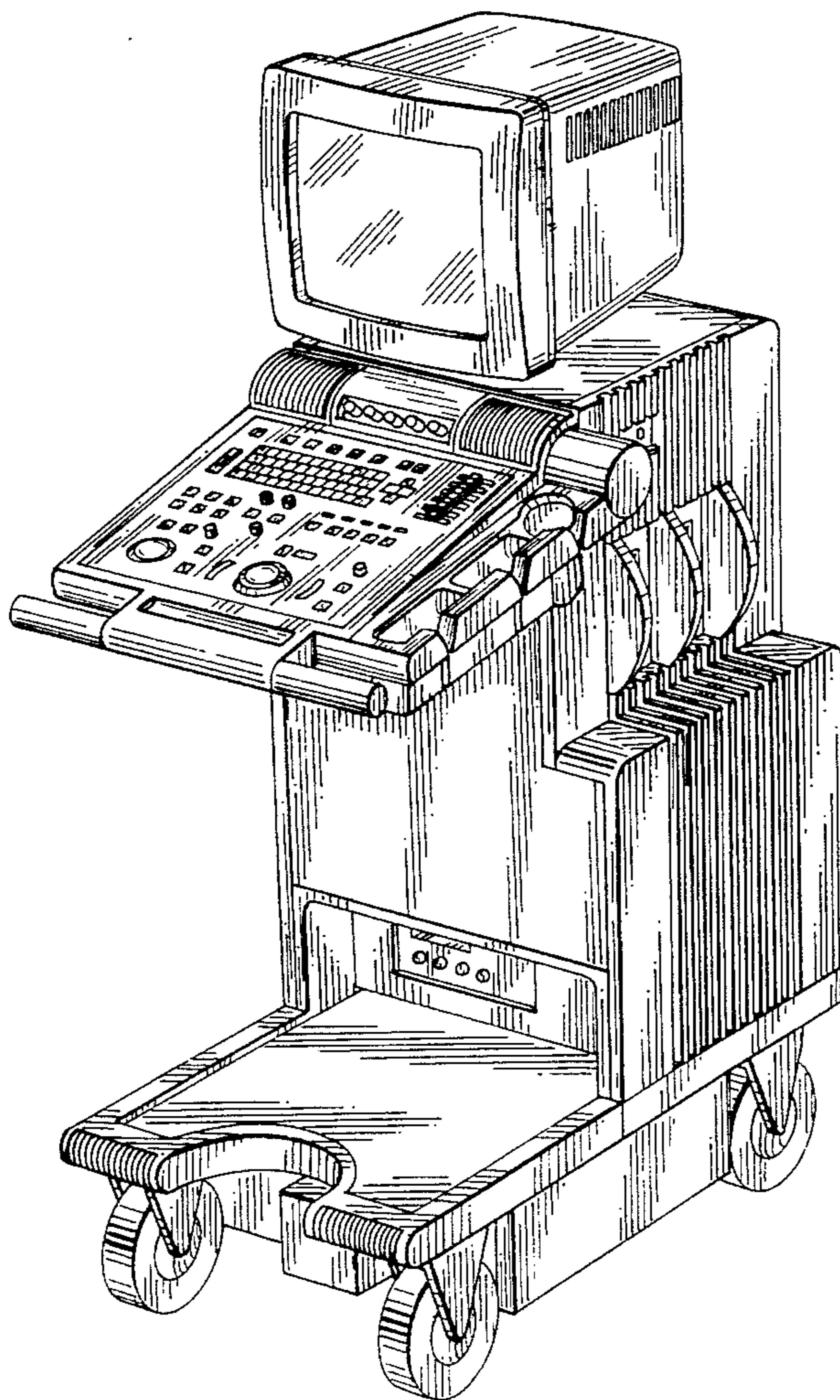
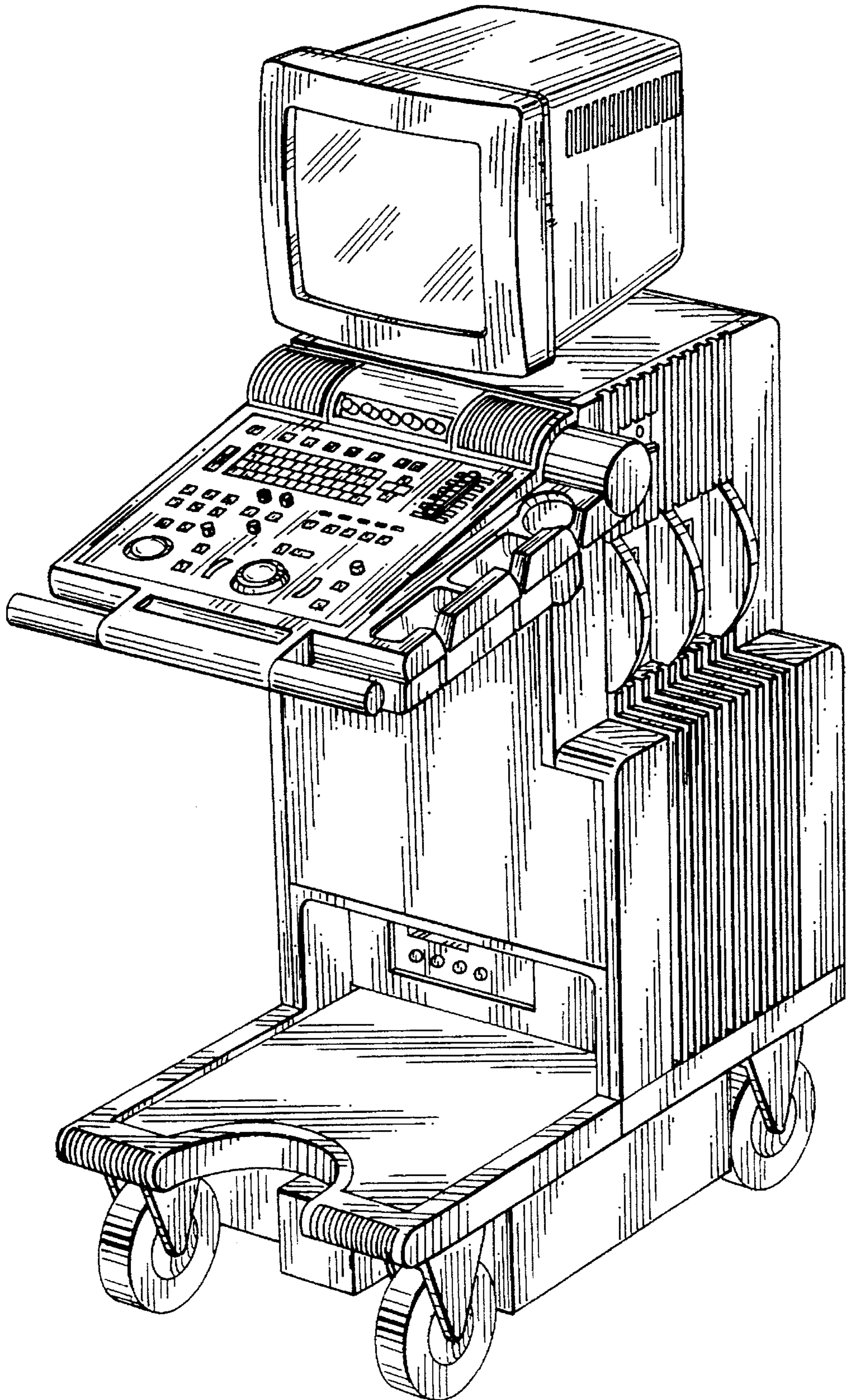


FIG. 1



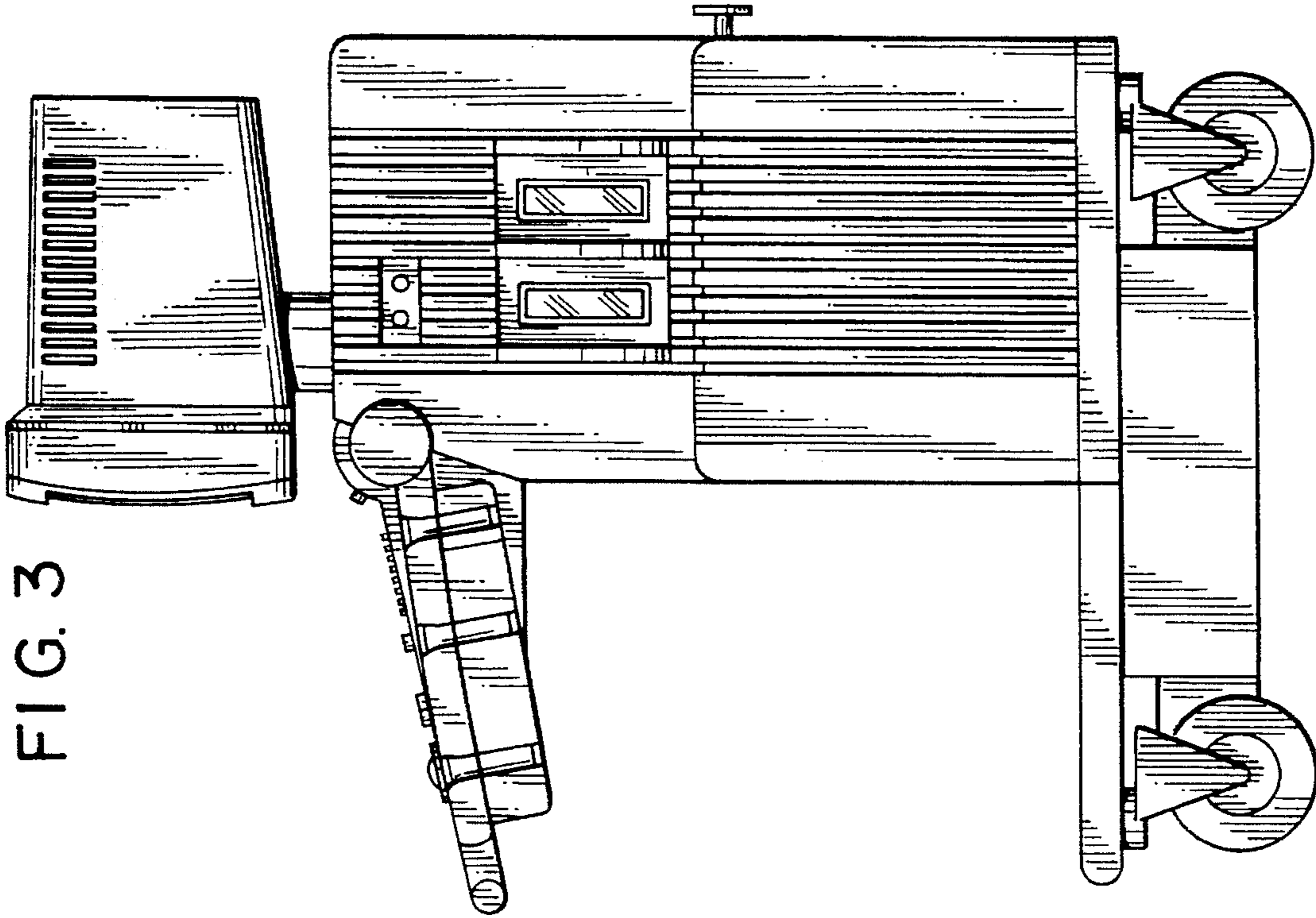


FIG. 3

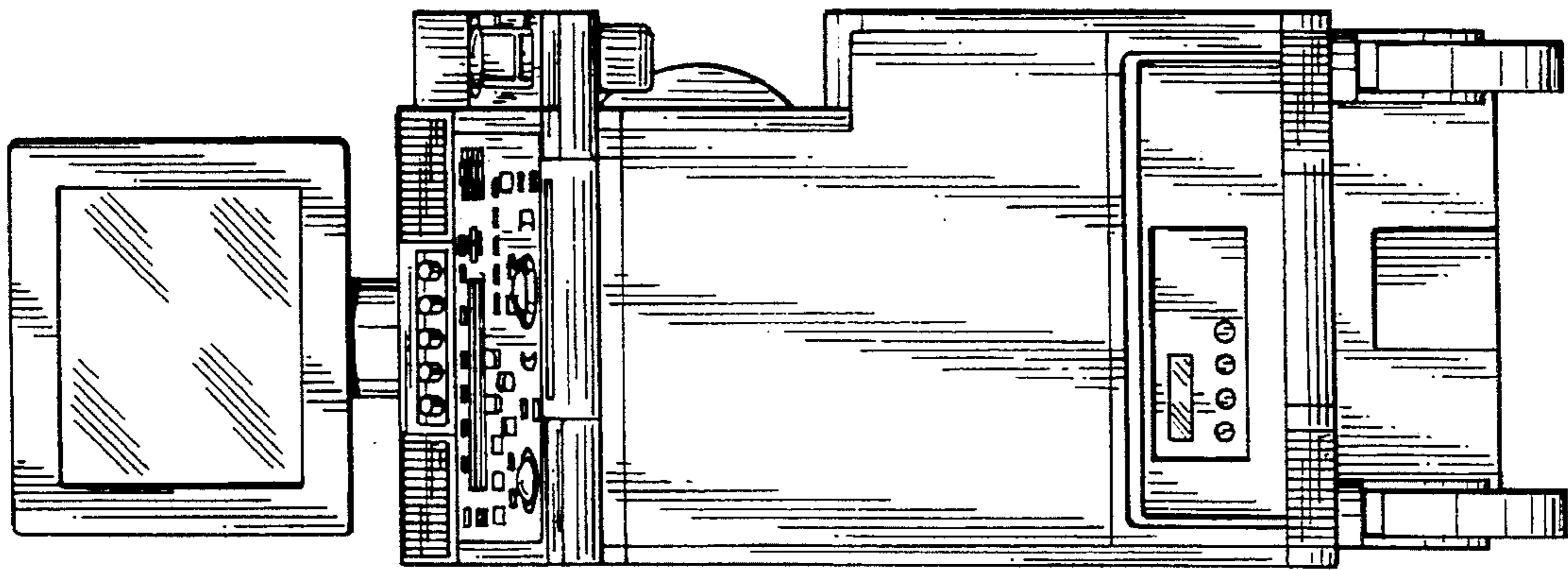


FIG. 2

FIG. 5

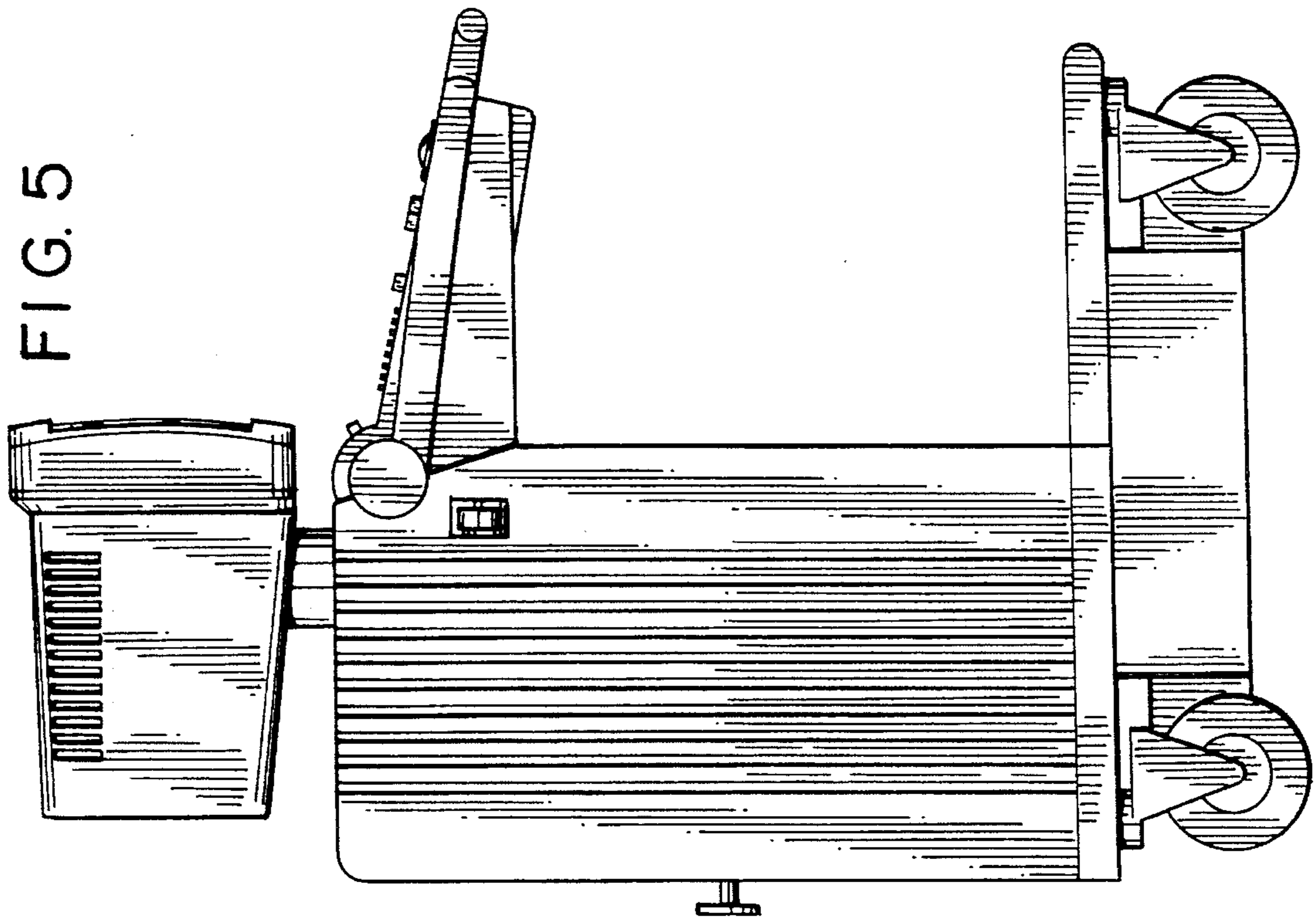


FIG. 4

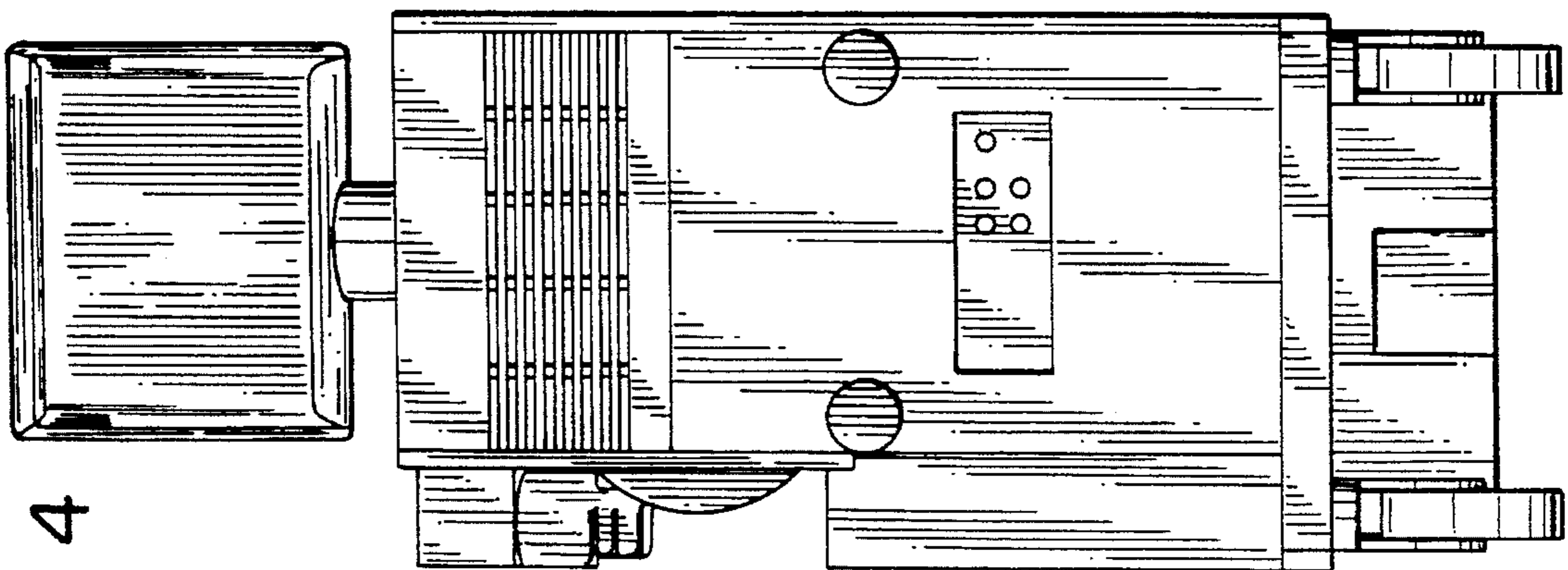


FIG. 7

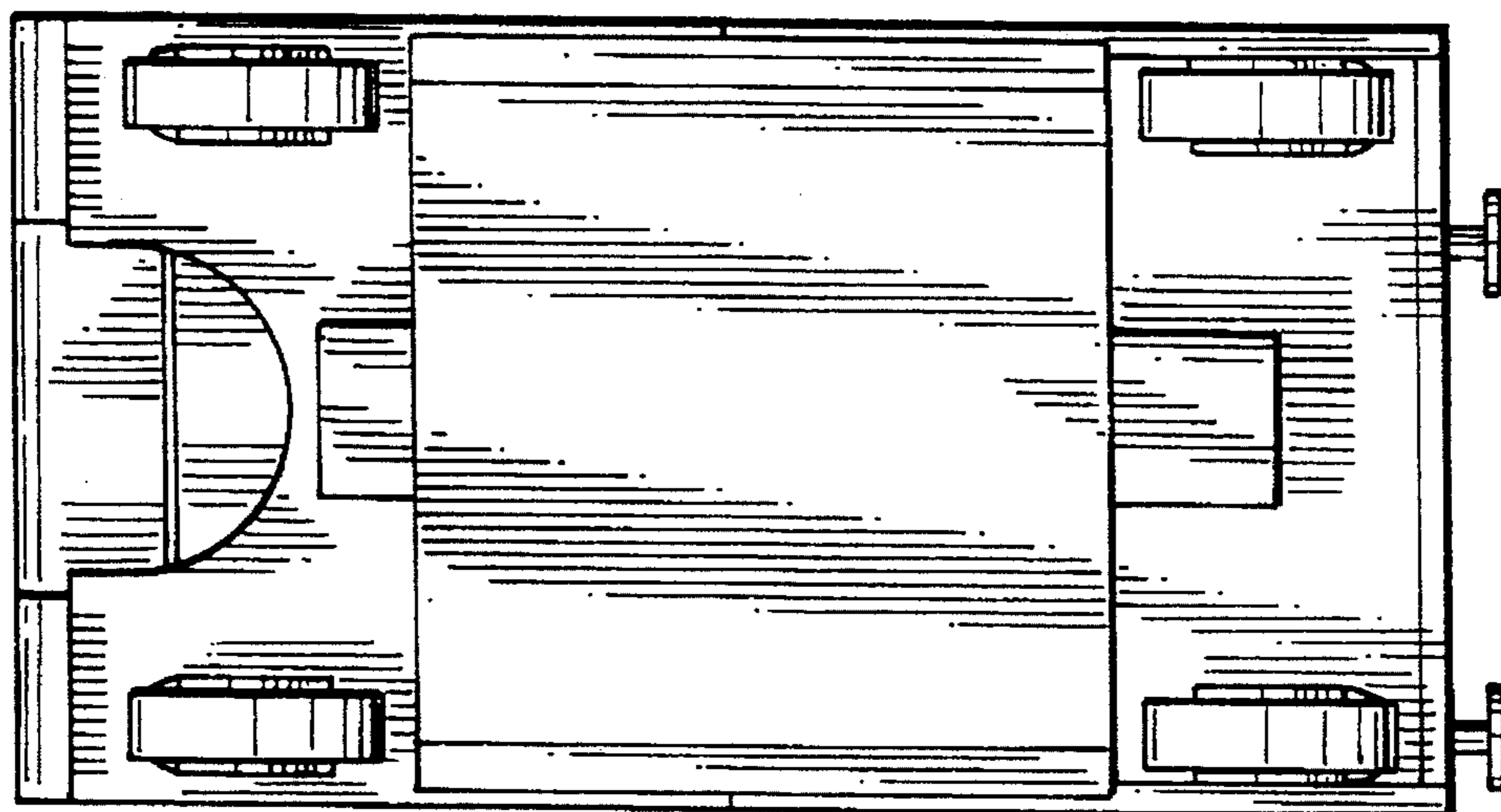


FIG. 6

