



US00D365145S

United States Patent [19]

Shadman

[11] Patent Number: Des. 365,145

[45] Date of Patent: **Dec. 12, 1995

[54] PATIO FIREPLACE

[76] Inventor: **Cyrus Shadman**, 1121 Bel Marin Keys Blvd., Novato, Calif. 94949

[**] Term: **14 Years**

[21] Appl. No.: **32,305**

[22] Filed: **Dec. 15, 1994**

[52] U.S. Cl. **D23/348**

[58] Field of Search D23/343-344,
D23/348, 350; 126/500, 519, 524, 540;
D7/332

[56] References Cited

U.S. PATENT DOCUMENTS

D. 210,375	3/1968	Volk	D23/348
D. 215,718	10/1969	Radeke	D23/348
D. 228,187	8/1973	Damm	D23/350
D. 236,347	8/1975	Crownover	D23/348
D. 243,092	1/1977	Sheth	D23/348
D. 256,500	8/1980	Johnson	D23/348
D. 302,204	7/1989	Gatton	D23/348
4,112,913	9/1978	Shimek et al.	126/519
4,897,524	1/1990	Brasell	392/348

FOREIGN PATENT DOCUMENTS

56-6430 1/1981 Japan .
602071 7/1978 Switzerland .

Primary Examiner—A. Hugo Word
Assistant Examiner—Lavone D. Tabor
Attorney, Agent, or Firm—Dennis H. Lambert

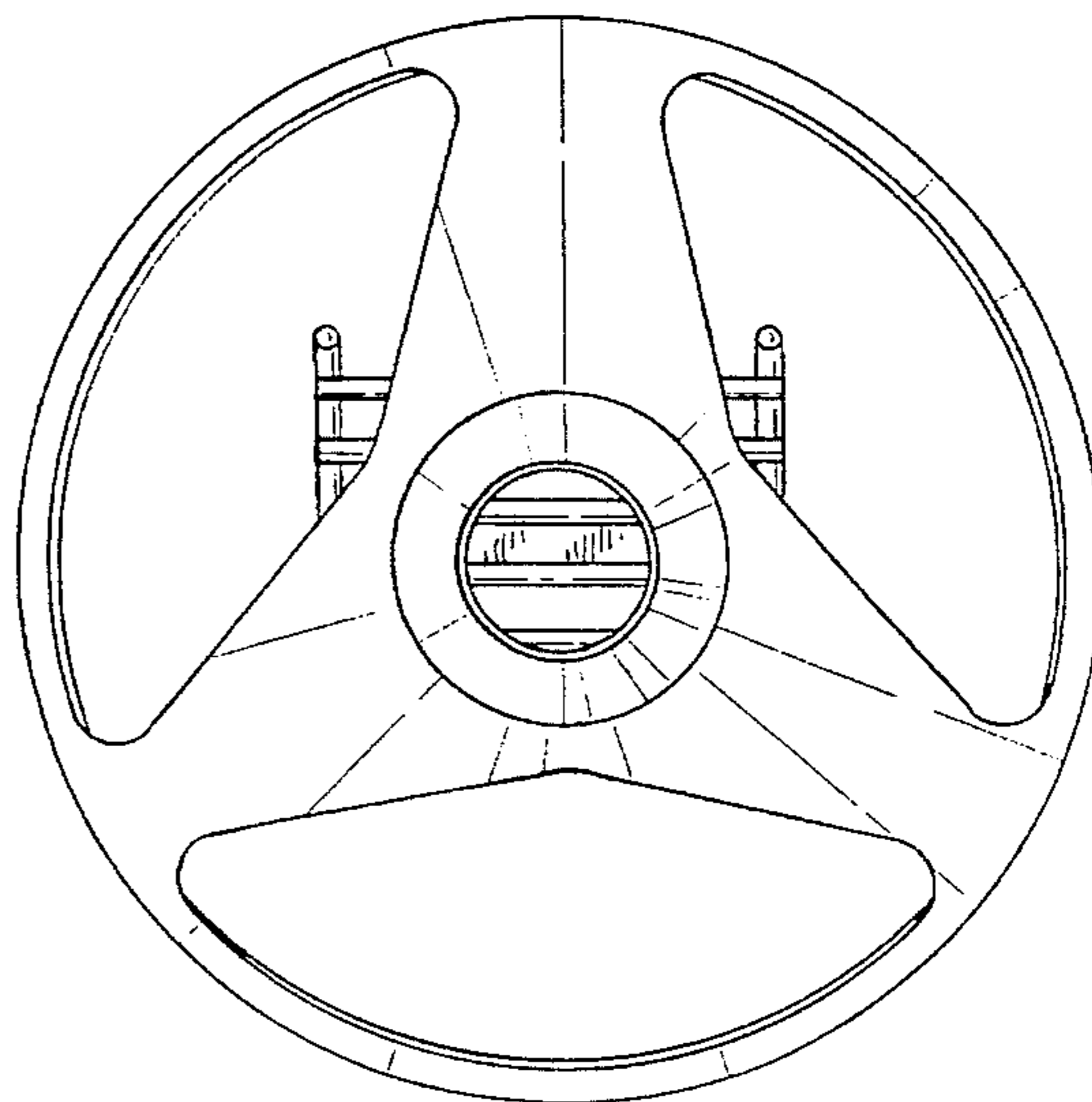
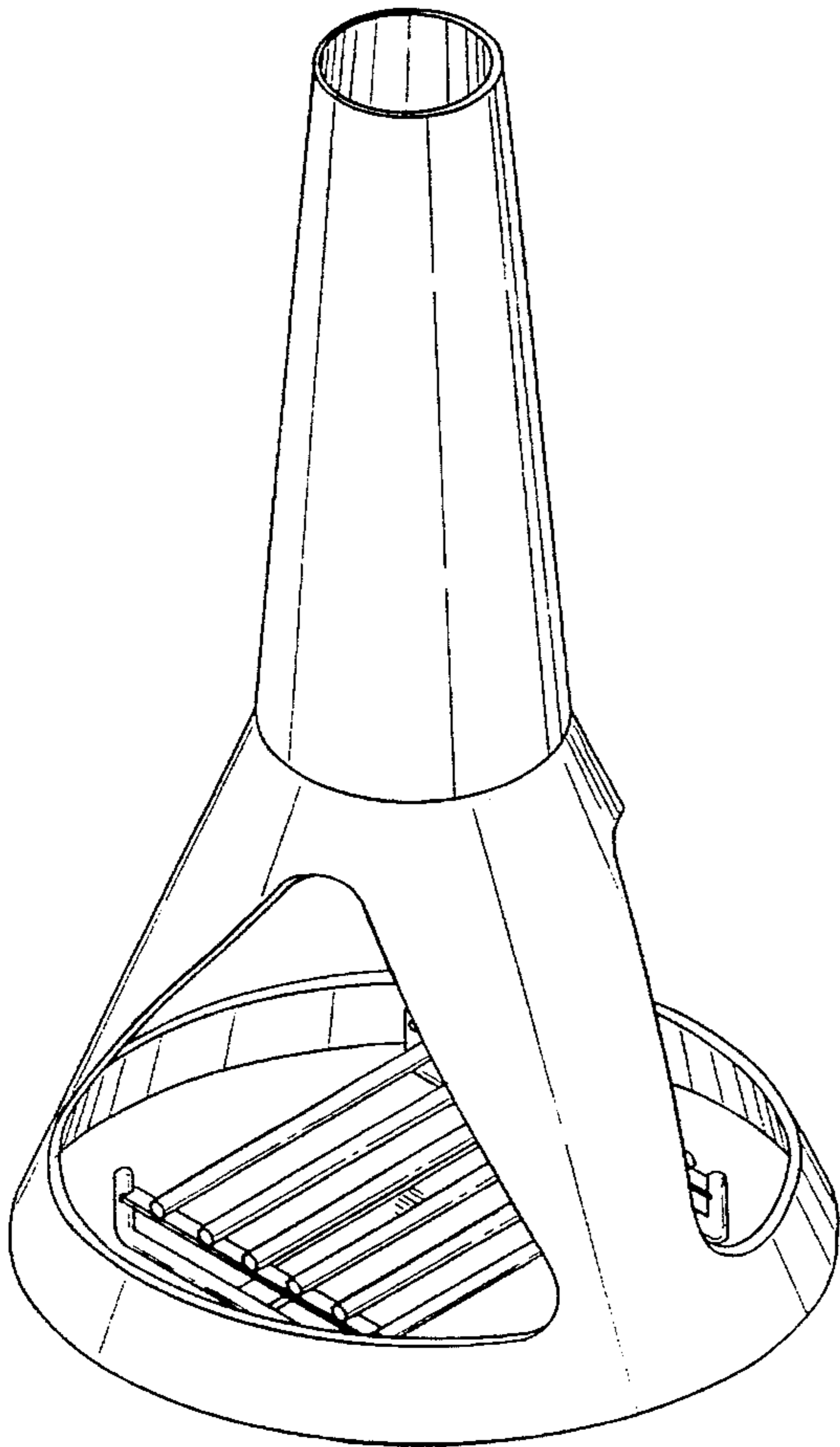
[57] CLAIM

The ornamental design for a patio fireplace, as shown and described.

DESCRIPTION

FIG. 1 is a front, top and side perspective view of the patio fireplace showing my new design;
FIG. 2 is a rear elevational view thereof;
FIG. 3 is a front elevational view thereof;
FIG. 4 is a side elevational view thereof, the side opposite being a mirror image of the side shown of FIG. 4;
FIG. 5 is a top plan view thereof; and,
FIG. 6 is a bottom plan view thereof.

1 Claim, 4 Drawing Sheets



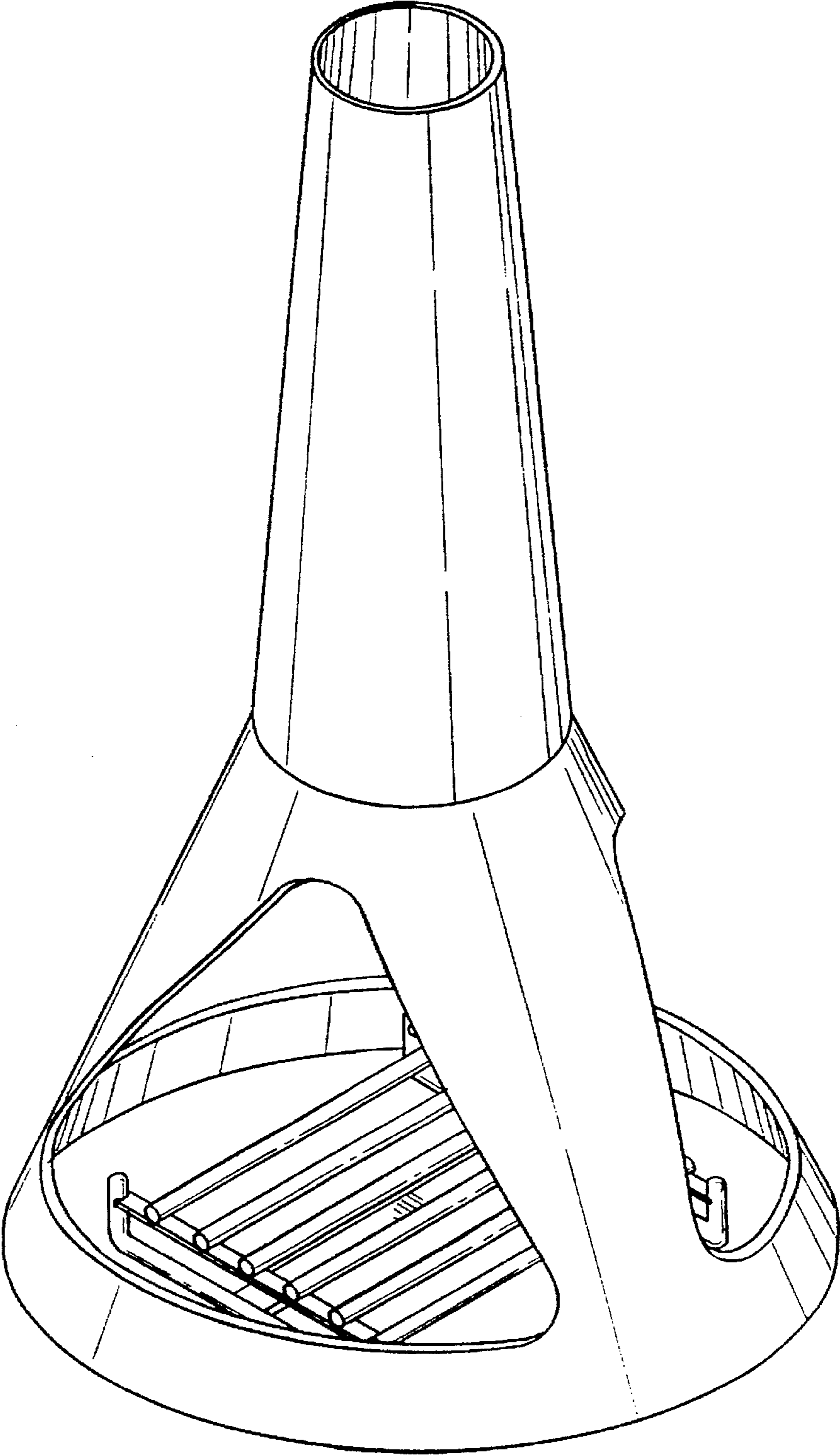


FIG. 1

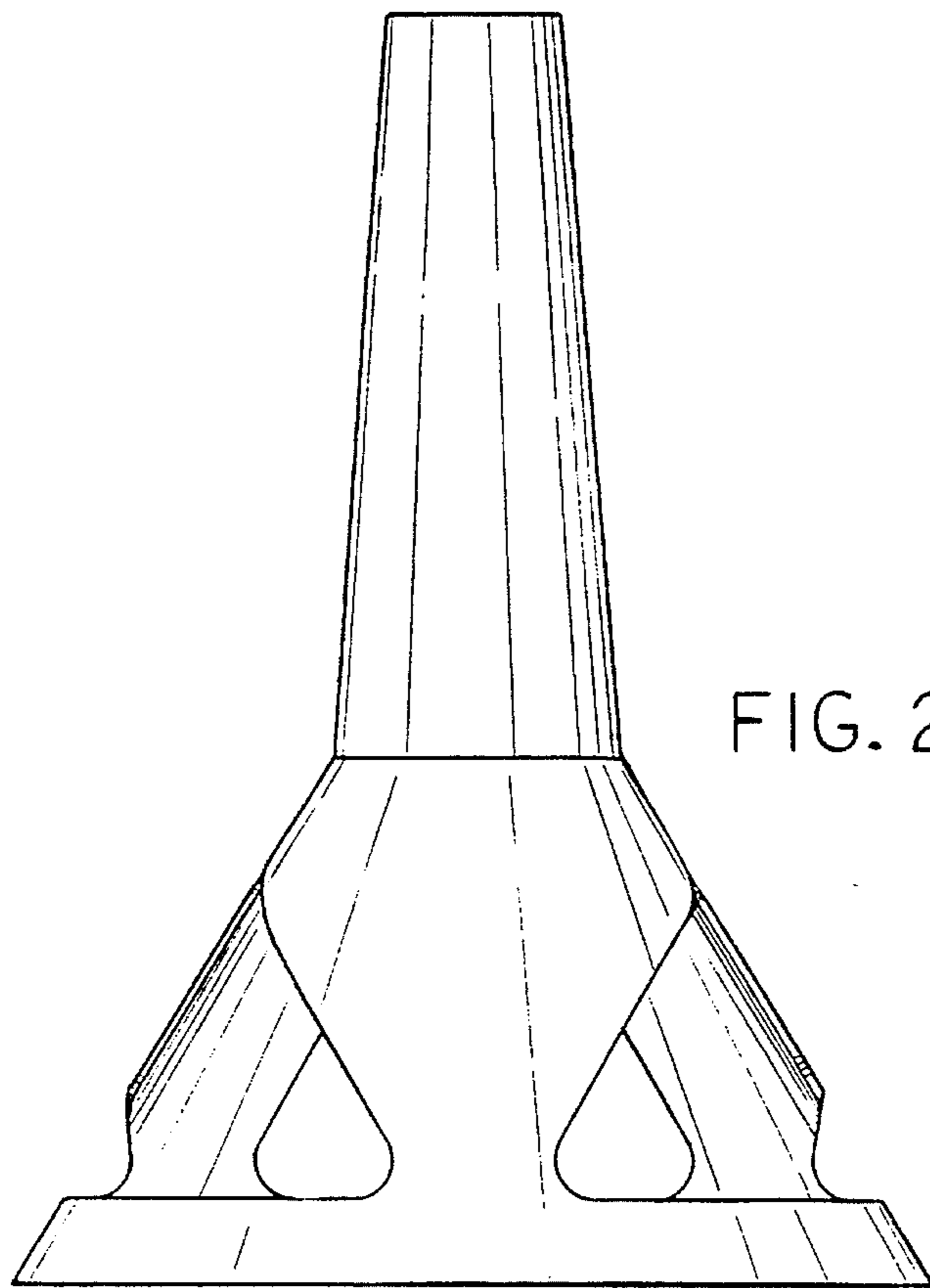


FIG. 2

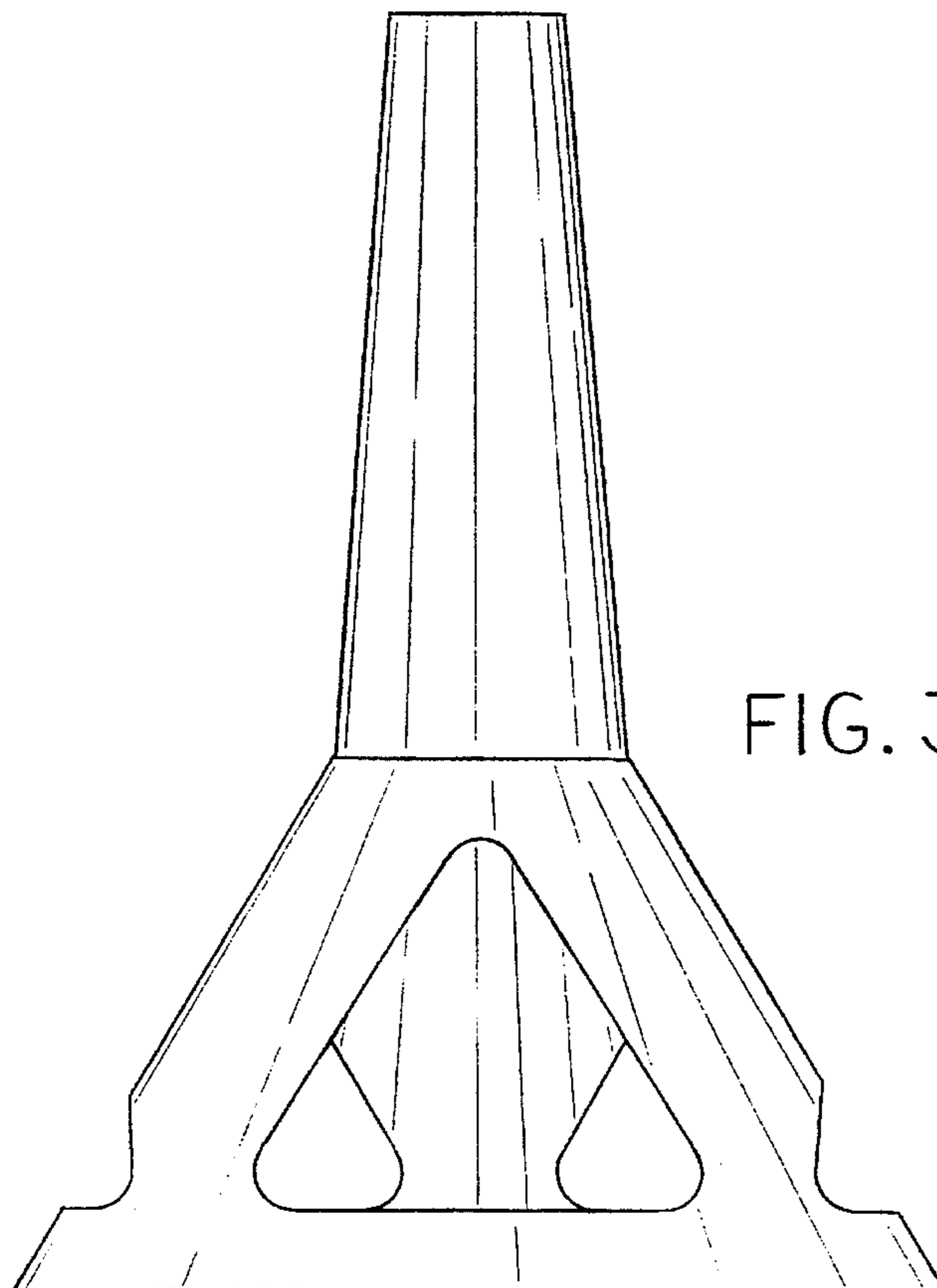


FIG. 3

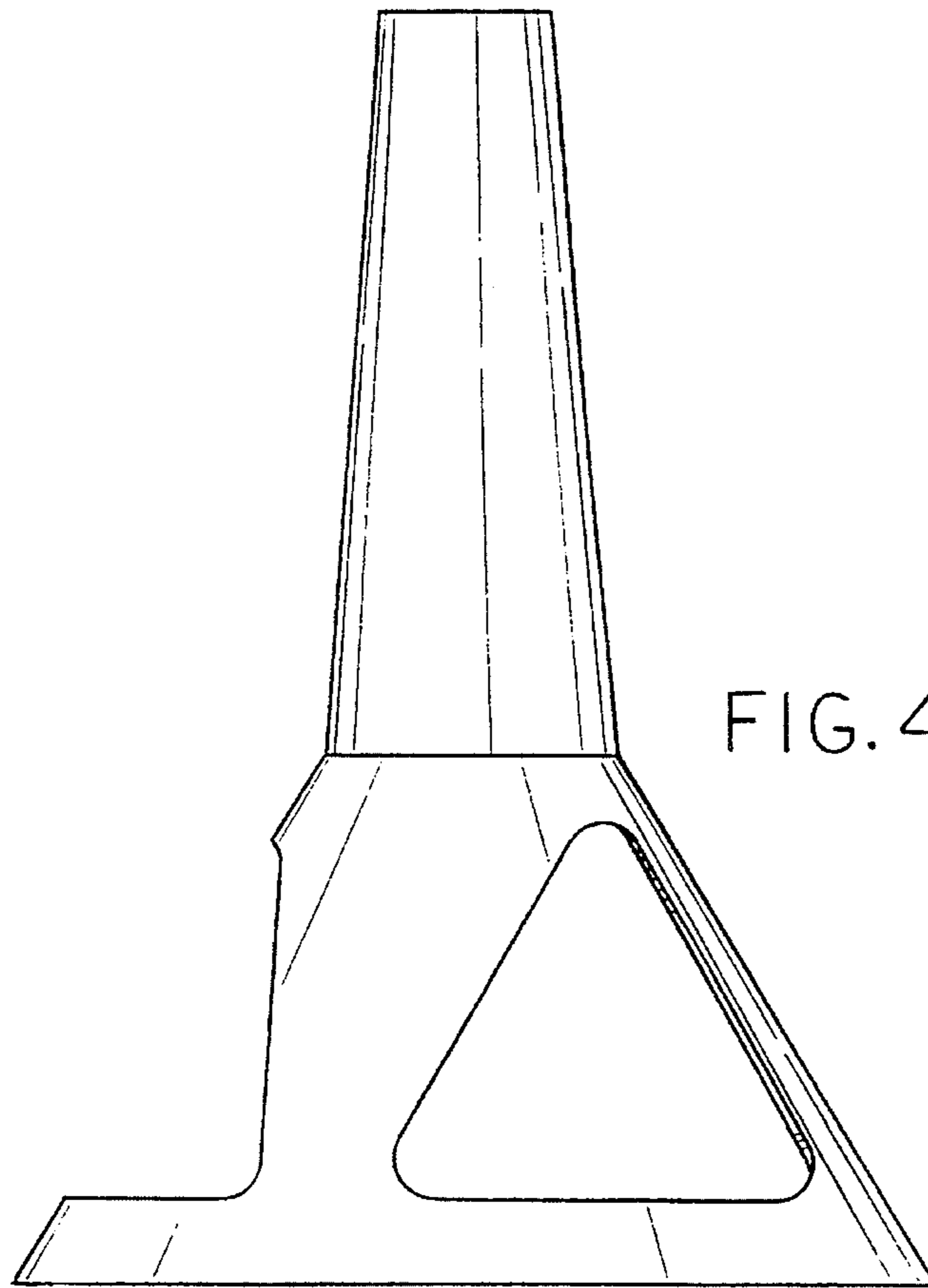


FIG. 4

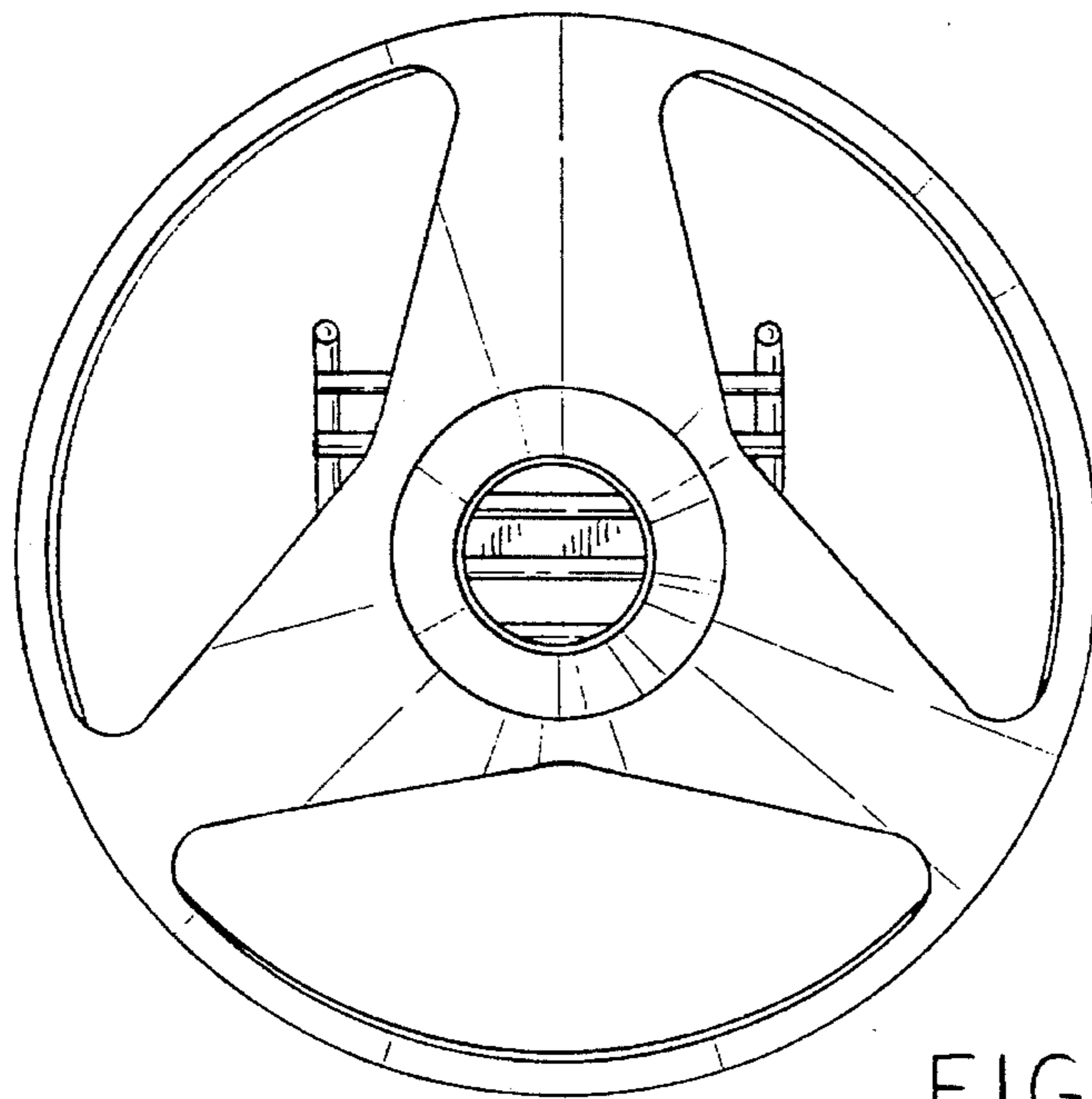


FIG. 5

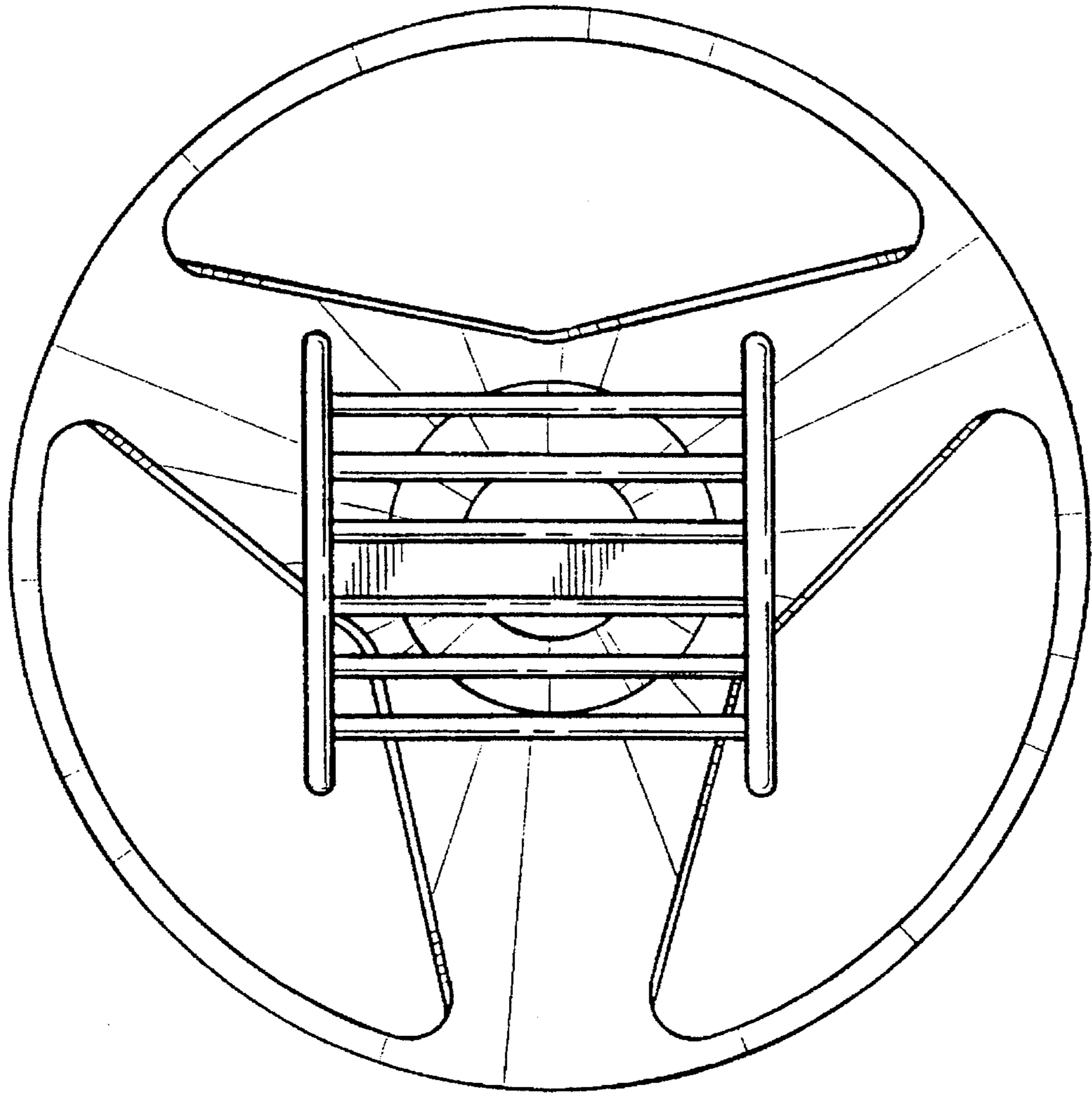


FIG. 6