



US00D365141S

United States Patent [19]

Palestrant

[11] Patent Number: **Des. 365,141**

[45] Date of Patent: ****Dec. 12, 1995**

[54] **PORTABLE SPRAY UNIT FOR FOGGING AND MISTING**

4,298,166	11/1981	White et al.	239/201
4,570,854	2/1986	Wernhart	239/280
5,337,960	8/1994	Allen	239/280.5

[76] Inventor: **Nathan Palestrant**, 5120 N. 79th Pl., Scottsdale, Ariz. 85250

Primary Examiner—Wallace R. Burke
Assistant Examiner—Robin V. Taylor

[**] Term: **14 Years**

[57] **CLAIM**

[21] Appl. No.: **7,496**

The ornamental design for a portable spray unit for fogging and misting, as showing and described.

[22] Filed: **Apr. 26, 1993**

[52] U.S. Cl. **D23/213**

DESCRIPTION

[58] **Field of Search** D23/213, 217, D23/218, 219; 239/2.1, 280, 280.5, 281, 550-551, 565

FIG. 1 is a perspective view;
FIG. 2 is a side view;
FIG. 3 is a top view;
FIG. 4 is a bottom view;
FIG. 5 is a front view; and,
FIG. 6 is a back view.

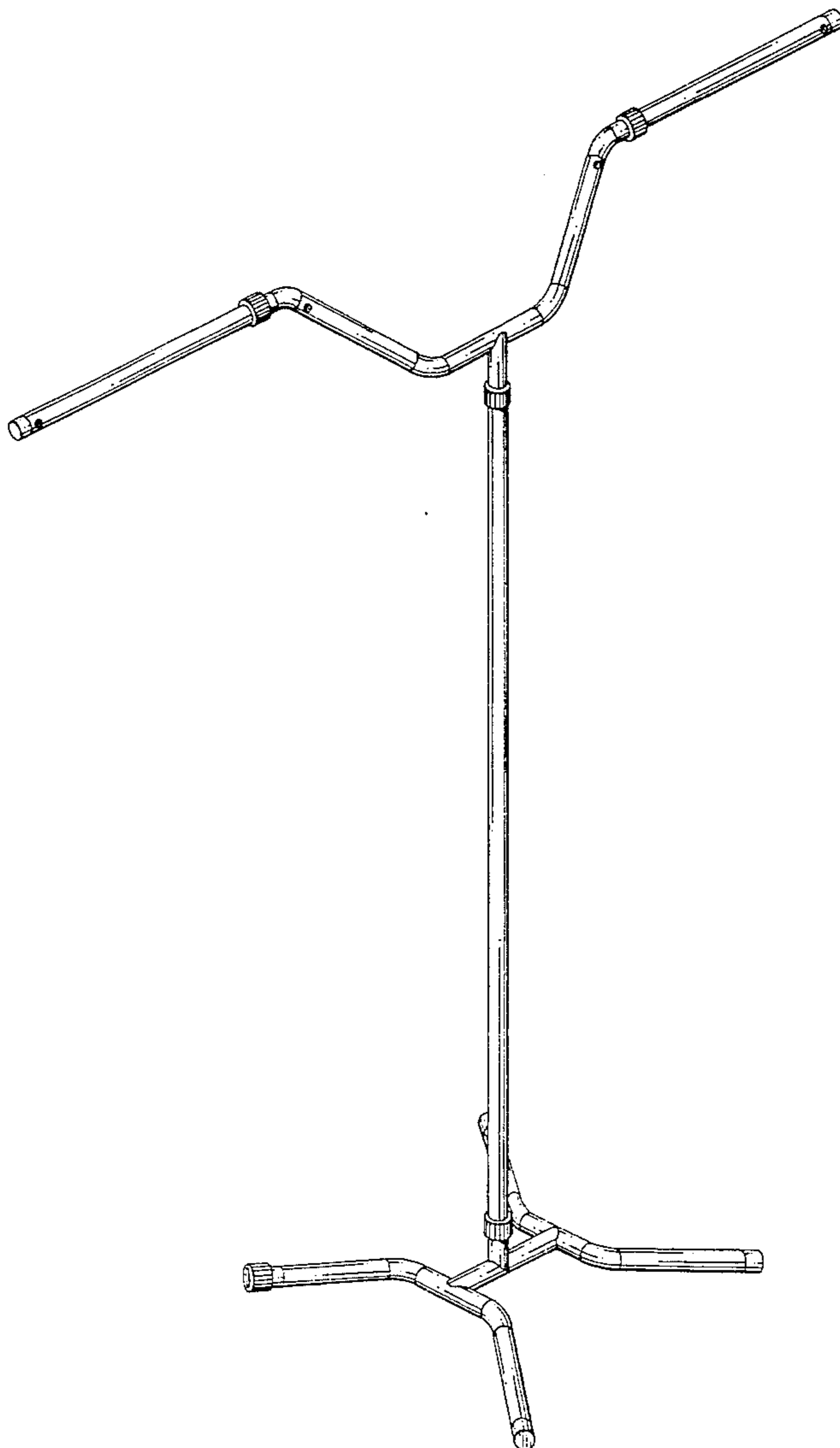
[56] **References Cited**

U.S. PATENT DOCUMENTS

172,024	1/1876	Hug	239/280.5
D. 256,610	8/1980	Belkir	D23/213
1,112,261	9/1914	Carter	239/280
1,207,790	12/1916	Peterson	239/280
2,052,626	9/1936	Houghton	239/2.1

The pipes are shown broken away in FIGS. 3-6 for ease of illustration.

1 Claim, 3 Drawing Sheets



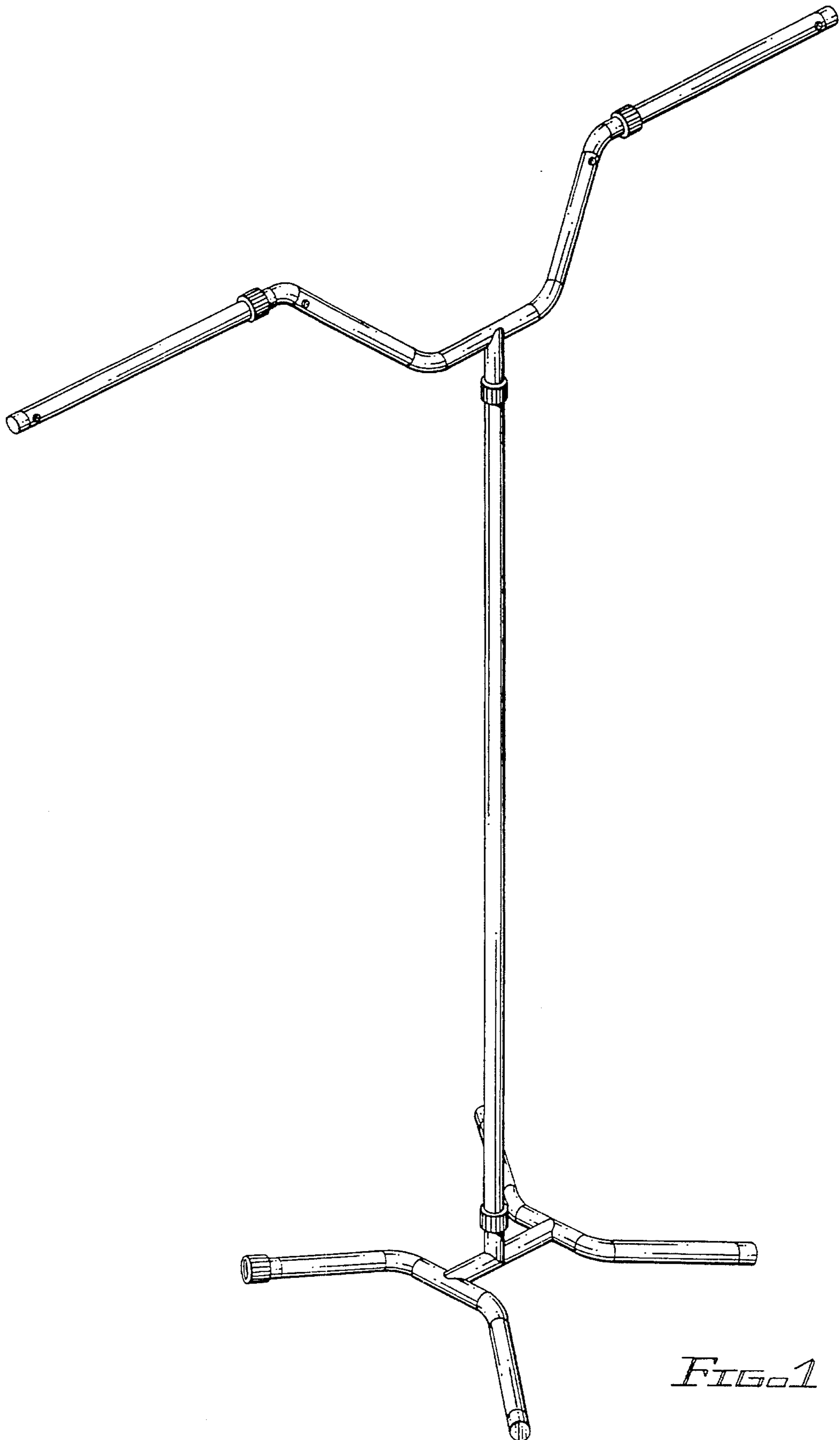


FIG. 1

