



US00D365140S

**United States Patent** [19]  
**Raunkjaer**

[11] **Patent Number: Des. 365,140**  
[45] **Date of Patent: \*\*Dec. 12, 1995**

[54] **FLOW CONTROL FOR A FILTER**  
[76] Inventor: **Hans T. Raunkjaer**, Soren Frichsvey  
426, 8230 Aabyhot, Denmark  
[\*\*] Term: **14 Years**  
[21] Appl. No.: **14,014**  
[22] Filed: **Oct. 8, 1993**  
[52] U.S. Cl. .... **D23/209**  
[58] **Field of Search** ..... D23/262, 207,  
D23/208, 209, 210; D7/312, 316, 317;  
210/257.2, 282, 295, 321.78, 348, 358,  
359, 360.1, 416.3, 500.23, 650

*Primary Examiner*—A. Hugo Word  
*Assistant Examiner*—Eric Watterson  
*Attorney, Agent, or Firm*—Dann, Dorfman, Herrell and Skillman

[57] **CLAIM**

The ornamental design for a flow control for a filter, as shown and described.

**DESCRIPTION**

FIG. 1 is a side elevation of a flow control for a filter showing my new design, the opposite side elevation being the same;

FIG. 2 is a front elevation thereof, the rear elevation thereof being the same;

FIG. 3 is a top plan thereof;

FIG. 4 is a bottom view thereof; and,

FIG. 5 is a front elevation of the same at a reduced scale, the water filtering pitcher being shown in broken lines for illustrative purposes only and forms no part of the claimed design.

[56] **References Cited**

**U.S. PATENT DOCUMENTS**

D. 273,330	4/1984	Rouch	.....	D23/209
D. 345,412	3/1994	Myruik et al.	.....	D23/209
4,167,899	9/1979	McCormick	.....	D7/317 X
4,863,591	9/1989	Dionne	.....	210/282 X
5,173,192	12/1992	Shalev	.....	210/282 X
5,225,078	7/1993	Polasky et al.	.....	210/282 X

**OTHER PUBLICATIONS**

Brita Water filter—system, Aquaflor Color Brochure, describing water filter.

**1 Claim, 2 Drawing Sheets**

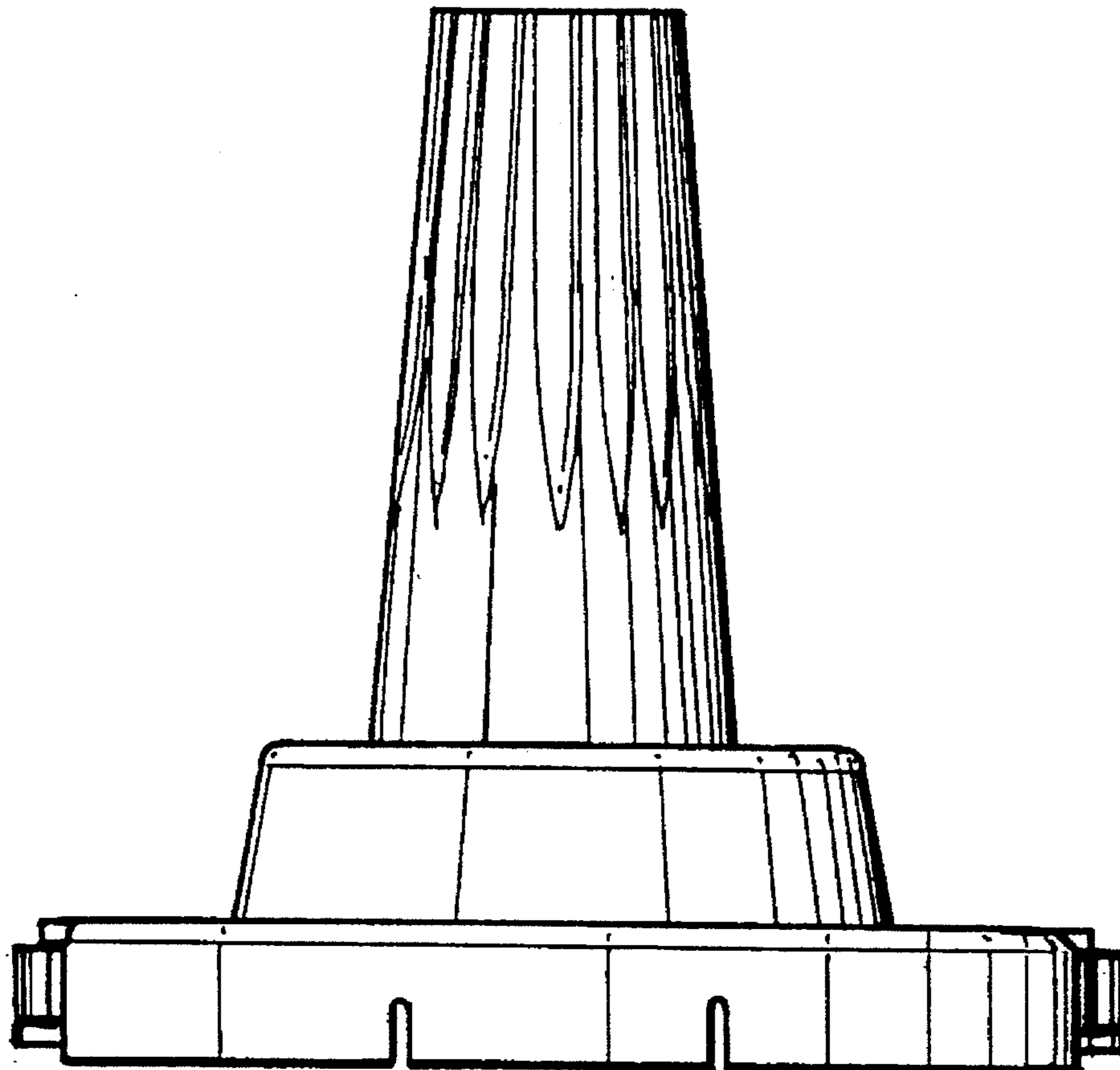


FIG. 1

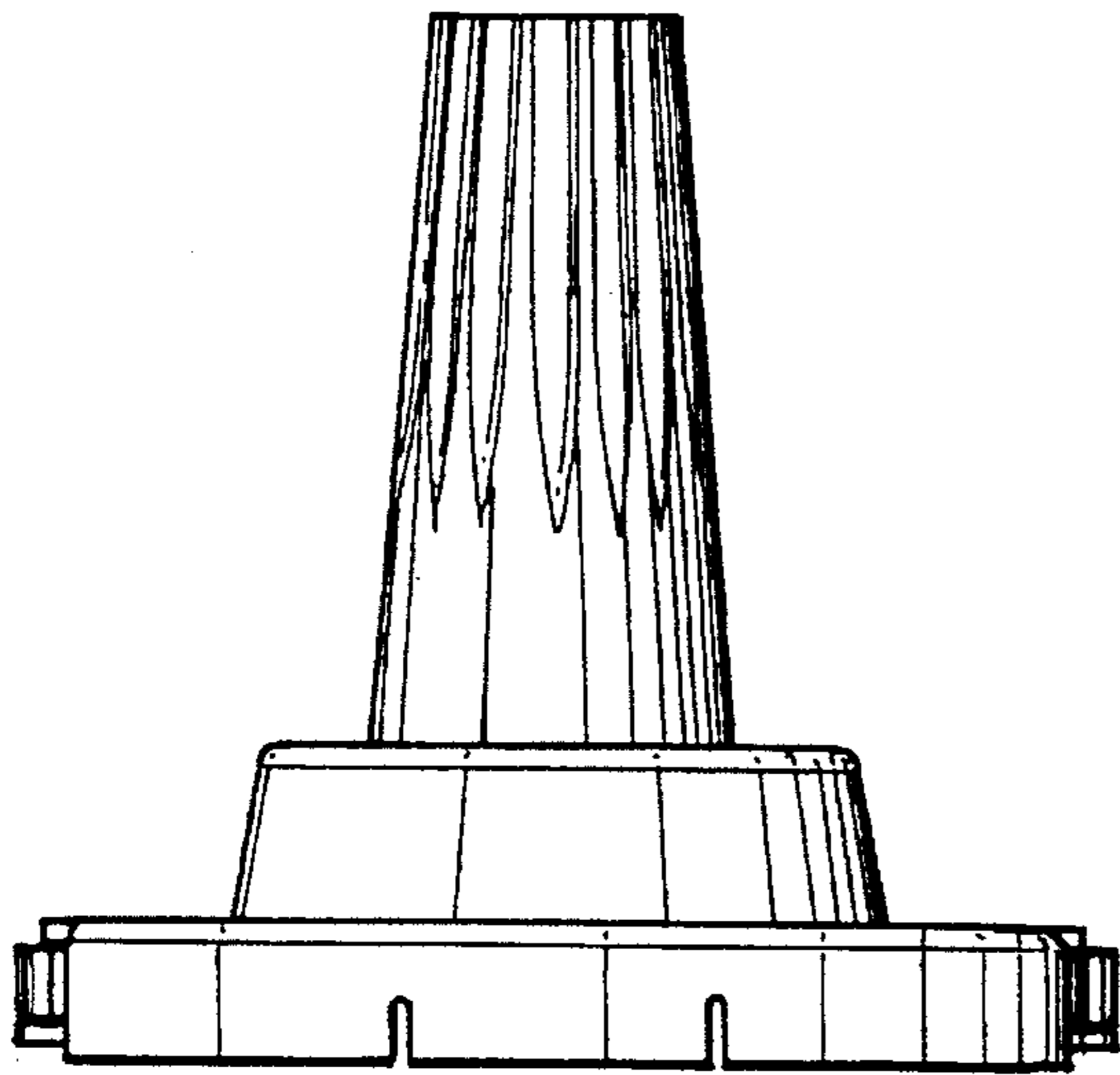


FIG. 2

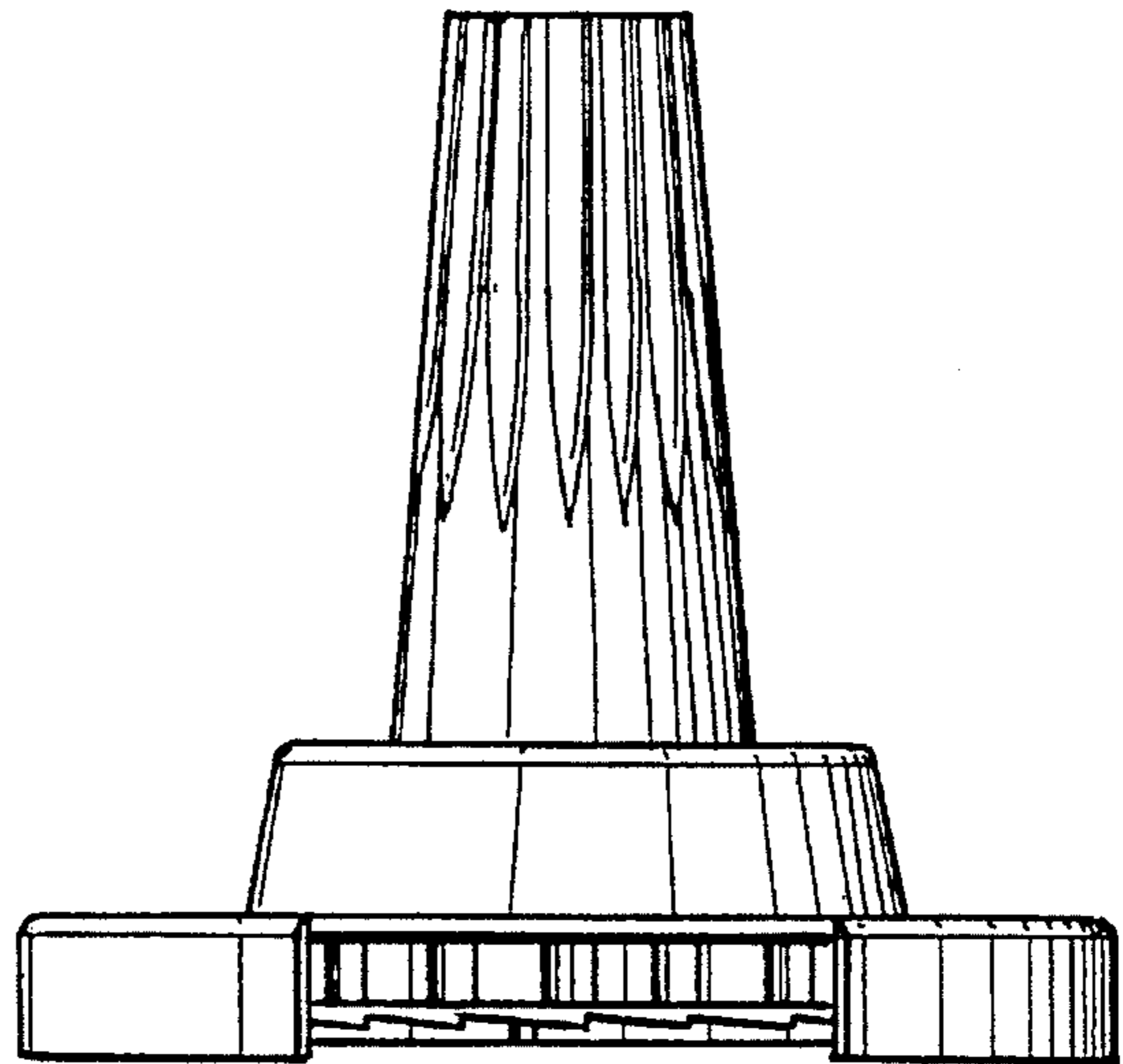


FIG. 3

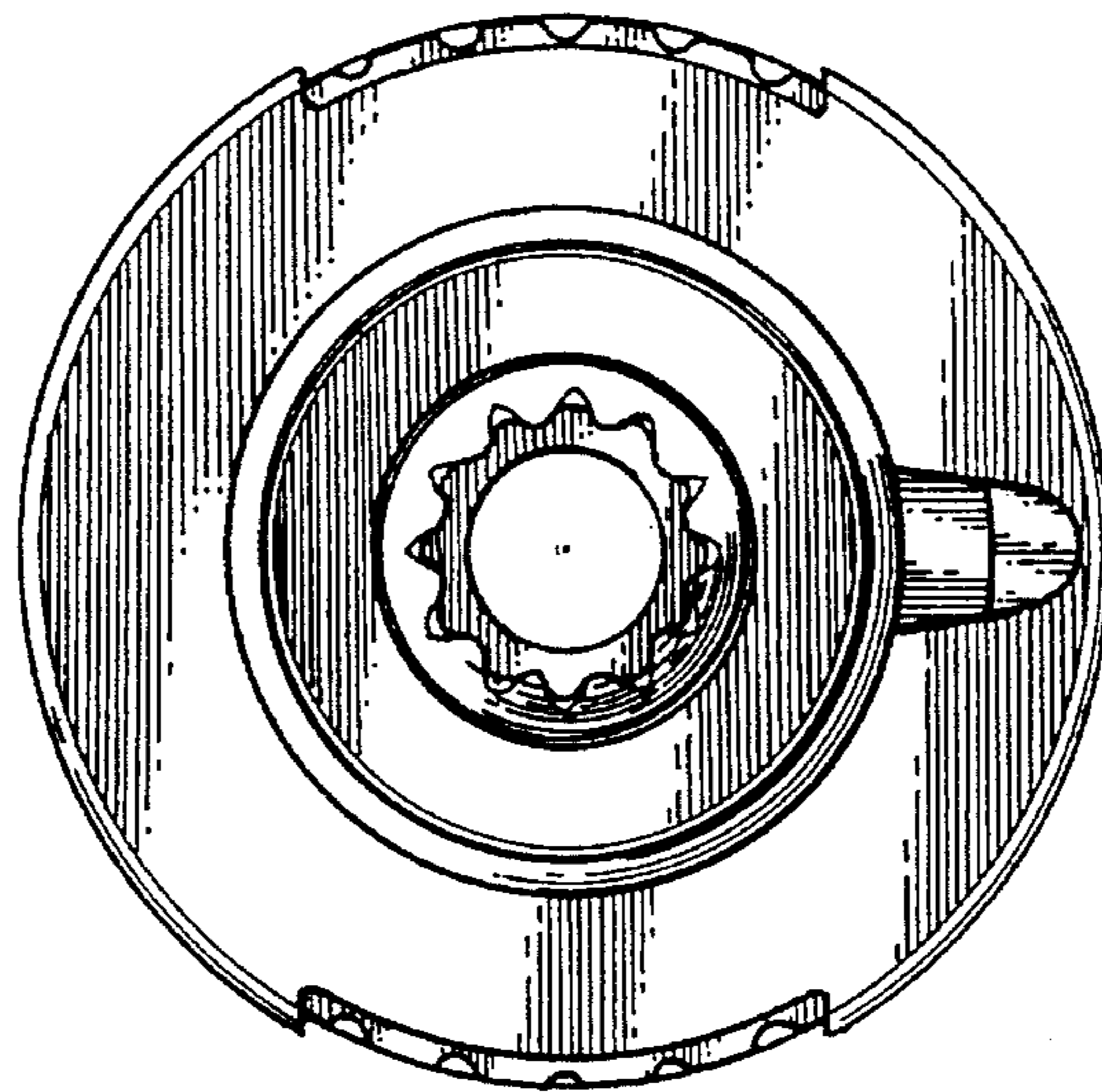


FIG. 4

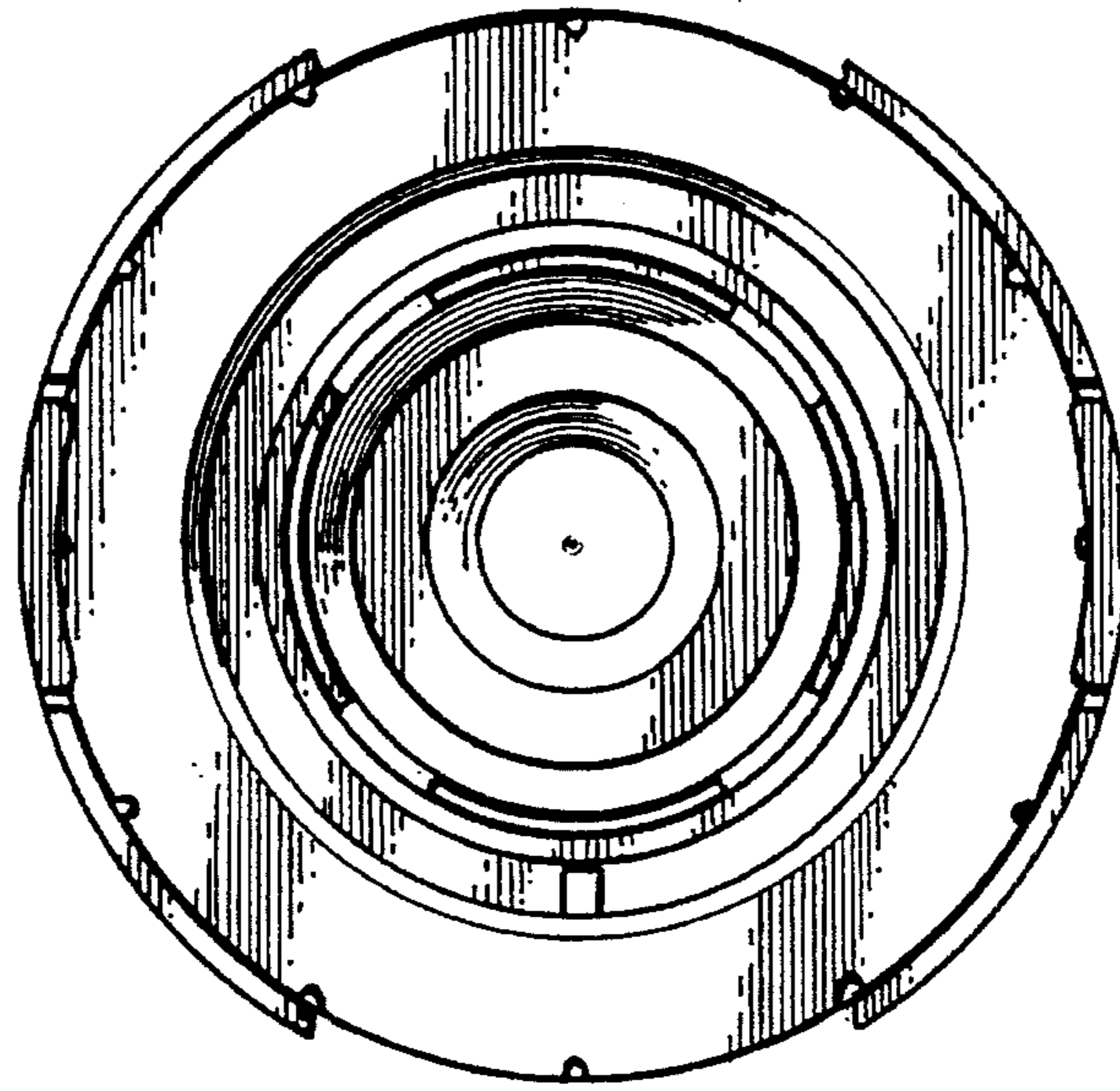


FIG. 5

