



US00D365137S

United States Patent [19]
McDonnell

[11] **Patent Number: Des. 365,137**
[45] **Date of Patent: **Dec. 12, 1995**

[54] **FISHING LURE**
[76] **Inventor: Roger McDonnell, 768 N. Huron,
Linwood, Mich. 48634**

1,677,176 7/1928 Donaly 43/42.13
2,163,378 6/1939 Horvath 43/42.13
2,619,764 12/1952 Mellin D22/129 X
3,238,660 3/1966 Pcola 43/42.5
3,352,052 11/1967 Woll 43/42.5

[**] **Term: 14 Years**

*Primary Examiner—Doris V. Coles
Attorney, Agent, or Firm—John J. Swartz*

[21] **Appl. No.: 18,646**

[57] **CLAIM**

[22] **Filed: Feb. 14, 1994**

[52] **U.S. Cl. D22/129**

The ornamental design for a fishing lure, as shown and described.

[58] **Field of Search** D22/126, 128,
D22/129; 43/42.5, 42.33, 42.52, 42.16,
42.39, 42.14, 42.37, 42.51, 42.13, 42.19,
42.27

DESCRIPTION

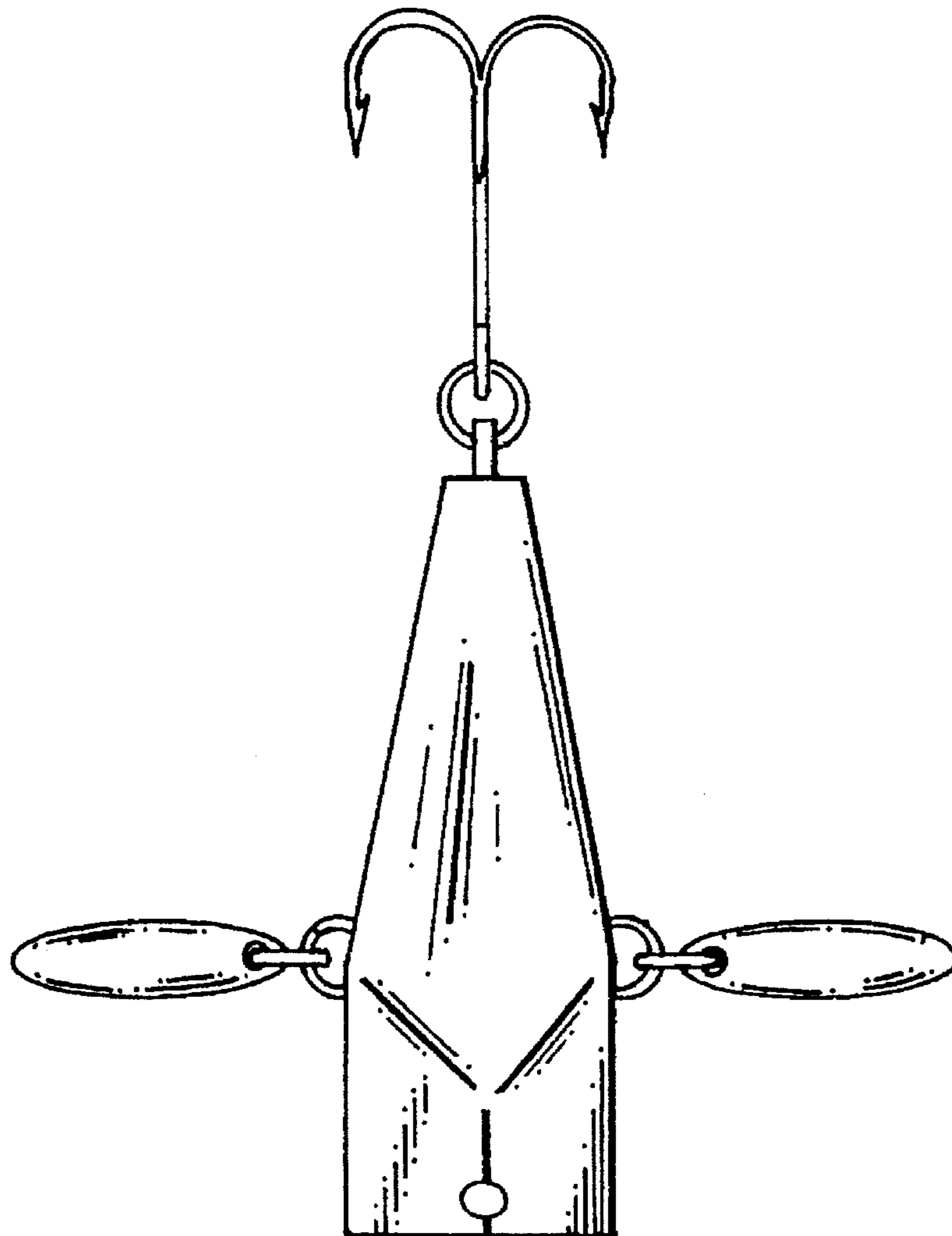
[56] **References Cited**

FIG. 1 is a top plan view of a lure showing my new design of the present invention;
FIG. 2 is a side elevational view thereof, taken from the right side of FIG. 1, the opposite being a mirror image of the side disclosed;
FIG. 3 is a rear elevational view thereof;
FIG. 4 is a front elevational view thereof; and,
FIG. 5 is a bottom plan view thereof.

U.S. PATENT DOCUMENTS

D. 162,776	4/1951	Bekkala	D22/129
D. 203,934	3/1966	Nurmse	D22/126
D. 265,417	7/1982	Selby	D22/129
D. 295,546	5/1988	Marx, Jr.	D22/129
D. 314,223	1/1991	Anderson	D22/129

1 Claim, 1 Drawing Sheet



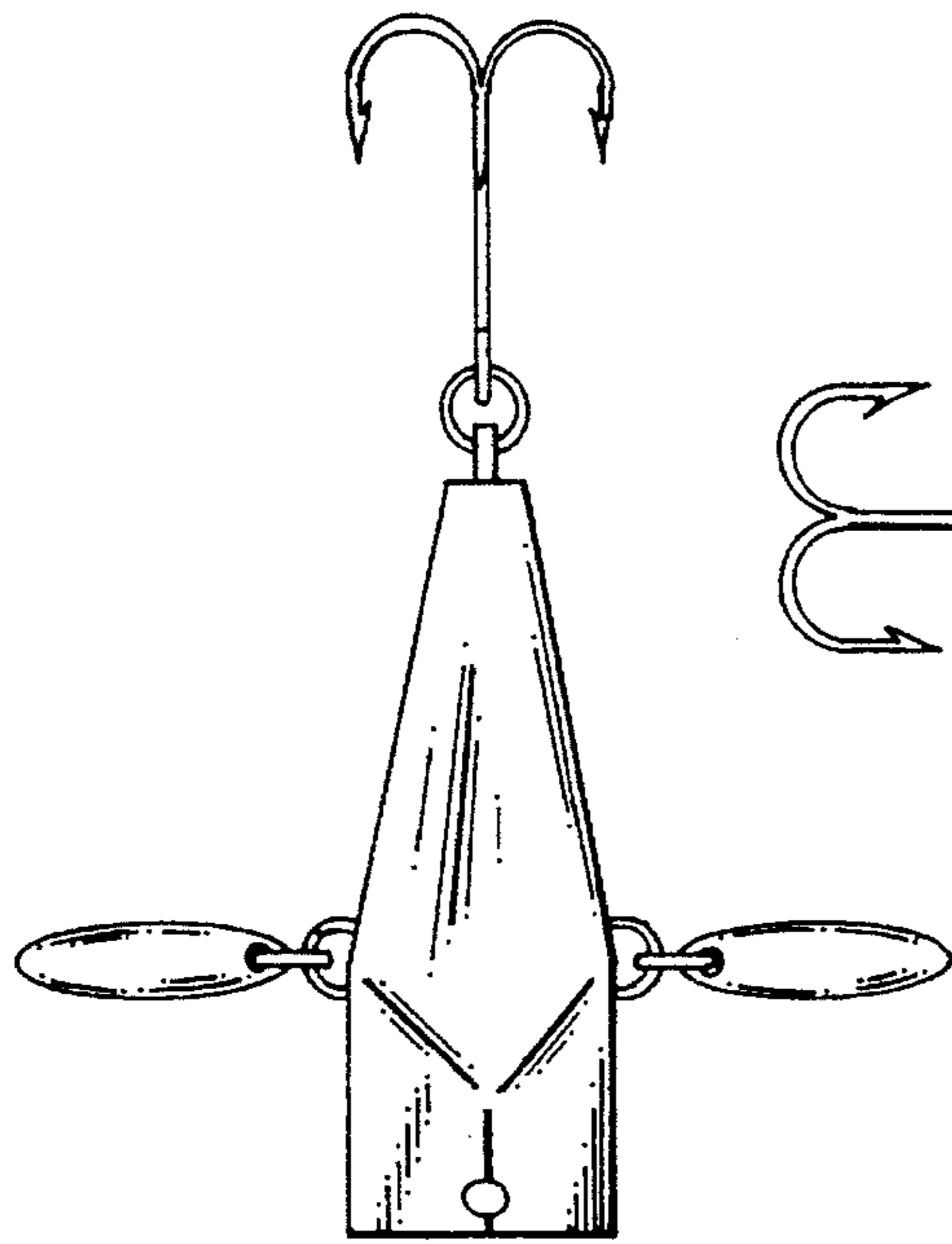


Fig. 1

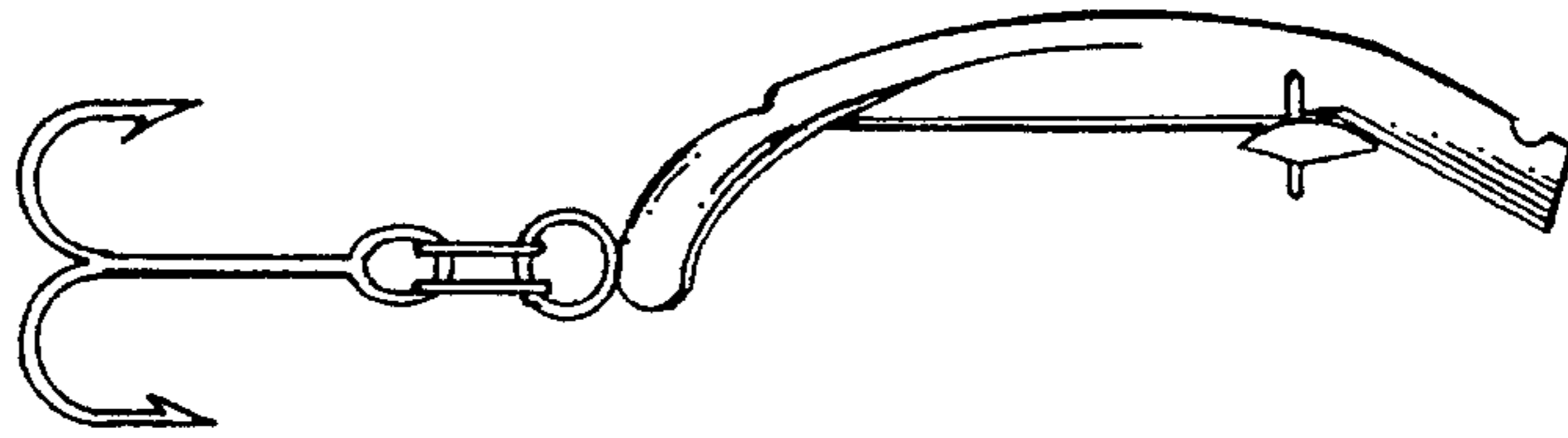


Fig. 2

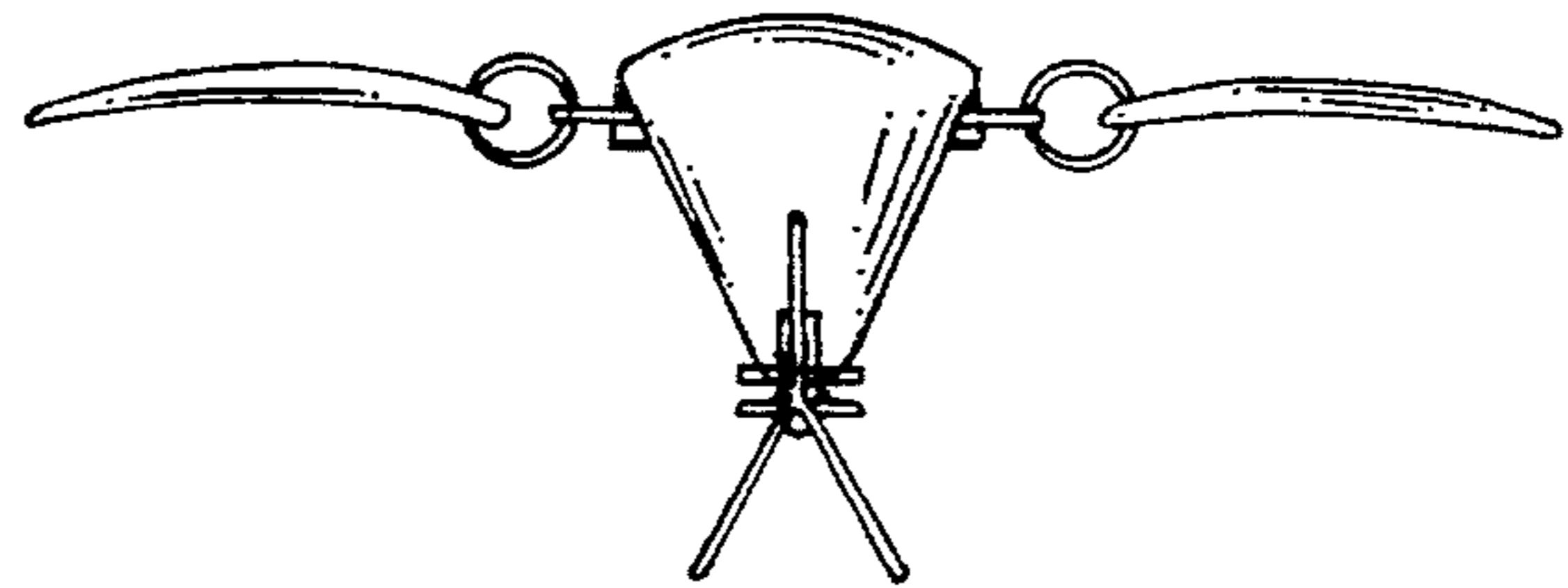


Fig. 3

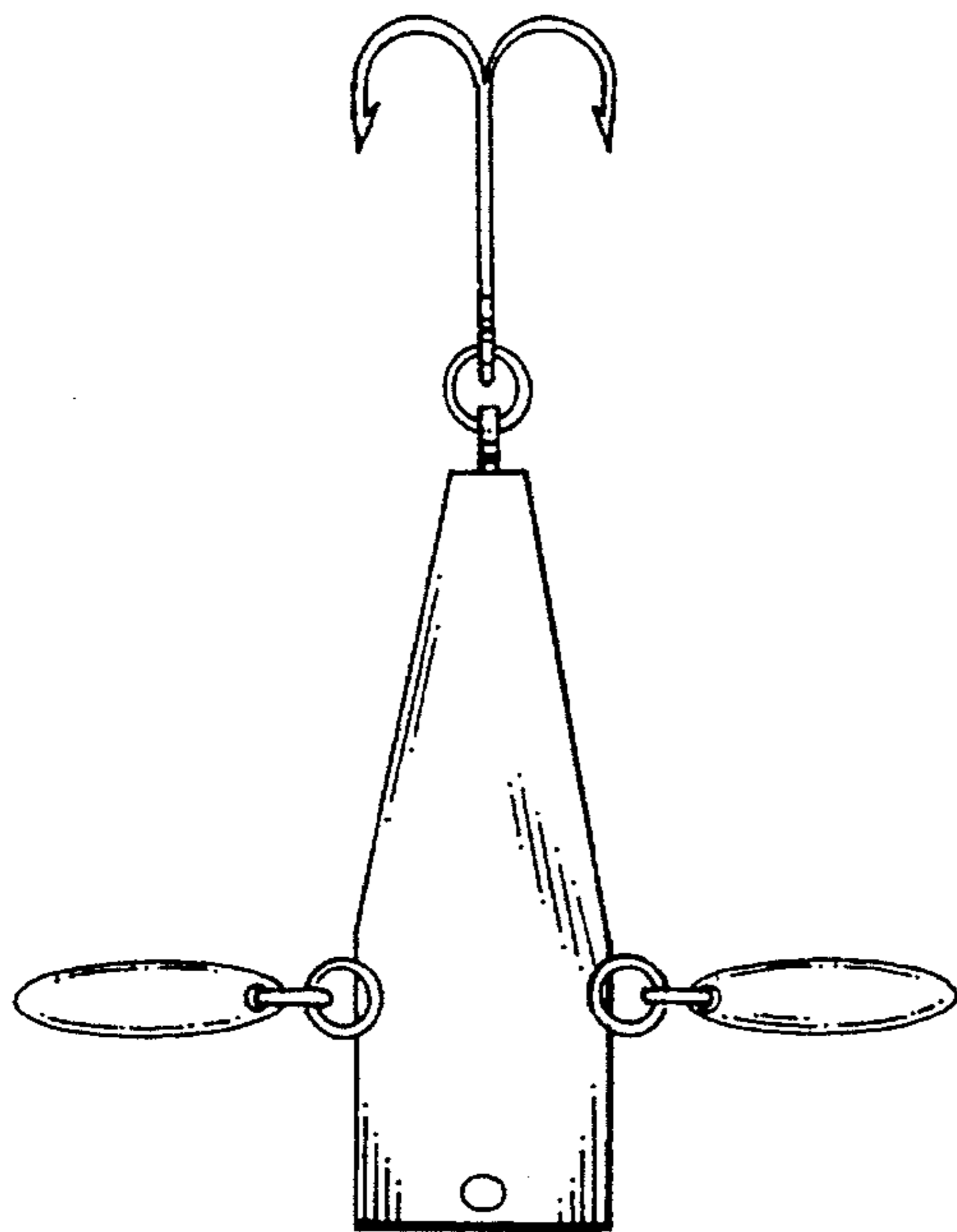


Fig. 5

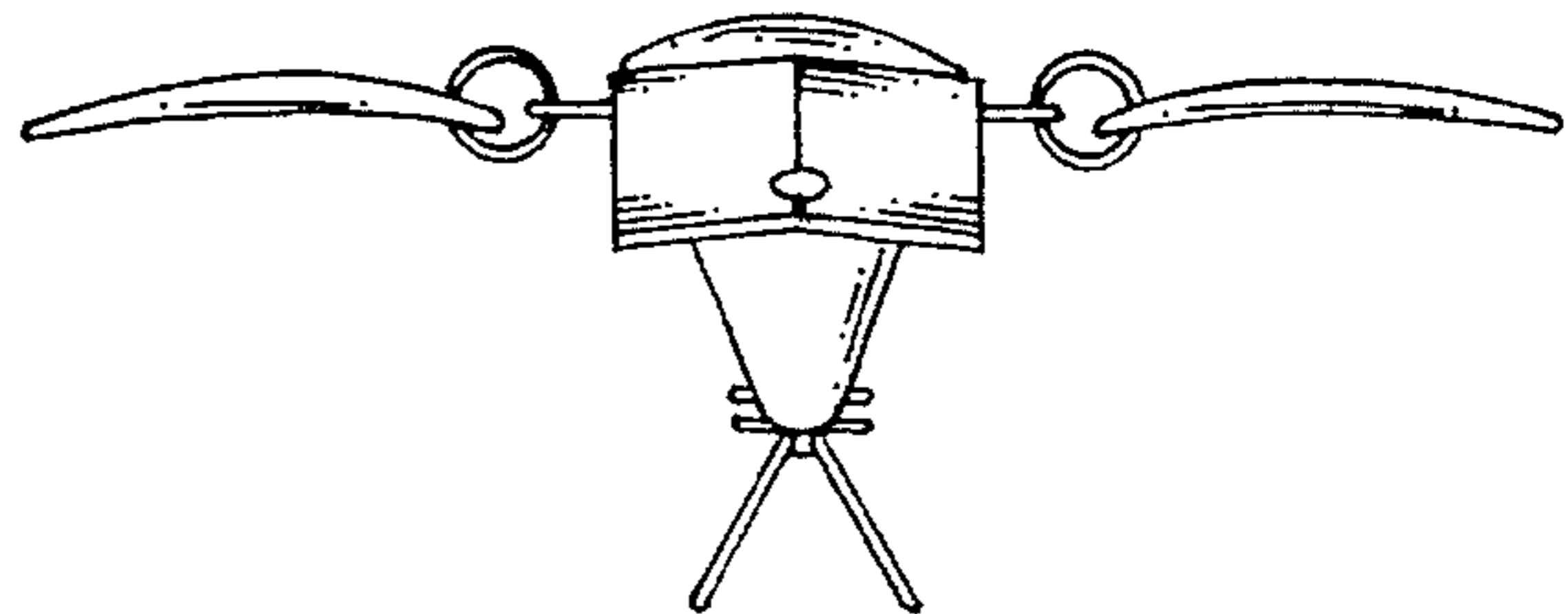


Fig. 4