



US00D365135S

United States Patent [19]
Elliott

[11] **Patent Number: Des. 365,135**

[45] **Date of Patent: **Dec. 12, 1995**

[54] **LOBSTER TRAP SKID**

5,287,647 2/1994 Longo 43/100
5,398,441 3/1995 Melanson 43/100

[76] Inventor: **Harold E. Elliott**, R.R. #1, Wallace,
N.S., Canada, B0K 1Y0

FOREIGN PATENT DOCUMENTS

[**] Term: **14 Years**

672575 10/1963 Canada 43/100
1505354 3/1978 United Kingdom 43/100

[21] Appl. No.: **23,943**

Primary Examiner—Kay H. Chin

[22] Filed: **Jun. 3, 1994**

[57] **CLAIM**

[30] **Foreign Application Priority Data**

The ornamental design for a lobster trap skid, as shown and described.

Mar. 2, 1994 [CA] Canada 1994-0395

[52] **U.S. Cl.** **D22/121**

DESCRIPTION

[58] **Field of Search** D12/317; 114/140,
114/121, 39.1; D22/121; 43/100, 103, 104,
106

FIG. 1 is a top view of the lobster trap skid showing my new design;
FIG. 2 is a side view of the design;
FIG. 3 is an end view of the design;
FIG. 4 is a bottom view of the design;
FIG. 5 is a perspective view of a pair of lobster trap skids, showing the lobster trap in dotted lines.

[56] **References Cited**

U.S. PATENT DOCUMENTS

3,003,278 10/1961 Armentrout 43/103
4,986,204 1/1991 Yoshida 114/121
4,993,342 2/1991 Eymard 114/140

1 Claim, 2 Drawing Sheets

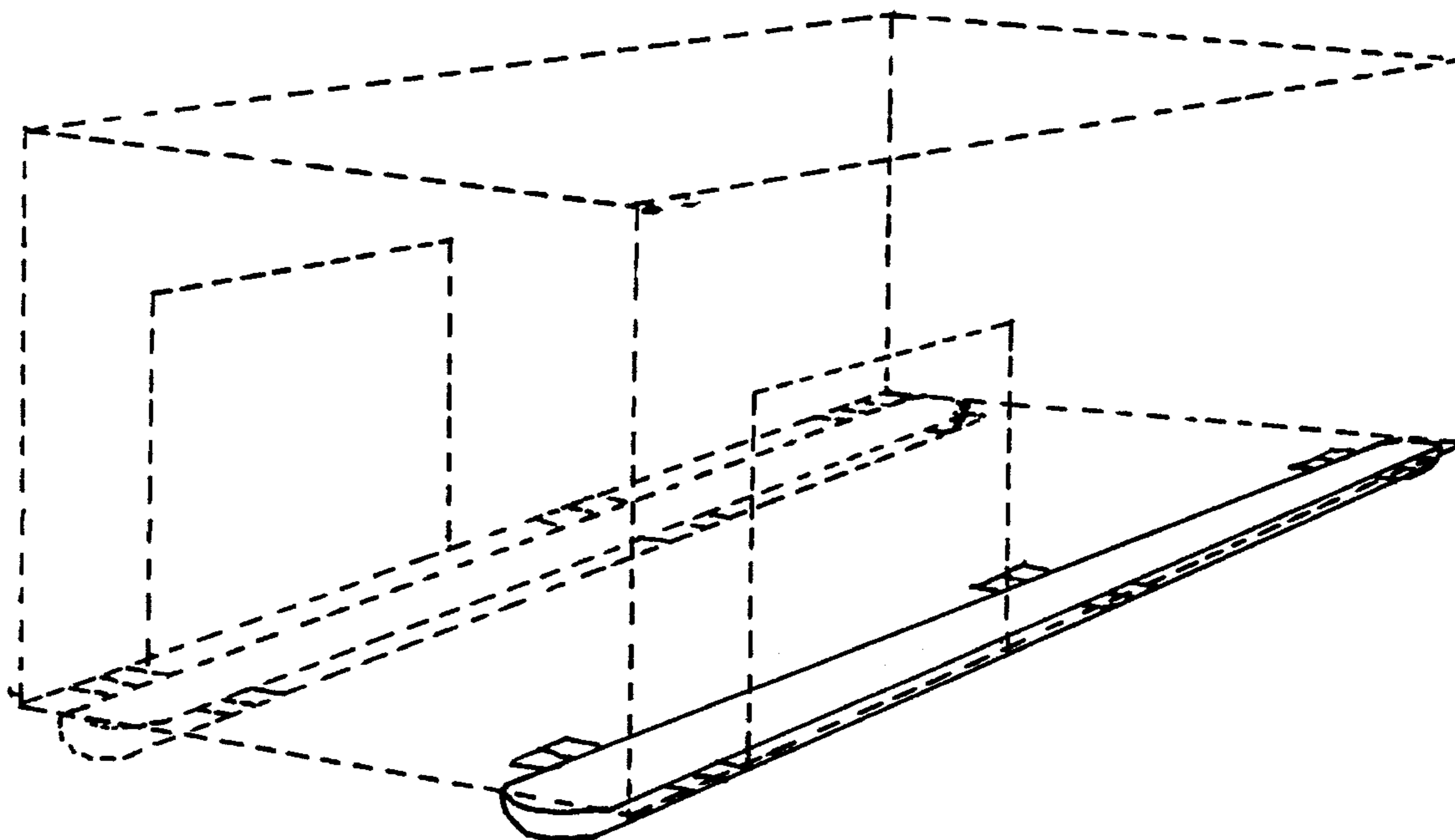




FIG 3

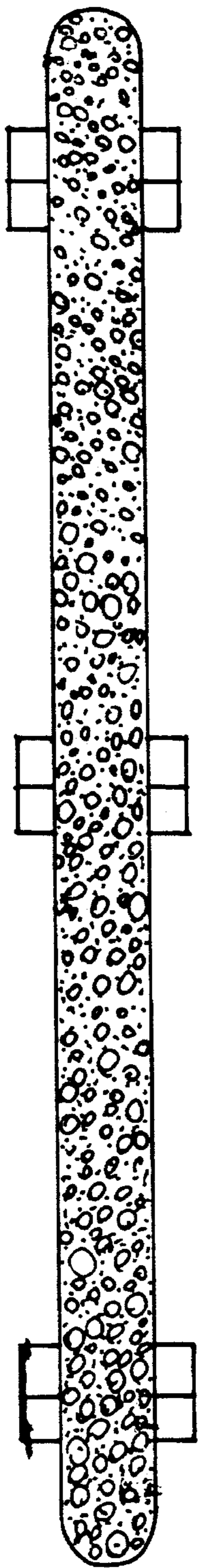


FIG 1



FIG 2

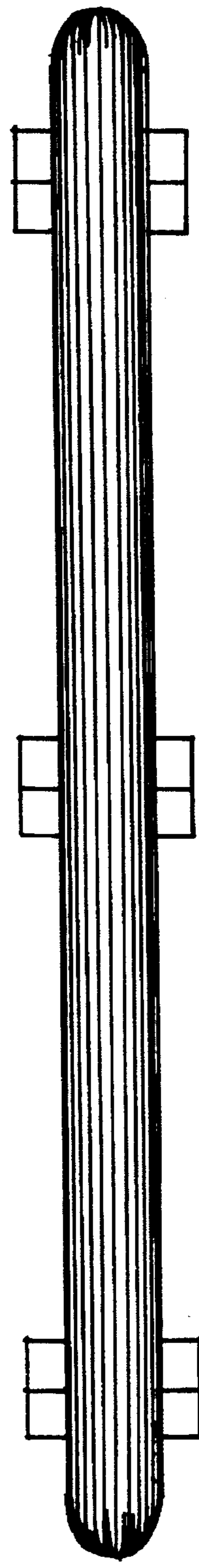


FIG 4

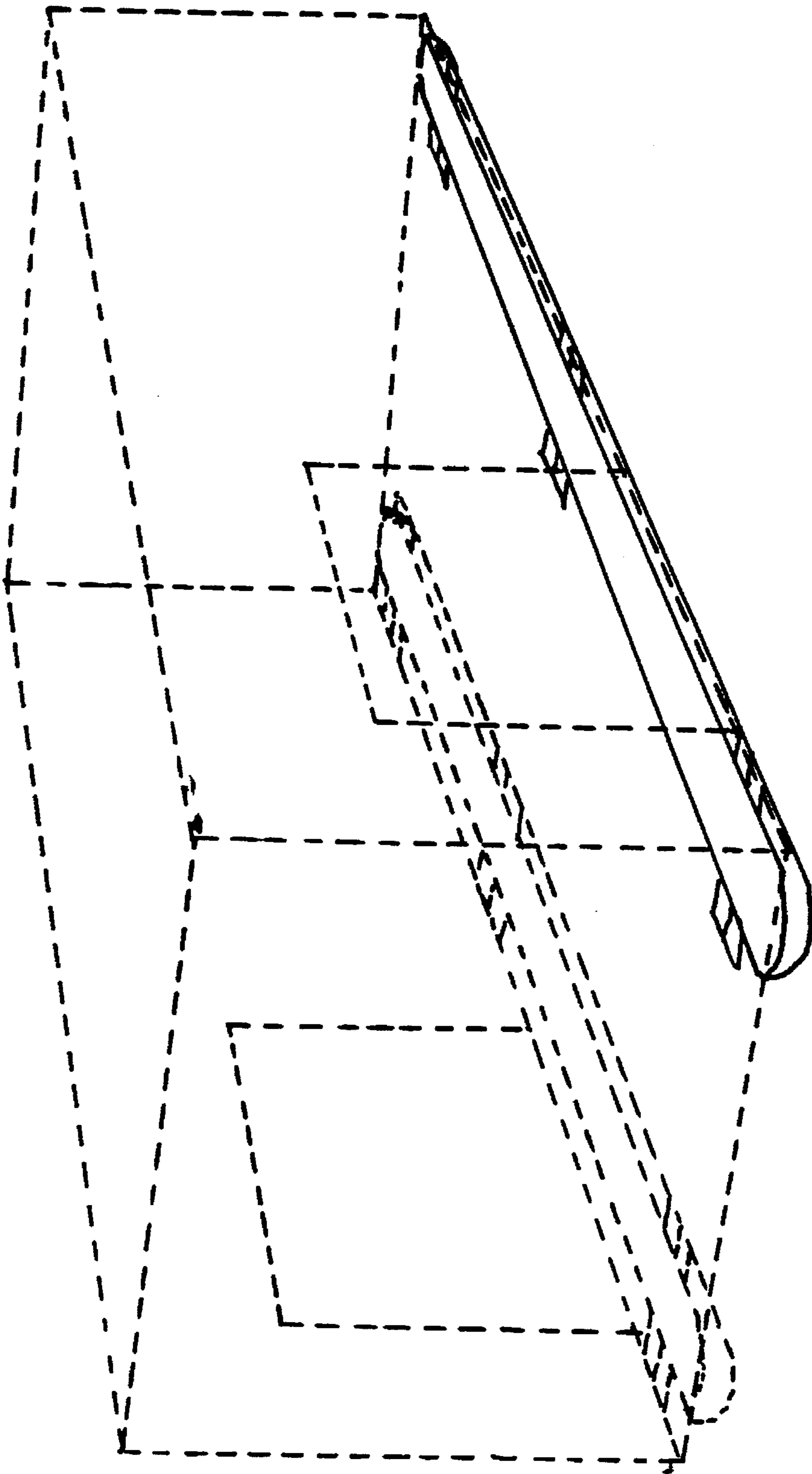


FIG 5