



US00D365133S

United States Patent [19]

[11] Patent Number: **Des. 365,133**

Belmont

[45] Date of Patent: ****Dec. 12, 1995**

[54] **COMBINED GOLF DIVOT REPAIR TOOL AND MARKER**

3,622,157 11/1971 Hatch 273/32 B X
5,292,120 3/1994 Pehoski et al. 273/32 B

[75] Inventor: **Vincent Belmont**, Bronx, N.Y.

Primary Examiner—Ted Shooman

Assistant Examiner—Cheri Cohen

[73] Assignee: **Golf Thing, Inc.**, West Nyack, N.Y.

Attorney, Agent, or Firm—Malin, Haley, DiMaggio & Crosby

[**] Term: **14 Years**

[57] **CLAIM**

[21] Appl. No.: **34,581**

The ornamental design for a combined golf divot repair tool and marker, as shown and described.

[22] Filed: **Feb. 8, 1995**

DESCRIPTION

Related U.S. Application Data

[63] Continuation of Ser. No. 245,571, Jul. 15, 1994.

[52] U.S. Cl. **D21/234**

[58] Field of Search D21/234; 273/32 B

FIG. 1 is an exploded perspective view of a combined golf divot repair tool and marker showing my new design;

FIG. 2 is a bottom plan view thereof;

FIG. 3 is a front elevational view thereof;

FIG. 4 is a left side elevational view thereof;

FIG. 5 is a top plan view thereof;

FIG. 6 is a right side elevational view thereof; and,

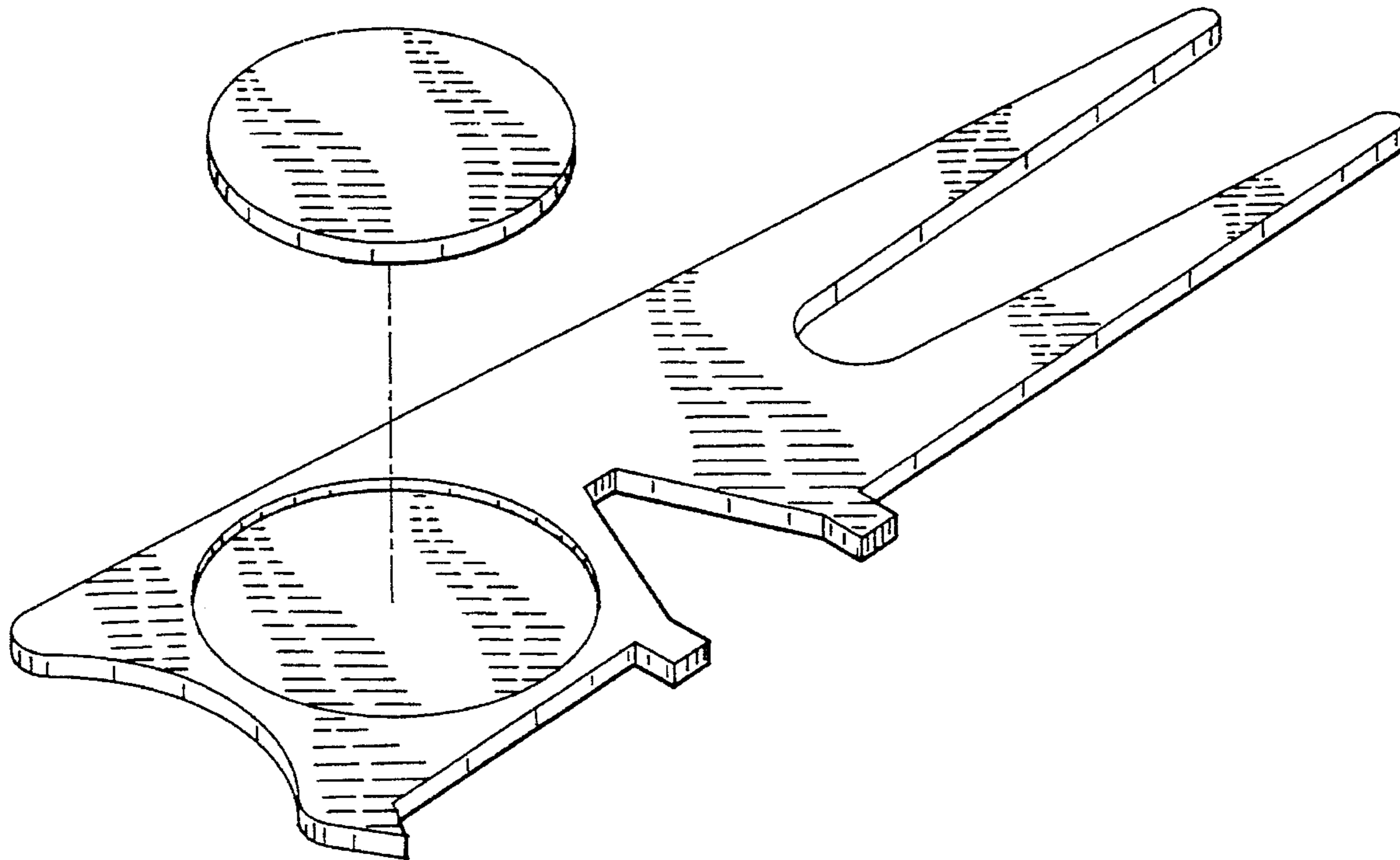
FIG. 7 is a back elevational view thereof.

[56] **References Cited**

U.S. PATENT DOCUMENTS

D. 247,056 1/1978 McClaskie D21/234
D. 331,090 11/1992 Cellura D21/234
D. 357,964 5/1995 Williams D21/234

1 Claim, 2 Drawing Sheets



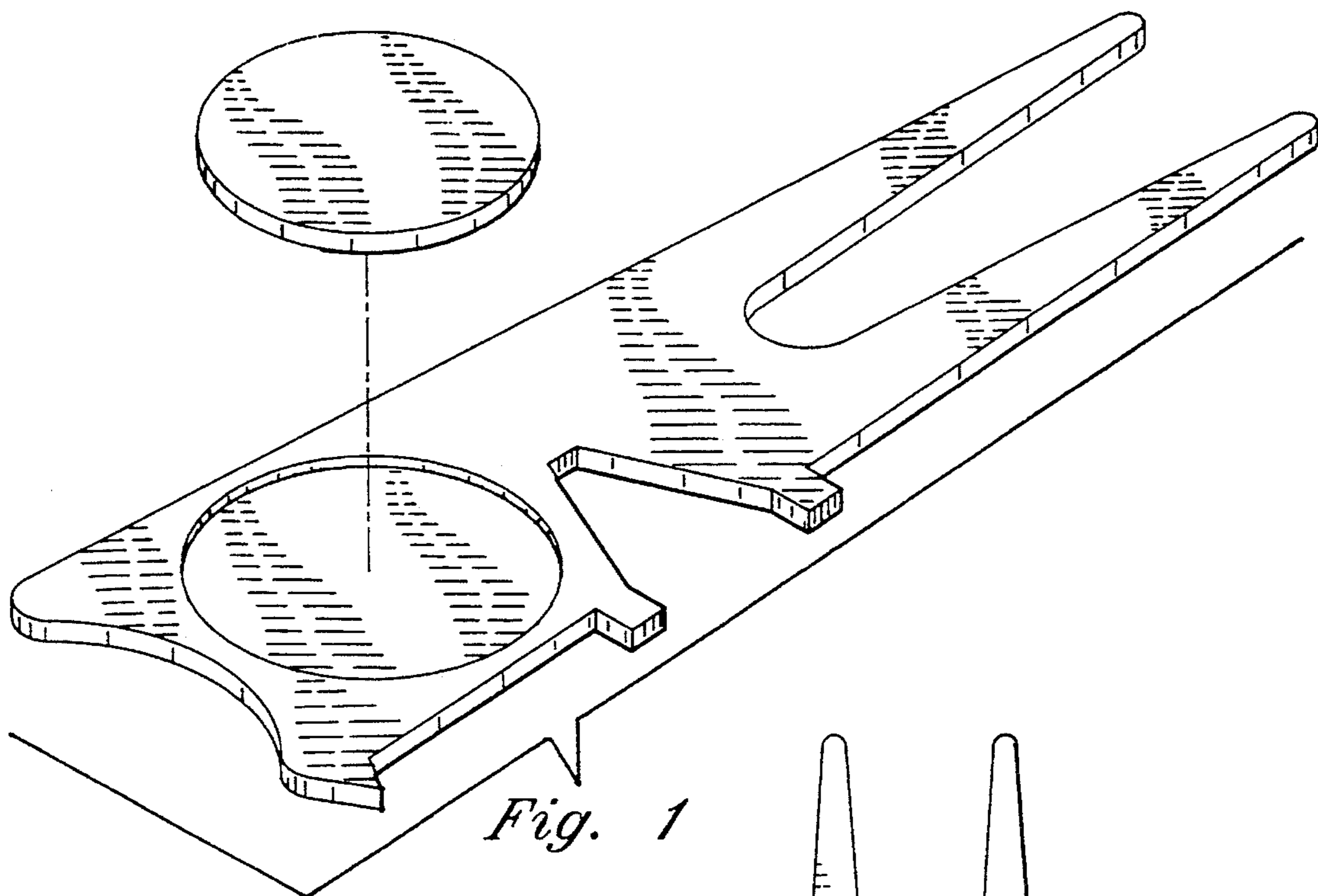


Fig. 1

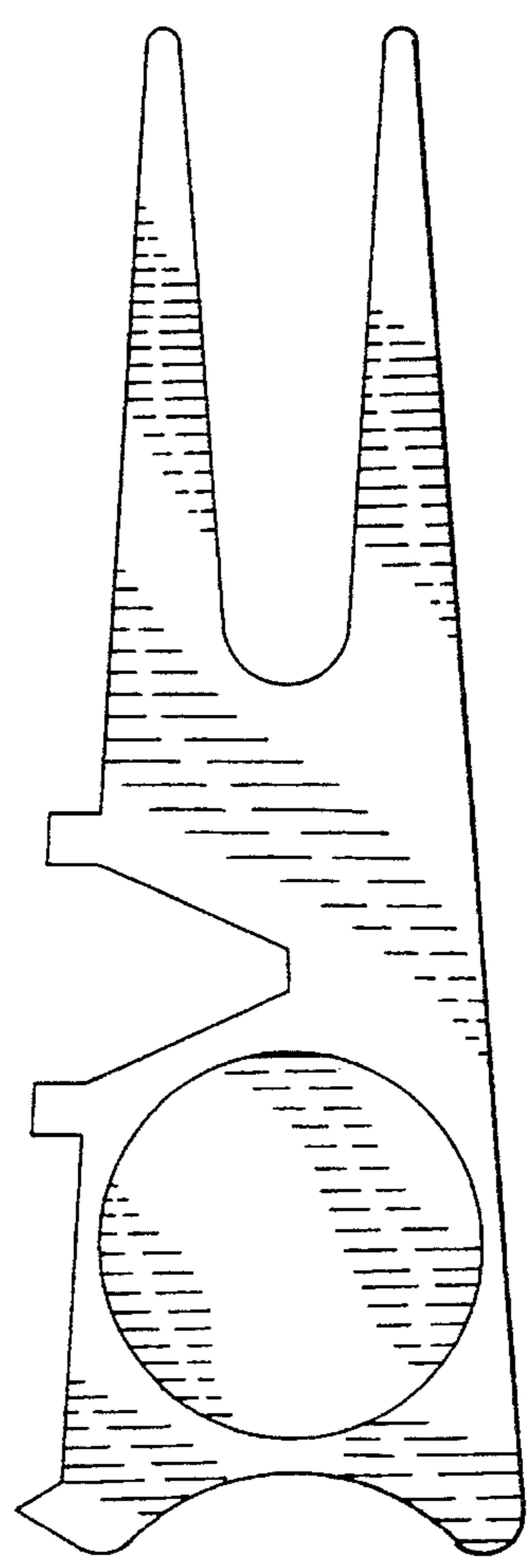


Fig. 2

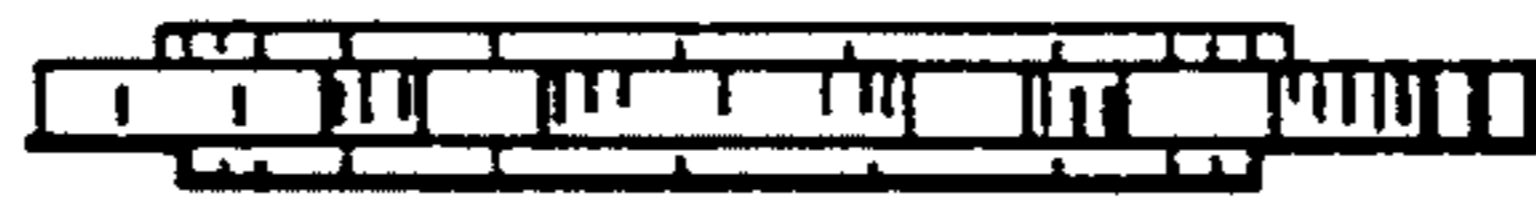


Fig. 3



Fig. 4

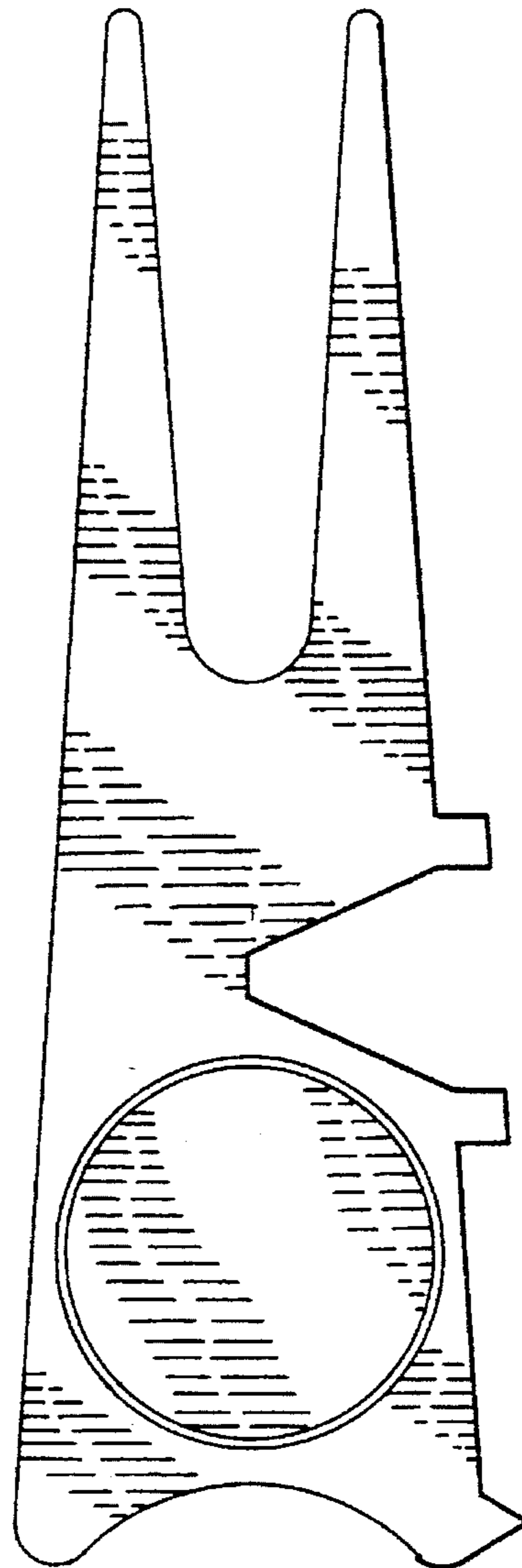


Fig. 5



Fig. 6

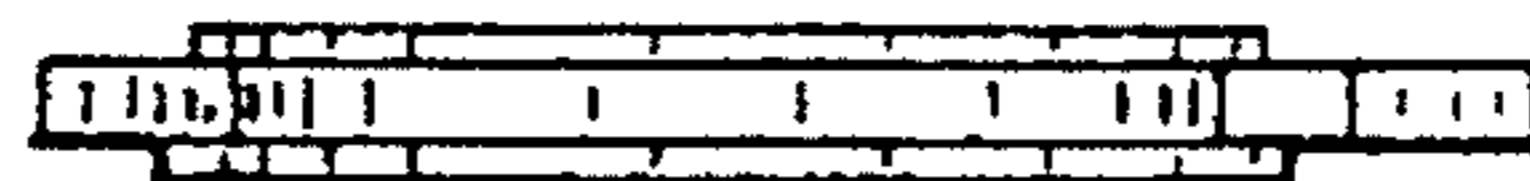


Fig. 7