



US00D365132S

United States Patent [19] Sims

[11] Patent Number: Des. 365,132

[45] Date of Patent: **Dec. 12, 1995

[54] SNOWBOARD BINDING

[76] Inventor: **Thomas P. Sims**, 340 Calle Liptizana,
Goleta, Calif. 93117

[**] Term: **14 Years**

[21] Appl. No.: **18,111**

[22] Filed: **Jan. 28, 1994**

| | | |
|-----------|---------|----------------------|
| 0393383B1 | 3/1990 | European Pat. Off. . |
| 0424846B1 | 10/1990 | European Pat. Off. . |
| 0465794B1 | 5/1991 | European Pat. Off. . |
| 0595176A1 | 10/1993 | European Pat. Off. . |
| 0595170A1 | 10/1993 | European Pat. Off. . |
| 0532951 | 8/1929 | Germany . |
| 9300867 | 9/1993 | WIPO . |
| 9302904 | 10/1993 | WIPO . |
| 9301038 | 10/1993 | WIPO . |

Related U.S. Application Data

[63] Continuation-in-part of Ser. No. 17,662, Jan. 18, 1994, Pat. No. Des. 357,296.

[52] U.S. Cl. **D21/230**

[58] Field of Search **D21/230; 280/617, 280/14.2, 607**

Primary Examiner—Kay H. Chin
Attorney, Agent, or Firm—Knobbe, Martens, Olson & Bear

[57] CLAIM

The ornamental design for a snowboard binding, as shown and described.

DESCRIPTION

FIG. 1 is a top perspective view of the snowboard binding showing my new design;
 FIG. 2 is a top plan view thereof;
 FIG. 3 is a bottom plan view thereof;
 FIG. 4 is a front elevational view thereof;
 FIG. 5 is a rear elevational view thereof;
 FIG. 6 is a right side elevational view thereof;
 FIG. 7 is a left side elevational view thereof;
 FIG. 8 is a top plan view of the base member of the snowboard binding, the remaining portion of the snowboard binding being omitted for convenience of illustration and clarity;
 FIG. 9 is a bottom plan view of FIG. 8;
 FIG. 10 is a front elevational view of FIG. 8;
 FIG. 11 is a rear elevational view of FIG. 8; and,
 FIG. 12 is a side elevational view of FIG. 8.

[56] References Cited

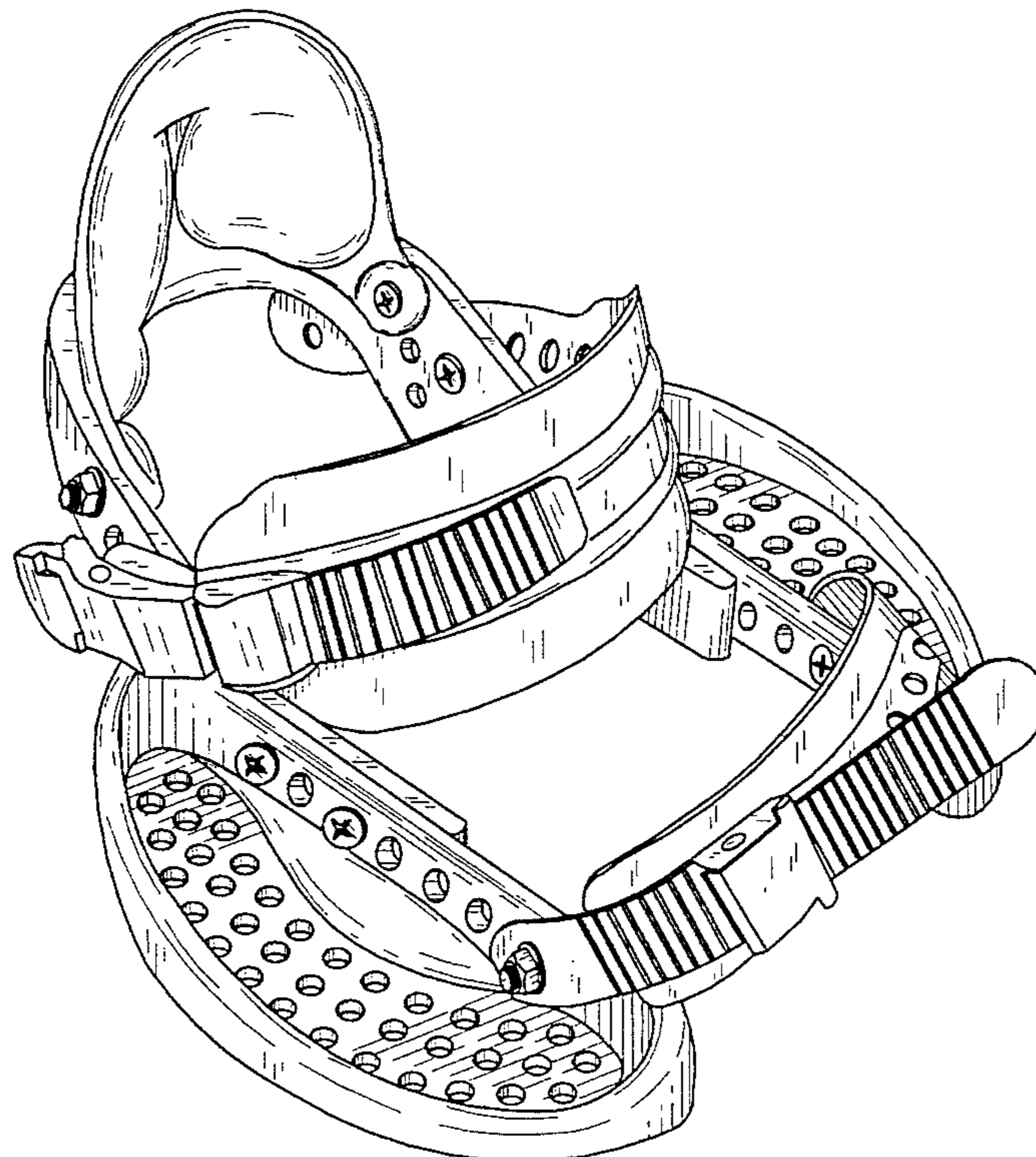
U.S. PATENT DOCUMENTS

| | | | |
|------------|---------|-----------------------|----------|
| Re. 33,544 | 2/1991 | Dennis . | |
| D. 308,997 | 7/1990 | Katz | D21/230 |
| D. 346,419 | 4/1994 | Carpenter | D21/230 |
| 2,165,547 | 7/1939 | Hill . | |
| 4,969,655 | 11/1990 | Katz . | |
| 4,973,073 | 11/1990 | Raines et al. . | |
| 4,979,760 | 12/1990 | Derrah . | |
| 5,028,068 | 7/1991 | Donovan . | |
| 5,090,722 | 2/1992 | Ritchie et al. . | |
| 5,172,924 | 12/1992 | Barci . | |
| 5,190,311 | 3/1993 | Carpenter . | |
| 5,261,689 | 11/1993 | Carpenter et al. | 280/14.2 |

FOREIGN PATENT DOCUMENTS

0437172B1 1/1990 European Pat. Off. .

1 Claim, 8 Drawing Sheets



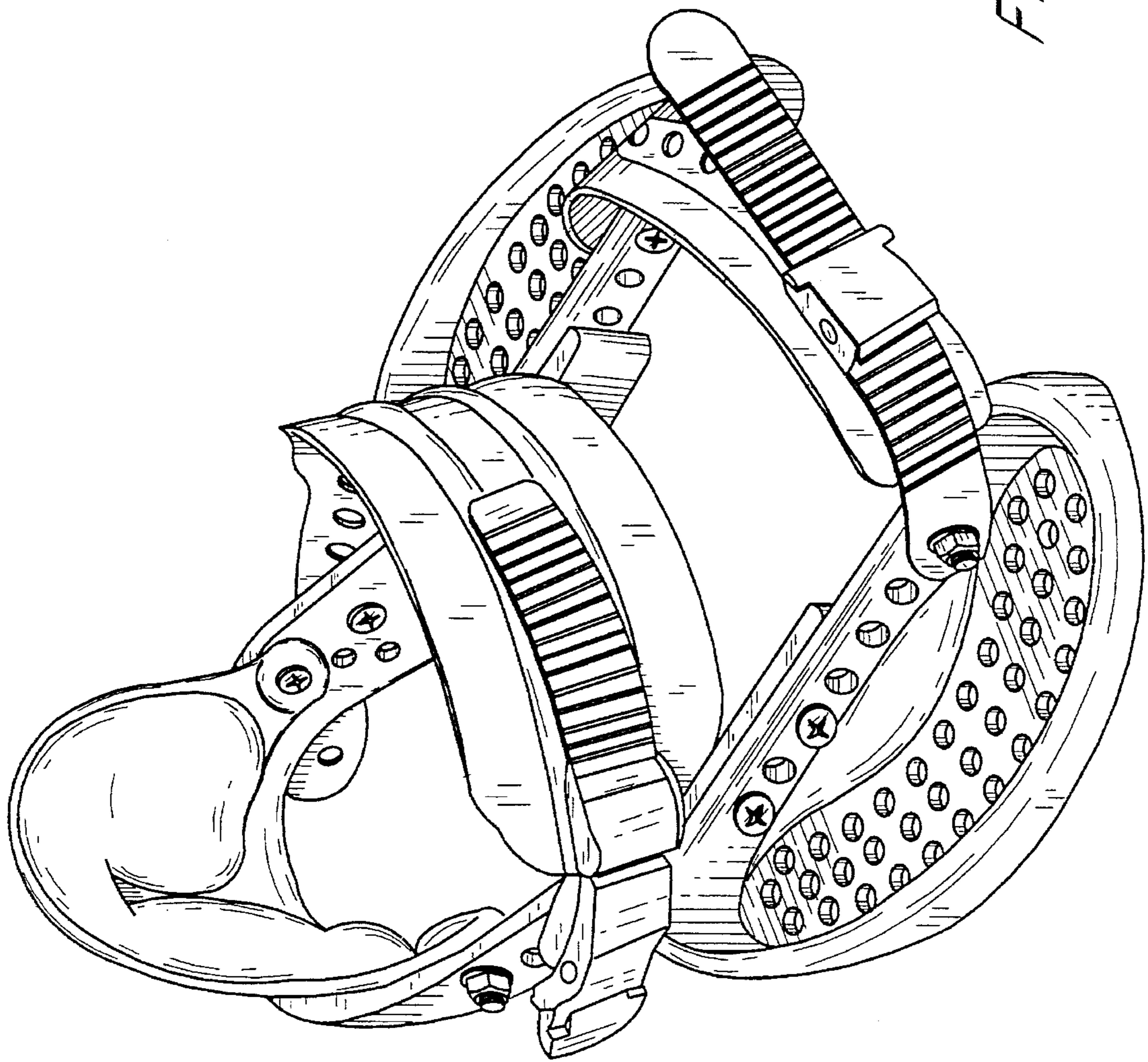


FIG. 1

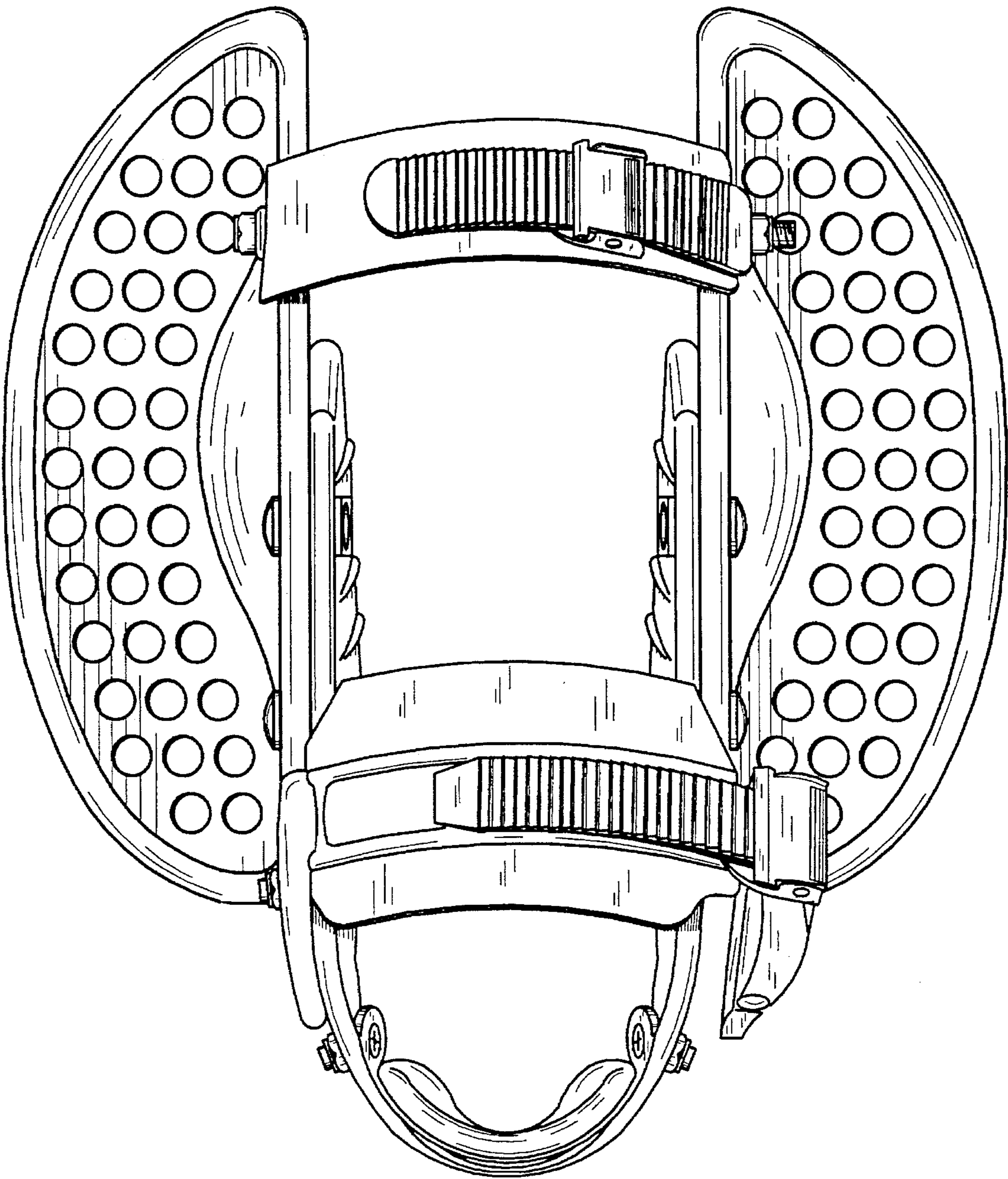


FIG. 2

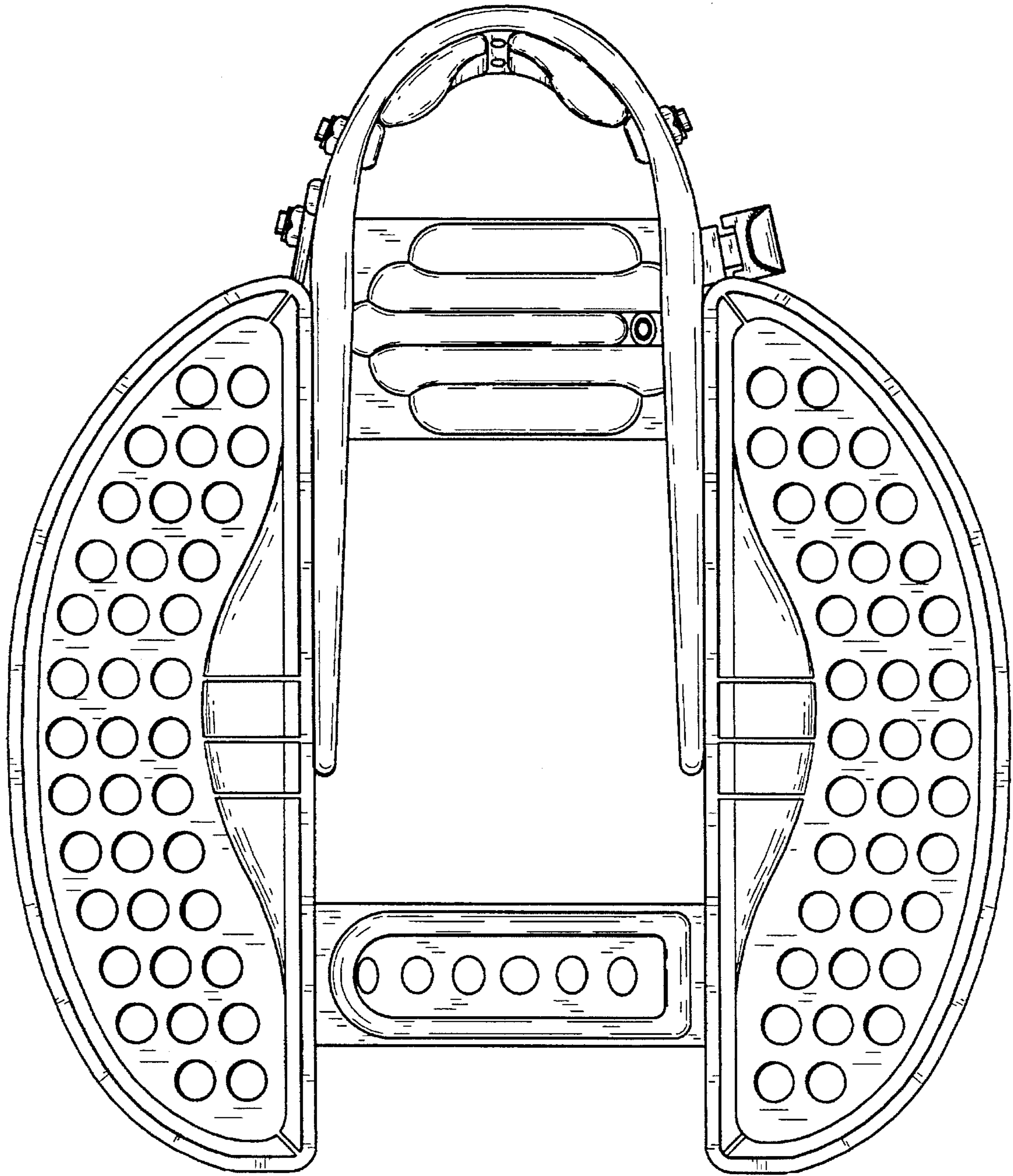


FIG. 3

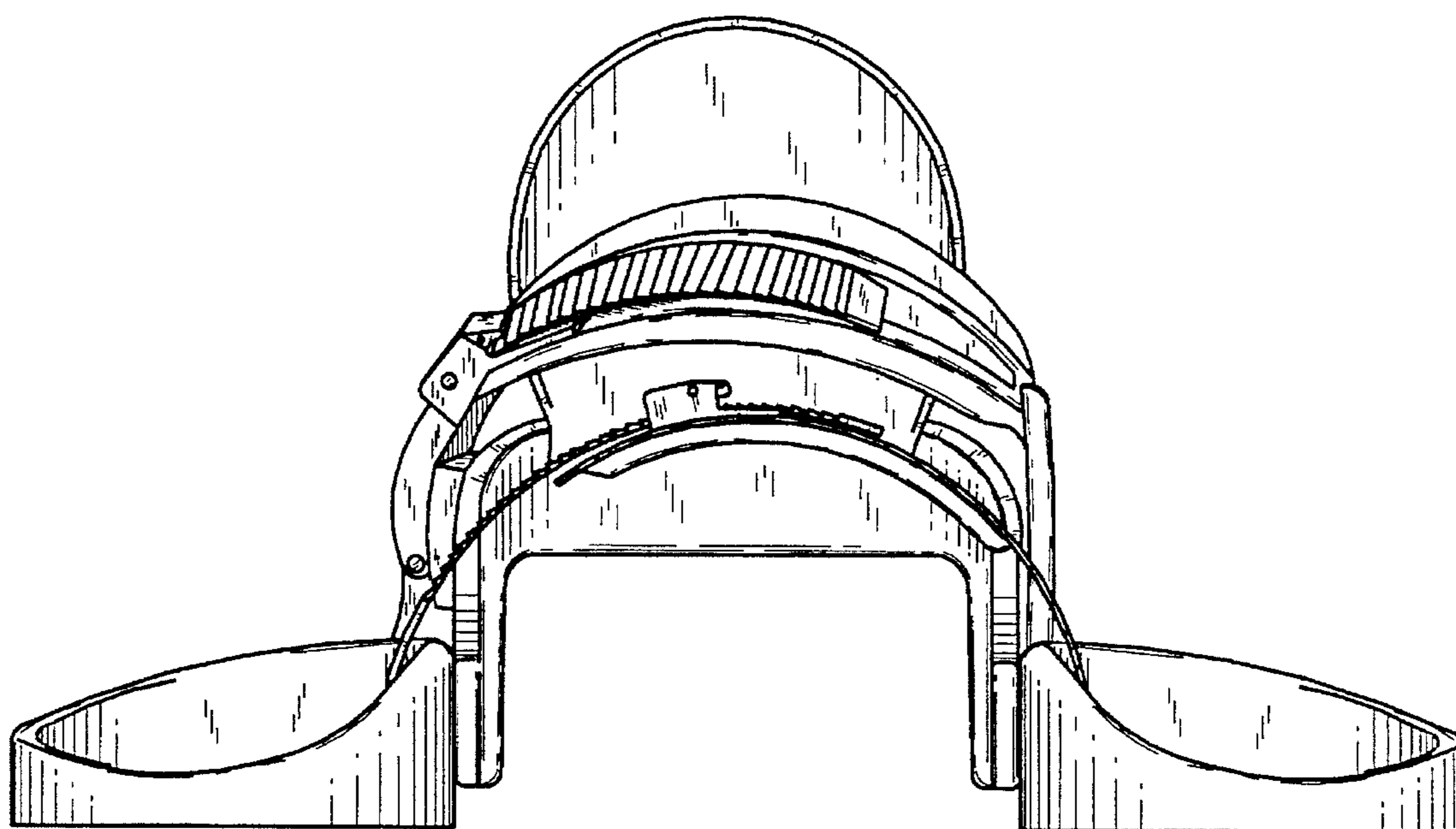


FIG. 4

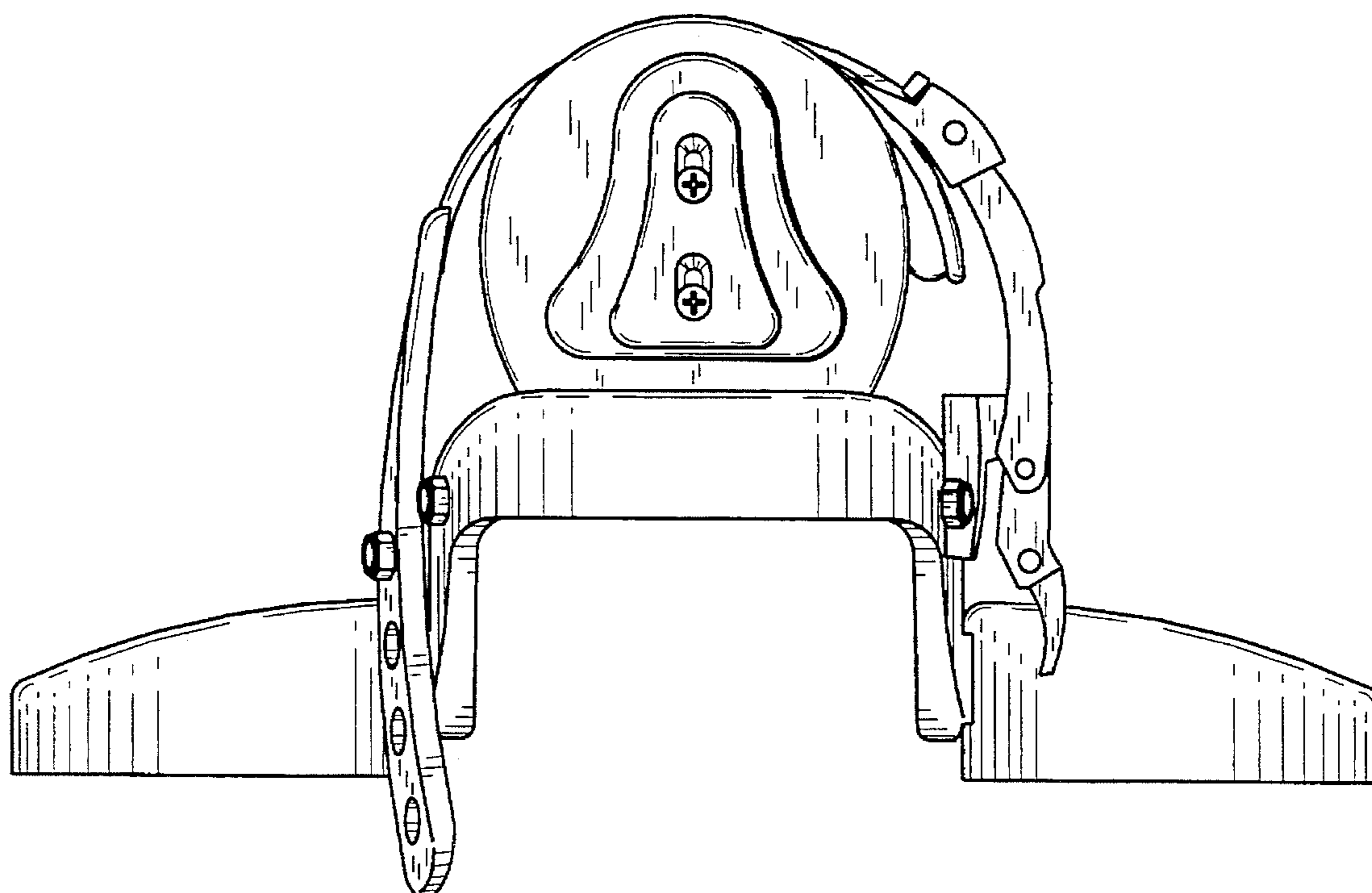


FIG. 5

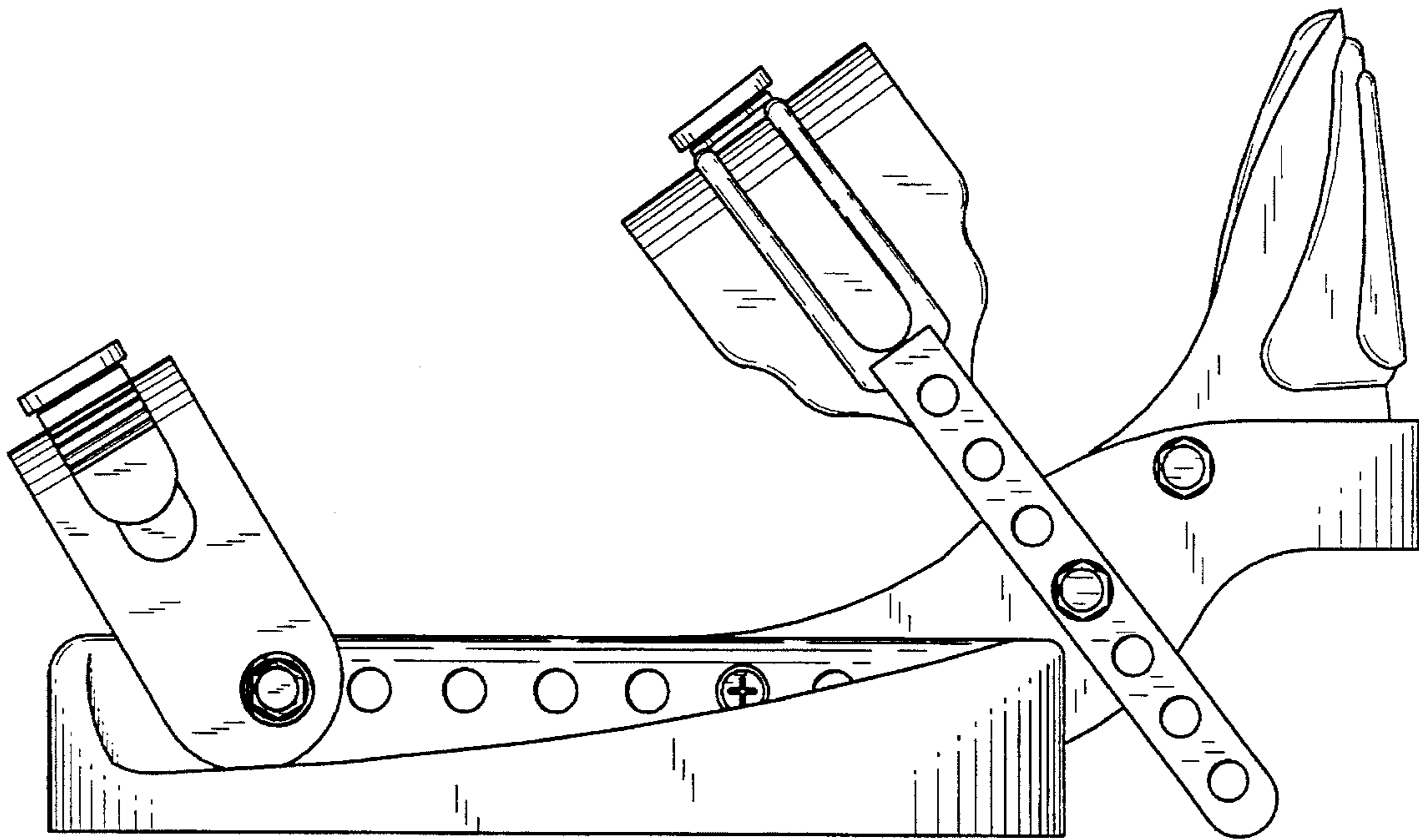


FIG. 6

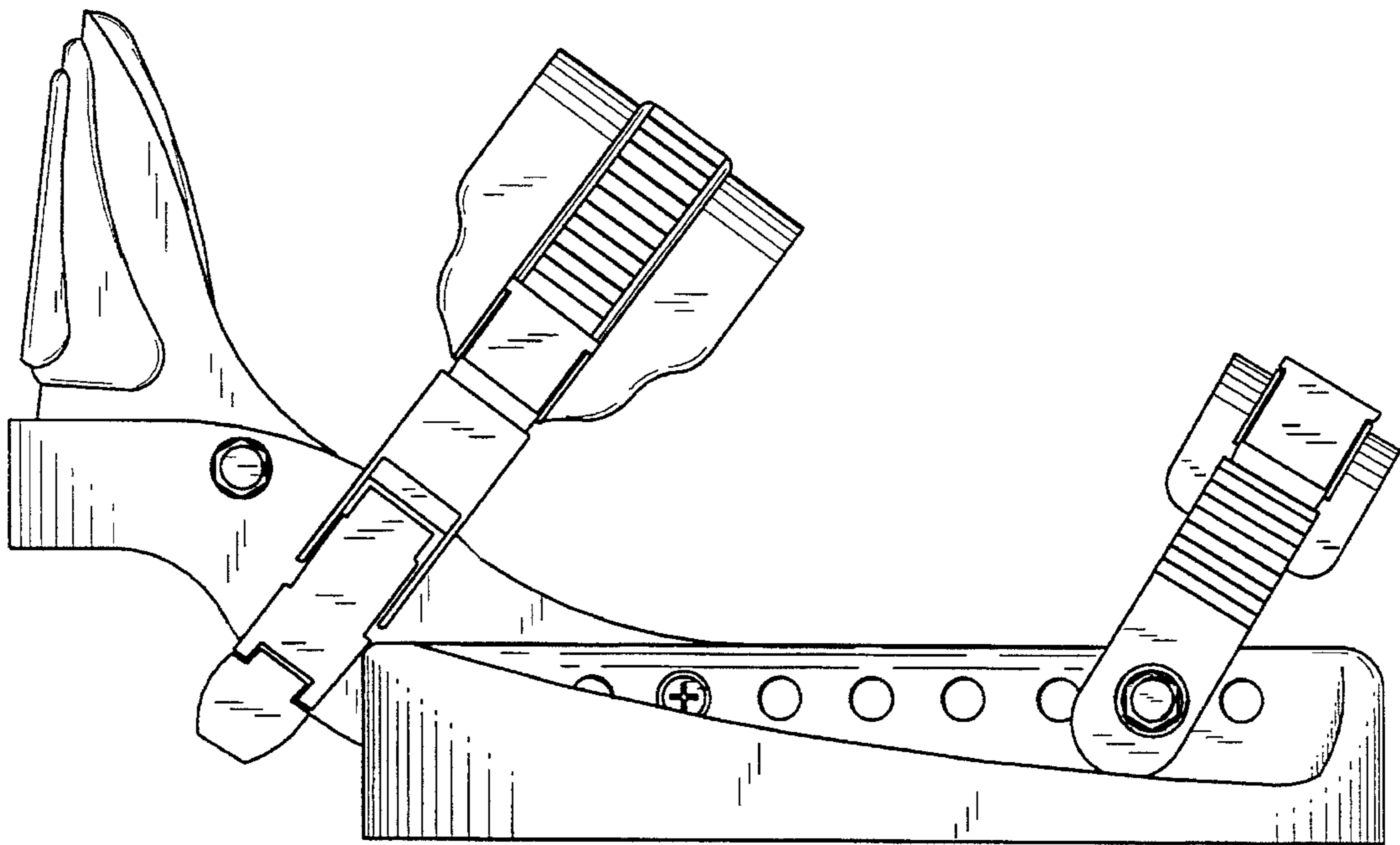


FIG. 7

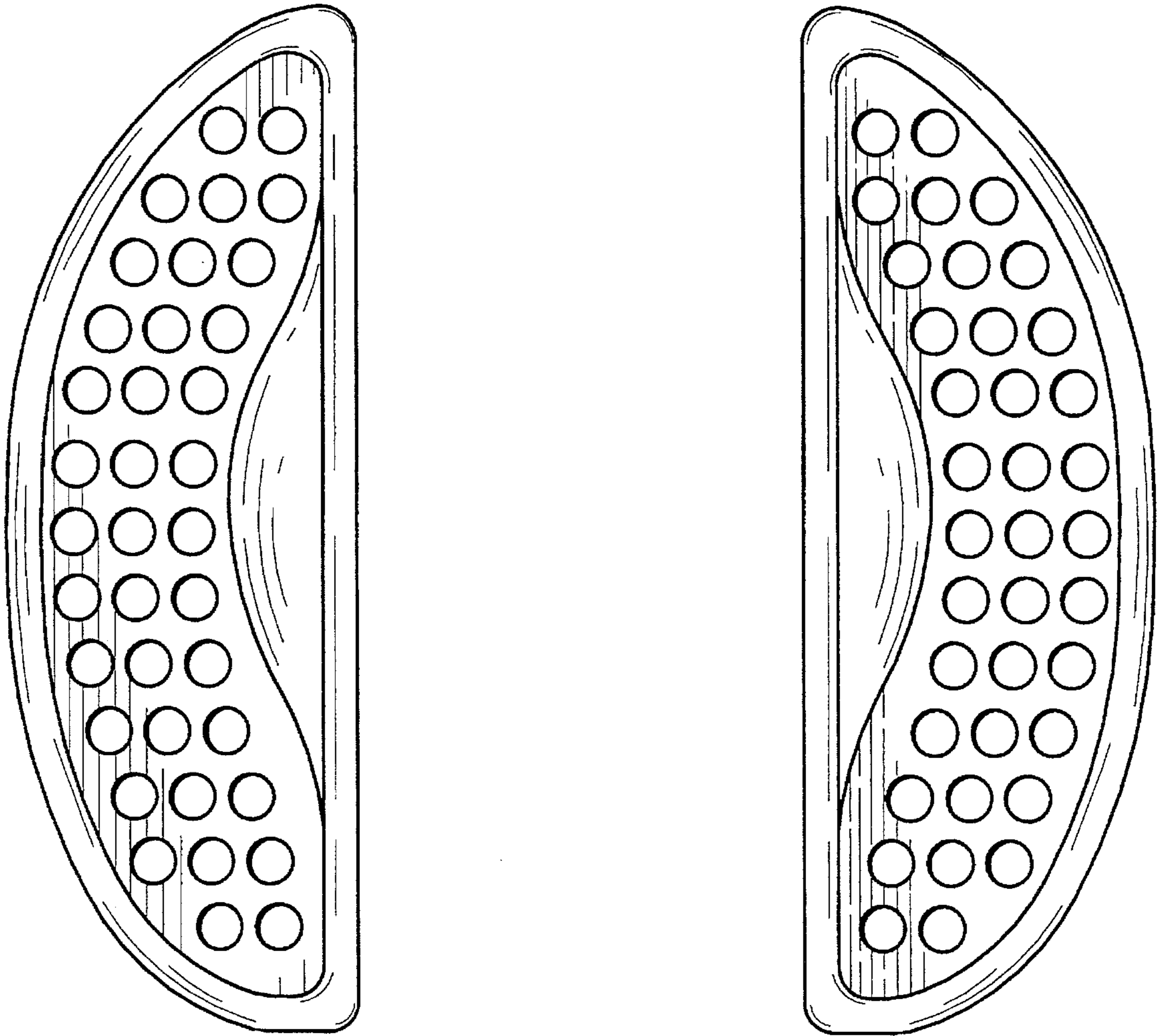


FIG. 8

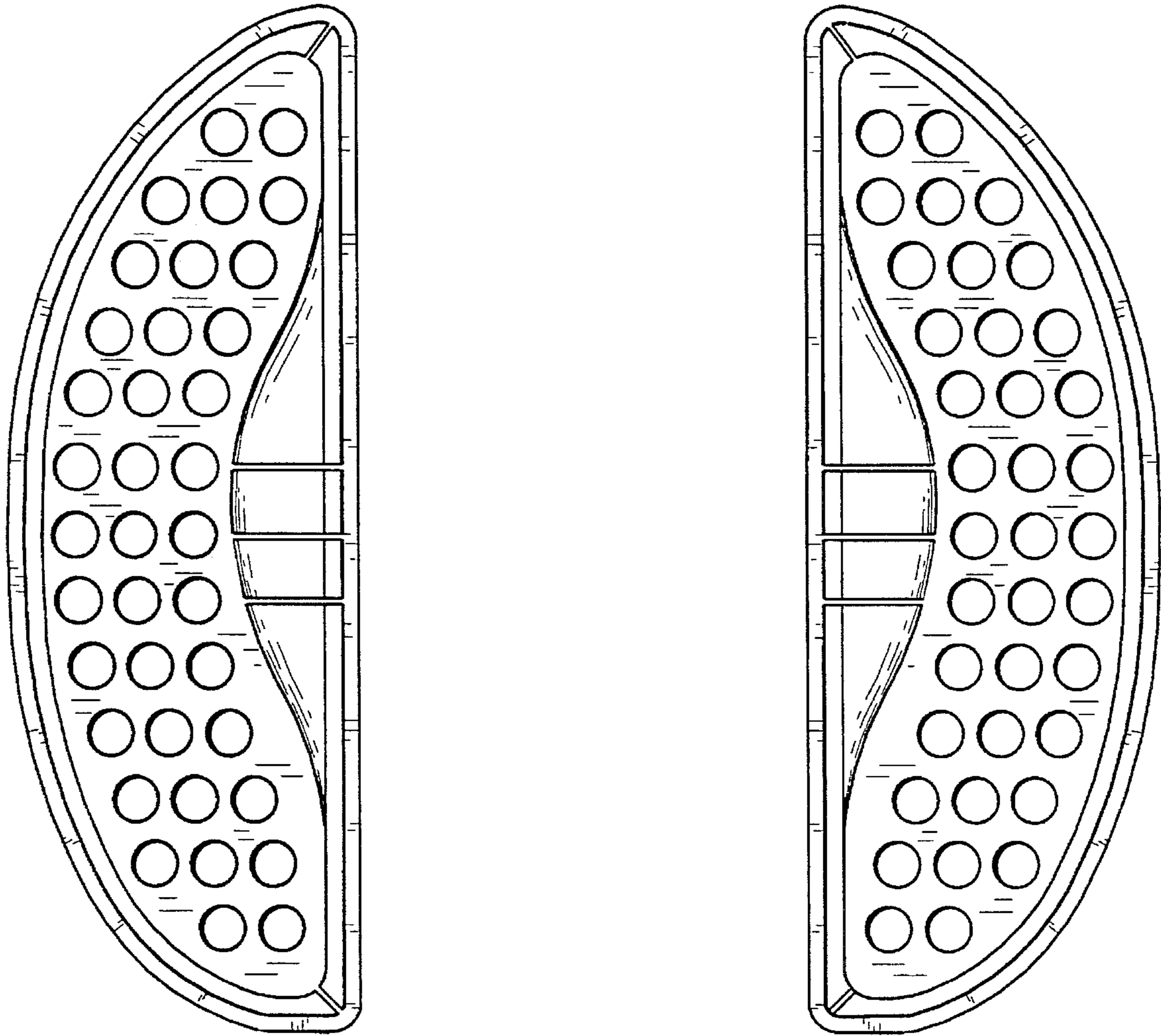


FIG. 9

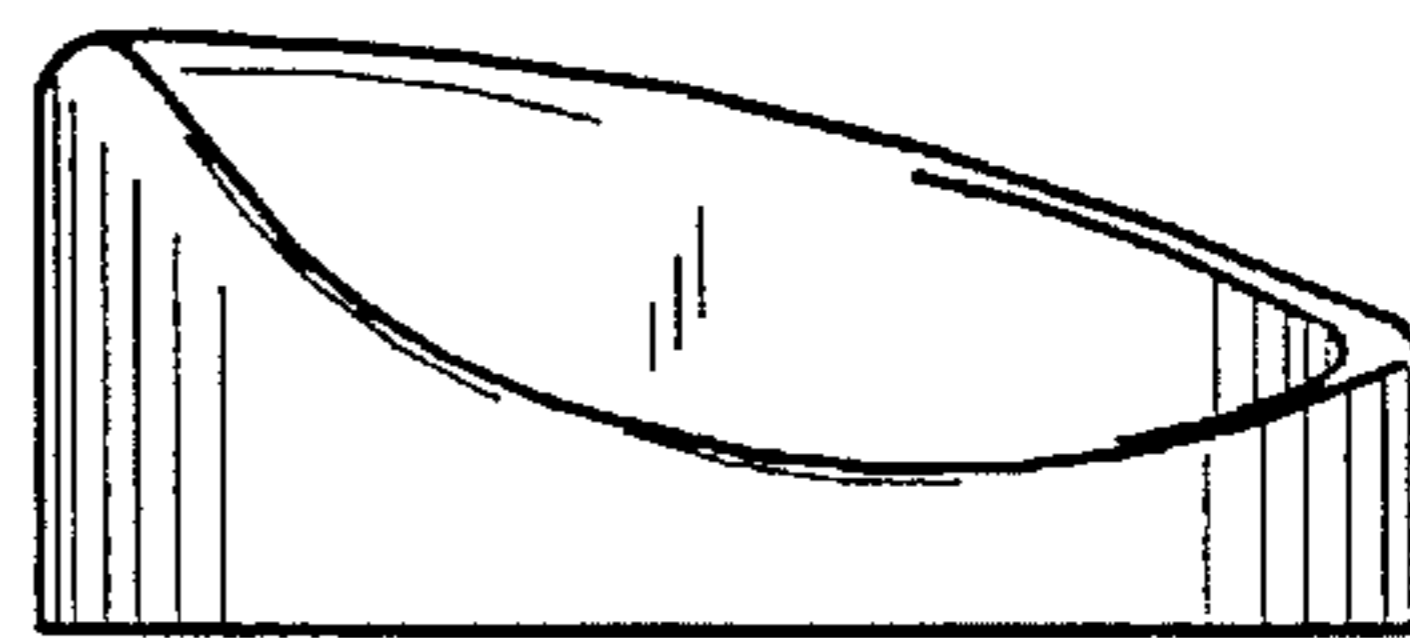
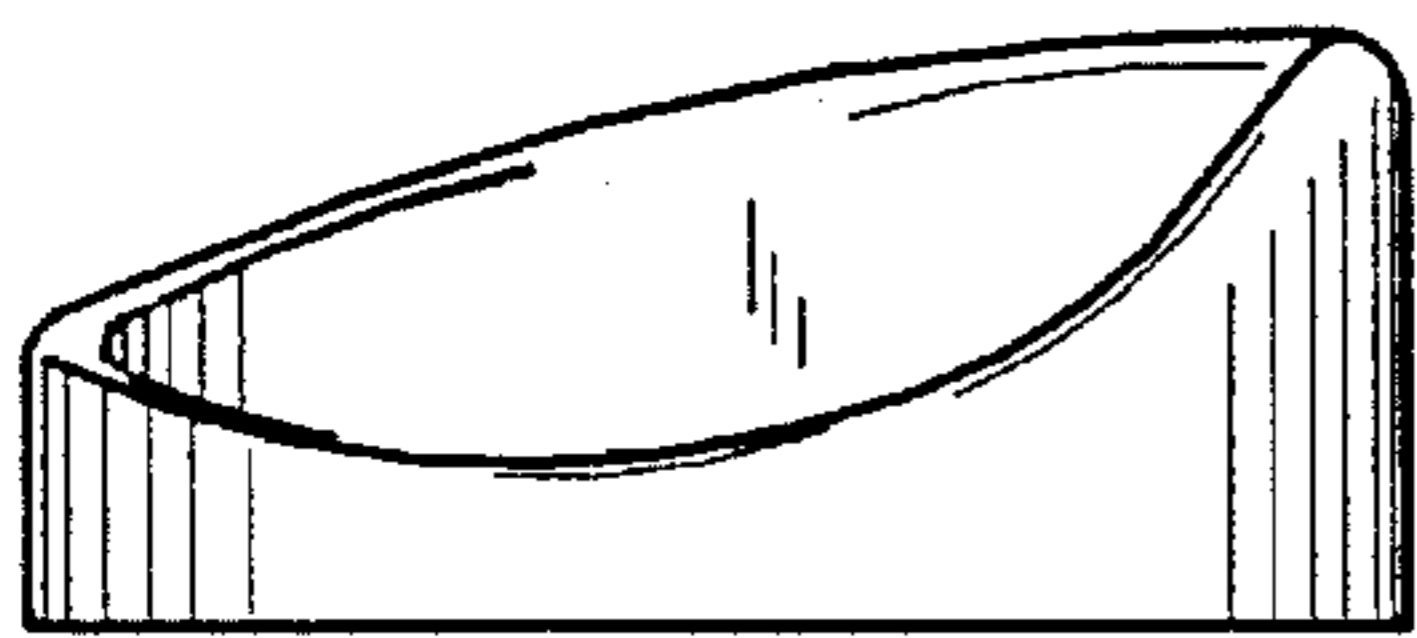


FIG. 10

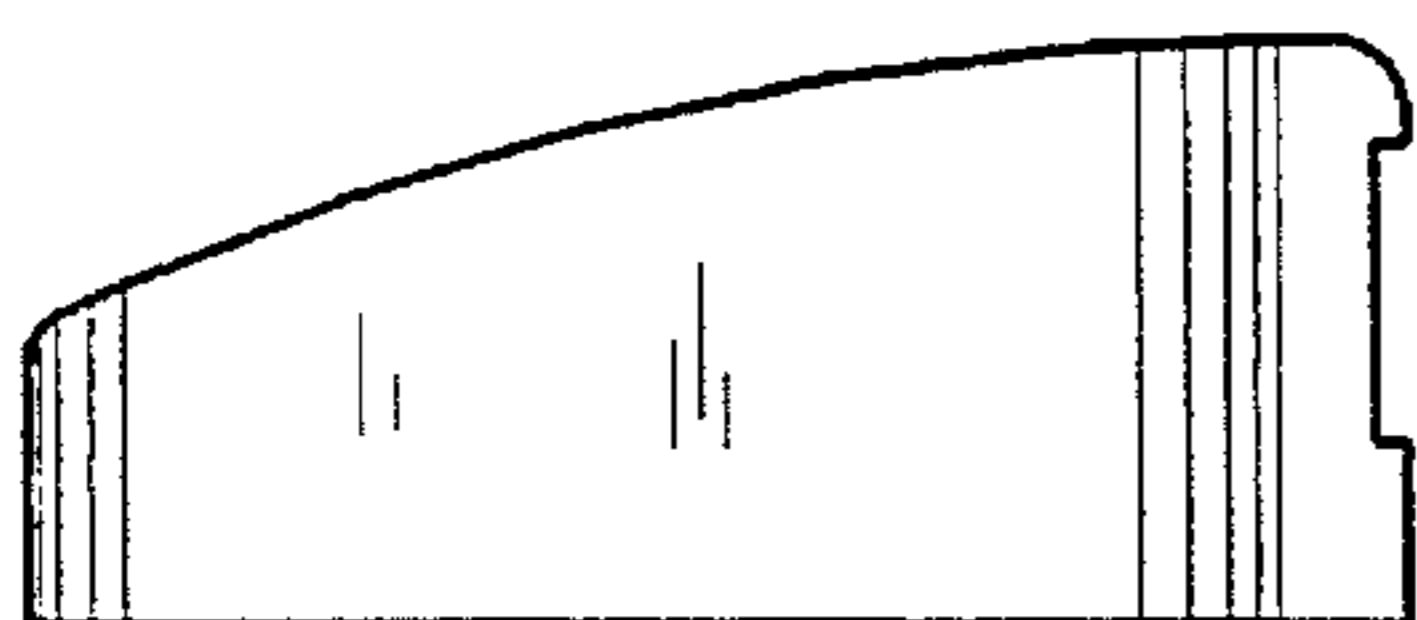


FIG. 11

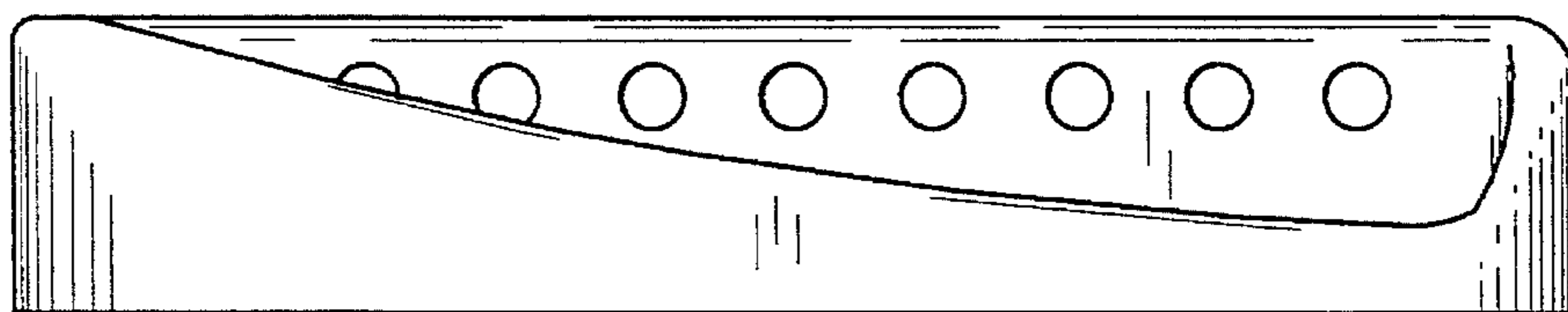


FIG. 12