



US00D365128S

United States Patent [19]

[11] Patent Number: **Des. 365,128**

Testasecca et al.

[45] Date of Patent: ****Dec. 12, 1995**

[54] TABLE TETHER BALL

[76] Inventors: **Raymond L. Testasecca; Lucille A. Durante**, both of 139 S. Bainford Ave., La Puente, Calif. 91744

[**] Term: **14 Years**

[21] Appl. No.: **26,585**

[22] Filed: **Aug. 1, 1994**

[52] U.S. Cl. **D21/62; D21/199**

[58] Field of Search **D21/62, 199, 208; 273/414**

3,809,406	5/1974	Lohr et al. .	
3,829,093	8/1974	Abrams	273/414 X
3,879,038	4/1975	Tremblay	273/414
4,158,458	6/1979	Gomez .	
5,125,670	6/1992	Hamlett, II et al. .	

Primary Examiner—Dominic Simone

[57] CLAIM

The ornamental design for the table tether ball, as shown and described.

DESCRIPTION

FIG. 1 is a front elevational view of the table tether ball showing our new design;
 FIG. 2 is a rear elevational view thereof;
 FIG. 3 is a left side elevational view thereof;
 FIG. 4 is a right side elevational view thereof;
 FIG. 5 is a top plan view thereof; and,
 FIG. 6 is a bottom plan view thereof.

1 Claim, 3 Drawing Sheets

[56] References Cited

U.S. PATENT DOCUMENTS

D. 175,205	7/1955	Wilson	D21/62
D. 246,130	10/1977	Koblick .	
D. 312,857	12/1990	Montelngo	D21/62 X
645,877	3/1900	Taylor	273/414
3,709,491	1/1973	Minchin .	

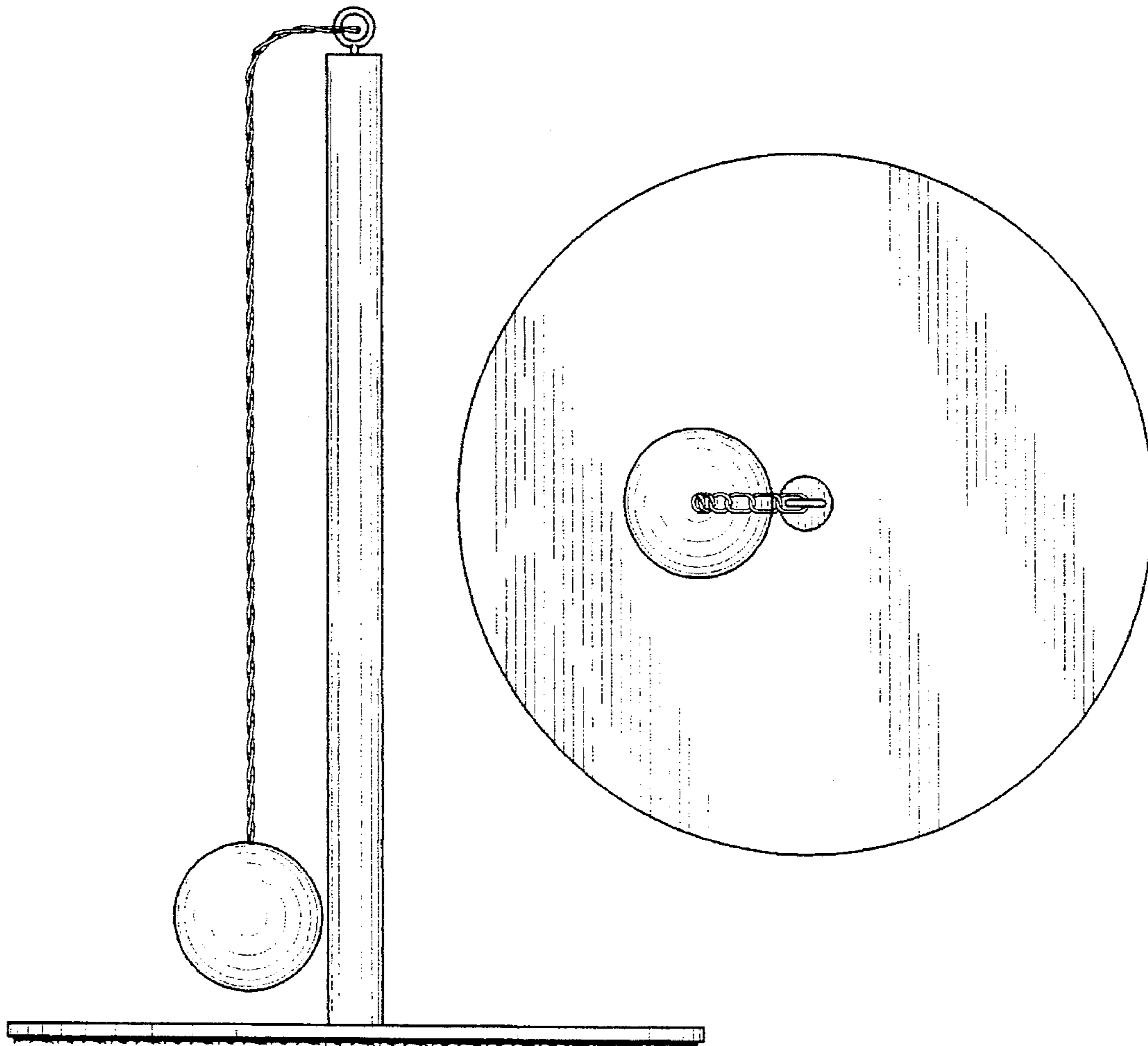


FIG. 1

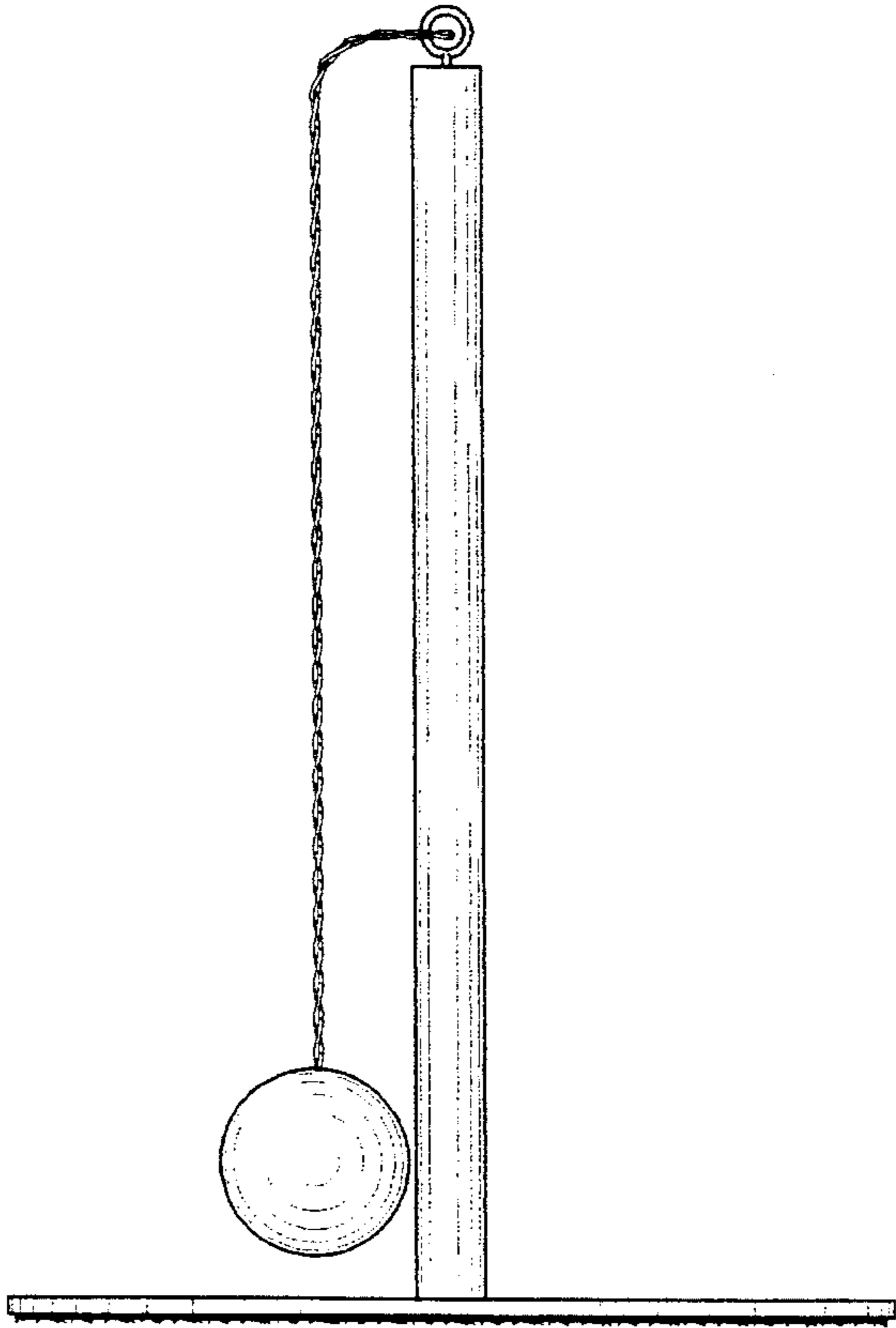


FIG. 2

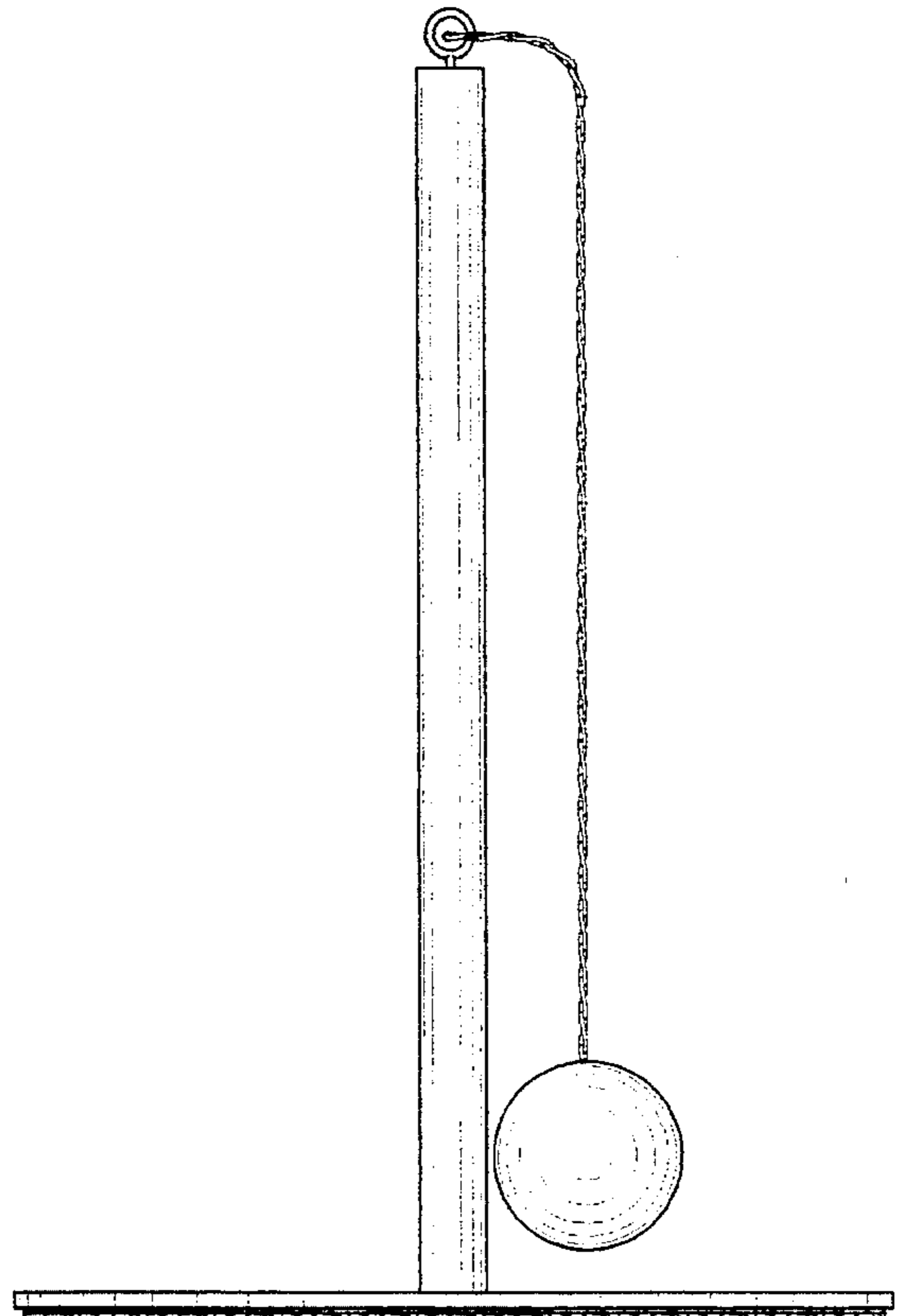


FIG. 3

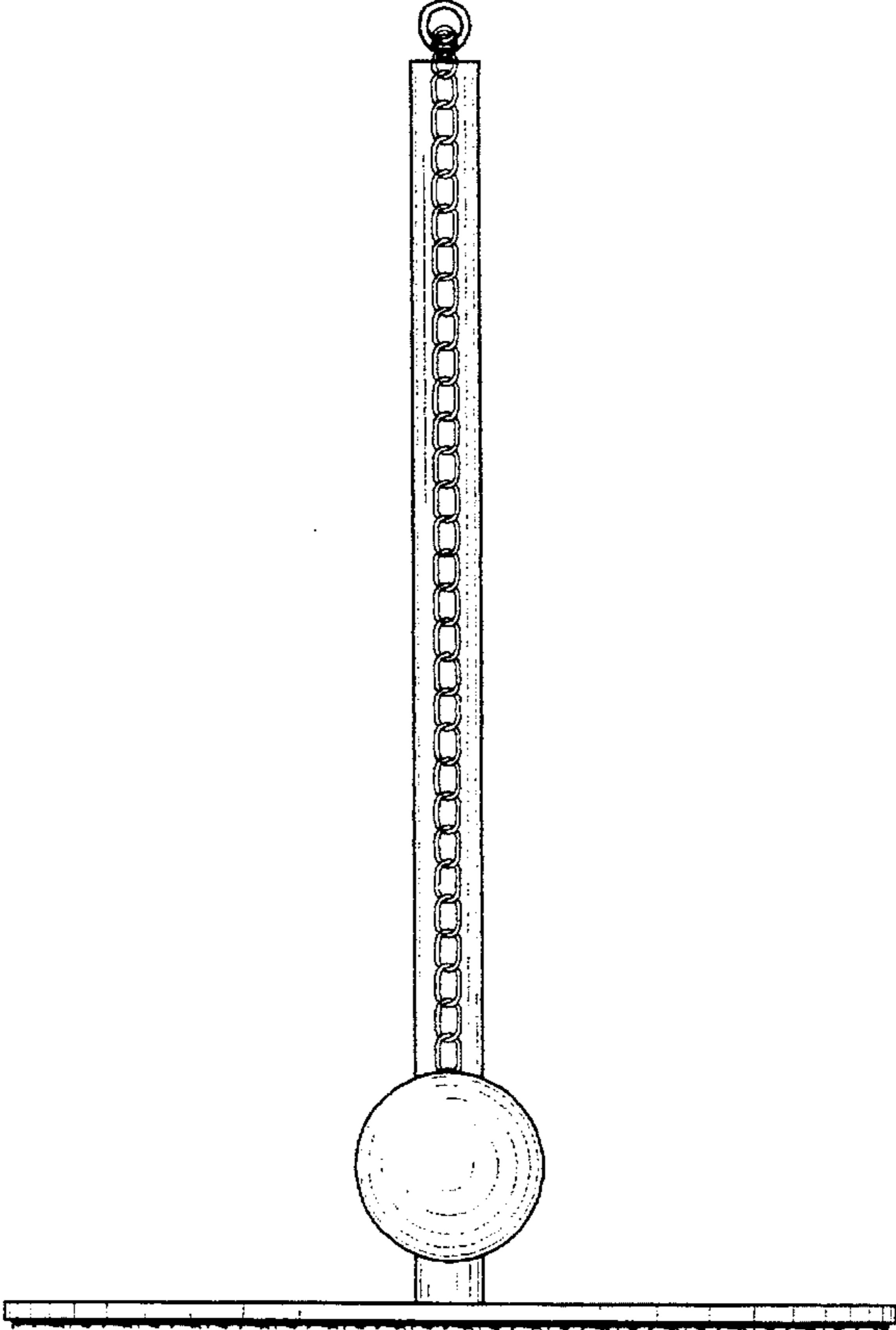


FIG. 4

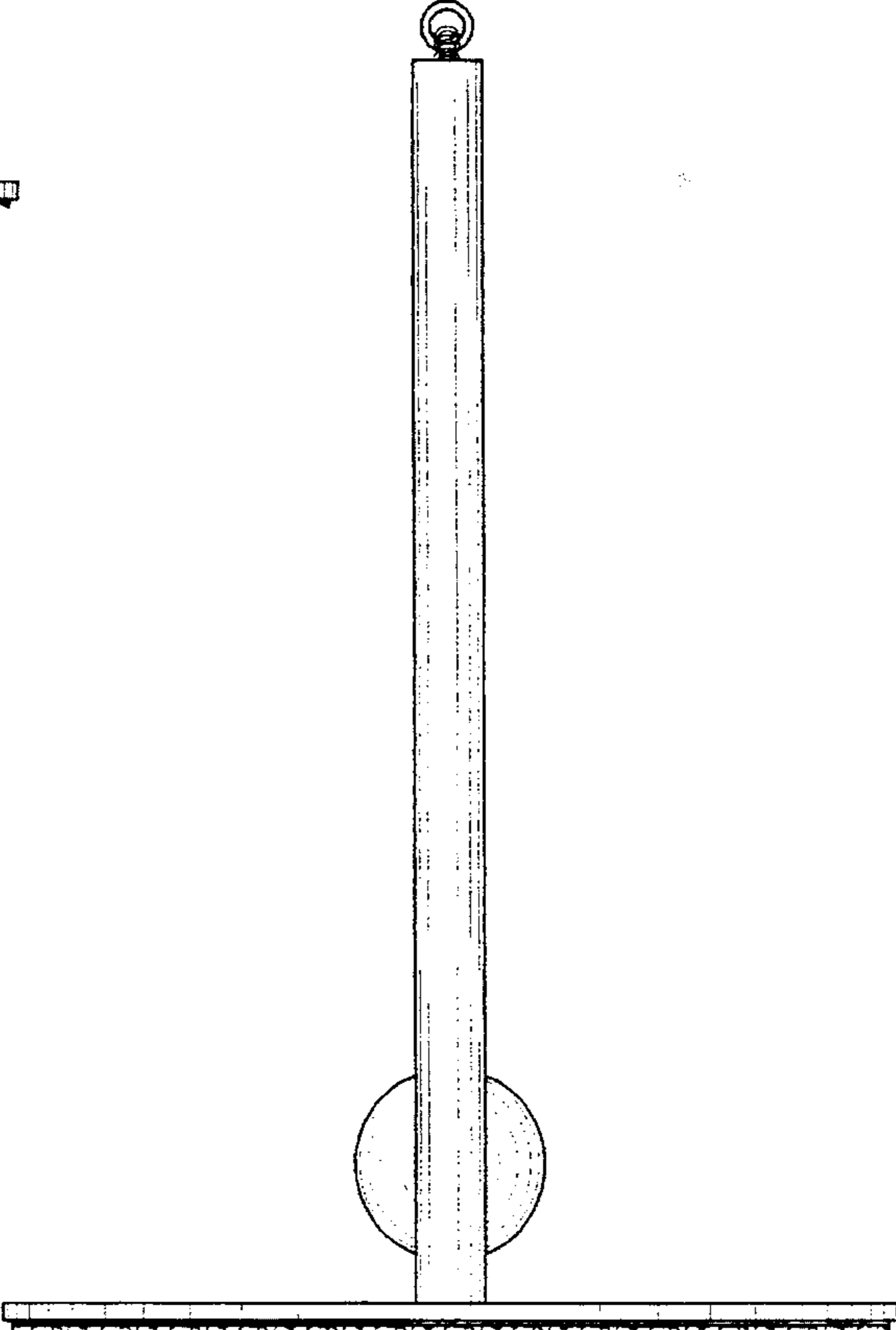


FIG. 5

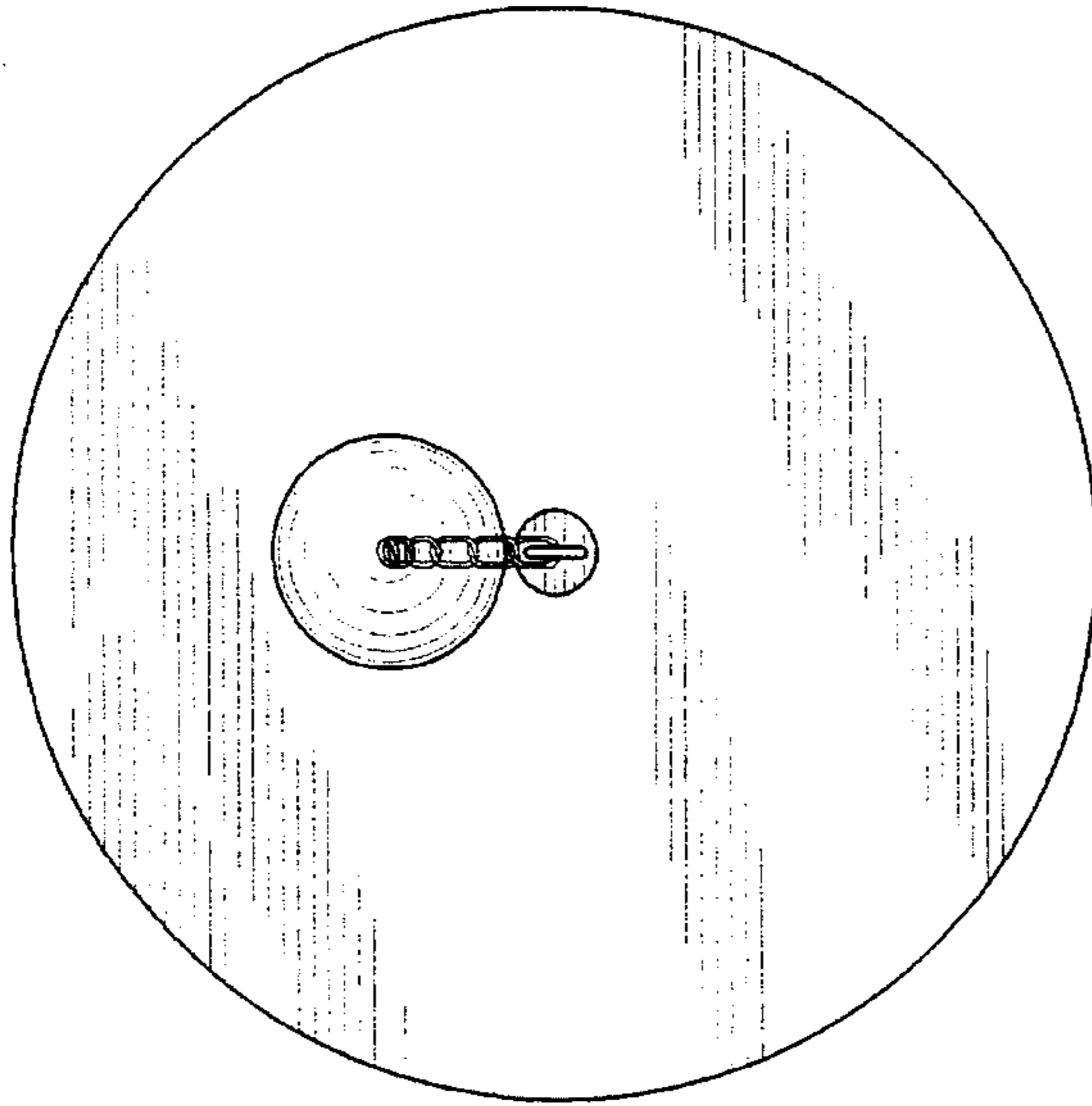


FIG. 6

