



US00D365127S

# United States Patent [19]

[11] Patent Number: **Des. 365,127**

Westersund

[45] Date of Patent: **\*\*Dec. 12, 1995**

## [54] FOLDING BOX DIORAMIC TOY

[76] Inventor: **Curtis D. Westersund**, #255, 801  
Gatson, Calgary, Alberta, Canada, T2P  
3U8

[\*\*] Term: **14 Years**

[21] Appl. No.: **25,821**

[22] Filed: **Jul. 7, 1994**

[52] U.S. Cl. .... **D21/59; D9/432; D9/433**

[58] Field of Search ..... **D21/59, 60; D9/432,  
D9/433; 446/487, 488, 491**

### [56] **References Cited**

#### U.S. PATENT DOCUMENTS

D. 89,933	5/1933	Tourtois	.....	D9/432
D. 231,514	4/1974	Elford	.....	D9/433
D. 280,491	9/1985	Nielsen	.....	D9/432
D. 306,182	2/1990	Ukisu	.....	D21/59

*Primary Examiner*—Dominic Simone  
*Attorney, Agent, or Firm*—Skjerven, Morrill, MacPherson,  
Franklin, & Friel

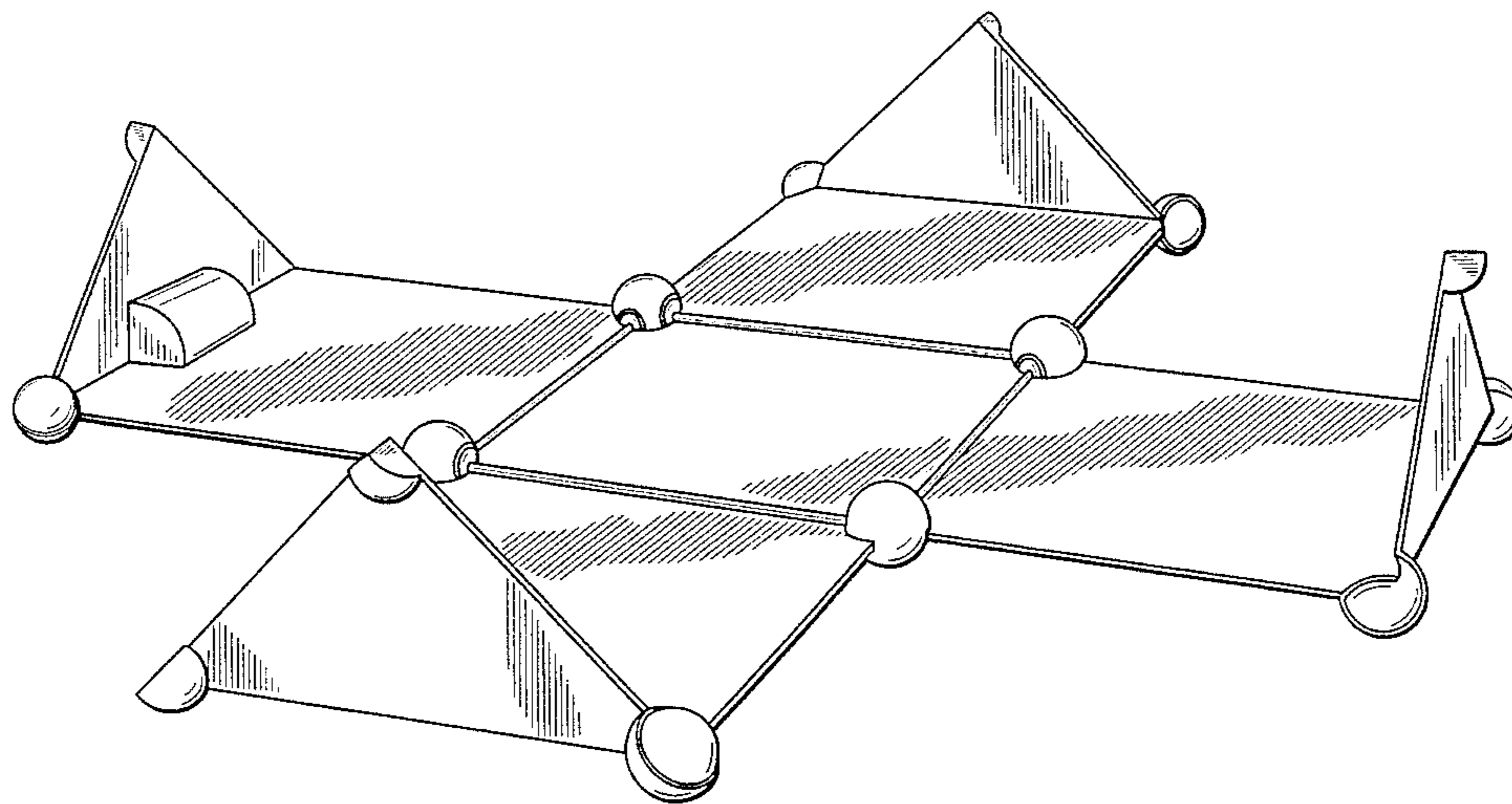
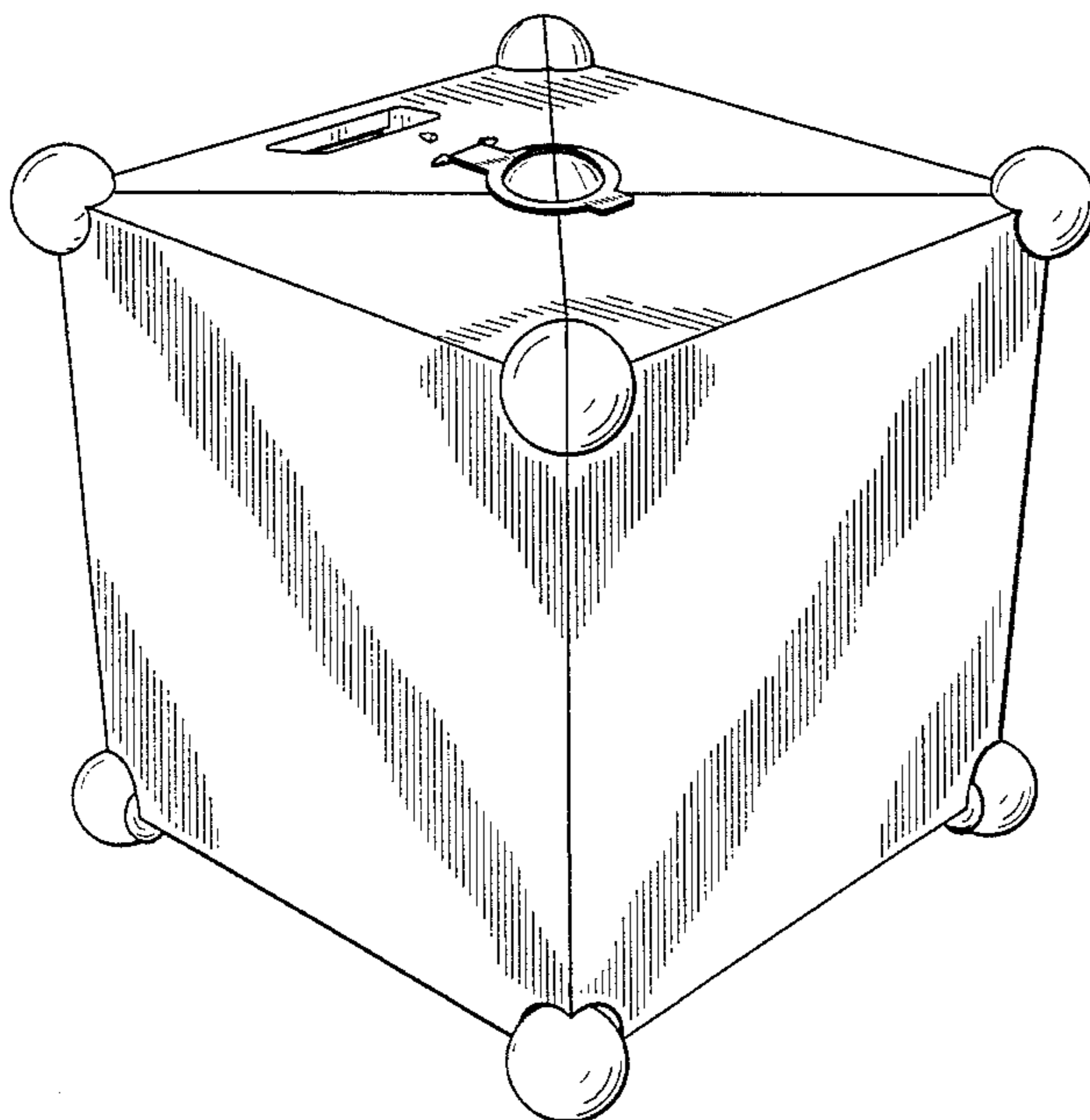
### [57] **CLAIM**

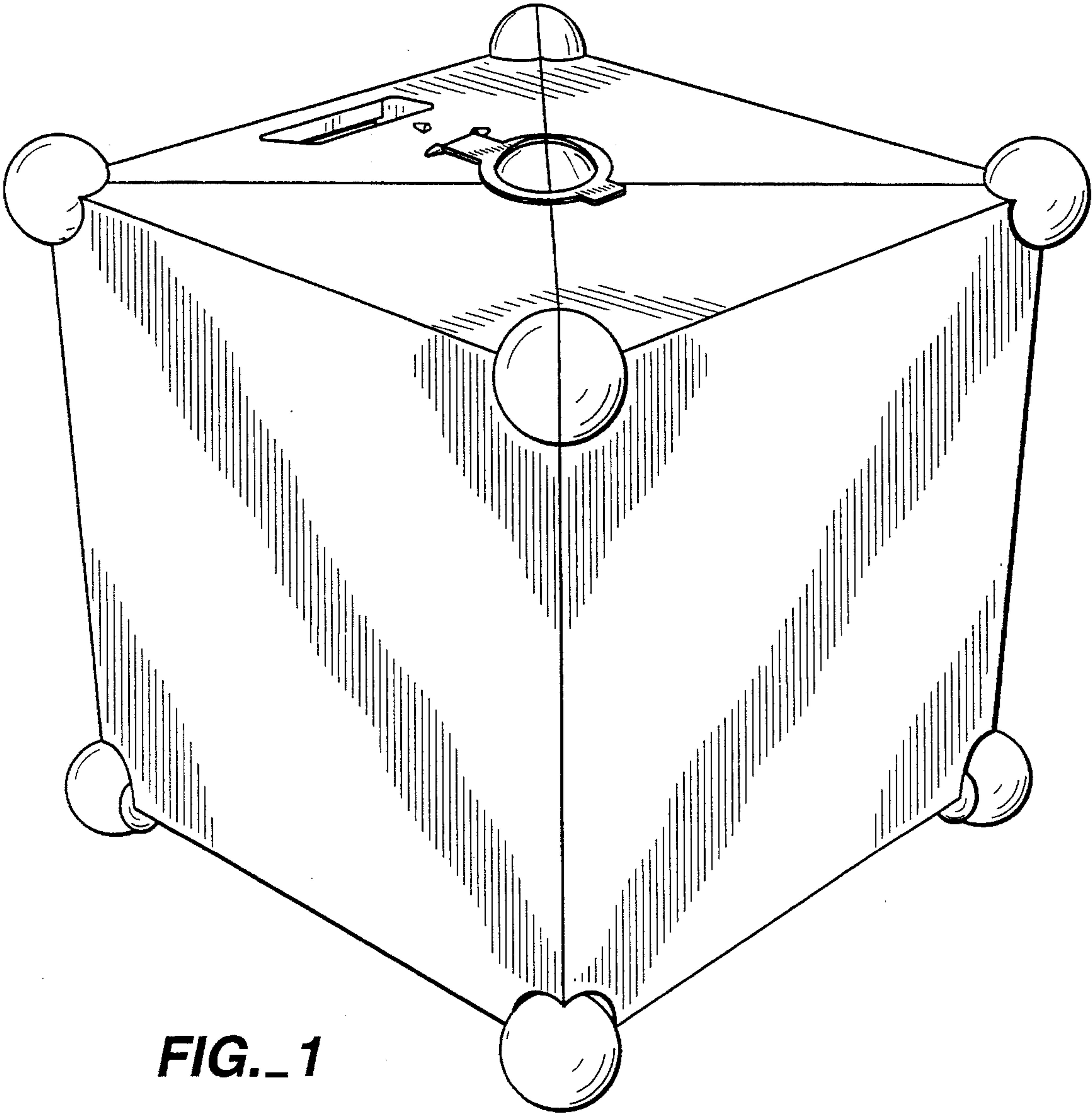
The ornamental design for a folding box dioramic toy, as shown and described.

### **DESCRIPTION**

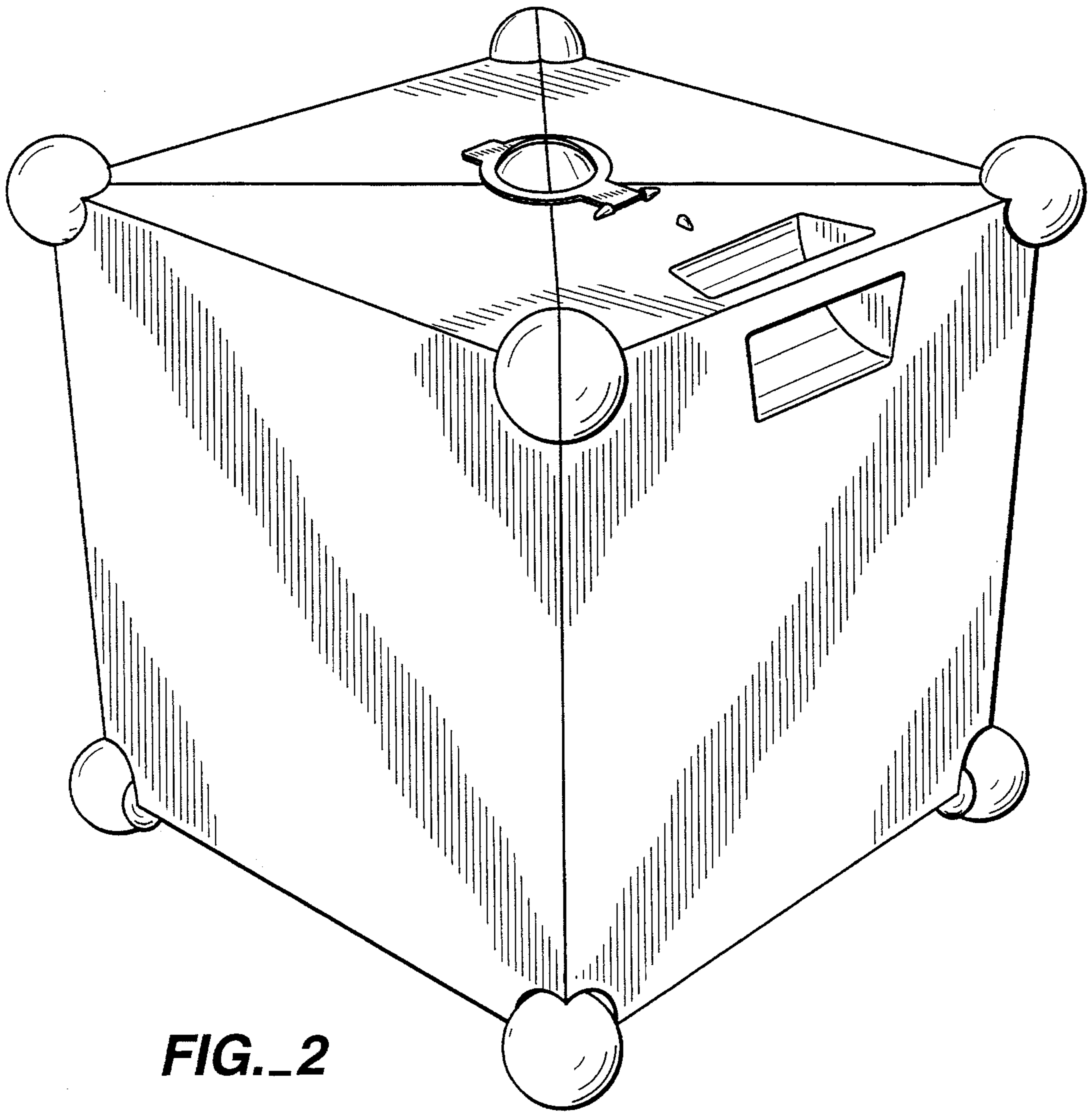
FIG. 1 is a front perspective view of a folding box dioramic toy showing my new design;  
FIG. 2 is a rear perspective view thereof;  
FIG. 3 is a right side elevational view thereof;  
FIG. 4 is a rear elevational view thereof;  
FIG. 5 is a left side elevational view thereof;  
FIG. 6 is a top plan view thereof;  
FIG. 7 is a bottom plan view thereof; and,  
FIG. 8 is a perspective view thereof, the box in an unfolded position.

**1 Claim, 8 Drawing Sheets**

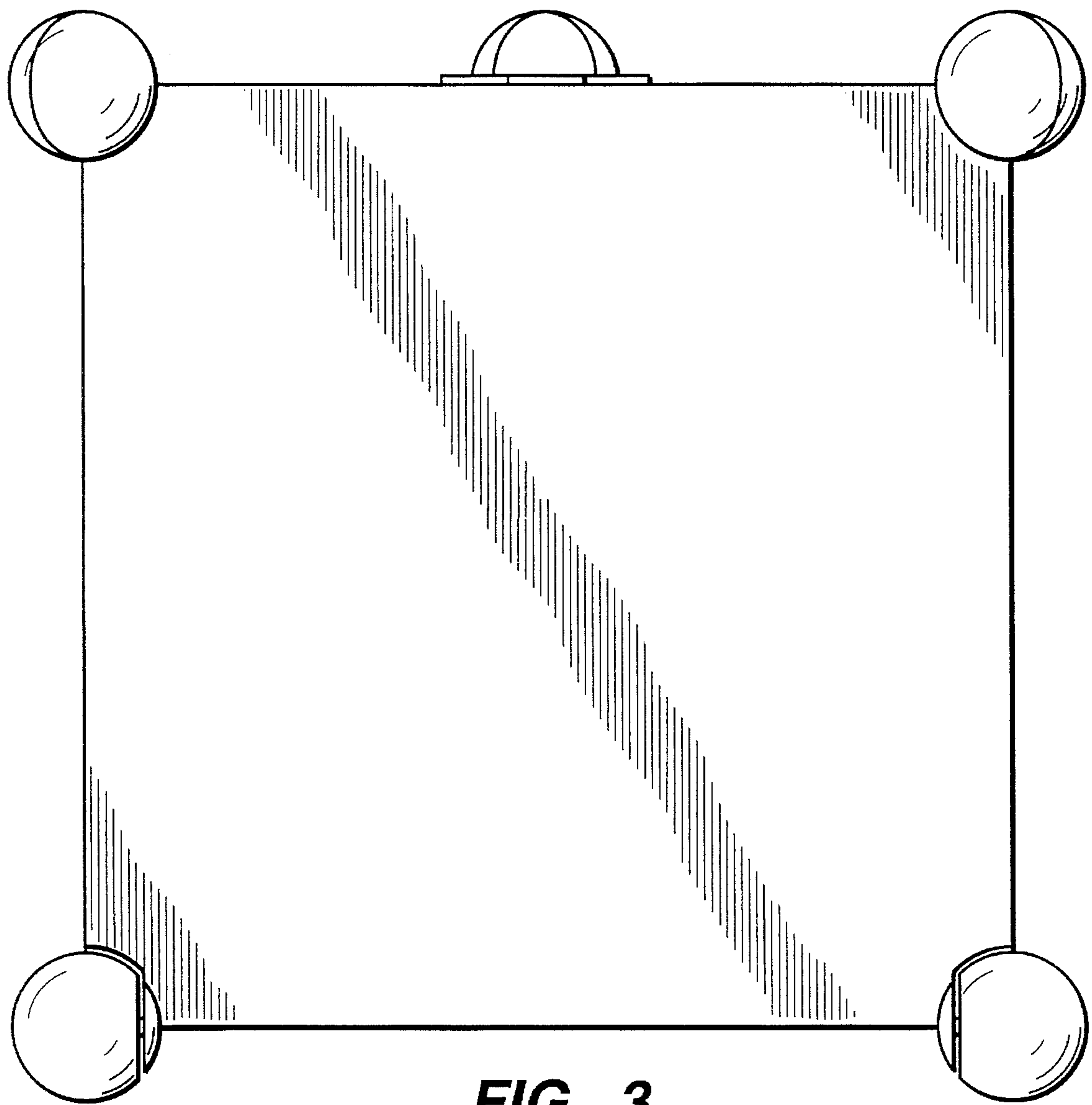




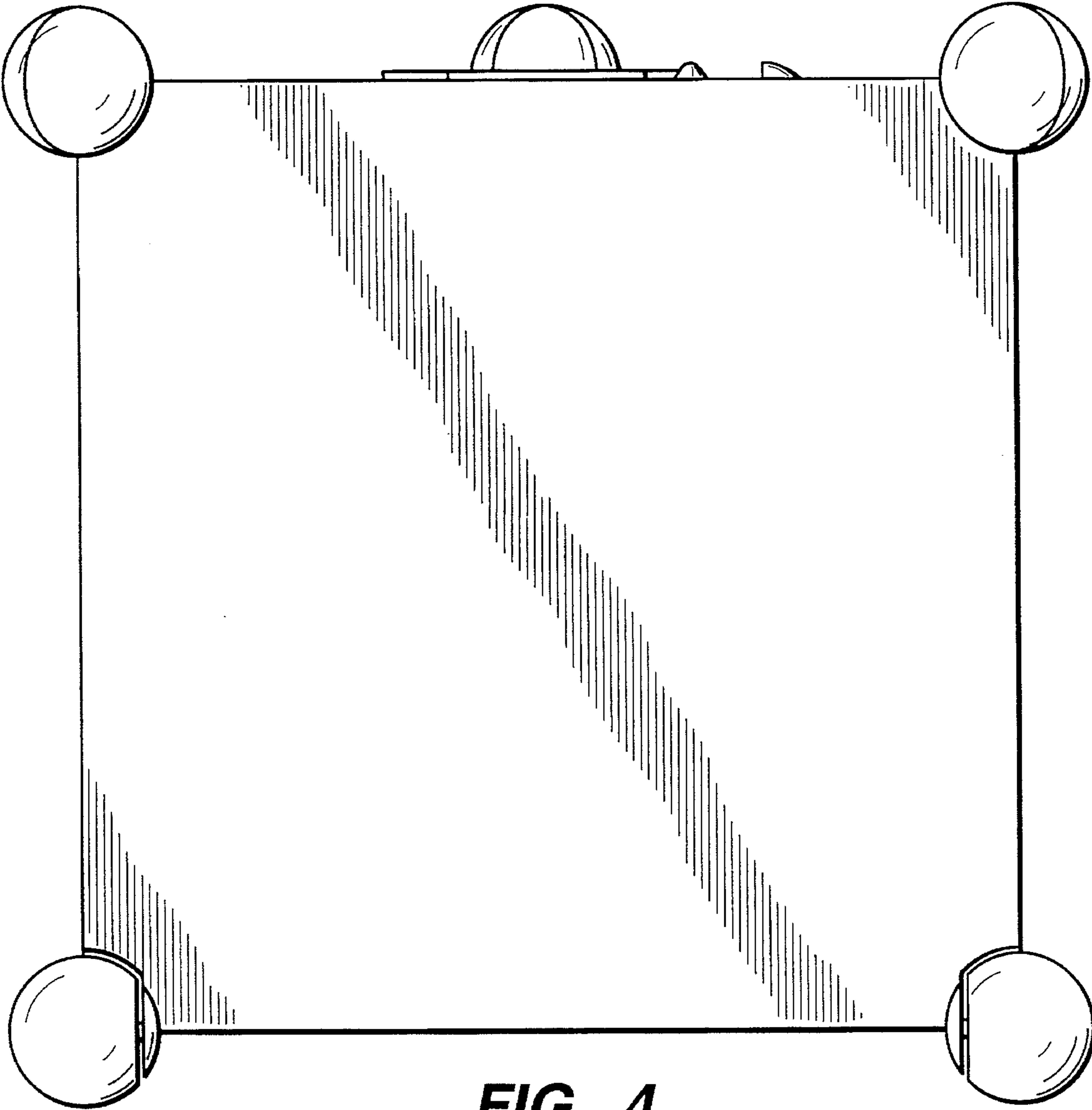
**FIG. 1**



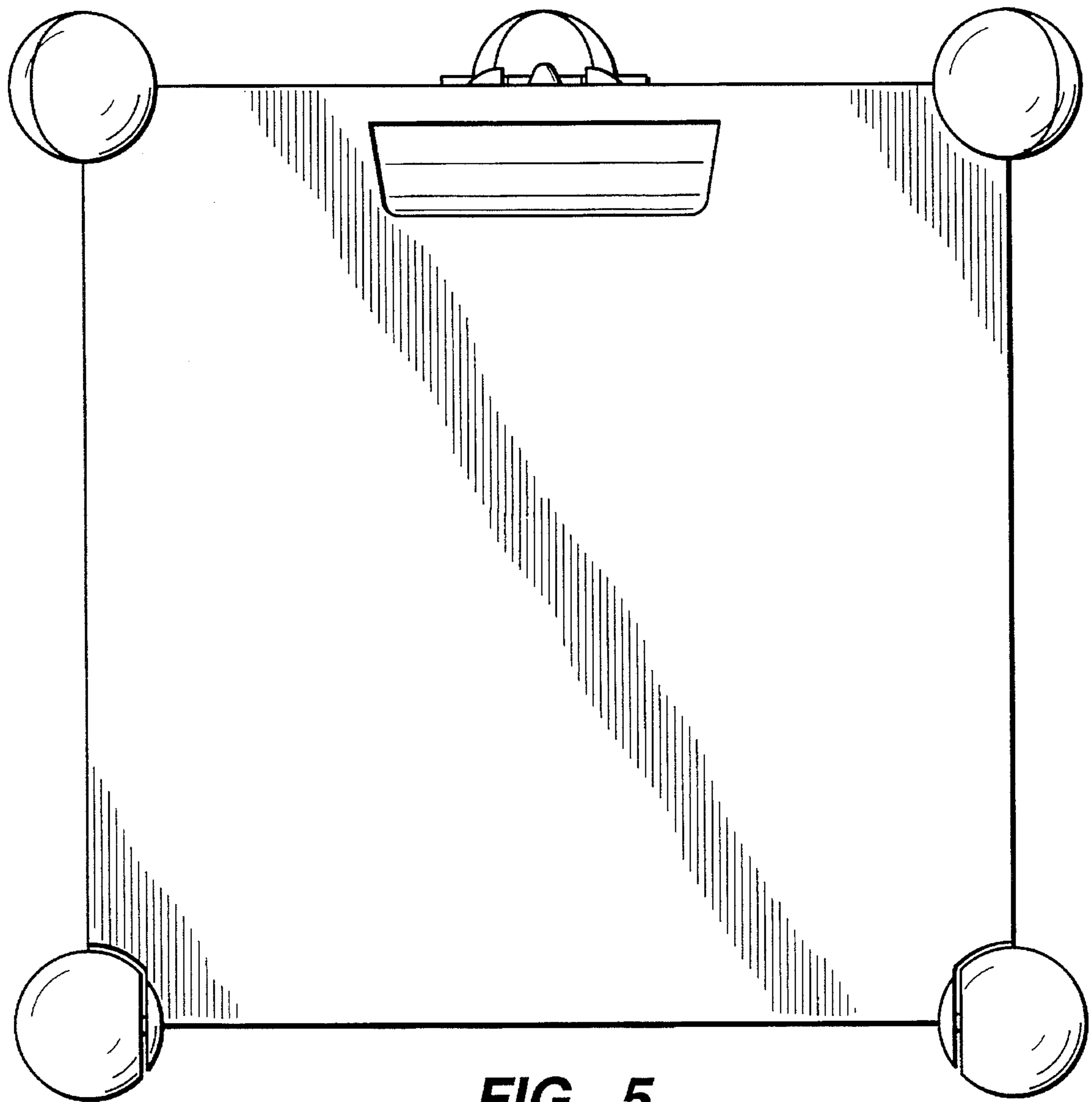
**FIG. 2**



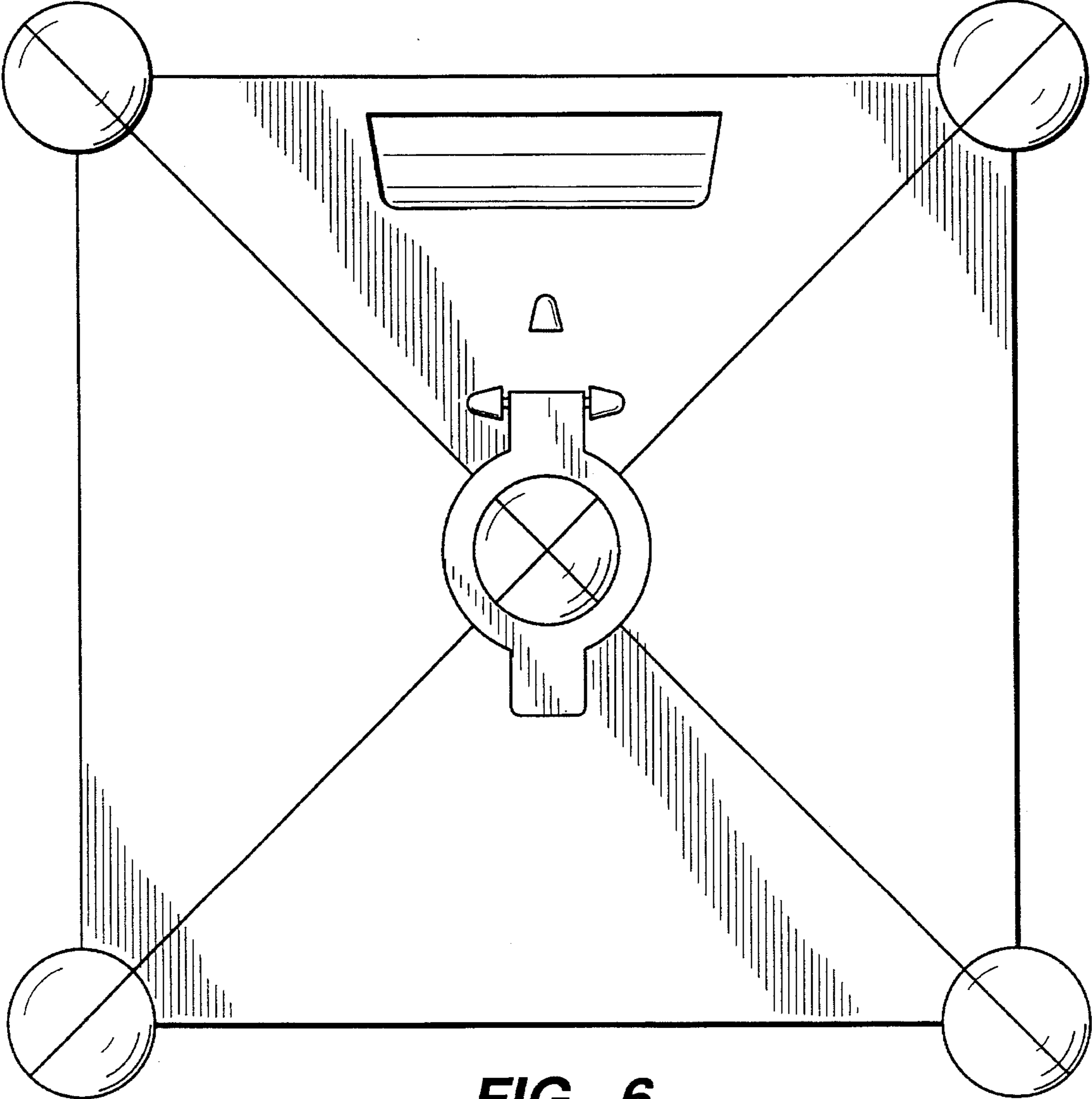
**FIG. 3**



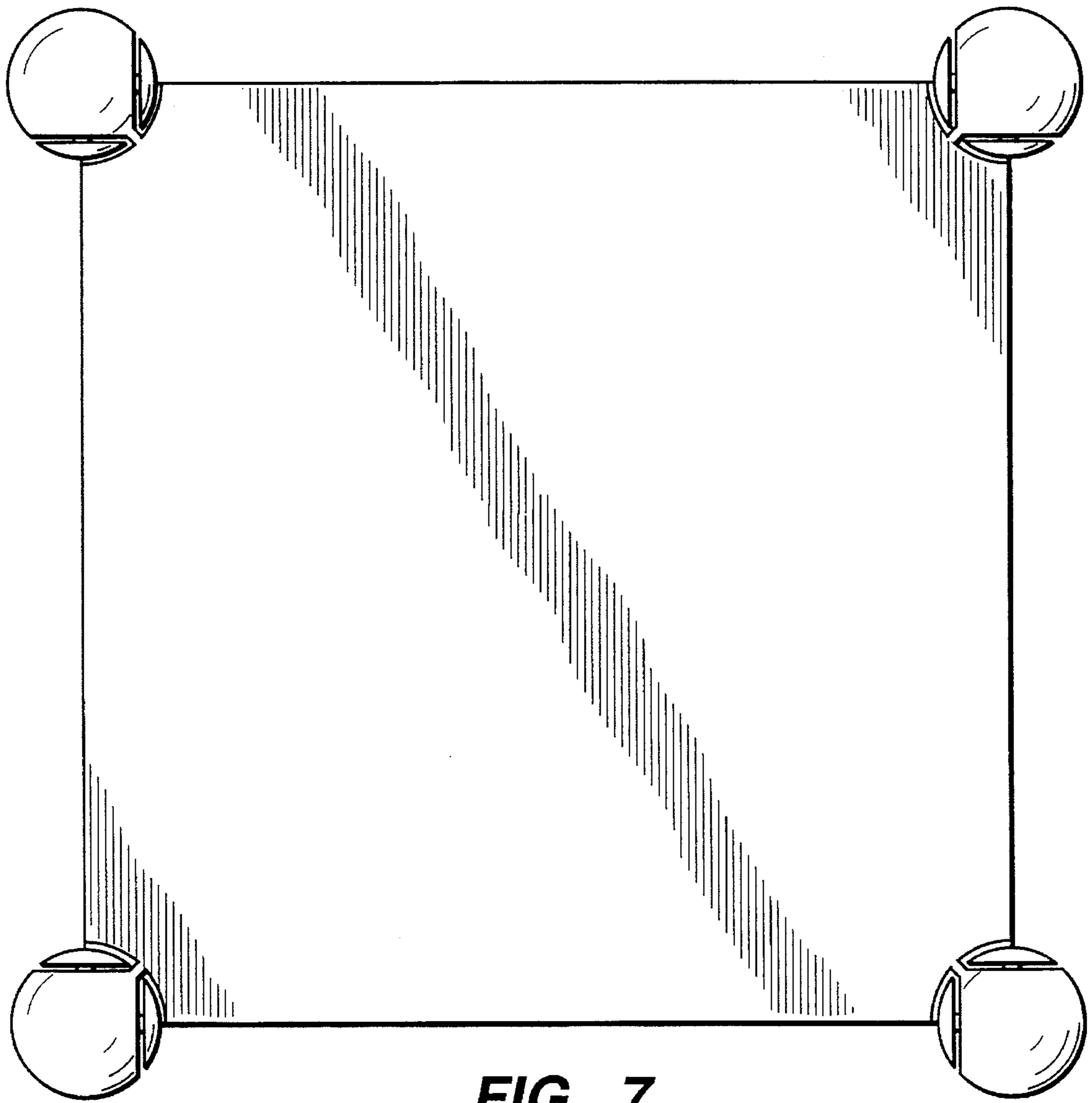
**FIG. 4**



**FIG. 5**



**FIG. 6**



**FIG. 7**



