



US00D365126S

**United States Patent** [19]

[11] **Patent Number: Des. 365,126**

**Kirk**

[45] **Date of Patent: \*\*Dec. 12, 1995**

[54] **DICE SCRAMBLER**

Voorhees & Sease; Mark D. Frederiksen

[76] Inventor: **Bruce E. Kirk**, 457 Lakehurst Dr.,  
Waterloo, Nebr. 68069

[57] **CLAIM**

The ornamental design for a dice scrambler, as shown and described.

[\*\*] Term: **14 Years**

**DESCRIPTION**

[21] Appl. No.: **20,550**

FIG. 1 is a perspective view of a dice scrambler showing my new design;

[22] Filed: **Mar. 29, 1994**

FIG. 2 is a top plan view thereof;

[52] U.S. Cl. .... **D21/41**

FIG. 3 is a front elevation view thereof;

[58] Field of Search ..... D21/39, 41; 273/145 A,  
273/145 B, 268, 146

FIG. 4 is a right side elevational view thereof, the opposite side being a mirror image;

[56] **References Cited**

**U.S. PATENT DOCUMENTS**

- D. 269,287 6/1983 Gray ..... D21/41
- D. 341,385 11/1993 Fitch ..... D21/41
- 2,241,567 5/1941 Wobensmith ..... 273/145 B

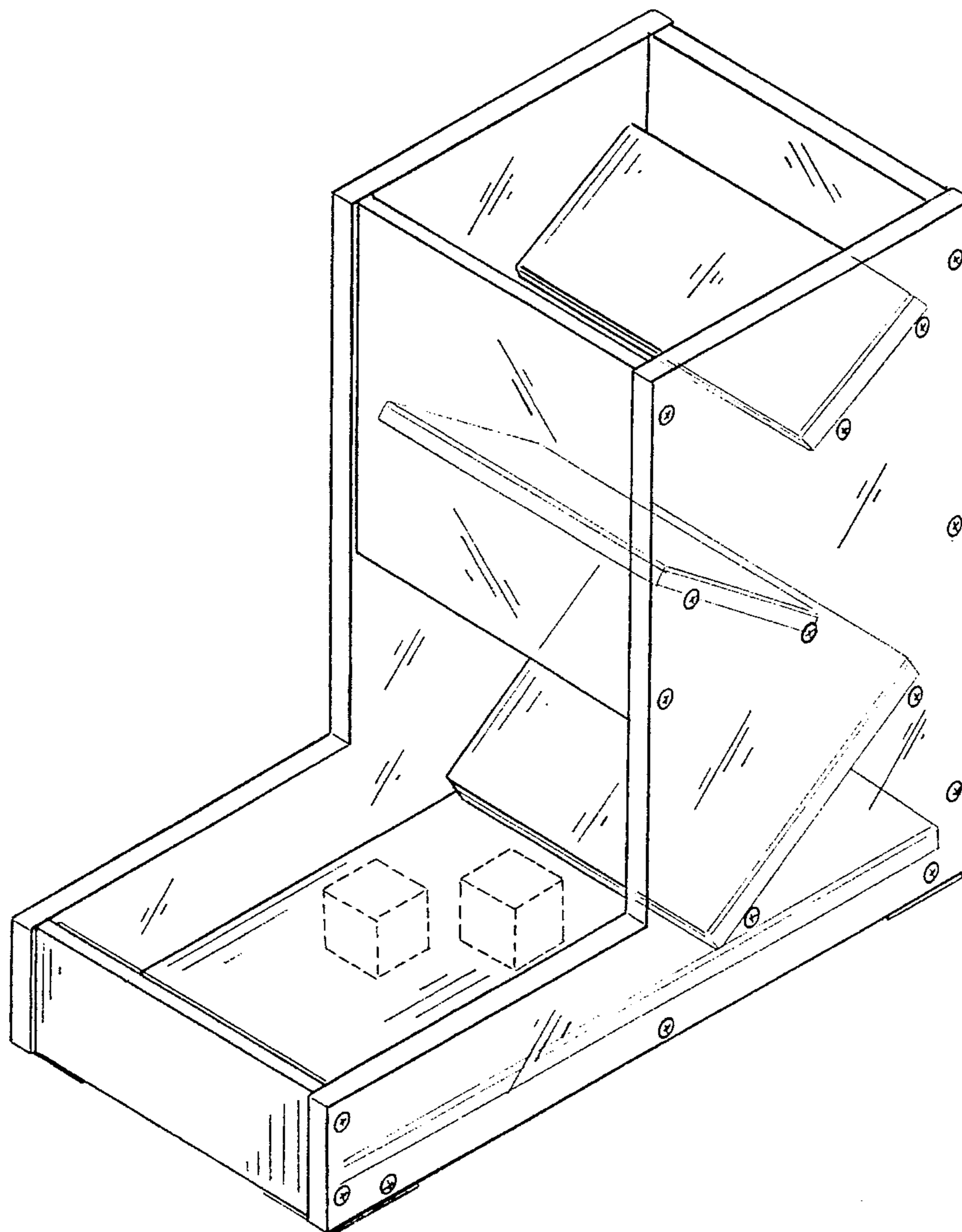
FIG. 5 is a rear elevational view thereof; and,

FIG. 6 is a bottom plan view thereof.

The broken line showing of the dice in FIG. 1 are for illustrated purposes only and forms no part of the claimed design.

*Primary Examiner*—Terry A. Wallace  
*Attorney, Agent, or Firm*—Zarley, McKee, Thomte,

**1 Claim, 2 Drawing Sheets**



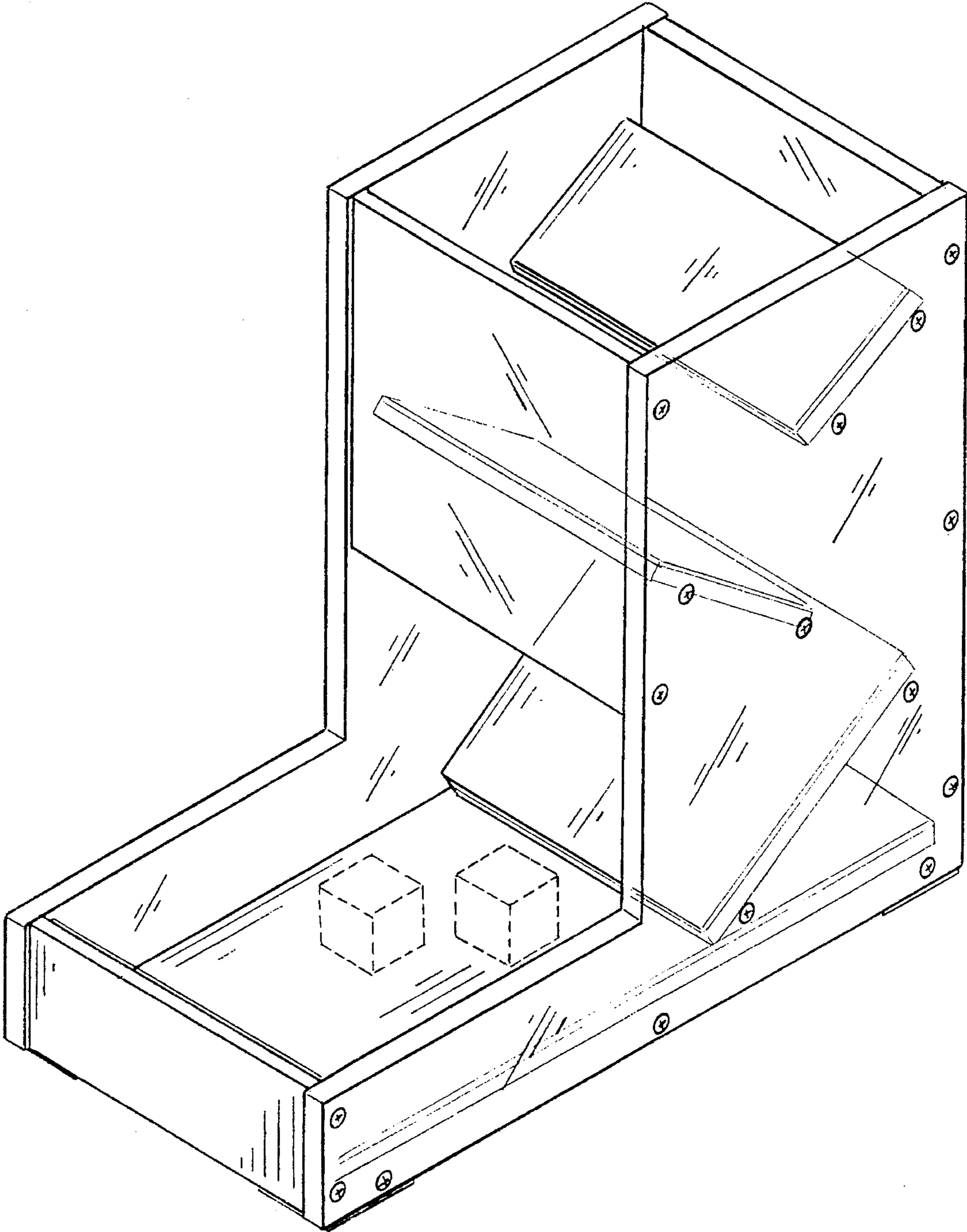


FIG. 1

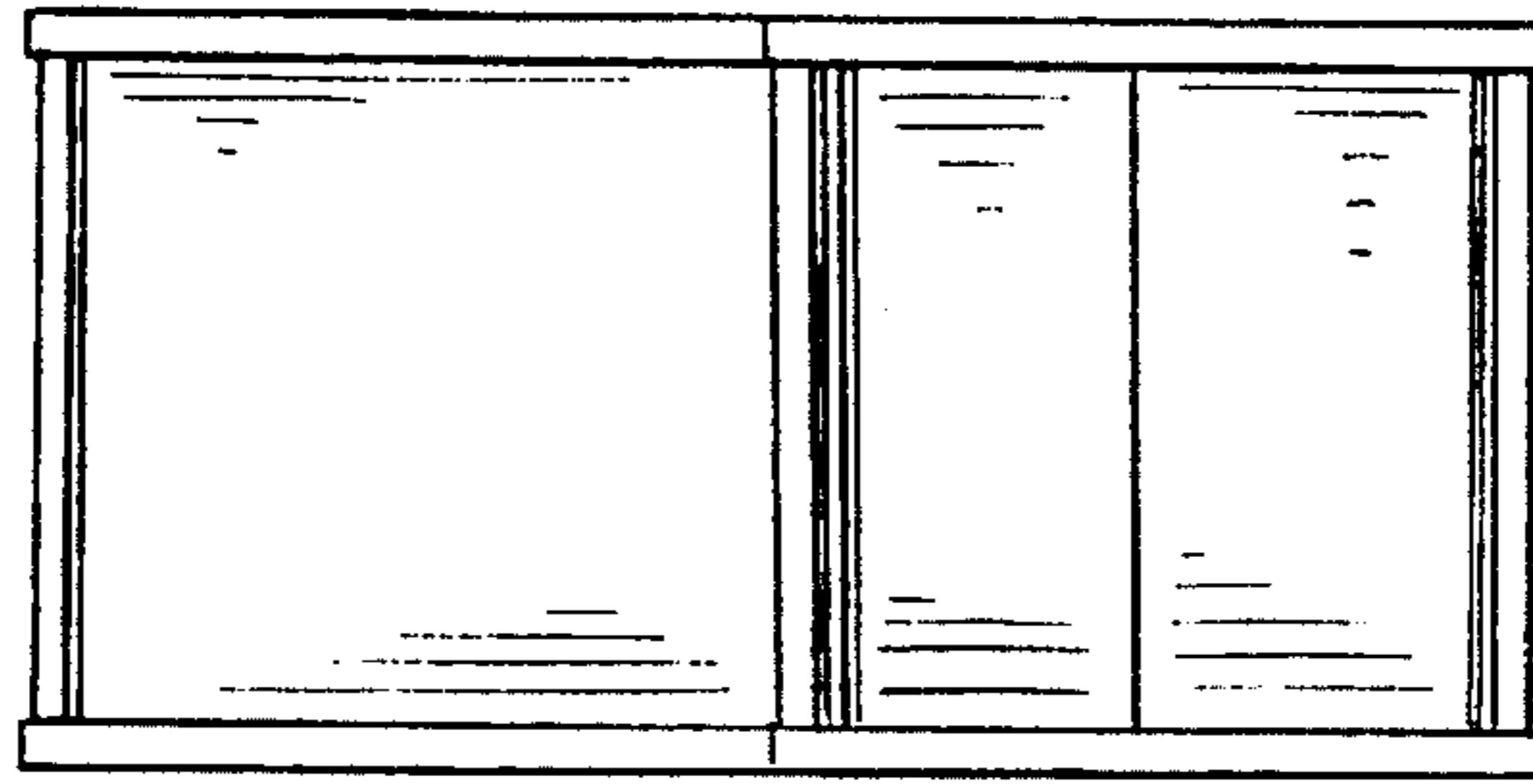


FIG. 2

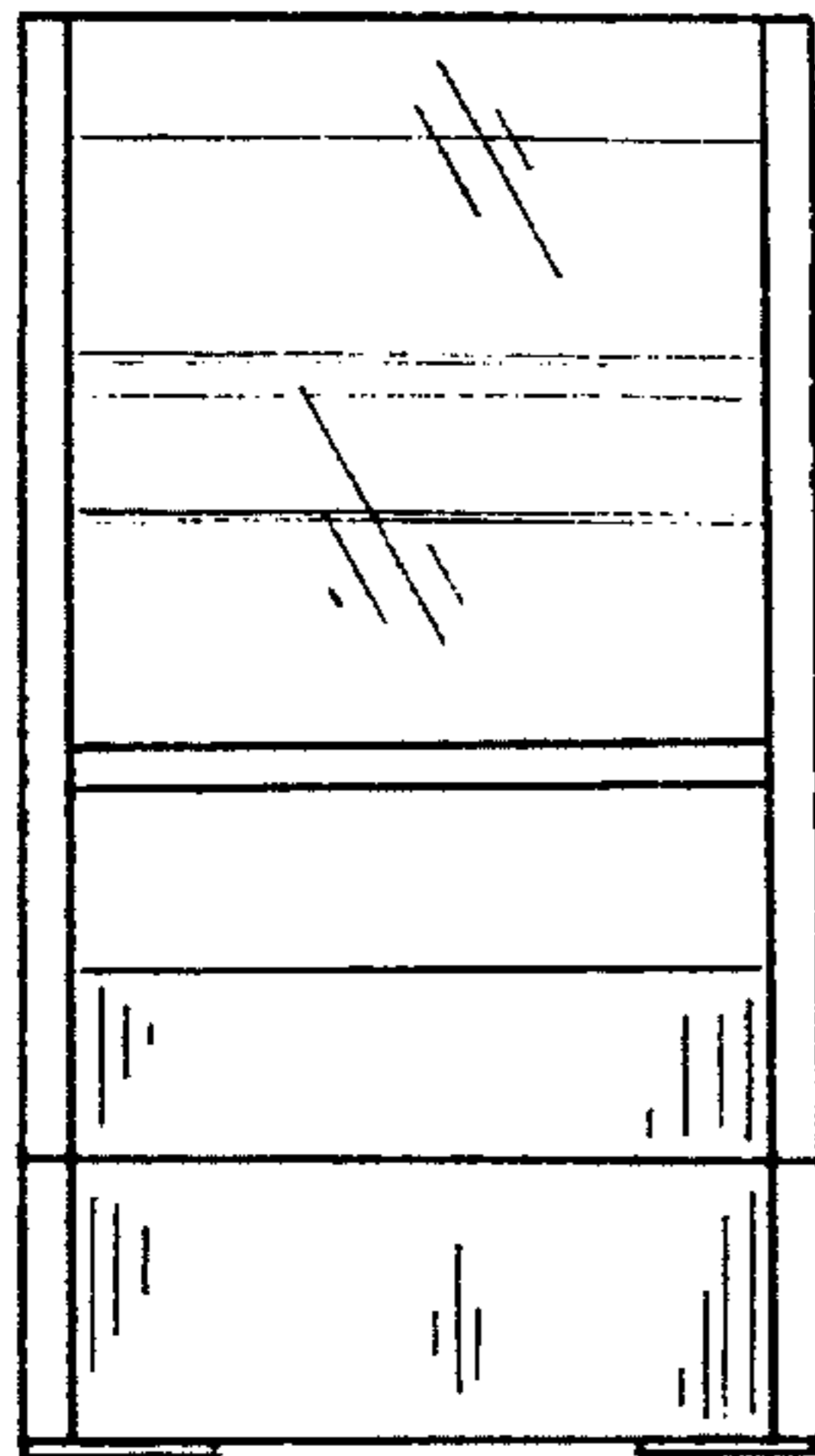


FIG. 3

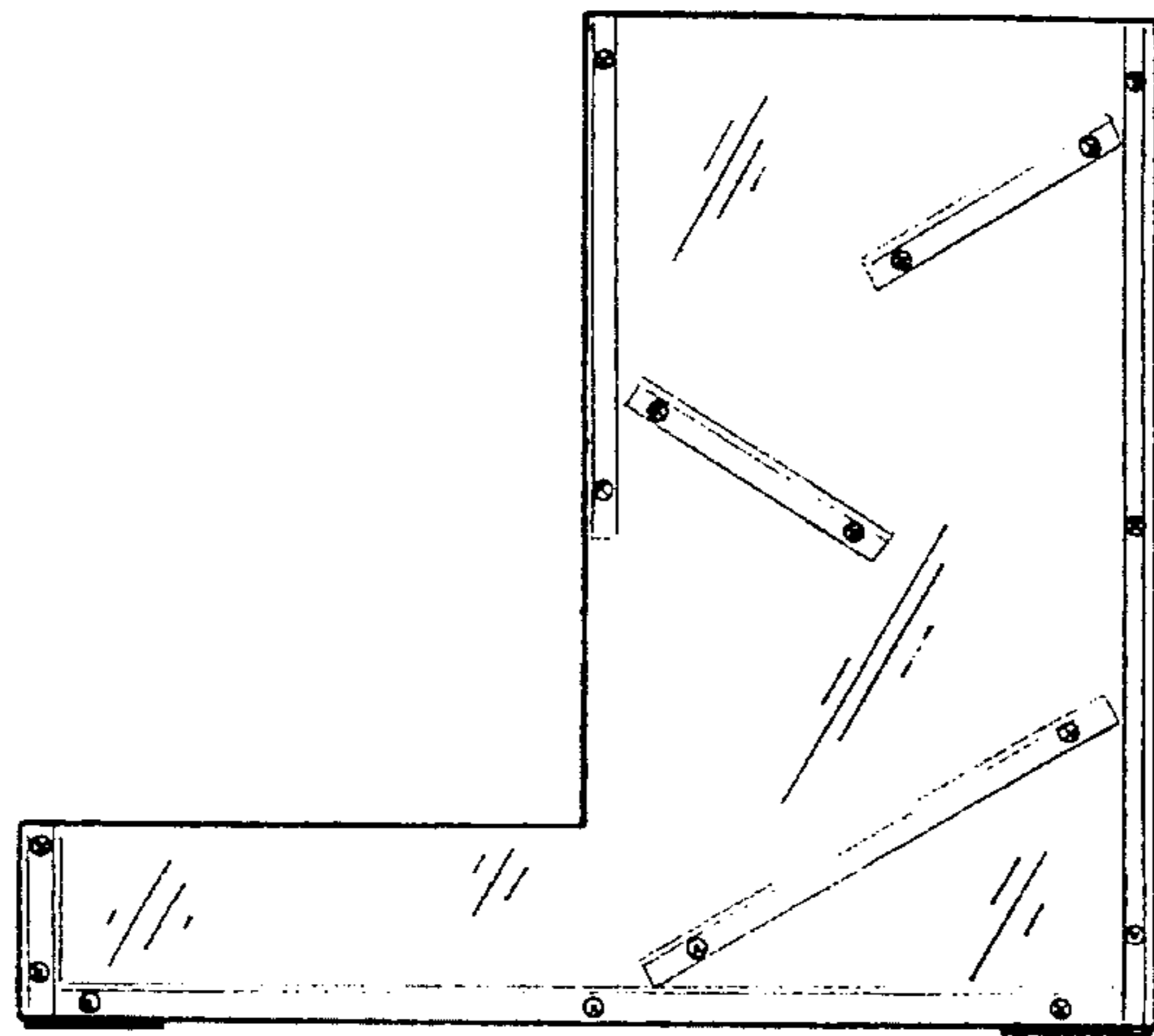


FIG. 4

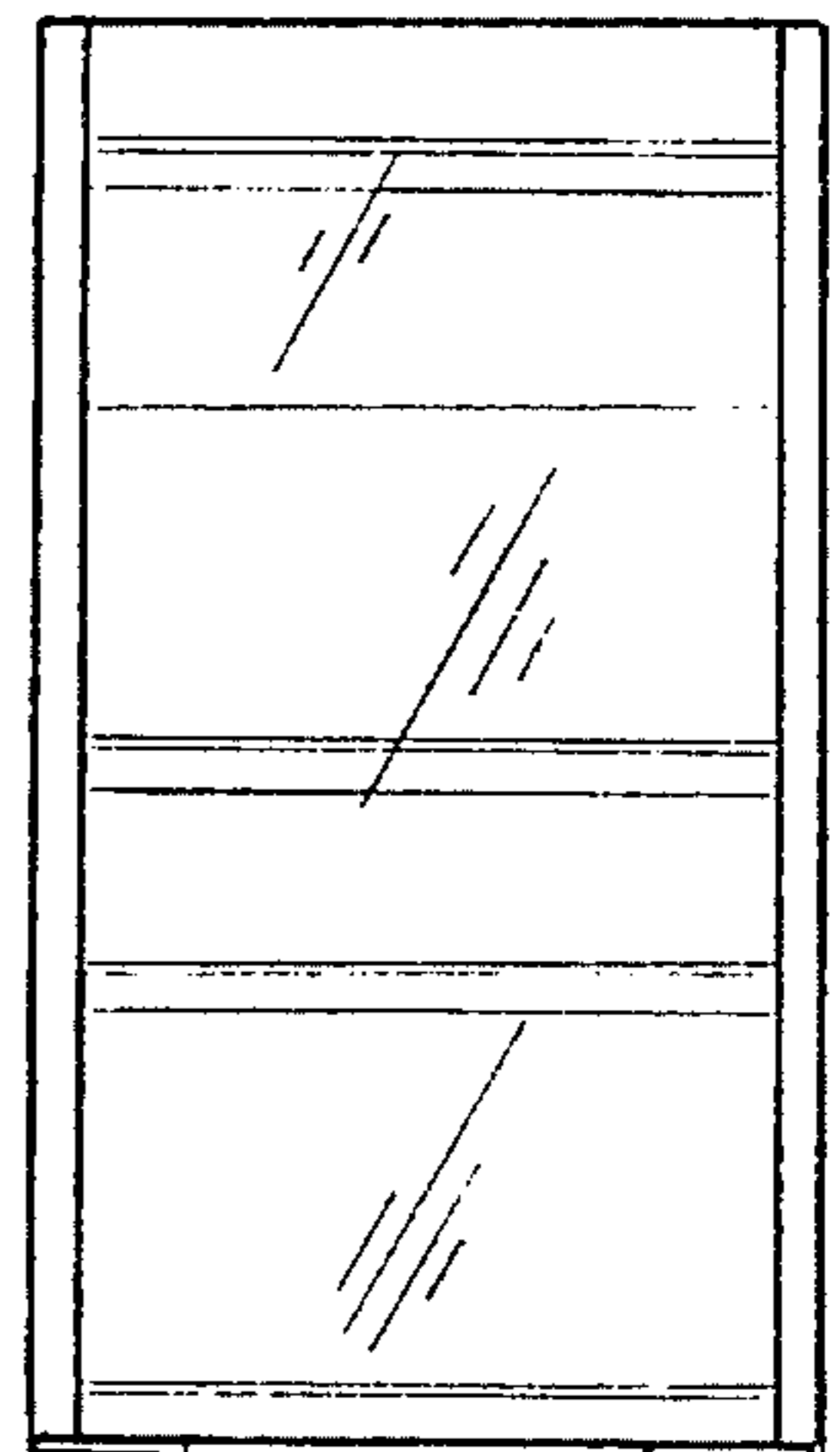


FIG. 5

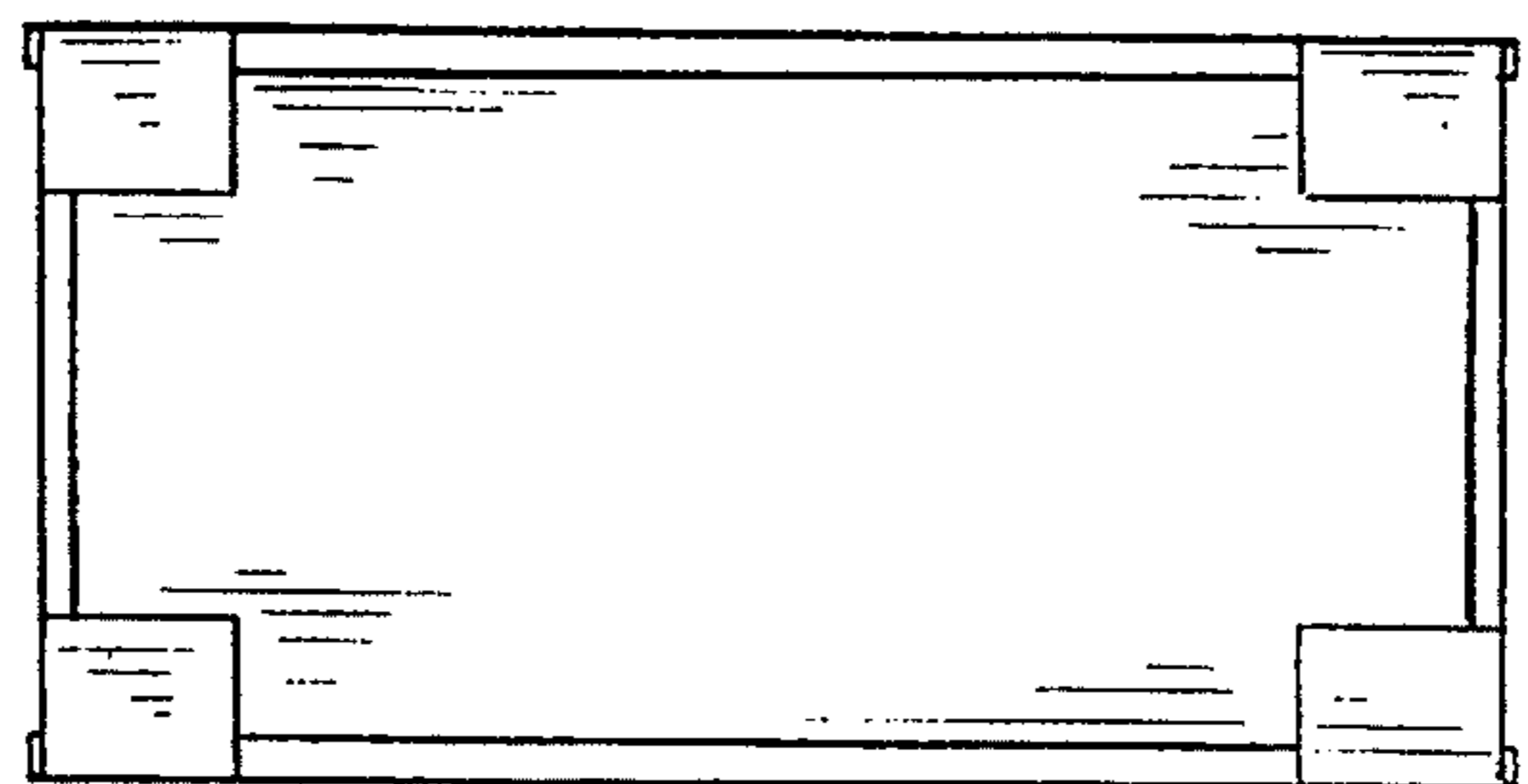


FIG. 6