



US00D365119S

# United States Patent [19]

Ujita et al.

[11] Patent Number: Des. 365,119

[45] Date of Patent: \*\*\* Dec. 12, 1995

[54] **INK CARTRIDGE FOR PRINTER**

[75] Inventors: **Toshihiko Ujita**, Yamato; **Keiichiro Tsukuda**; **Kayomi Sato**, both of Kawasaki; **Masanori Takenouchi**, Yokohama, all of Japan

[73] Assignee: **Canon Kabushiki Kaisha**, Tokyo, Japan

[\*] Notice: The portion of the term of this patent subsequent to Jul. 5, 2008, has been disclaimed.

[\*\*] Term: **14 Years**

[21] Appl. No.: **17,548**

[22] Filed: **Jan. 18, 1994**

[30] **Foreign Application Priority Data**

Jul. 20, 1993 [JP] Japan ..... 5-22151

[52] U.S. Cl. .... **D18/56**; 347/86

[58] Field of Search ..... D18/56; 347/86, 347/87, 71; 400/208, 471

[56] **References Cited**

U.S. PATENT DOCUMENTS

D. 338,232 8/1993 Kotaki et al. .... D18/56

D. 341,620 11/1993 Ujita et al. .... D18/56

D. 348,479 7/1994 Ujita et al. .... D18/56

D. 348,480 7/1994 Ujita et al. .... D18/56

D. 351,855 10/1994 Kubota et al. .... D18/56

D. 352,059 11/1994 Kubota et al. .... D18/56

D. 352,060 11/1994 Kubota et al. .... D18/56

4,131,899 12/1978 Christou ..... 347/71

4,992,802 2/1991 Dion et al. .... 347/87

5,162,817 11/1992 Tajika et al. .... 347/86

FOREIGN PATENT DOCUMENTS

0027273 2/1986 Japan ..... 400/208

*Primary Examiner*—Cathy Anne MacCormac  
*Attorney, Agent, or Firm*—Fitzpatrick, Cella, Harper & Scinto

[57] **CLAIM**

The ornamental design for an ink cartridge for printer, as shown and described.

**DESCRIPTION**

FIG. 1 is a front elevational view of an ink cartridge for printer showing our new design;

FIG. 2 is a rear elevational view thereof;

FIG. 3 is a top plan view thereof;

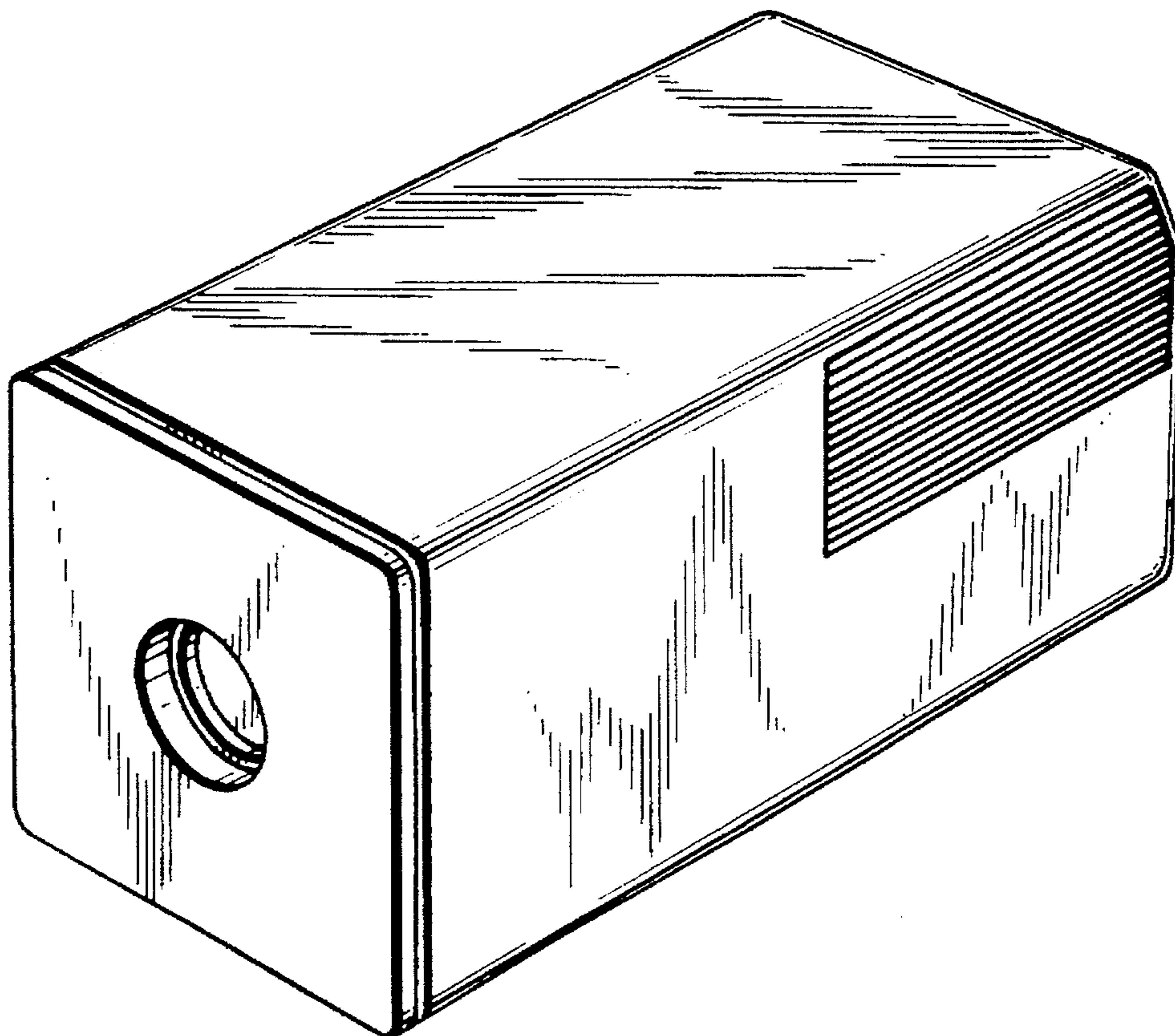
FIG. 4 is a bottom plan view thereof;

FIG. 5 is a left side elevational view thereof;

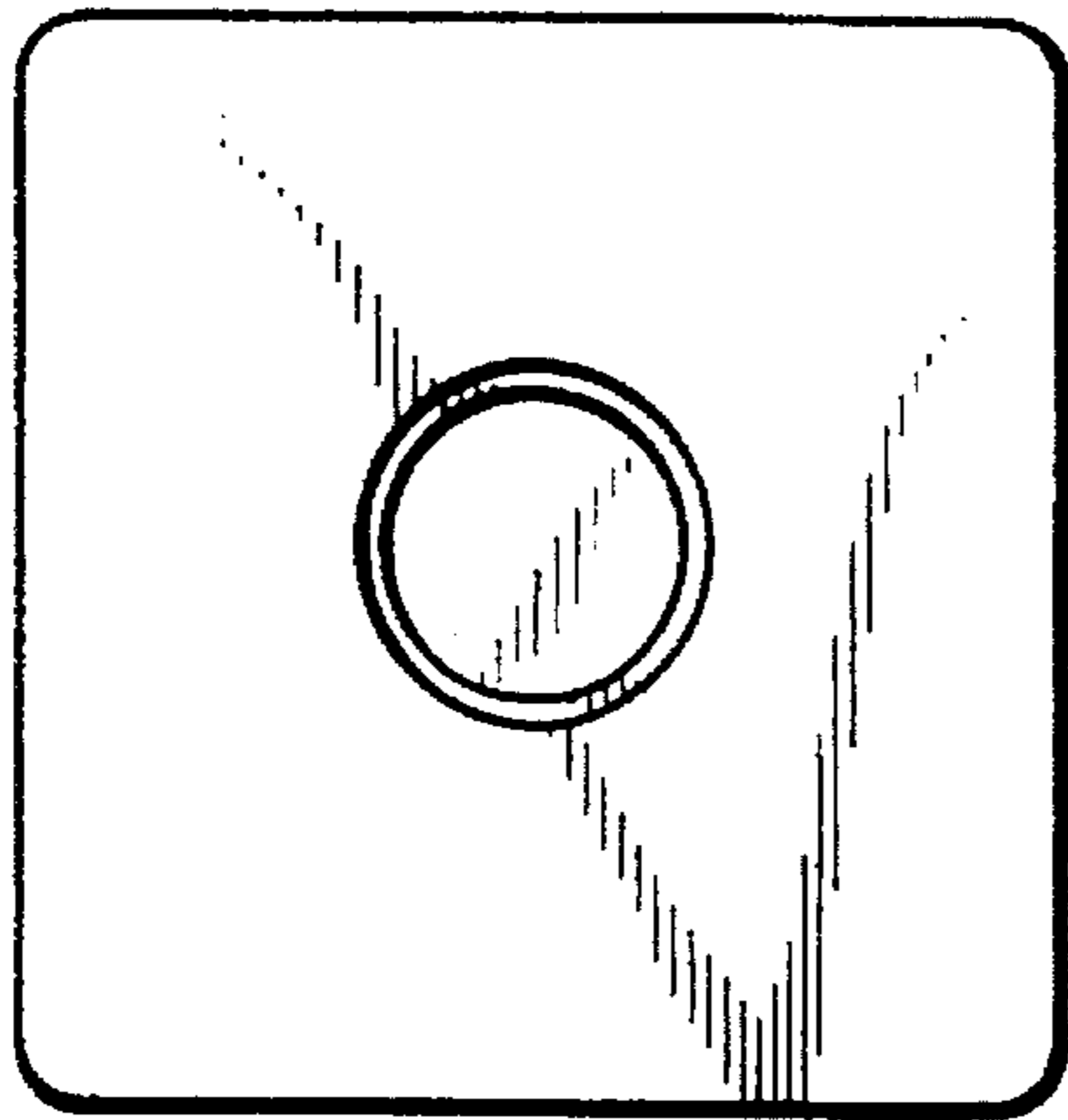
FIG. 6 is a right side elevational view thereof; and,

FIG. 7 is a perspective view thereof.

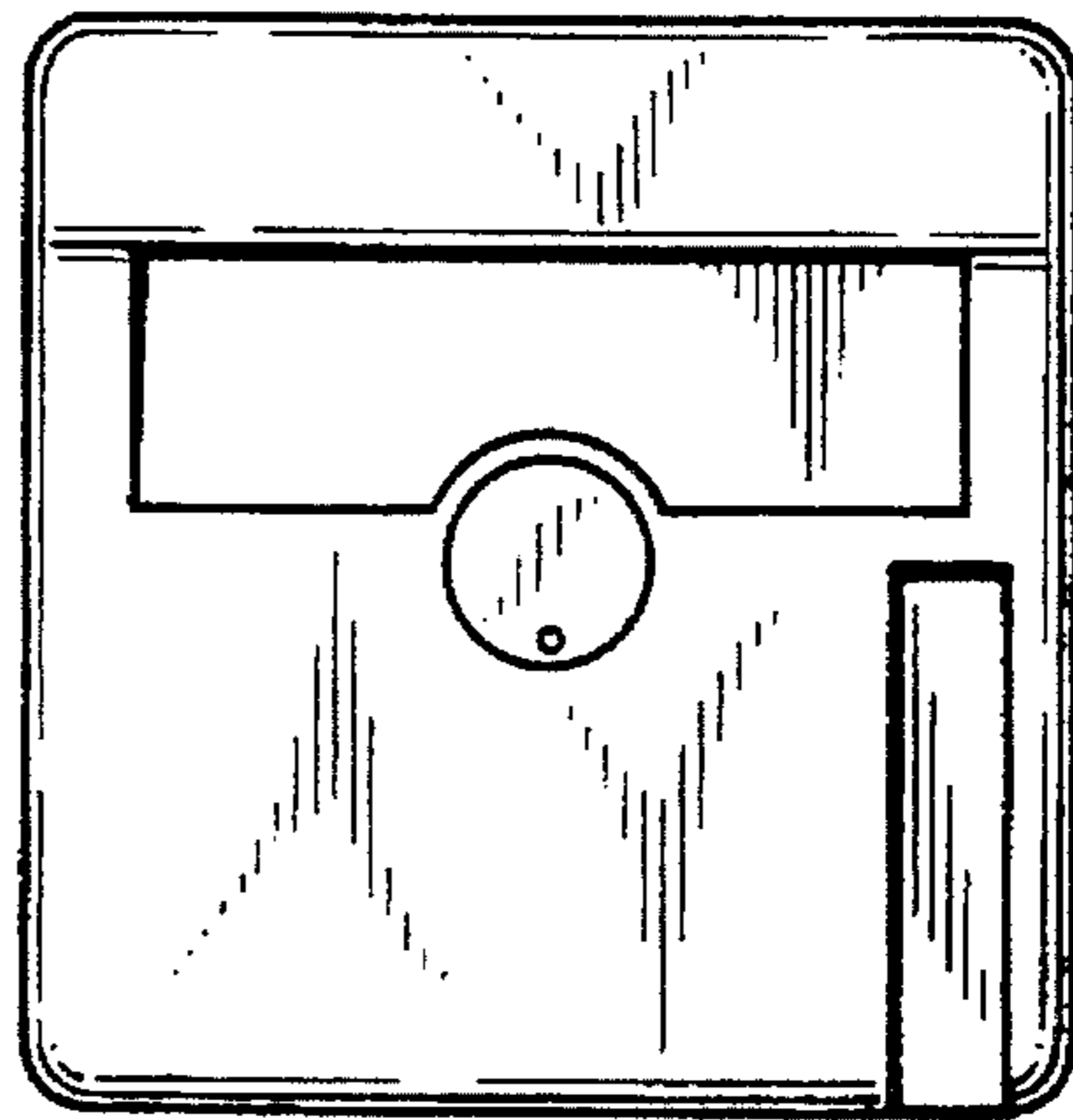
**1 Claim, 2 Drawing Sheets**



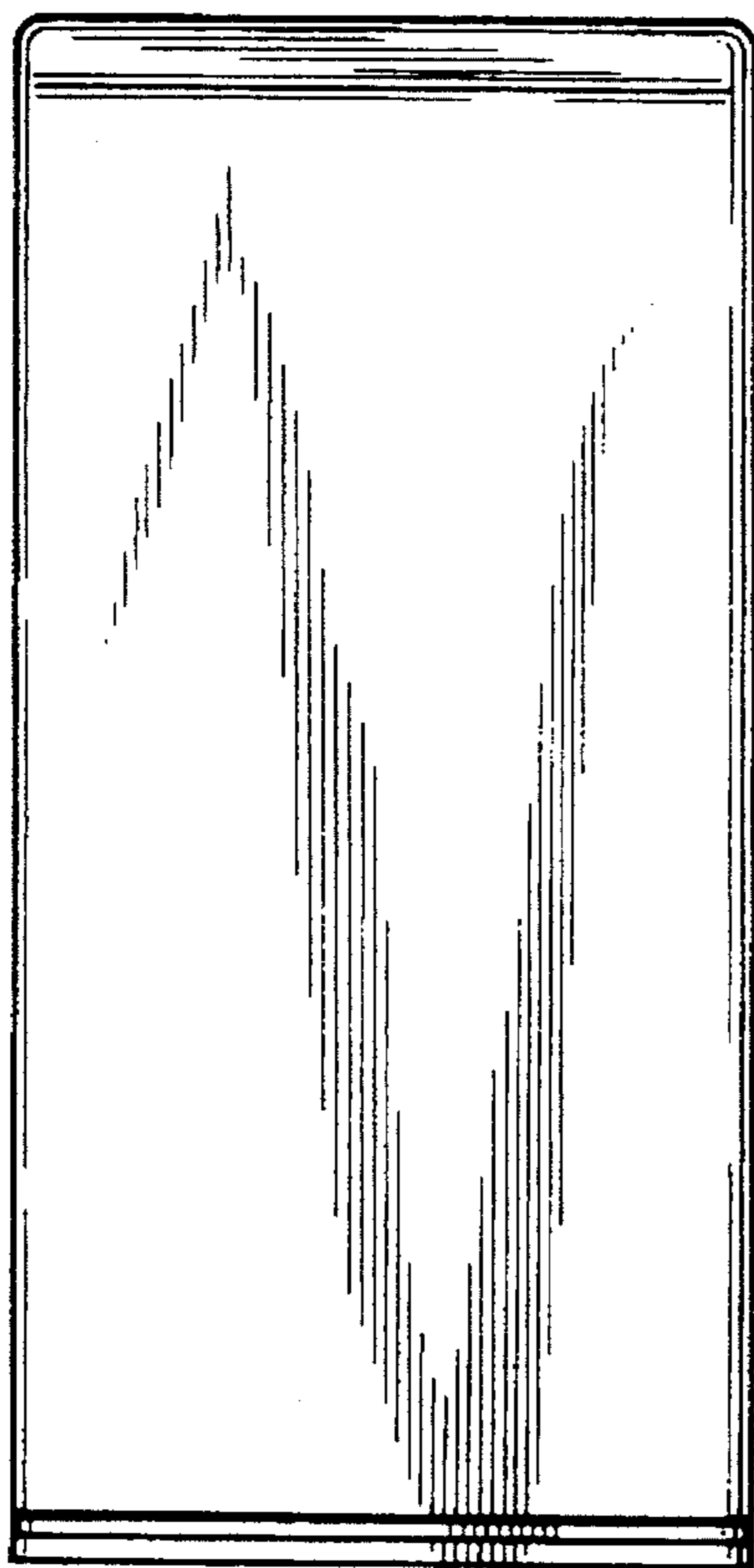
*FIG. 1*



*FIG. 2*



*FIG. 3*



*FIG. 4*

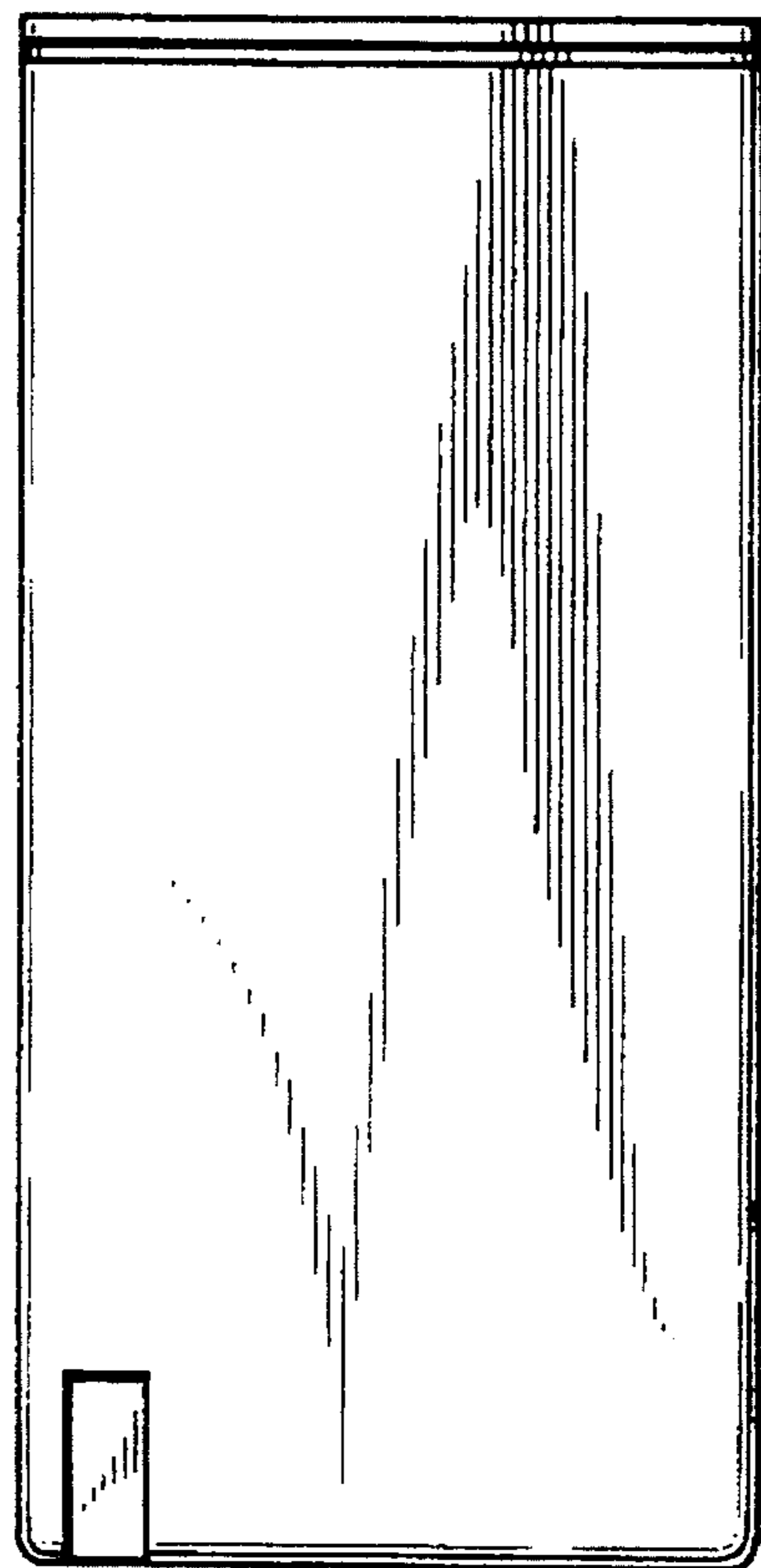


FIG. 5

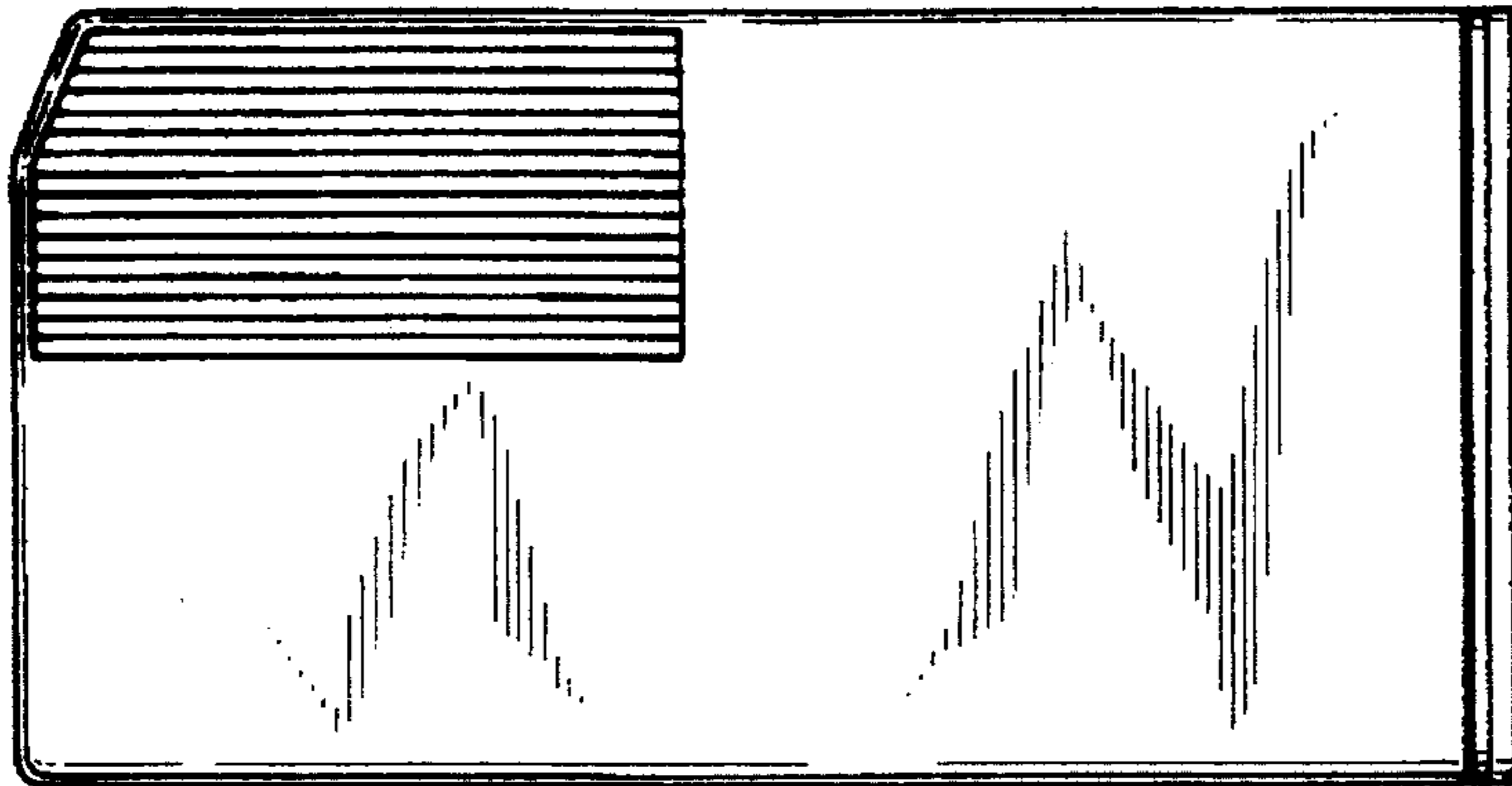


FIG. 6

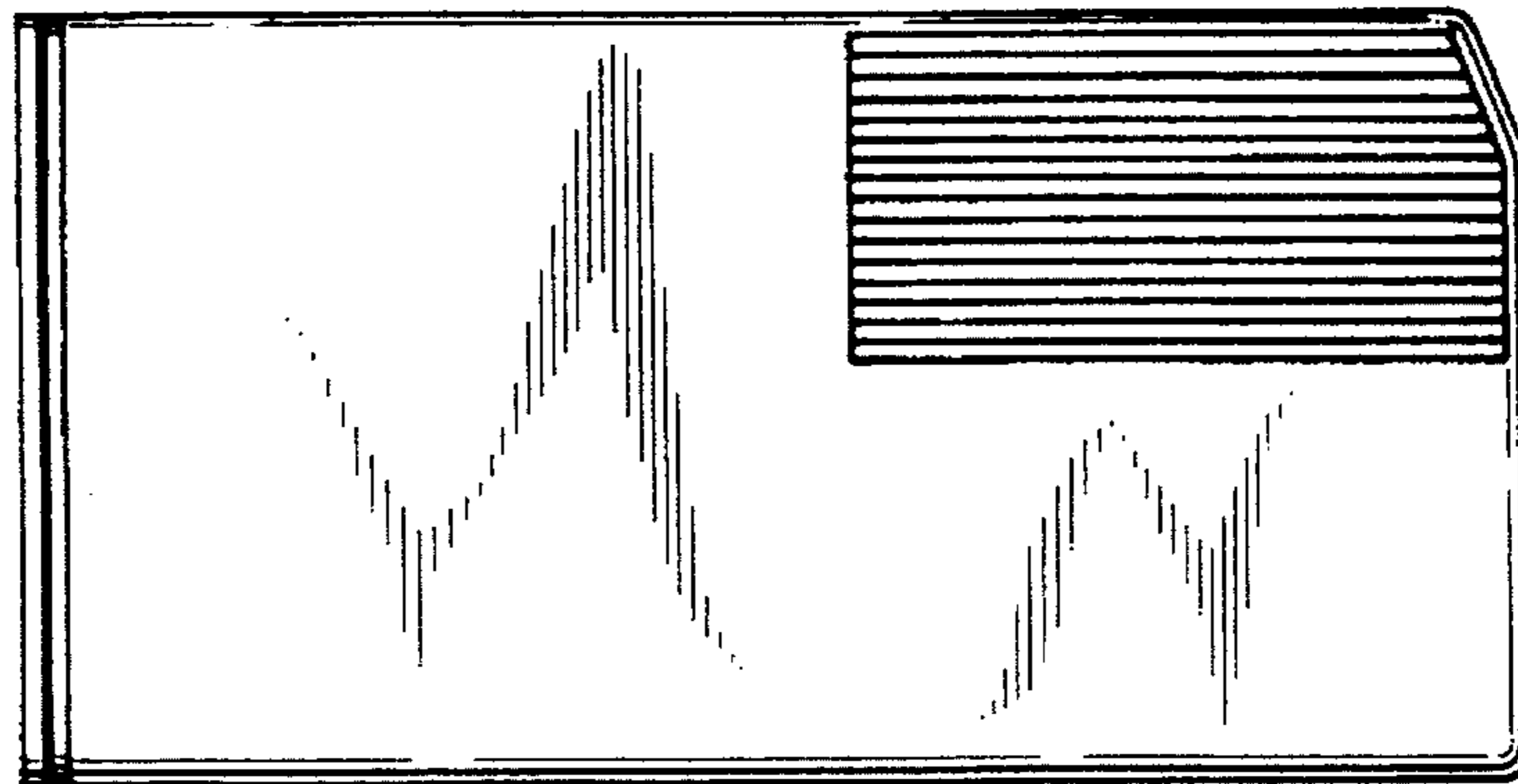
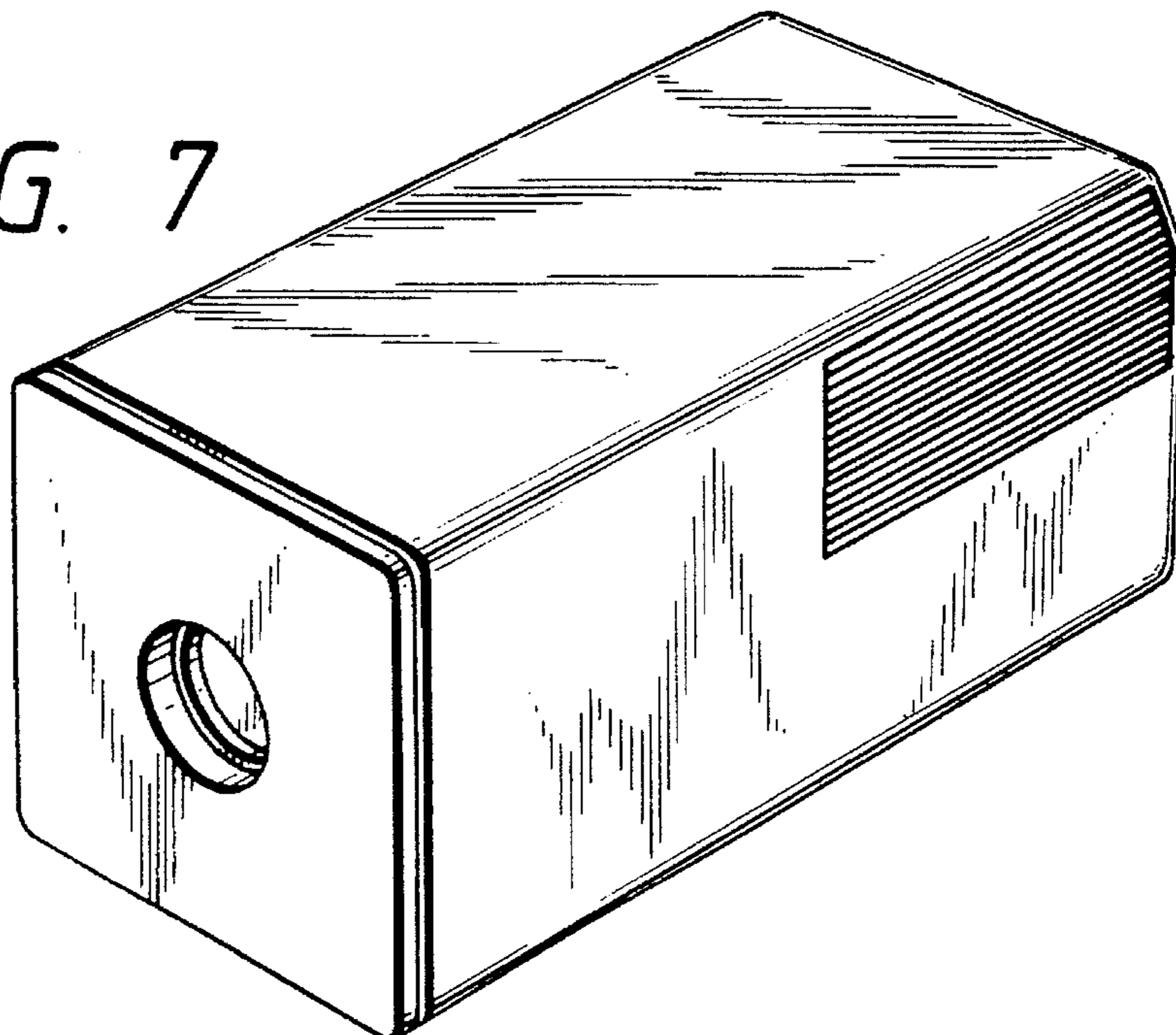


FIG. 7



UNITED STATES PATENT AND TRADEMARK OFFICE  
**CERTIFICATE OF CORRECTION**

PATENT NO. : Des. 365,119

DATED : December 12, 1995

INVENTOR(S):: TOSHIHIKO UJITA ET AL.

It is certified that error appears in the above-identified patent and that said Letters Patent is hereby corrected as shown below:

On the title page, item

[56] REFERENCES CITED

The following U.S. patent documents should be listed  
--D.331,939 12/1992 Ujita.....D18/12  
D.338,224 8/1993 Ujita.....D18/56  
D.341,619 11/1993 Ujita.....D18/56--.

Signed and Sealed this  
Sixteenth Day of April, 1996



BRUCE LEHMAN

Attest:

Attesting Officer

Commissioner of Patents and Trademarks