



US00D365116S

United States Patent [19]

Ohi et al.

[11] Patent Number: **Des. 365,116**

[45] Date of Patent: ****Dec. 12, 1995**

[54] **COMBINED MONITOR, VIDEO TAPE RECORDER AND VIDEO CAMERA**

[75] Inventors: **Hiroshi Ohi; Tetsuya Tsujimura**, both of Tochigi, Japan

[73] Assignee: **Sharp Kabushiki Kaisha**, Osaka, Japan

[**] Term: **14 Years**

[21] Appl. No.: **25,474**

[22] Filed: **Jun. 14, 1994**

[30] Foreign Application Priority Data

Dec. 14, 1993 [JP] Japan 5-37936

[52] U.S. Cl. **D16/202**

[58] Field of Search D14/113; D16/200-205, D16/208; 348/143, 207, 373-376; 354/82, 288; 352/242, 243; 358/906, 909.1; H04N 5/225

[56] References Cited

U.S. PATENT DOCUMENTS

D. 330,383	10/1992	Uchikawa et al.	D16/202
D. 341,368	11/1993	Ooi et al.	D16/202
D. 341,369	11/1993	Ooi et al.	D16/202
D. 347,235	5/1994	Ooi et al.	D16/202
D. 347,236	5/1994	Ooi et al.	D16/202
D. 352,728	11/1994	Kurokawa et al.	D16/202
D. 352,729	11/1994	Tsujimura et al.	D16/202
D. 356,097	3/1995	Sakata et al.	D16/202

D. 356,326	3/1995	Miyashita et al.	D16/202
4,873,576	10/1989	Hattori et al.	348/373

FOREIGN PATENT DOCUMENTS

57-127978	8/1982	Japan	358/906
4-84571	3/1992	Japan	H04N 5/225

Primary Examiner—Ted Shooman
Assistant Examiner—Adir Aronovich
Attorney, Agent, or Firm—Nixon & Vanderhye

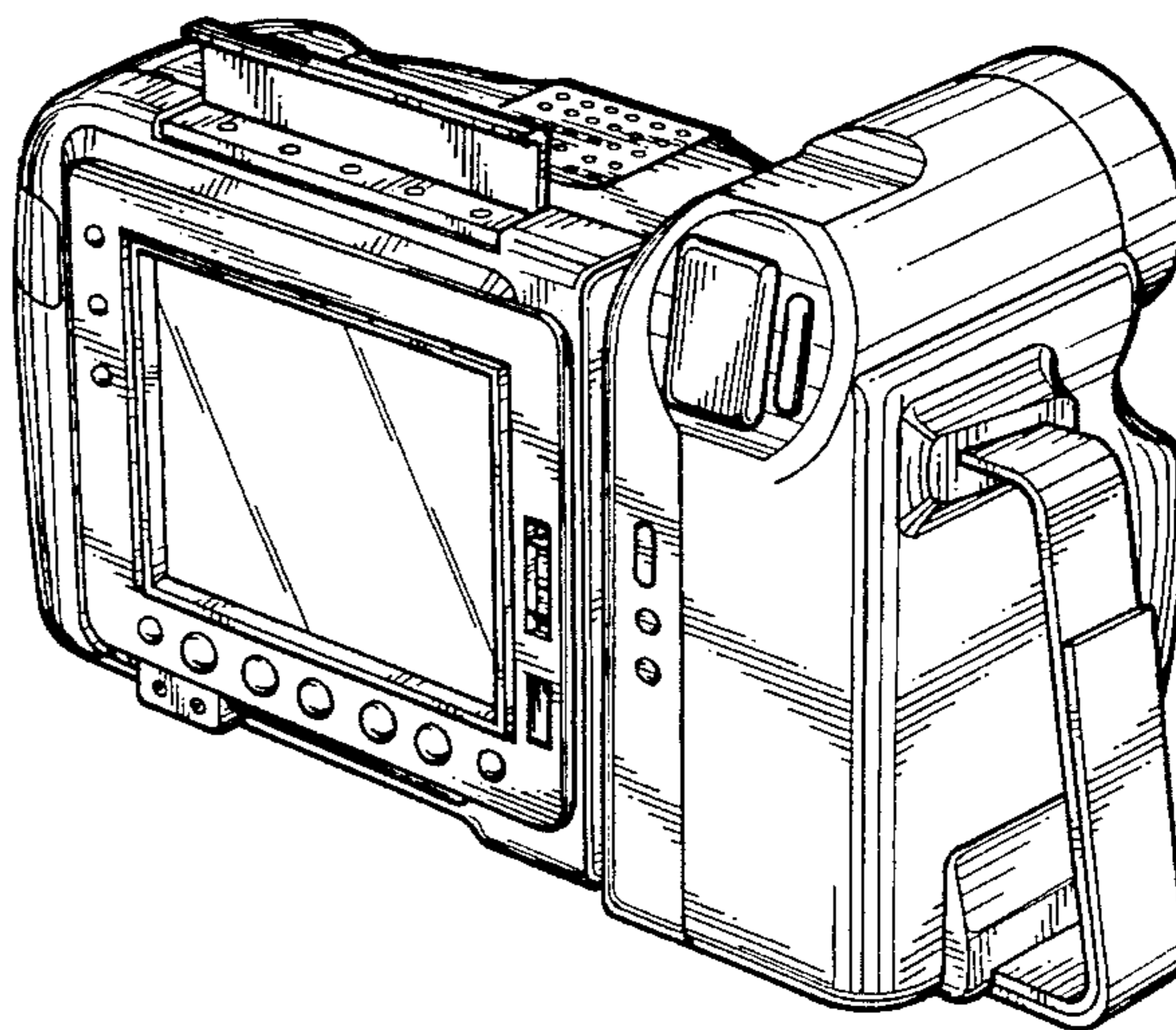
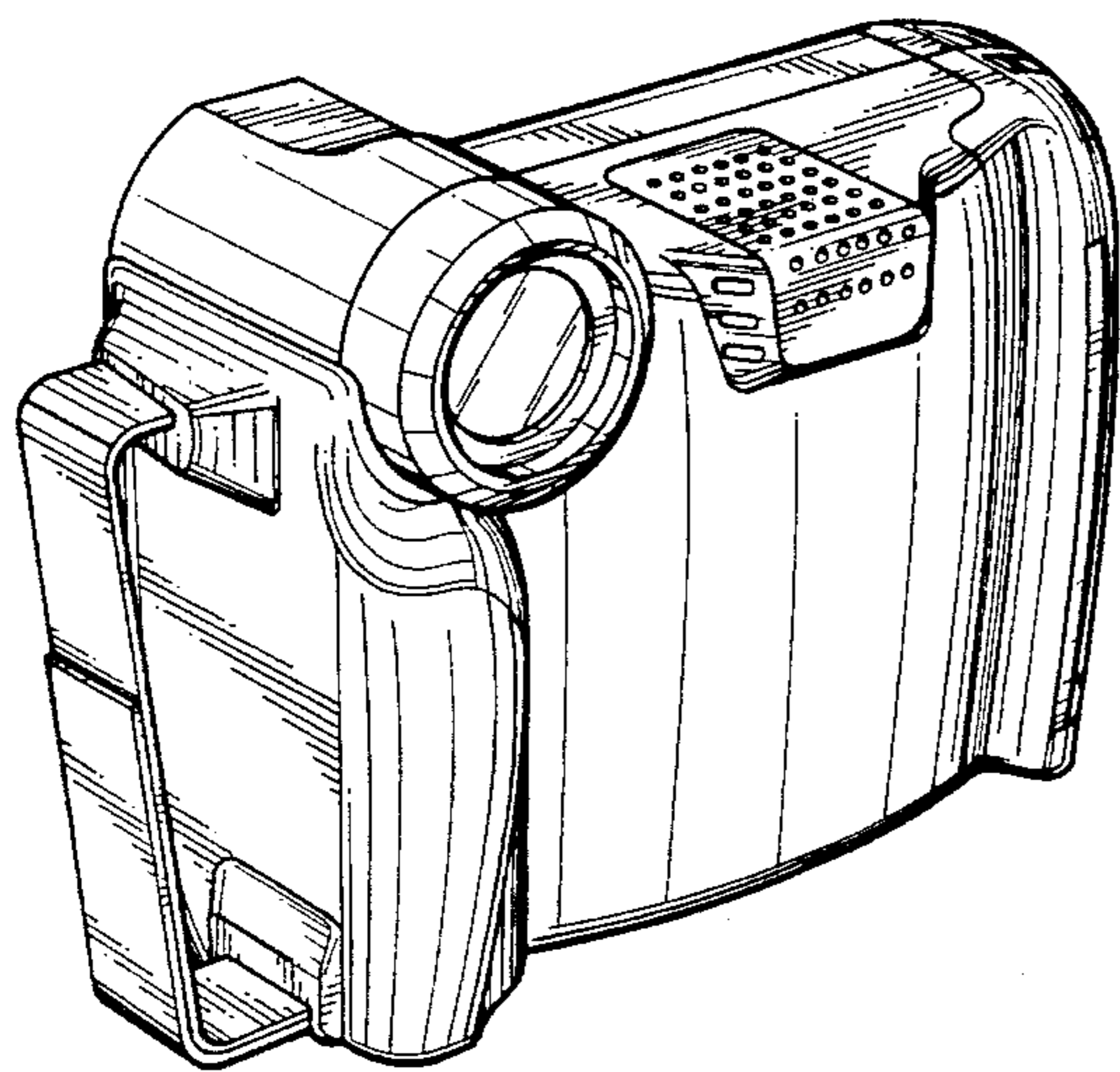
[57] CLAIM

The ornamental design for a combined monitor, video tape recorder and video camera, as shown and described.

DESCRIPTION

FIG. 1 is a top, front and left side perspective view of a combined monitor, video tape recorder and video camera according to our design;
FIG. 2 is a top, rear and left side perspective view thereof;
FIG. 3 is a top plan view thereof;
FIG. 4 is a front elevational view thereof;
FIG. 5 is a rear elevational view thereof;
FIG. 6 is a bottom plan view thereof;
FIG. 7 is a right side elevational view thereof;
FIG. 8 is a left side elevational view thereof; and,
FIG. 9 is a top, rear and left side perspective view of the combined monitor, video tape recorder and video camera with the monitor and video tape recorder section rotated 180° relative to the video camera section.

1 Claim, 6 Drawing Sheets



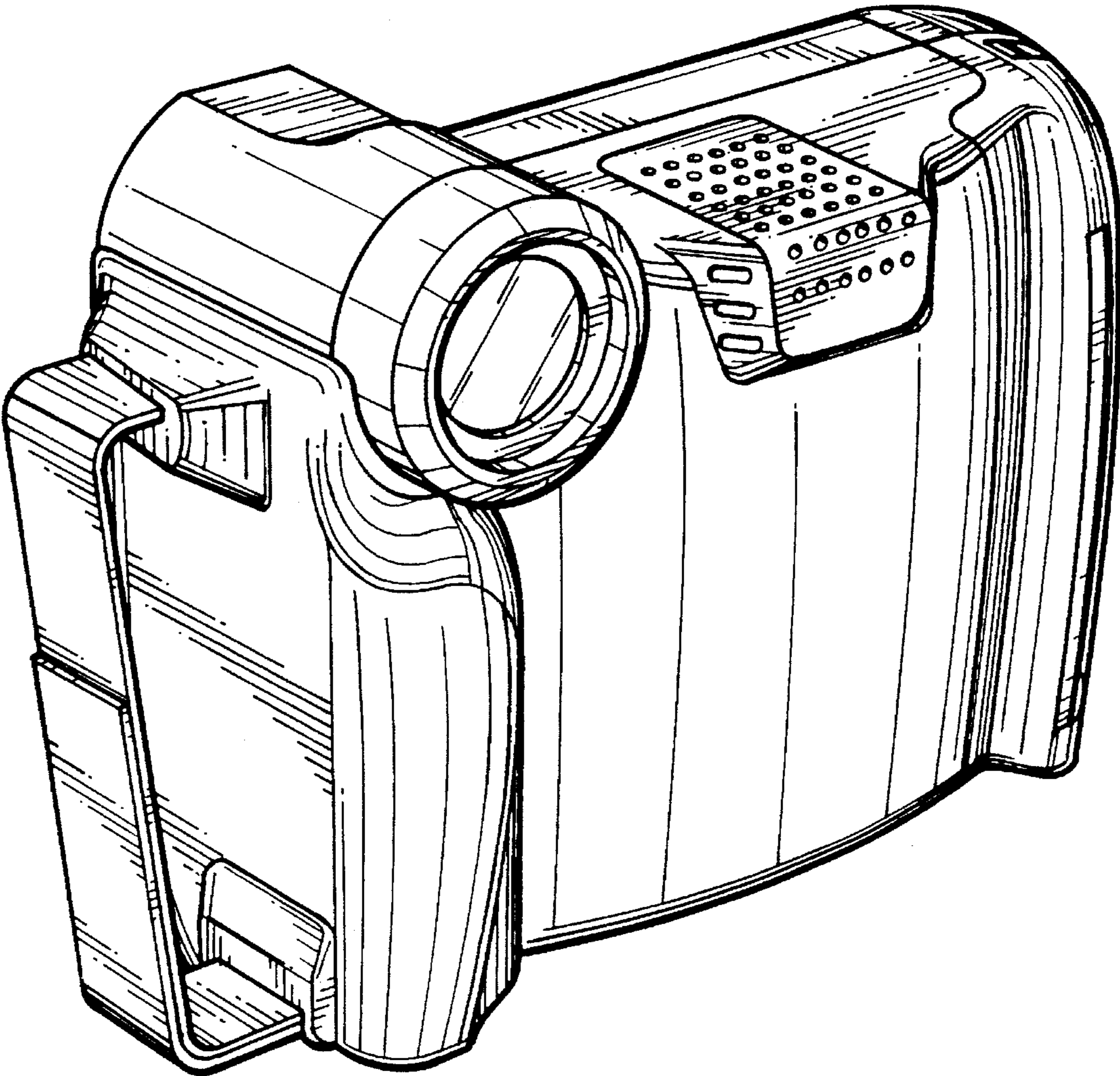


FIG. 1

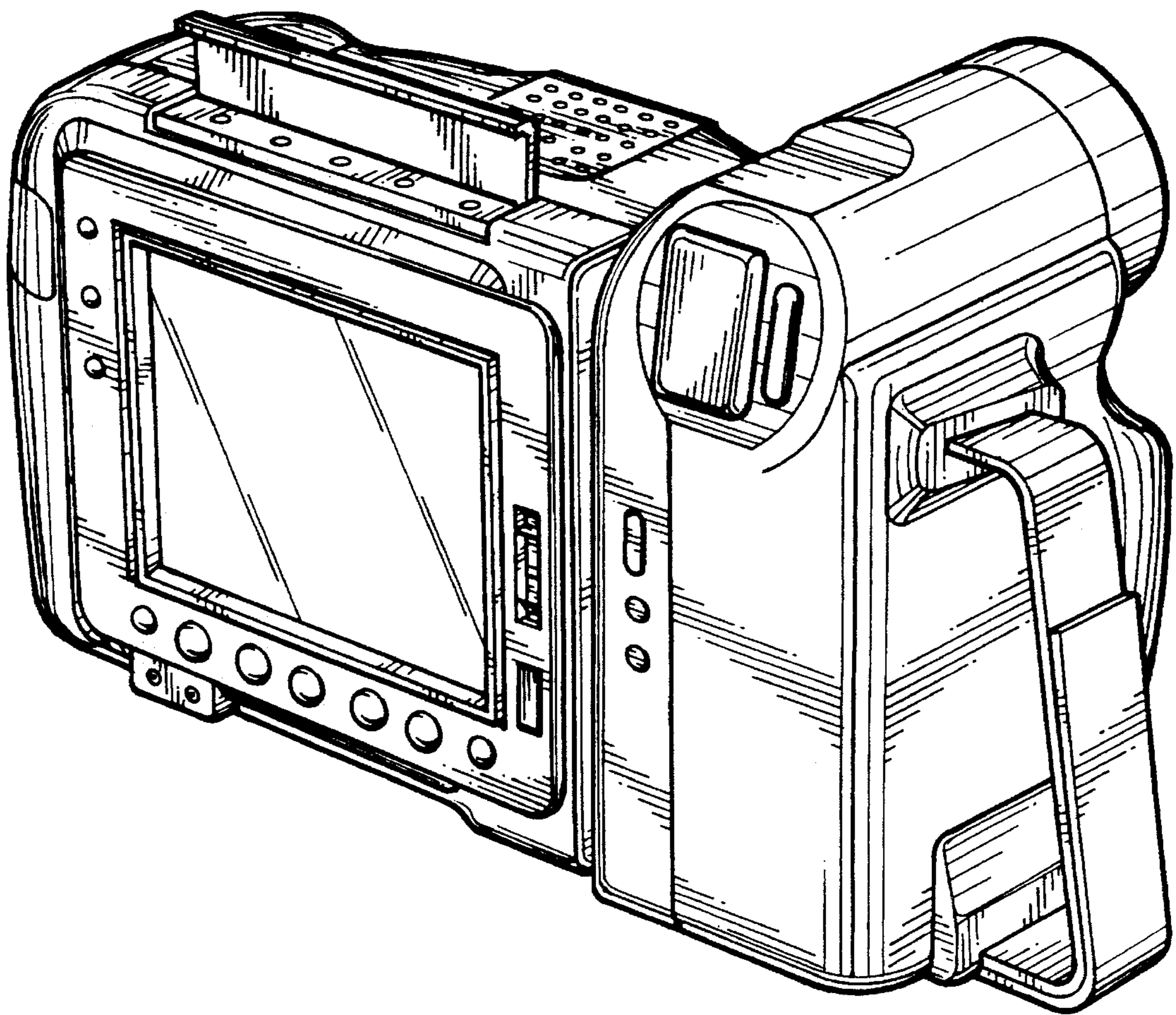


FIG. 2

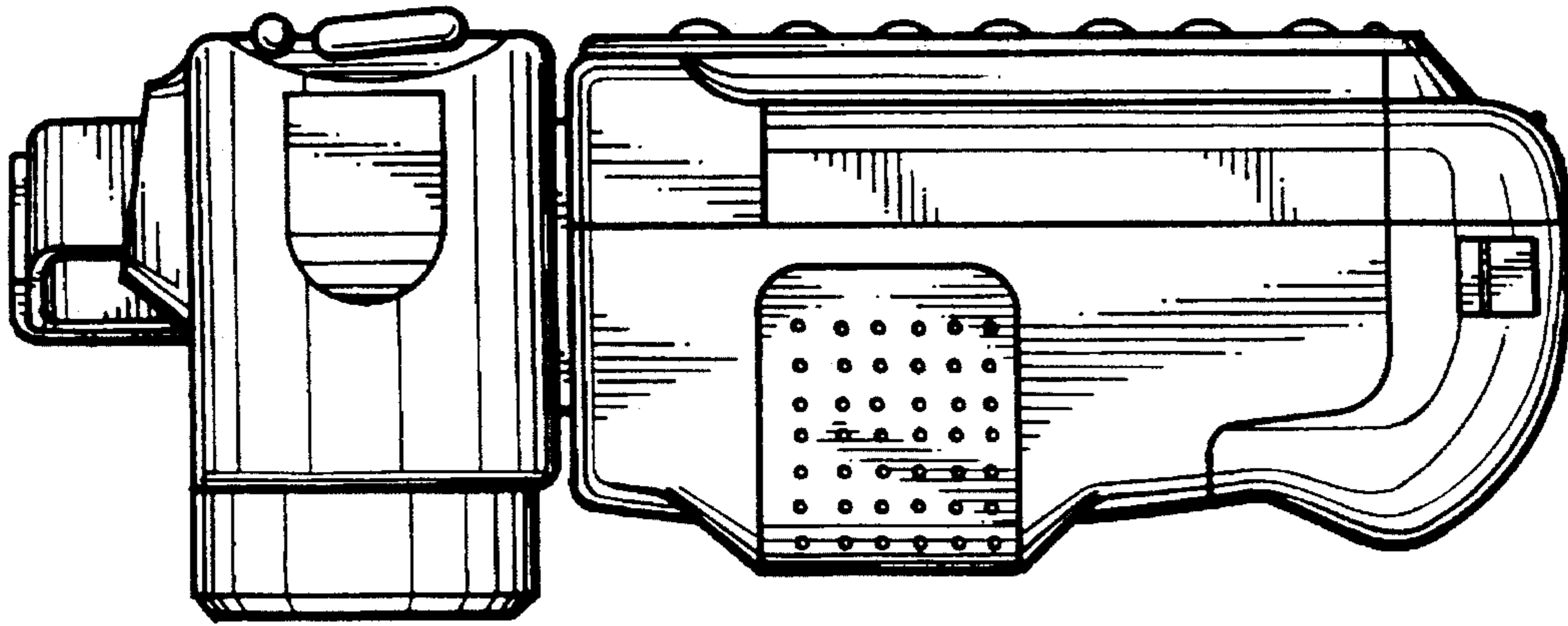


FIG. 3

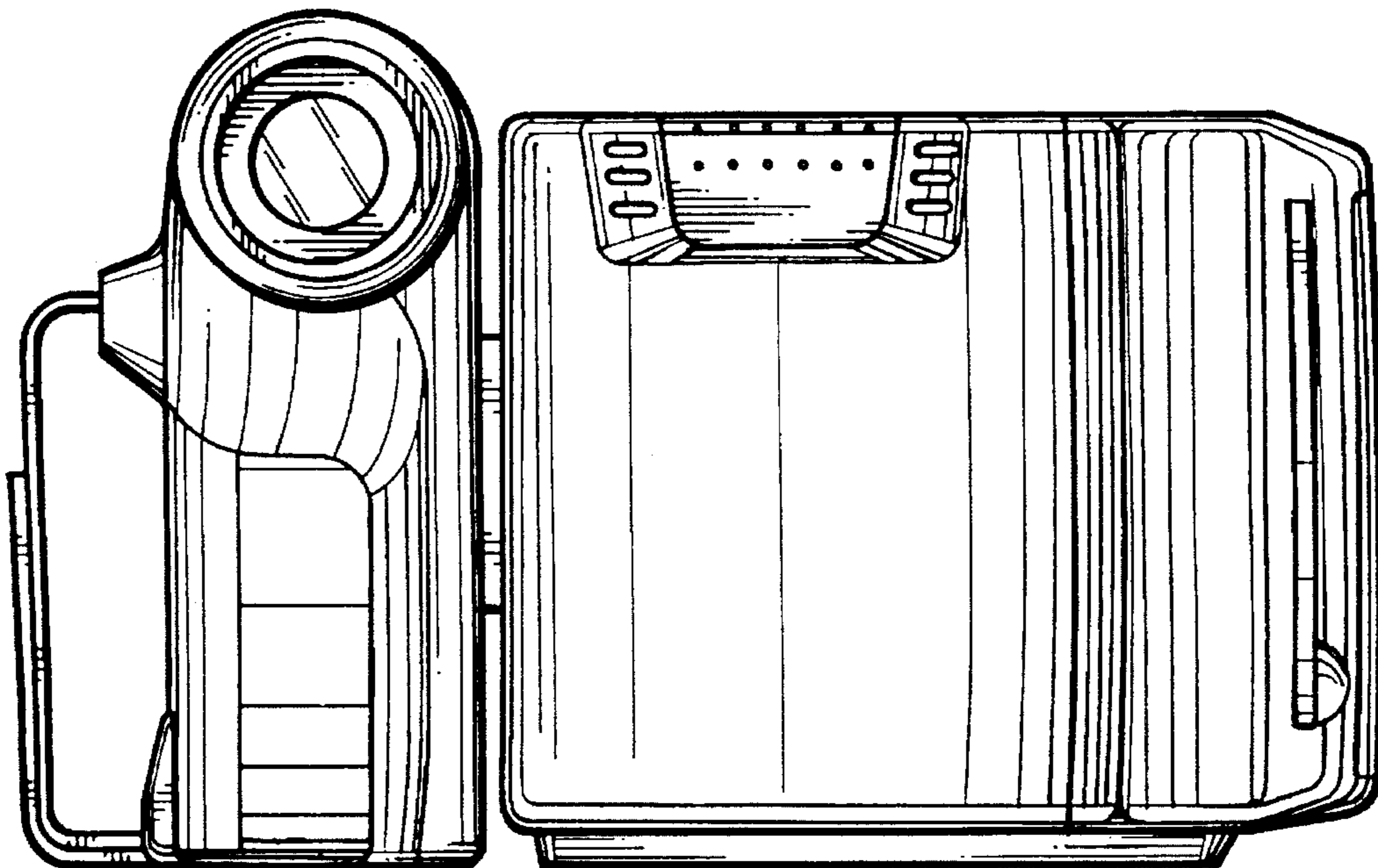


FIG. 4

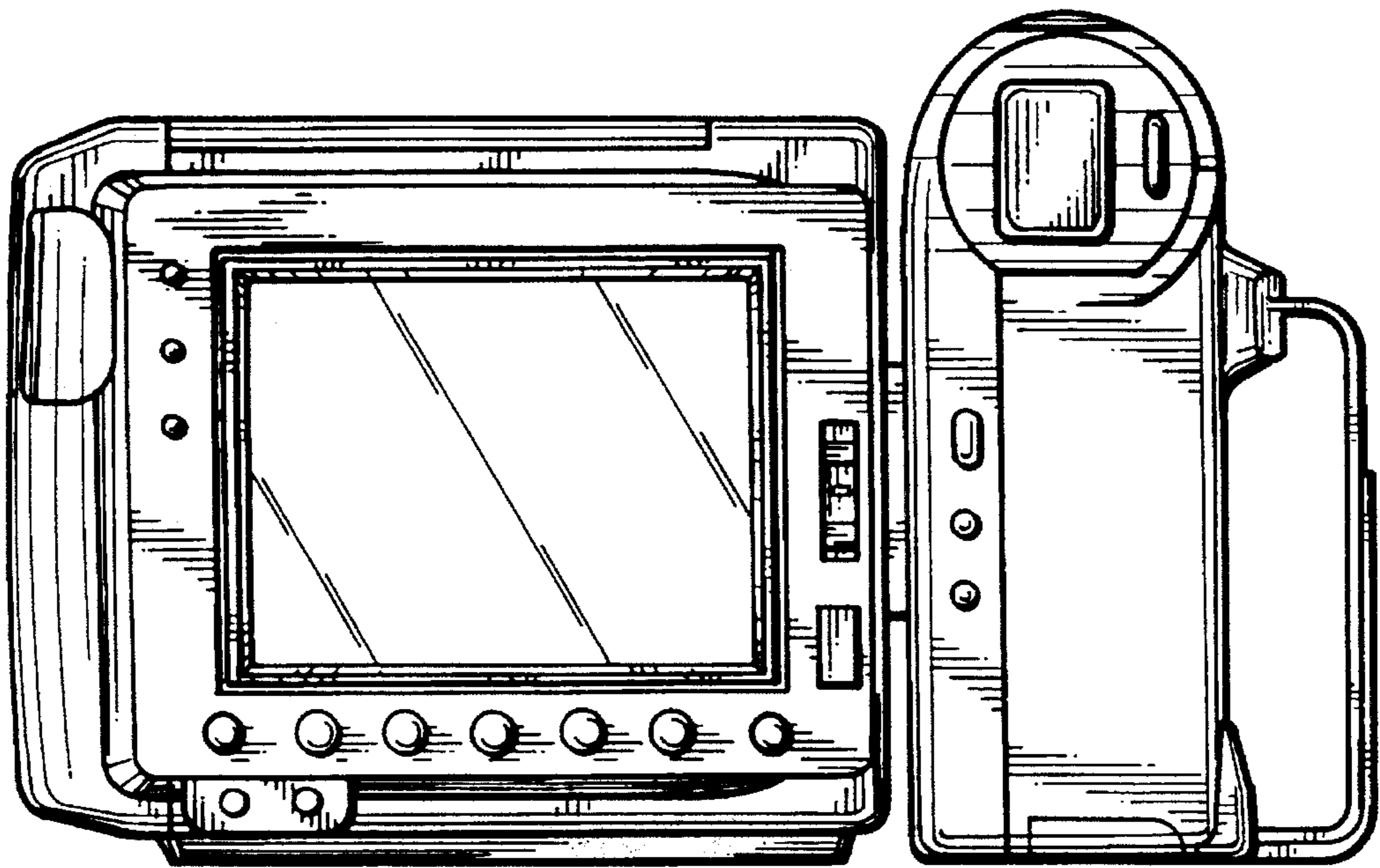


FIG. 5

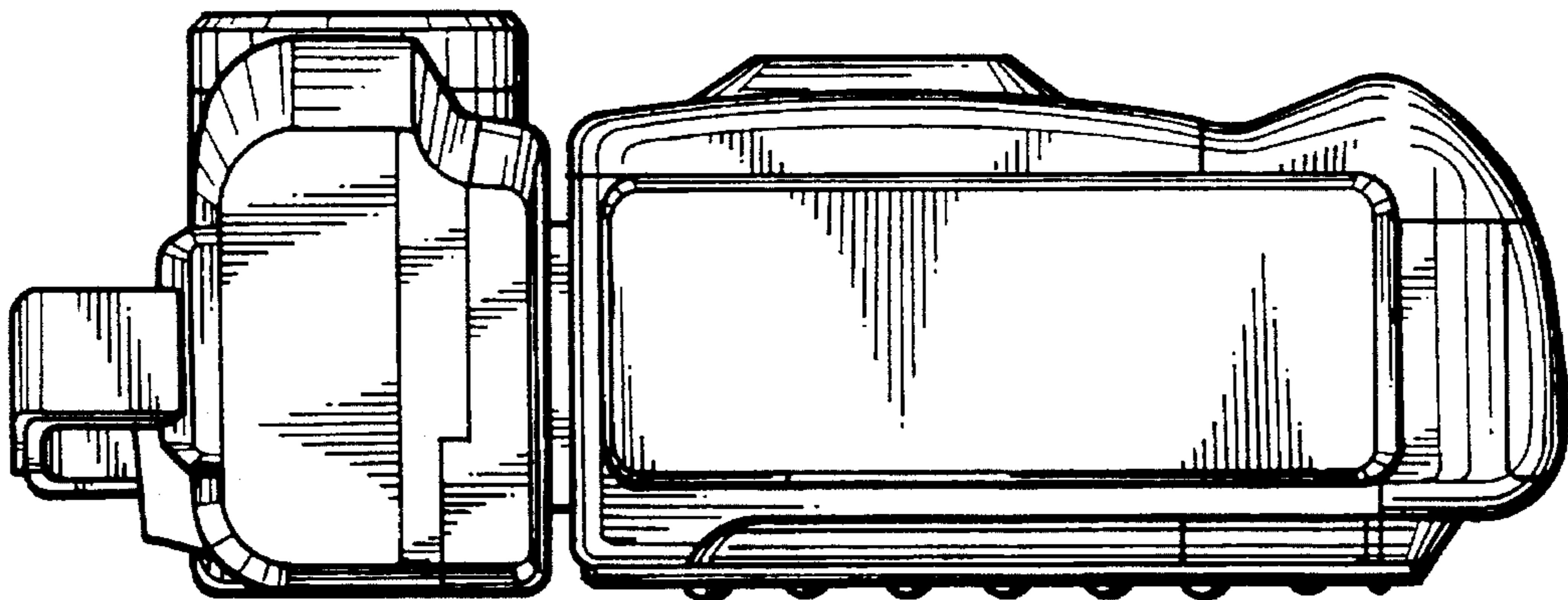


FIG. 6

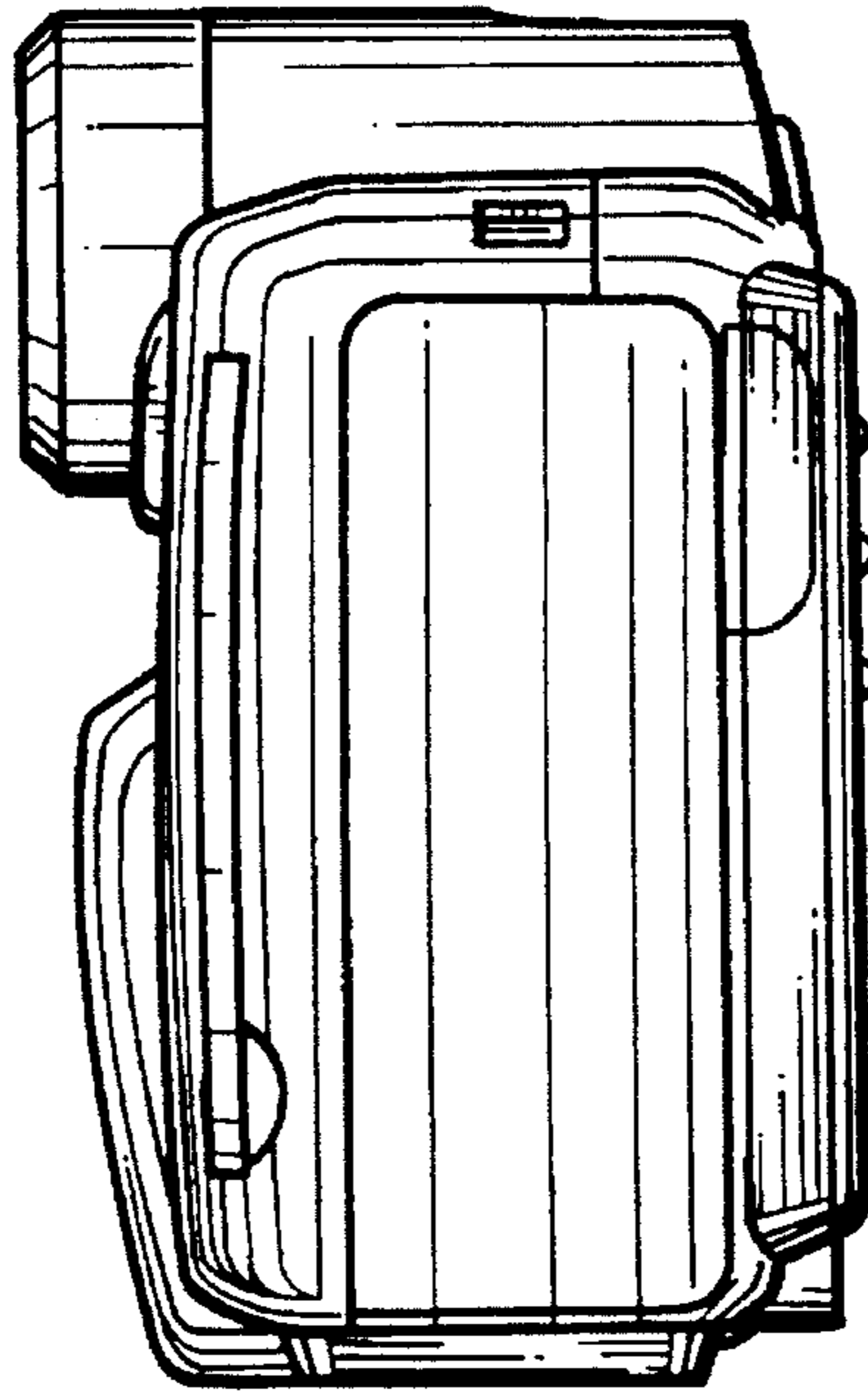


FIG. 7

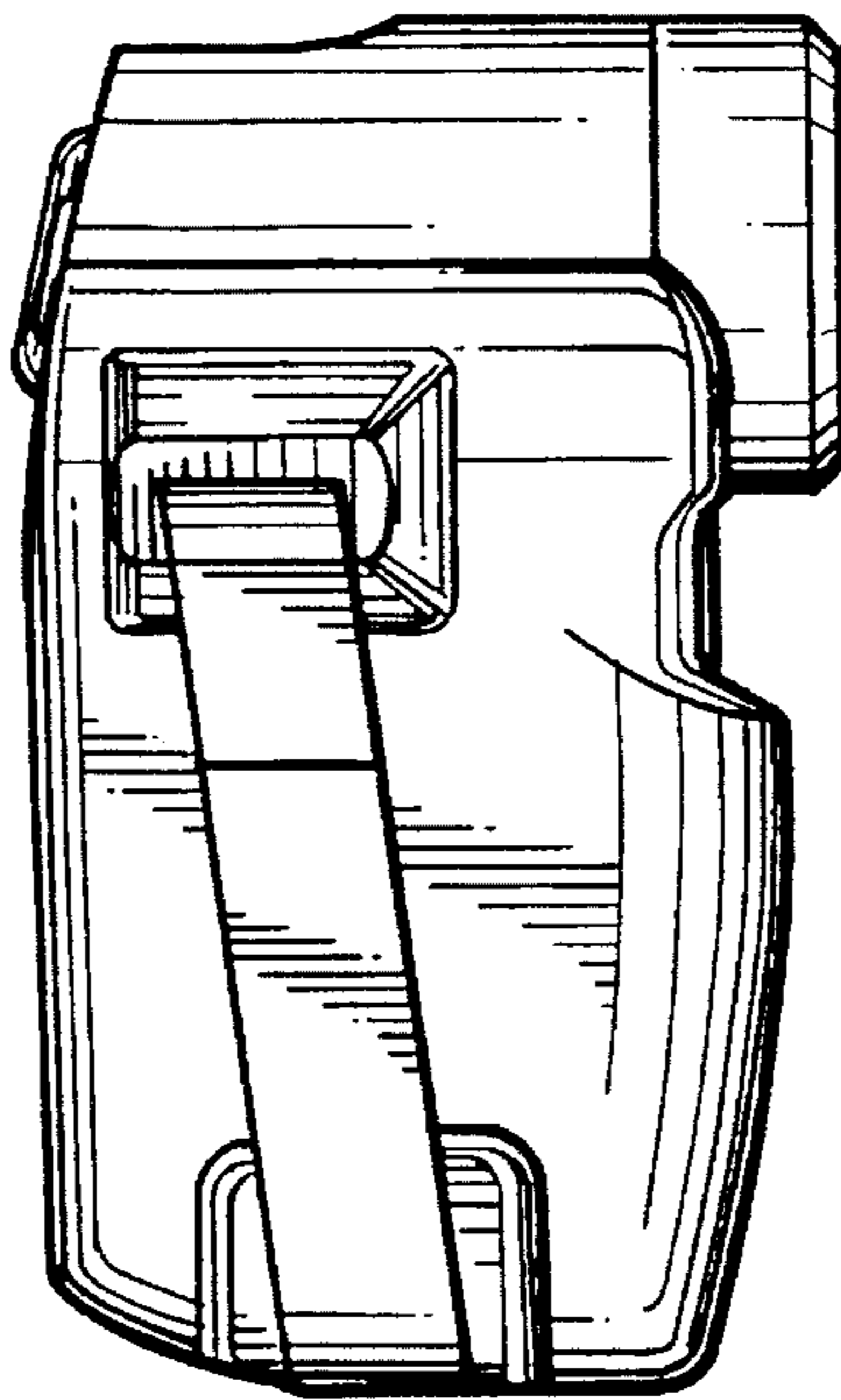


FIG. 8

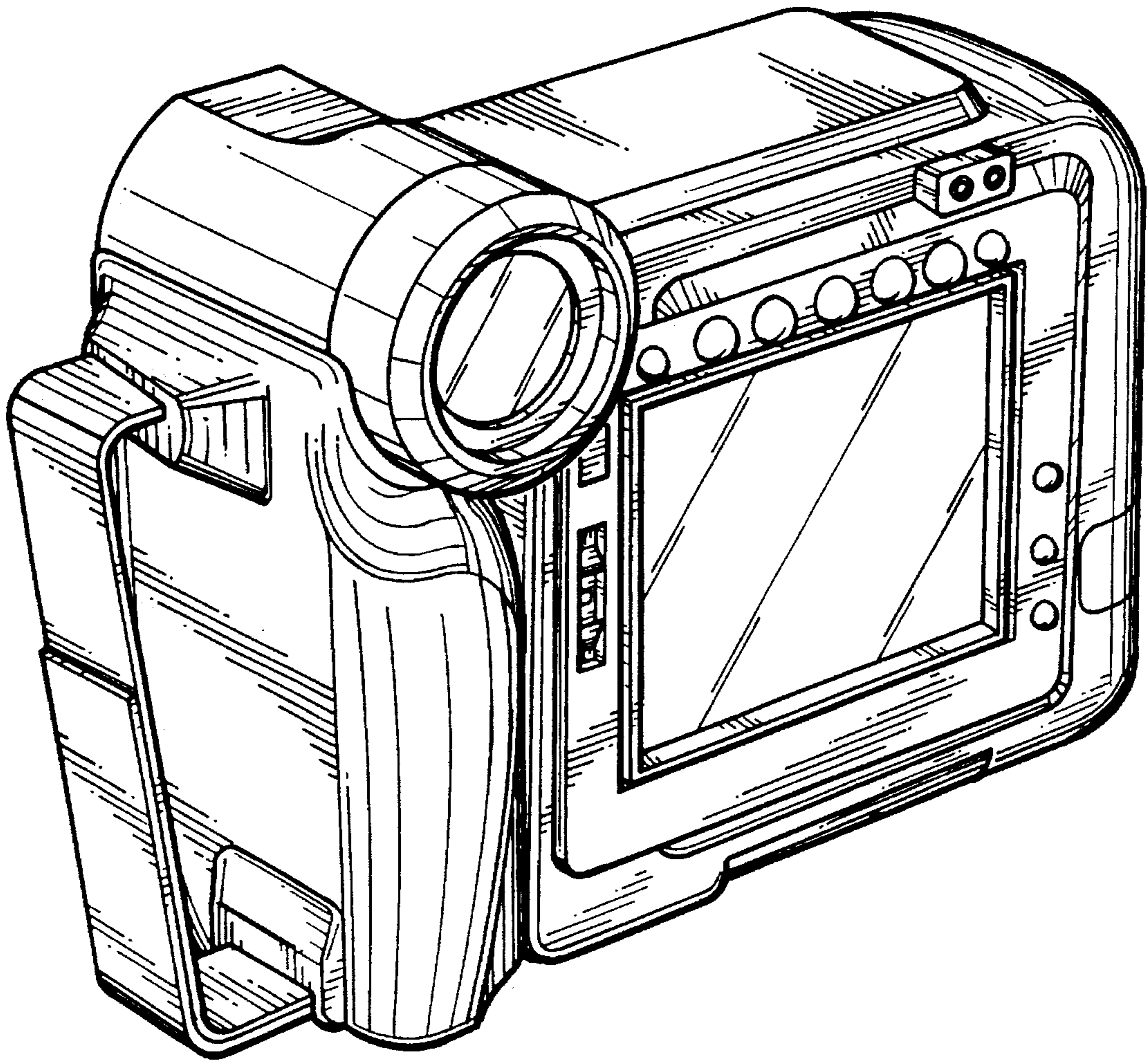


FIG. 9