



US00D365114S

# United States Patent [19] Walker

[11] Patent Number: **Des. 365,114**

[45] Date of Patent: **\*\*Dec. 12, 1995**

[54] **WELDING JIG**  
[76] Inventor: **Robert B. Walker**, 5340 Harrison Rd.,  
Paradise, Calif. 95969

[\*\*] Term: **14 Years**

[21] Appl. No.: **31,839**

[22] Filed: **Dec. 7, 1994**

[52] U.S. Cl. .... **D15/140**

[58] **Field of Search** ..... D8/71; D10/64,  
D10/65, 70; D15/140, 141; D25/122; 29/33 K,  
33 D, 33 S, 33 T, 272, 282, 281.1, 402,  
728, 784, 795, 869; 72/52, 284; 156/304.6;  
219/87, 91.2, 103, 121.63, 124.34, 137 R,  
161, 242, 521, 524, 535; 228/6.1, 17, 17.5,  
32, 44.3, 44.7, 45, 47.1, 49.2, 49.3, 49.6,  
119, 169, 189, 173.8, 165, 170, 148; 269/41,  
42, 43, 70, 73, 132, 266, 289 R; 285/41,  
24, 27

[56] **References Cited**

**U.S. PATENT DOCUMENTS**

1,071,289 8/1913 Bader ..... 269/902 X

2,461,783 2/1949 Stark ..... 269/43 X  
2,478,684 8/1949 Brooks ..... 269/43 X  
3,942,779 3/1976 Bourdo ..... 269/41  
5,395,101 3/1995 Takimoto et al. .... 269/902 X

**FOREIGN PATENT DOCUMENTS**

1256146 2/1960 France ..... 269/902

*Primary Examiner*—Antoine Duval Davis

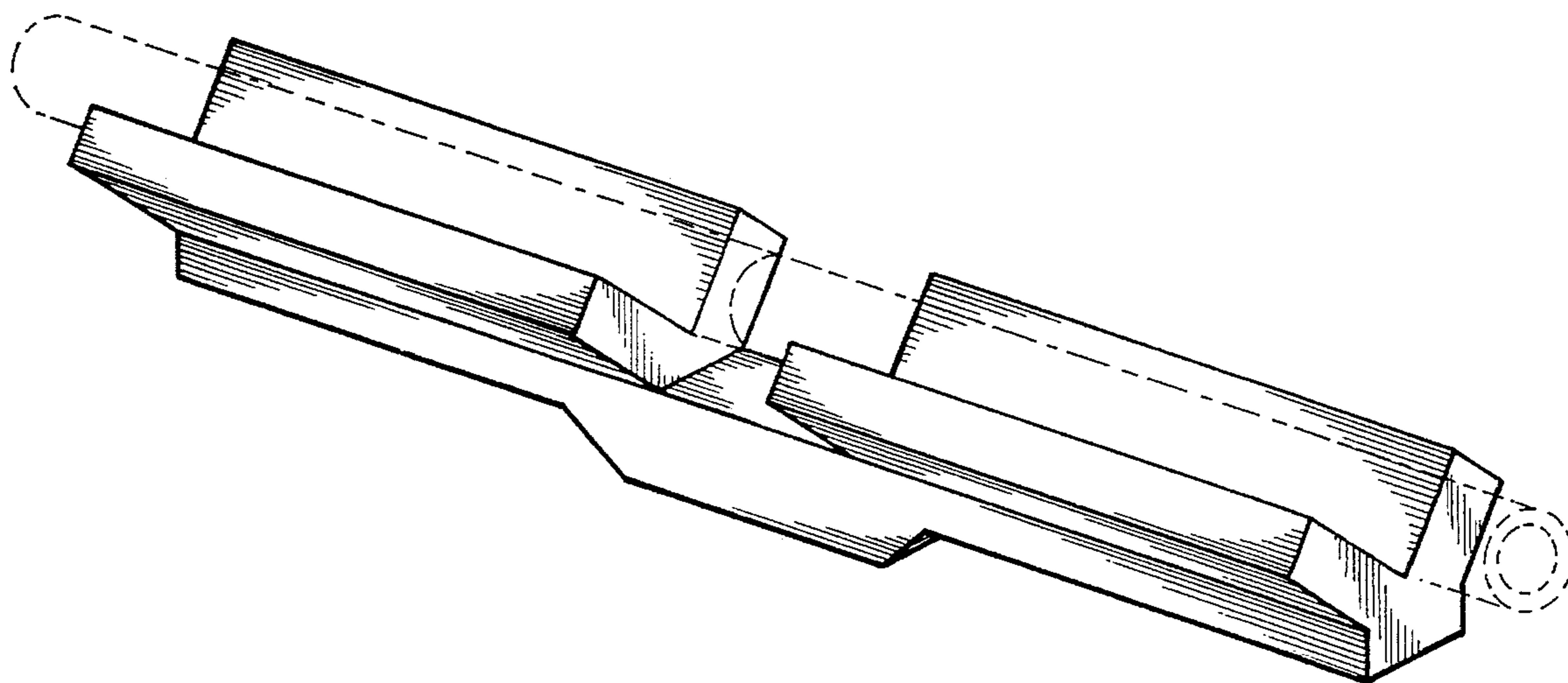
[57] **CLAIM**

The ornamental design for a welding jig, as shown and described.

**DESCRIPTION**

FIG. 1 is a front elevational view of a welding jig showing my new design;  
FIG. 2 is a top plan view thereof;  
FIG. 3 is a bottom plan view thereof;  
FIG. 4 is a right end elevational view thereof; and,  
FIG. 5 is a perspective top view thereof, with the dotted lines representing two sections of pipe aligned by the welding jig. The broken lines shown in FIG. 5 are for illustrative purposes only and form no part of the claimed design.

**1 Claim, 5 Drawing Sheets**



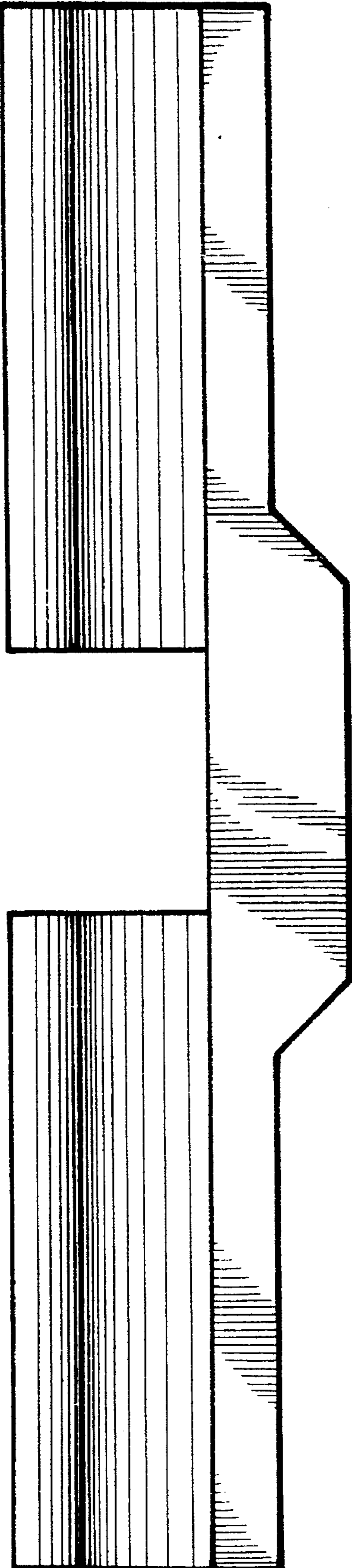


FIG. 1

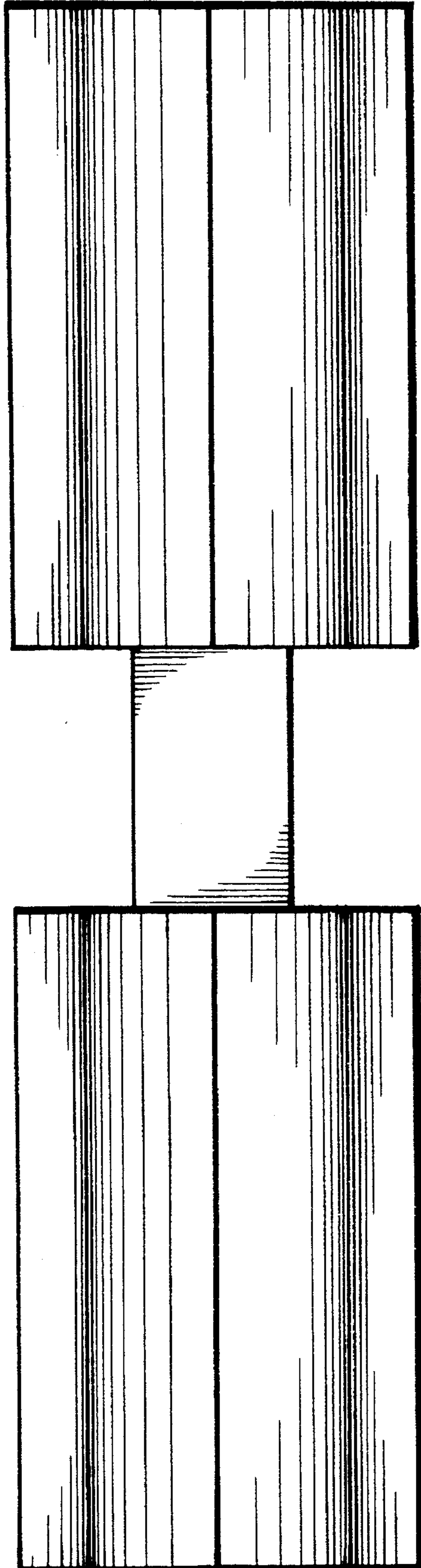


FIG. 2

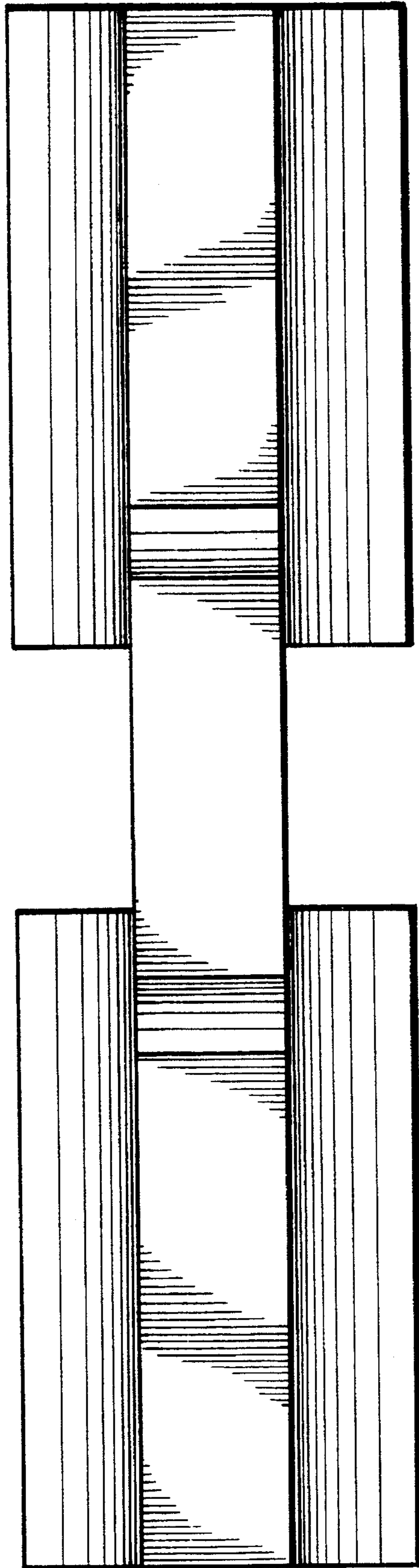


FIG. 3

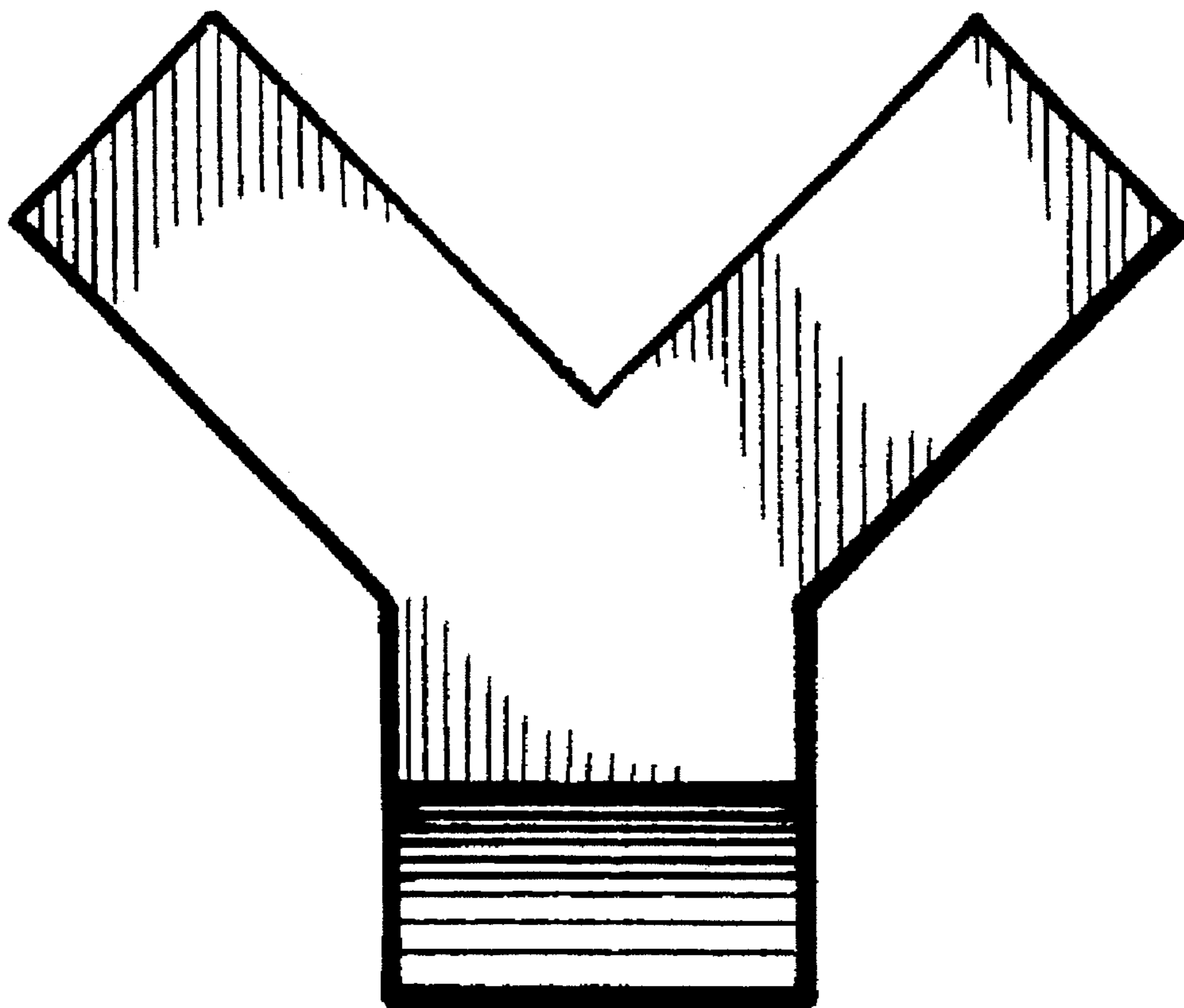


FIG. 4

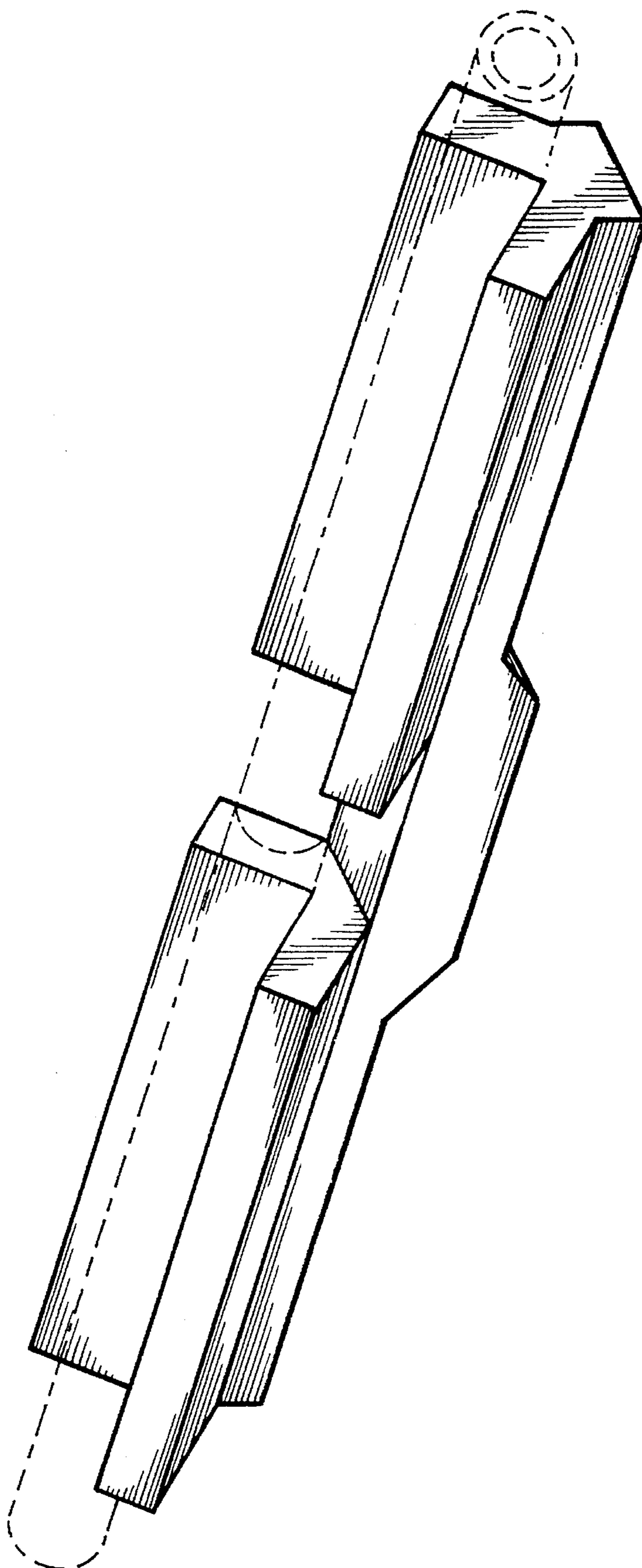


FIG. 5