



US00D365113S

United States Patent [19]

[11] Patent Number: **Des. 365,113**

Ronan

[45] Date of Patent: ****Dec. 12, 1995**

[54] **REMOVABLE DRILL CHUCK WITH SLEEVE ATTACHMENT**

4,525,111	6/1985	Gutsche	279/43 X
4,594,036	6/1986	Hogehout	408/240
4,663,999	5/1987	Colvin	279/65 X

[76] Inventor: **John S. Ronan**, 987 Commonwealth Ave., San Jacinto, Calif. 92583

OTHER PUBLICATIONS

[**] Term: **14 Years**

Universal Houdaille; Collets/Collets Chucks; Sep. 1984; p. 59.

[21] Appl. No.: **25,571**

Primary Examiner—Alan P. Douglas
Assistant Examiner—Antoine D. Davis
Attorney, Agent, or Firm—F. Eugene Logan

[22] Filed: **Jul. 5, 1994**

[52] U.S. Cl. **D15/140**

[58] Field of Search D15/138, 139, D15/140; D23/259, 262, 266; D25/126; 173/29, 48, 93; 279/36, 19.3, 19.6, 37, 40, 42, 43, 45, 48, 49, 52, 56, 57, 59, 60-65, 69-71, 74, 78, 80-82, 101, 142, 147, 901, 902, 904, 905; 408/239 R, 240

[57] CLAIM

The ornamental design for a removable drill chuck with sleeve attachment, as shown and described.

[56] References Cited

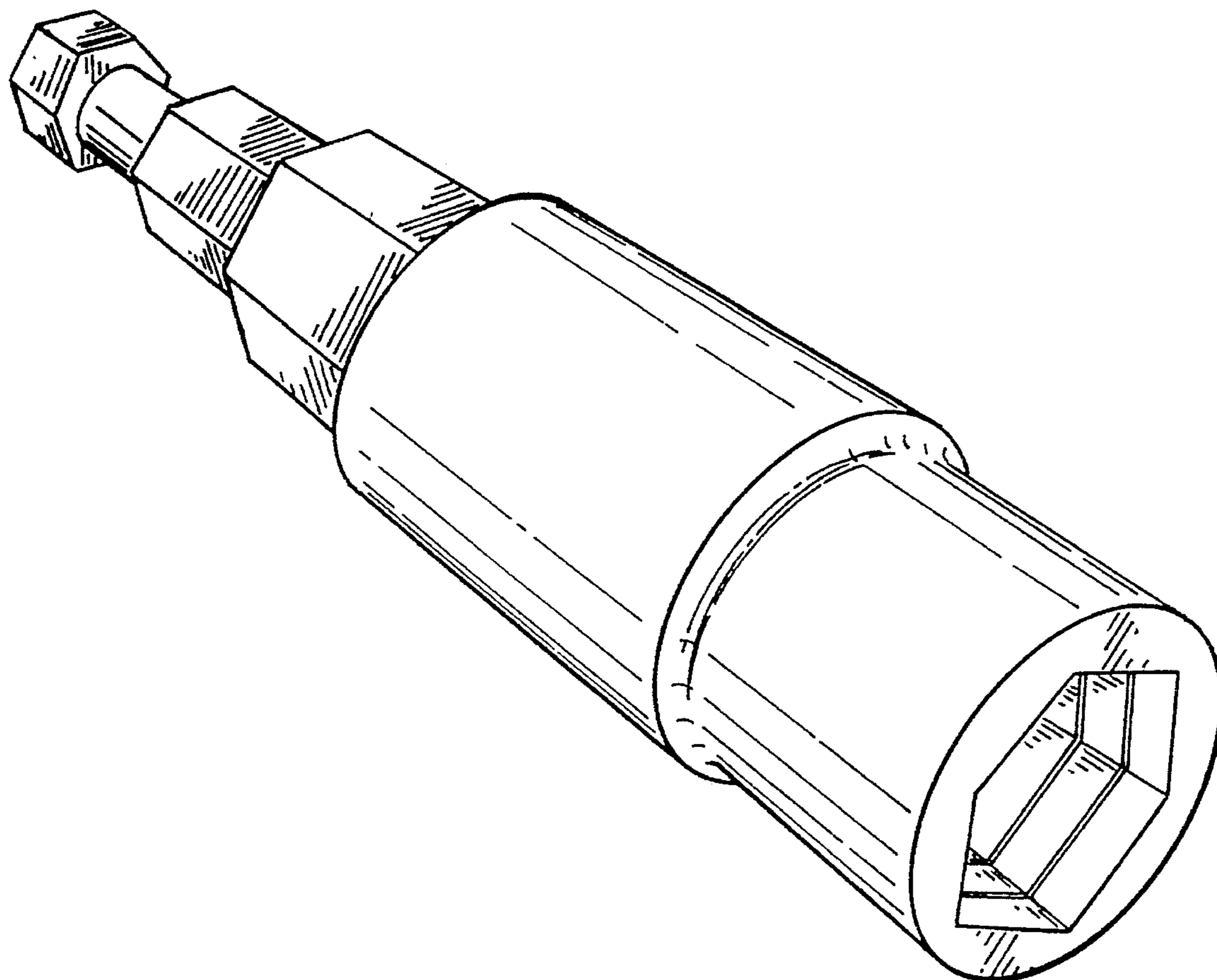
U.S. PATENT DOCUMENTS

D. 333,511	2/1993	Mikiya et al.	D23/262
D. 350,887	9/1994	Sjolander et al.	D8/70
2,337,031	12/1943	Curtis	279/19.3
2,714,515	8/1955	Faso	408/239 X
2,784,975	3/1957	Dewar	279/37
3,712,753	1/1973	Manzi	408/239 X

DESCRIPTION

FIG. 1 is an enlarged front perspective view of a removable drill chuck with sleeve attachment showing my new design; FIG. 2 is a top plan view thereof, the bottom plan view being a mirror image of that shown; FIG. 3 is a rear elevational view thereof; FIG. 4 is a front elevational view thereof; and, FIG. 5 is a left side elevational view thereof, the right side elevational view being a mirror image of that shown.

1 Claim, 2 Drawing Sheets



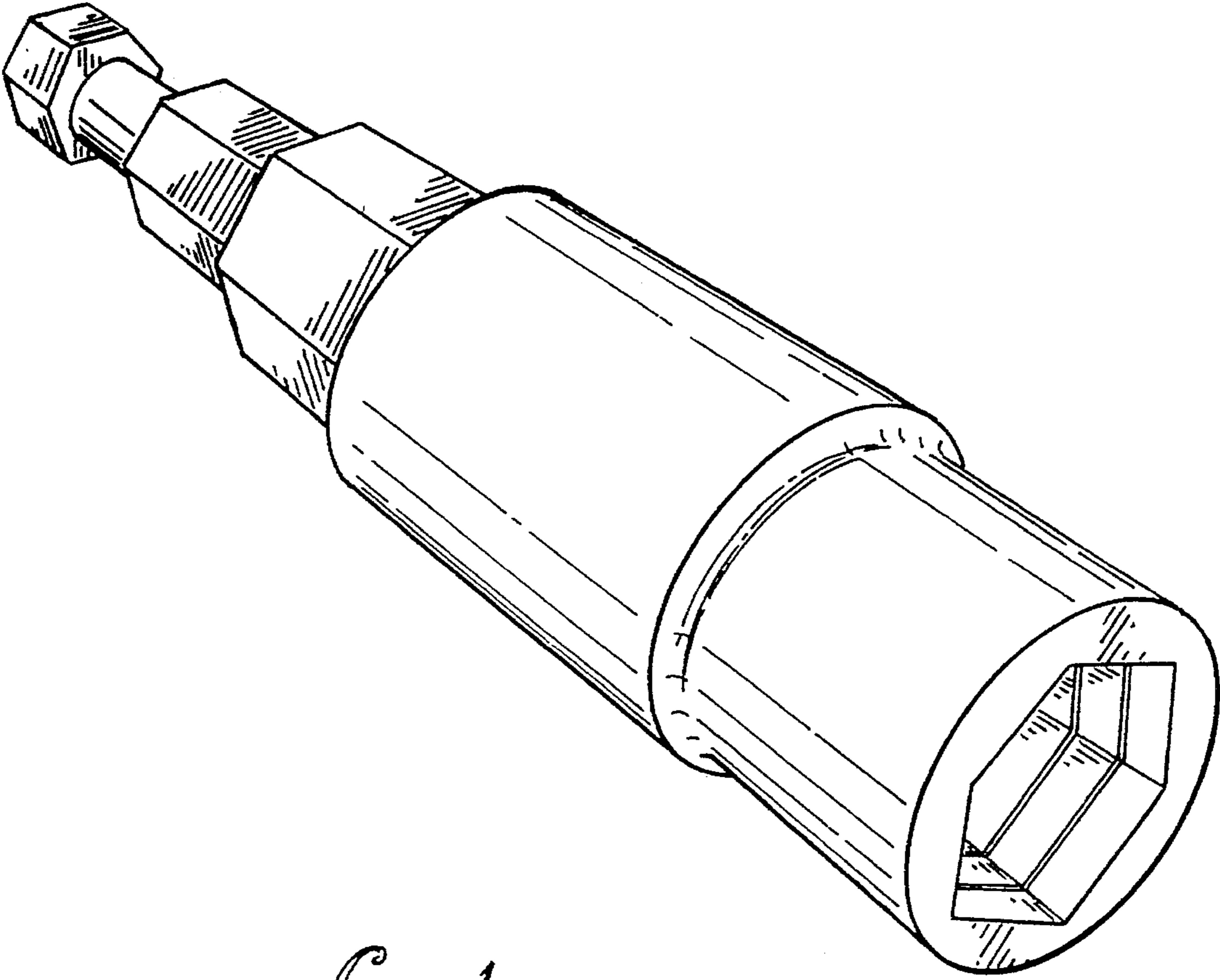


Fig. 1.

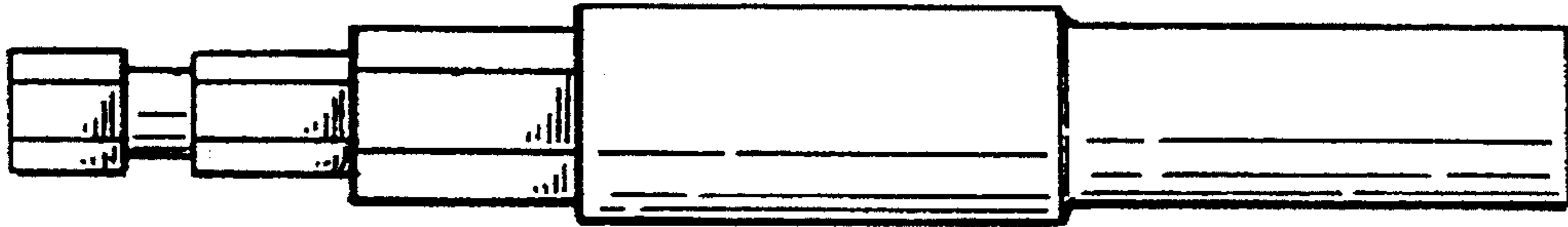


fig. 2.

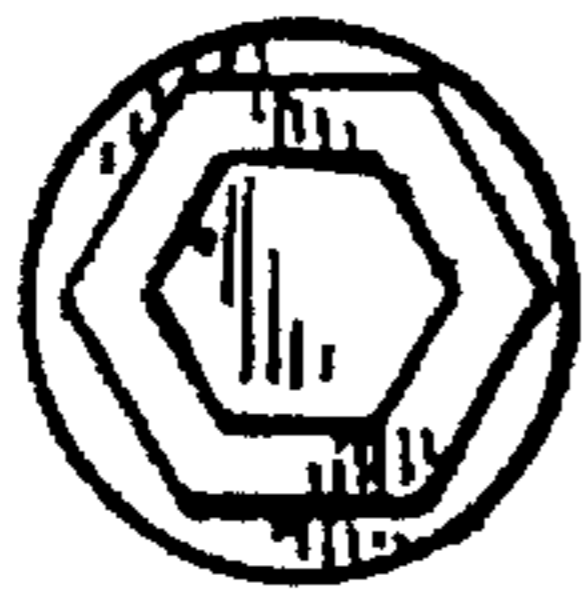


fig. 3.

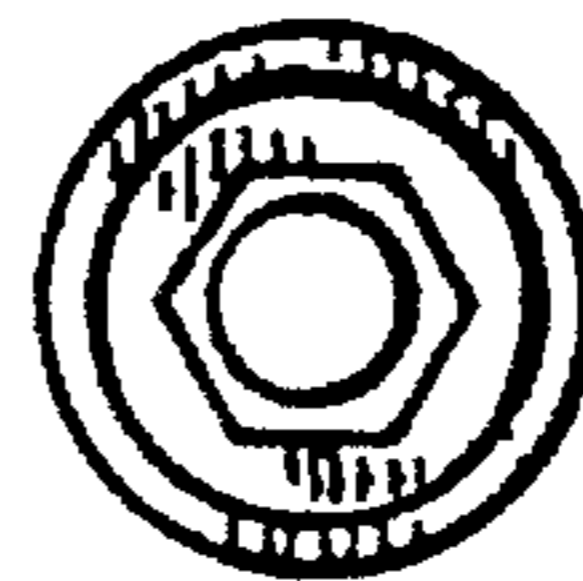


fig. 4.

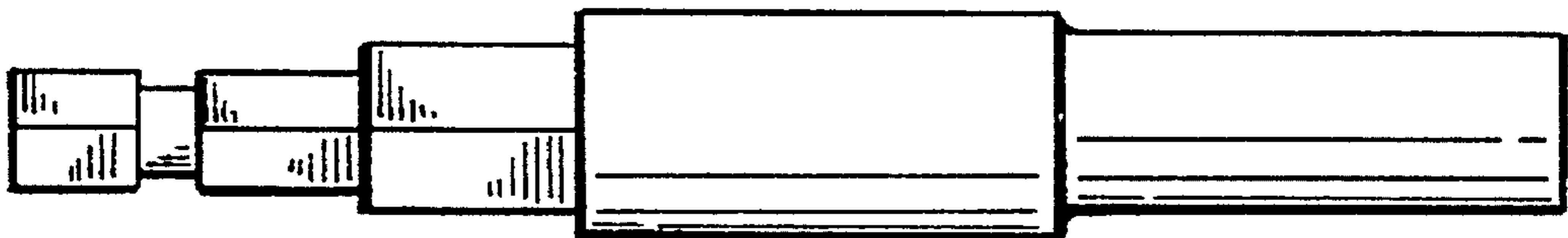


fig. 5.