



US00D365109S

# United States Patent [19]

[11] Patent Number: **Des. 365,109**

**Robinson et al.**

[45] Date of Patent: **\*\*Dec. 12, 1995**

[54] **MINING SHOVEL TOOTH**

[75] Inventors: **Howard W. Robinson**, Grapevine;  
**Wesley E. Martin; John A. Ruvang**,  
both of Carrollton, all of Tex.

[73] Assignee: **GH Hensley Industries**, Dallas, Tex.

[\*\*] Term: **14 Years**

[21] Appl. No.: **3,272**

[22] Filed: **Jan. 5, 1993**

[52] U.S. Cl. .... **D15/29**

[58] Field of Search ..... **D15/10, 22-26,**  
**D15/28-29, 32; 37/452-458**

2,213,925	9/1940	Van Buskirk .....	37/453
3,225,467	12/1965	Troeppf .....	37/452
3,444,633	5/1969	Hensley .....	37/452
3,959,901	6/1976	Klett .....	37/452
4,321,762	3/1982	Hemphill .....	37/452
4,360,981	1/1982	Bierwith et al. ....	37/457
4,965,945	10/1990	Emrich .....	37/456
5,188,680	11/1990	Hahn et al. ....	37/452

*Primary Examiner*—Sandra L. Morris  
*Attorney, Agent, or Firm*—Konneker & Bush

## [57] CLAIM

The ornamental design for a mining shovel tooth, as shown and described.

## DESCRIPTION

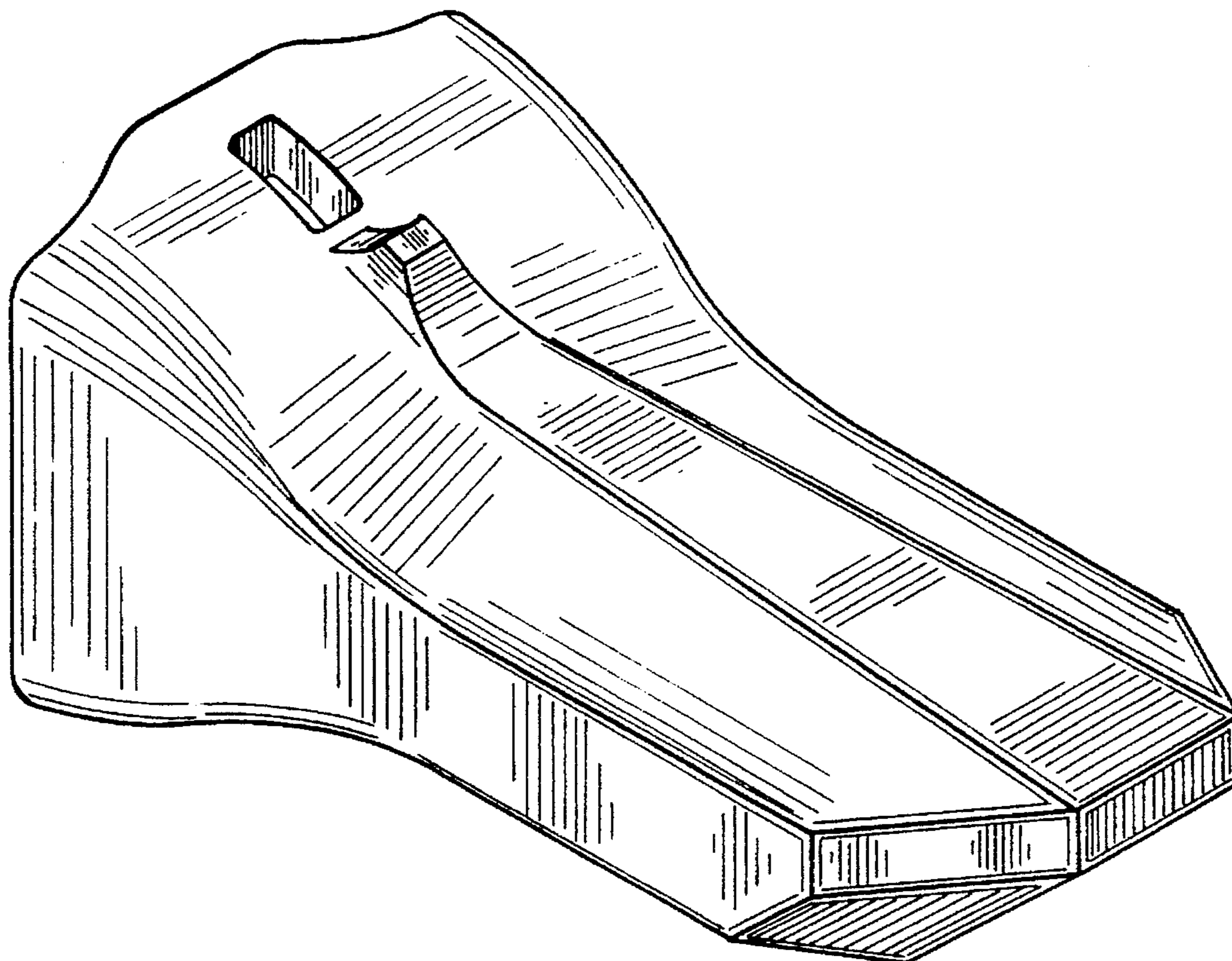
FIG. 1 is a front perspective view of the mining shovel tooth; FIG. 2 is a front end elevational view thereof; FIG. 3 is a right side elevational view thereof, which is a mirror image of the left side elevational view thereof; FIG. 4 is a rear end elevational view thereof; FIG. 5 is a top plan view thereof, and, FIG. 6 is a bottom plan view thereof.

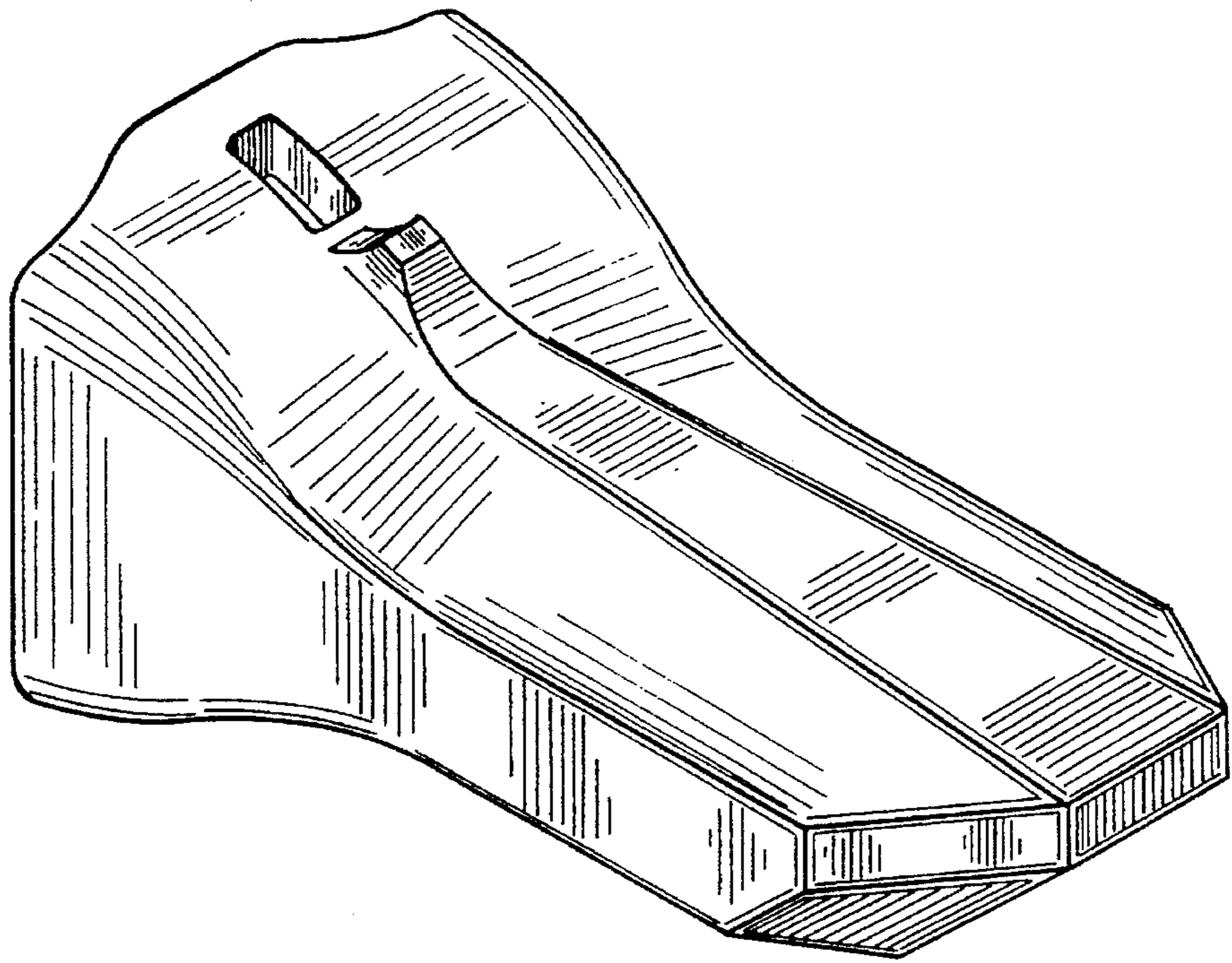
**1 Claim, 2 Drawing Sheets**

## [56] References Cited

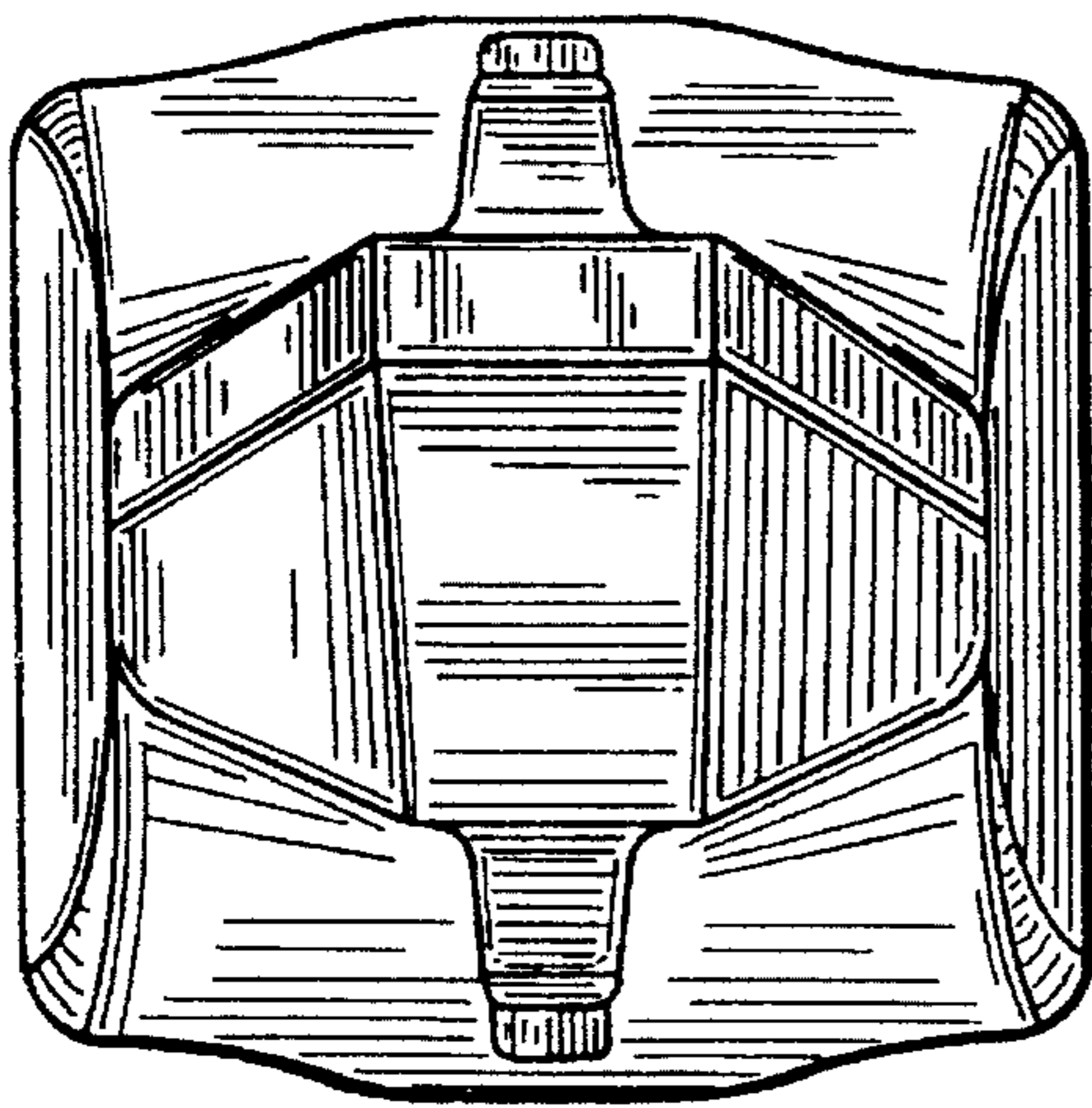
### U.S. PATENT DOCUMENTS

D. 194,508	2/1963	Cain .....	D15/29
D. 200,722	3/1965	Wilson .....	D15/29
D. 228,781	10/1973	Bierwith .....	D15/29
D. 255,119	5/1980	Korpi .....	D15/29
D. 296,442	6/1988	Broomhall .....	D15/29
D. 328,466	8/1992	Robinson .....	D15/29
D. 329,243	9/1992	Robinson .....	D15/29

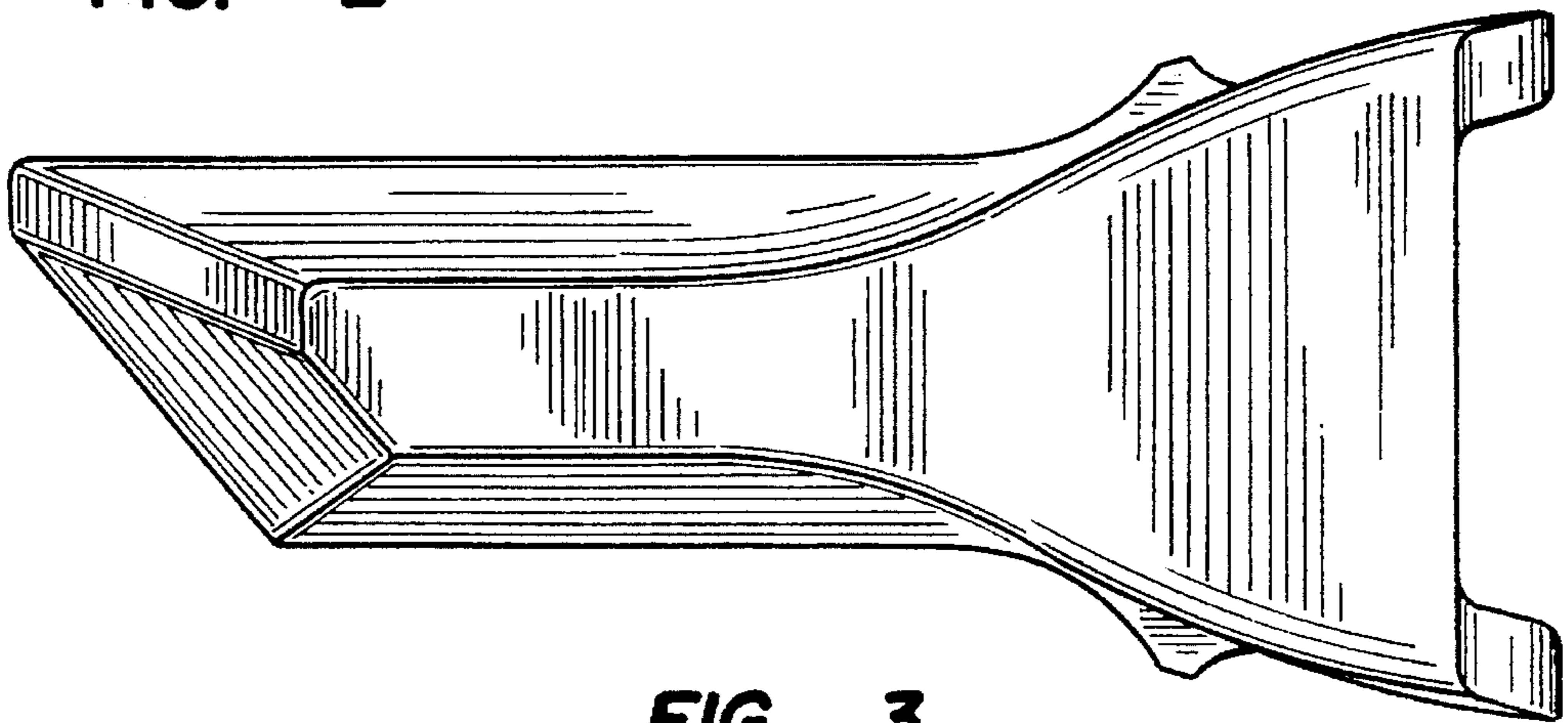




**FIG. 1**



**FIG. 2**



**FIG. 3**

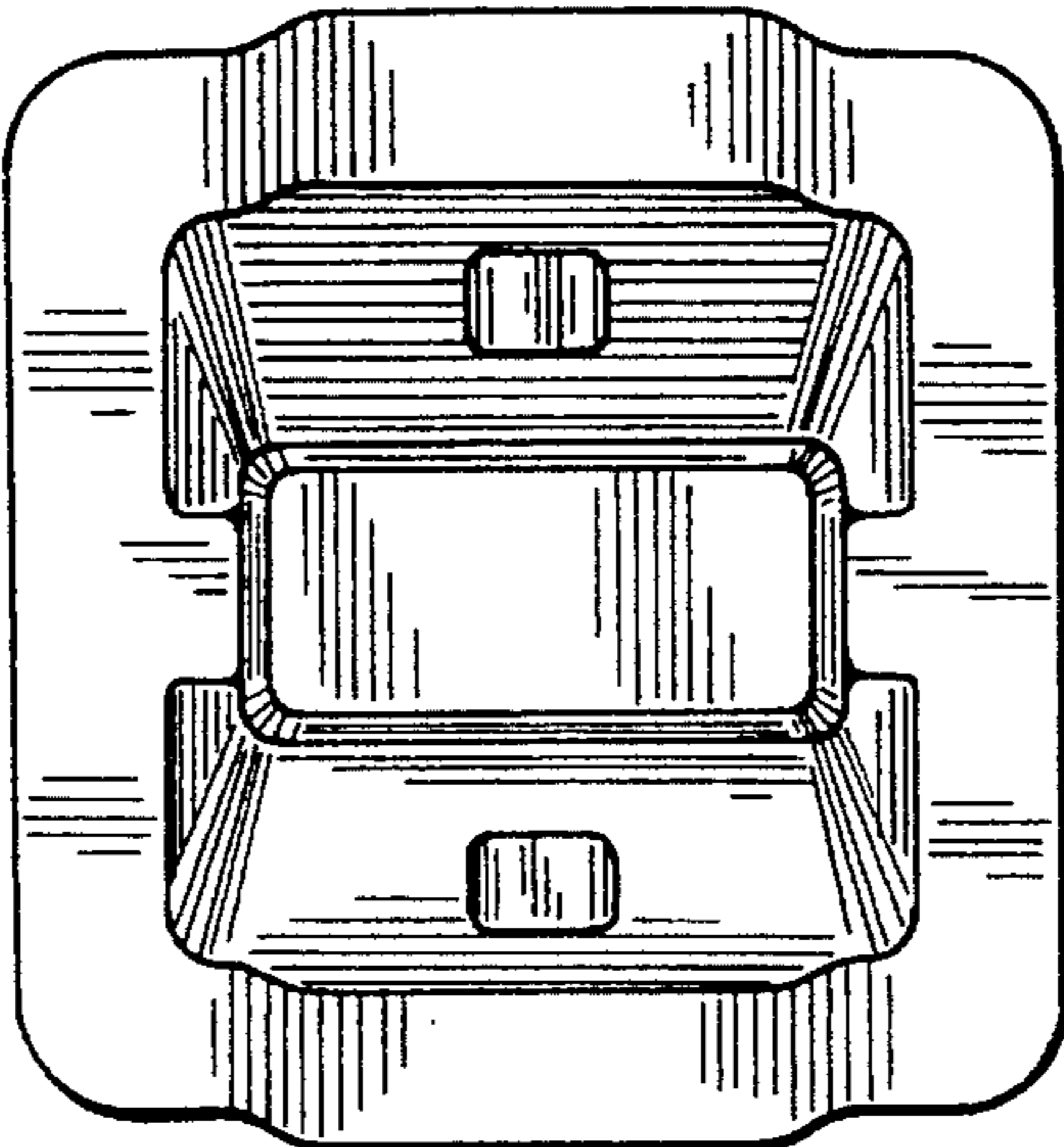


FIG. 4

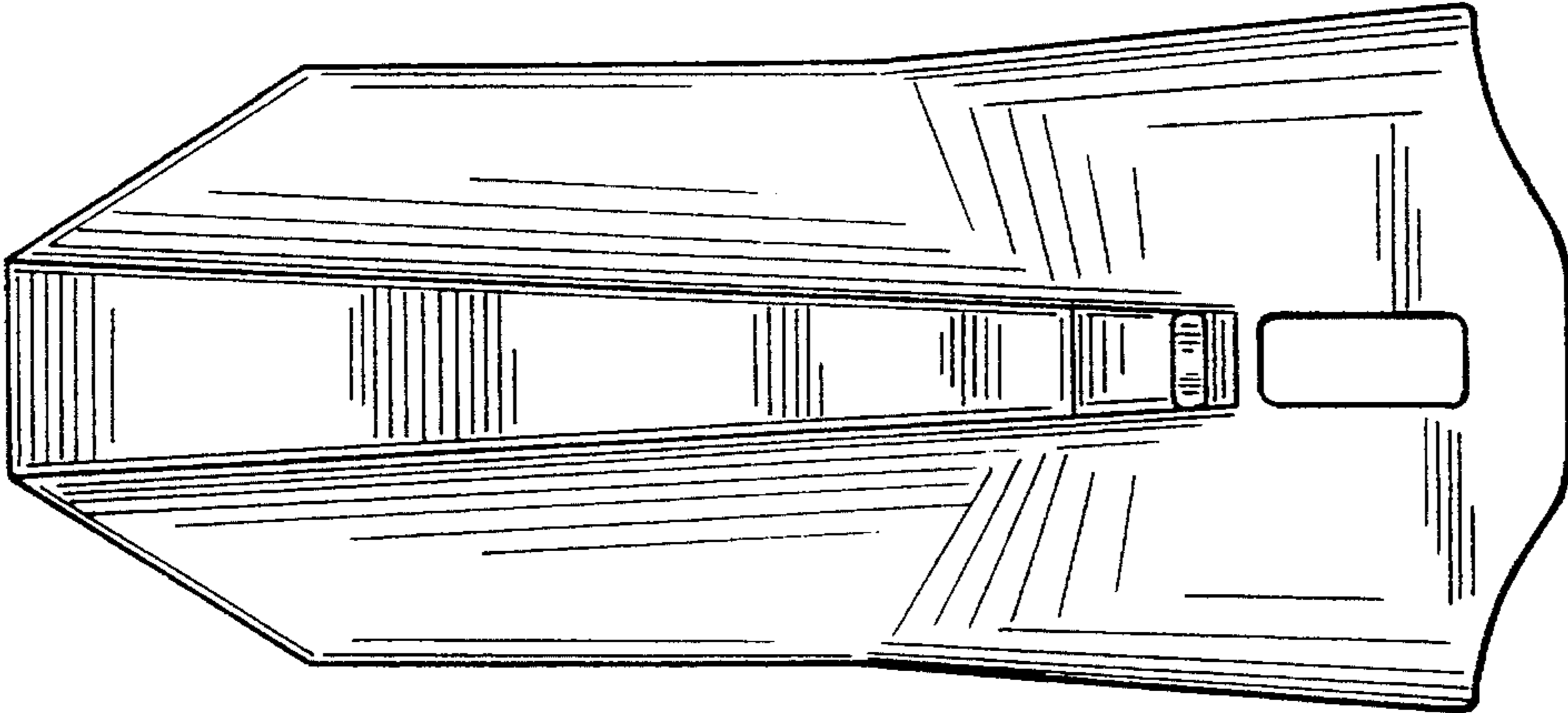


FIG. 5

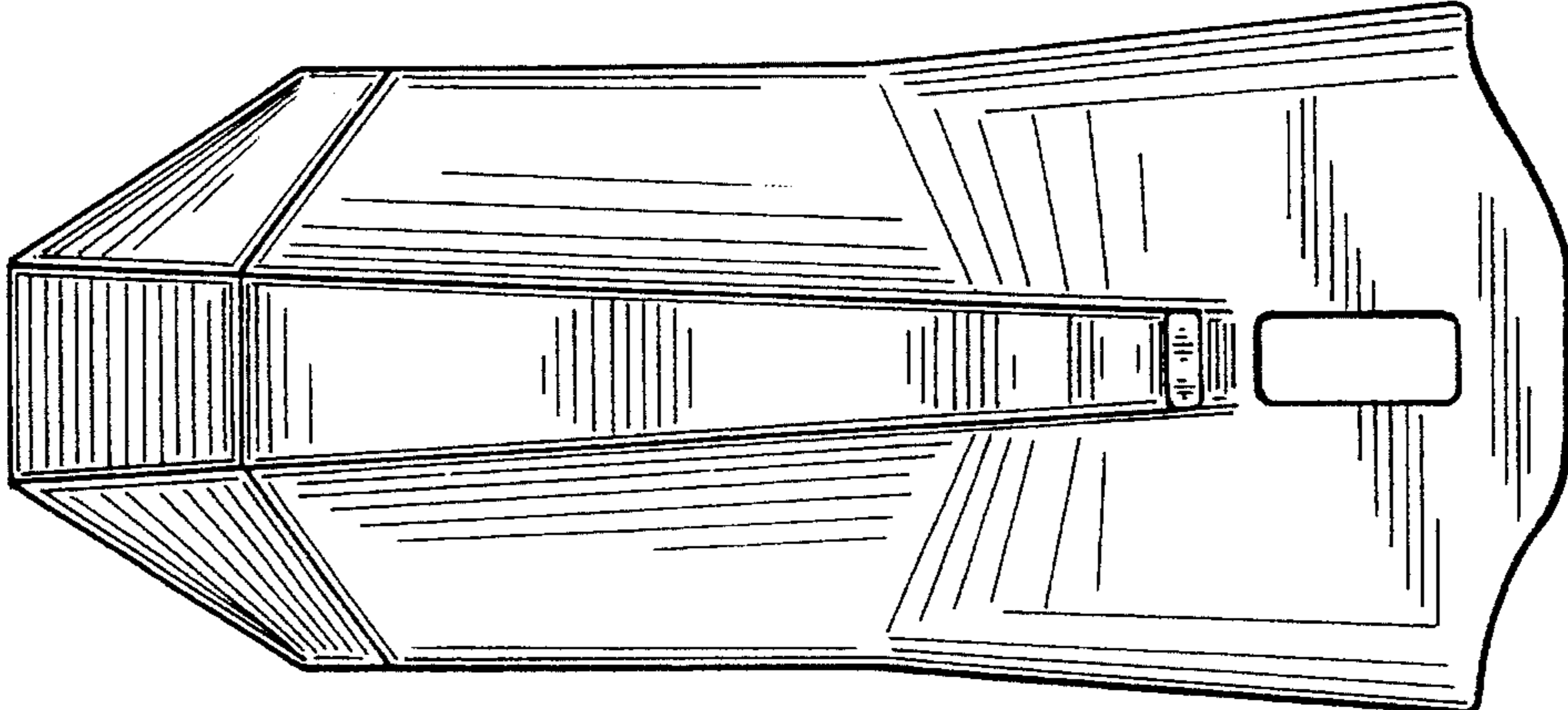


FIG. 6