



US00D365108S

United States Patent [19]

[11] Patent Number: **Des. 365,108**

Derganc

[45] Date of Patent: ****Dec. 12, 1995**

[54] **PRODUCE PICKING CART**

Solutions Catalog, p. 6 "Scoot-n-Do" top.

[76] Inventor: **Robert D. Derganc**, Rte. 1, Box 906,
Harviell, Mo. 63945

Primary Examiner—Sandra L. Morris
Attorney, Agent, or Firm—Middleton & Reutlinger; David
W. Carrithers

[**] Term: **14 Years**

[21] Appl. No.: **25,937**

[57] **CLAIM**

[22] Filed: **Jul. 18, 1994**

The ornamental design for a produce picking cart, as shown
and described.

[52] U.S. Cl. **D15/10**

[58] Field of Search D15/10, 11, 12,
D15/13, 14, 15, 22, 23, 26; 180/89.1, 900;
280/32.5, 200, 651

DESCRIPTION

[56] **References Cited**

FIG. 1 is a perspective view of a produce picking cart made
in accordance with my design;

U.S. PATENT DOCUMENTS

3,037,570	6/1962	Olson	280/32.5
3,217,823	11/1965	Balthes	280/32.5
3,976,155	8/1976	Esch	280/32.5
4,397,374	8/1983	Rumage et al.	280/32.5
4,526,248	7/1985	Johansen	180/89.1
5,335,739	8/1994	Pieterse et al.	180/900

FIG. 2 is a side view, the opposite side being a mirror image
thereof;

FIG. 3 is a top plan view thereof;

FIG. 4 is a bottom plan view thereof;

FIG. 5 is a front end view thereof;

FIG. 6 is a rear end view thereof; and,

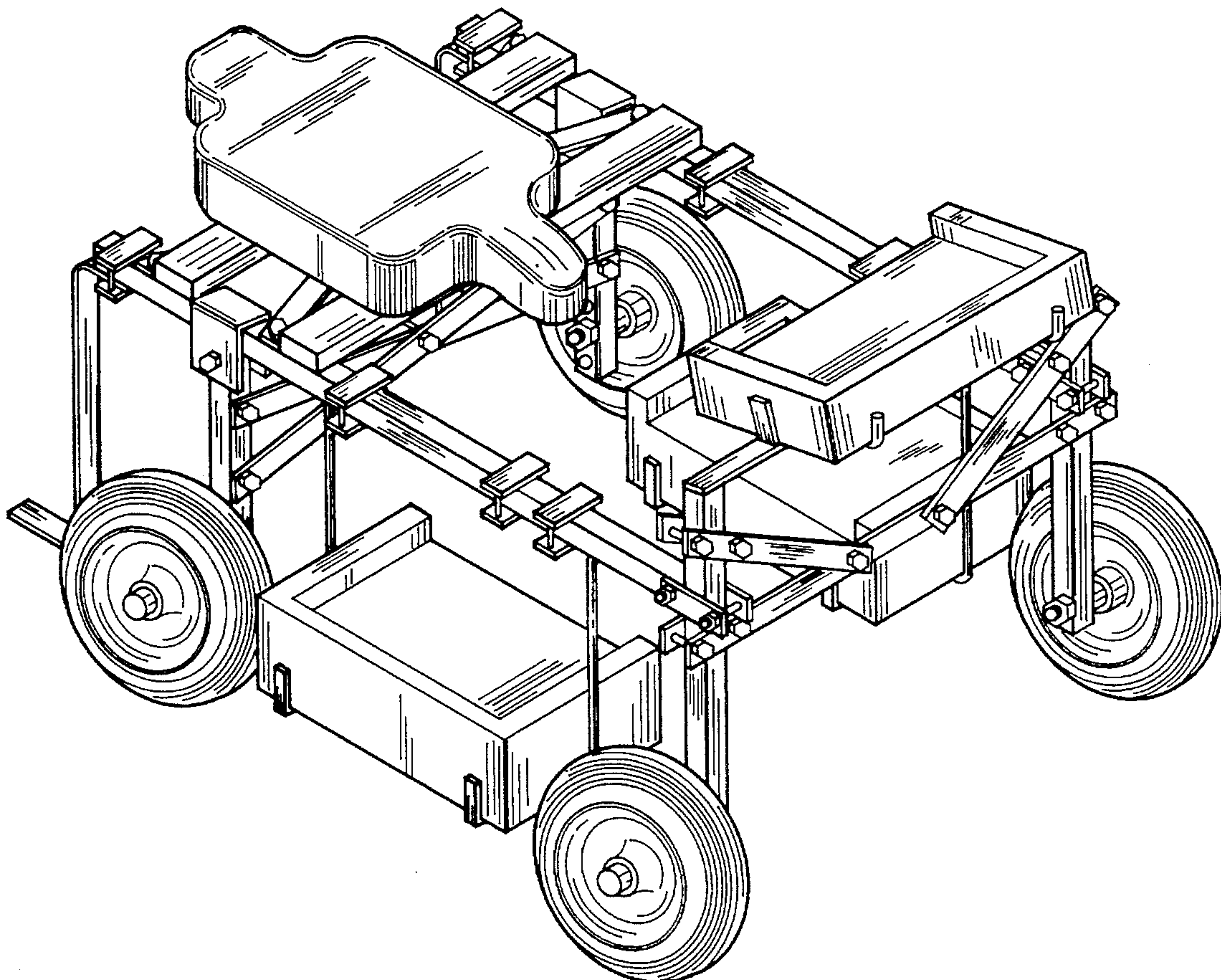
FIG. 7 is a side view showing the user in phantom view.

OTHER PUBLICATIONS

Implement & Tractor Aug. 1989 p. 27 "Little Wesley" Bean
Walker.

Successful Farming, Apr. 1991 p. 71 Crop Walker, top.

1 Claim, 3 Drawing Sheets



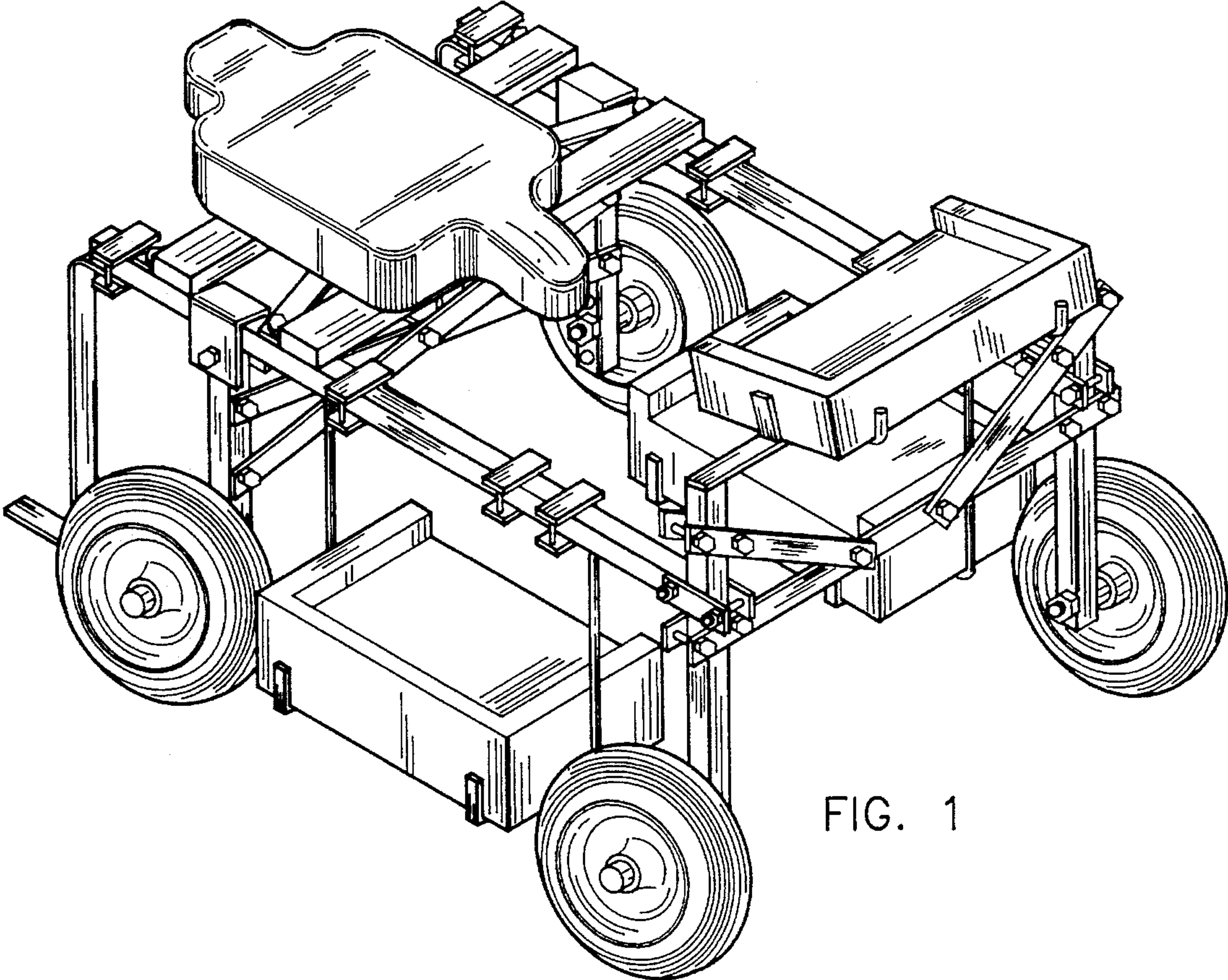


FIG. 1

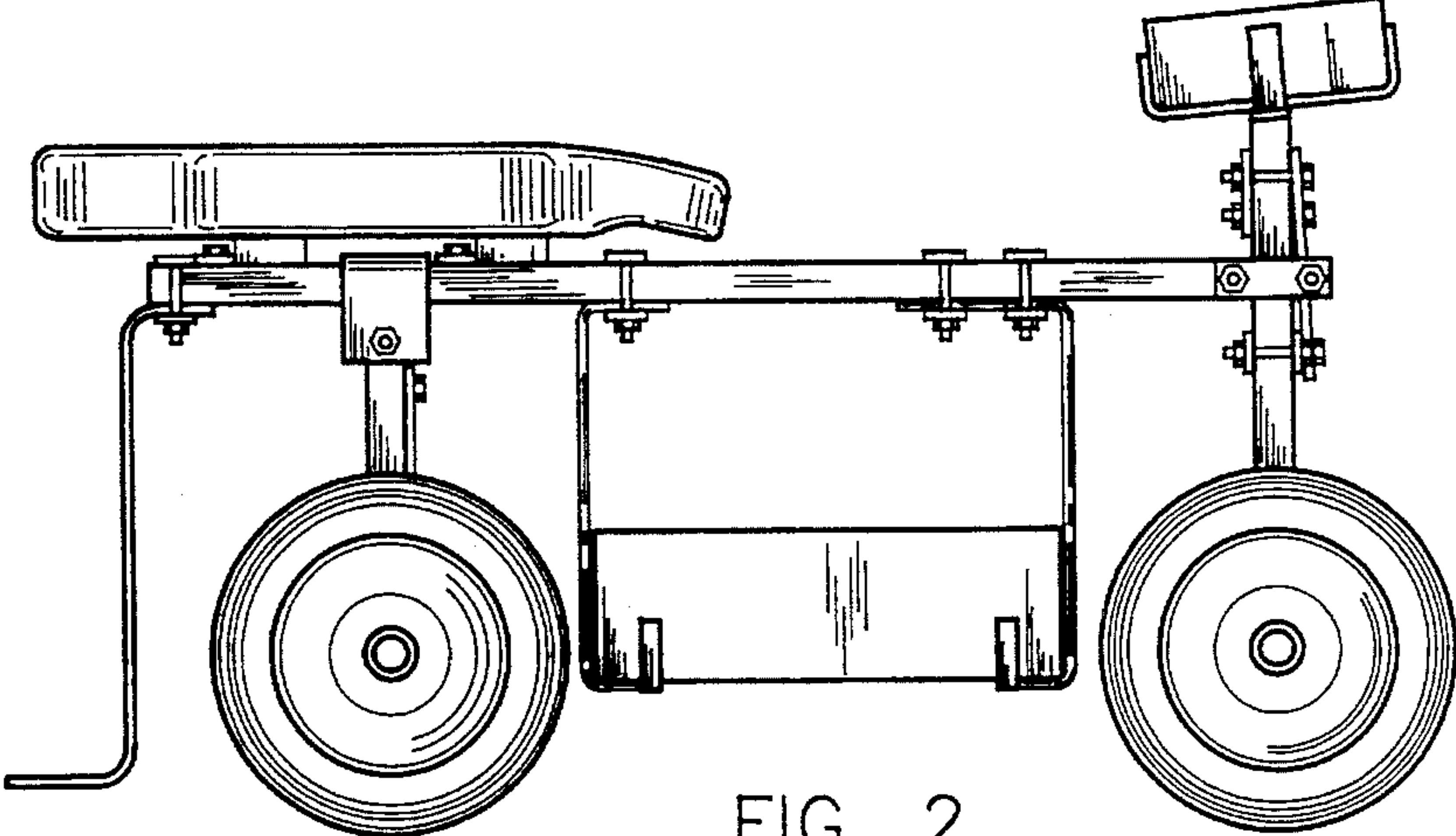


FIG. 2

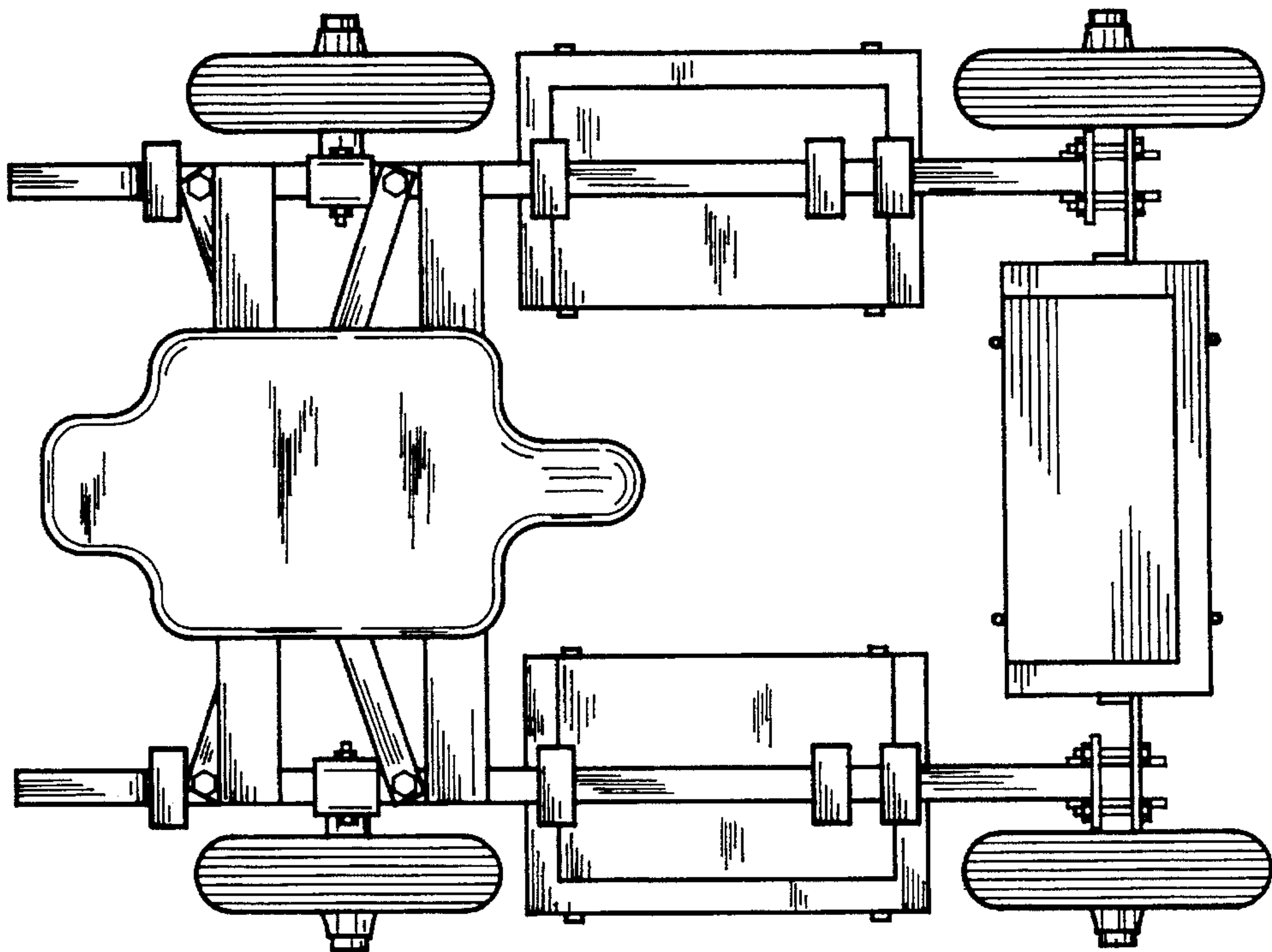


FIG. 3

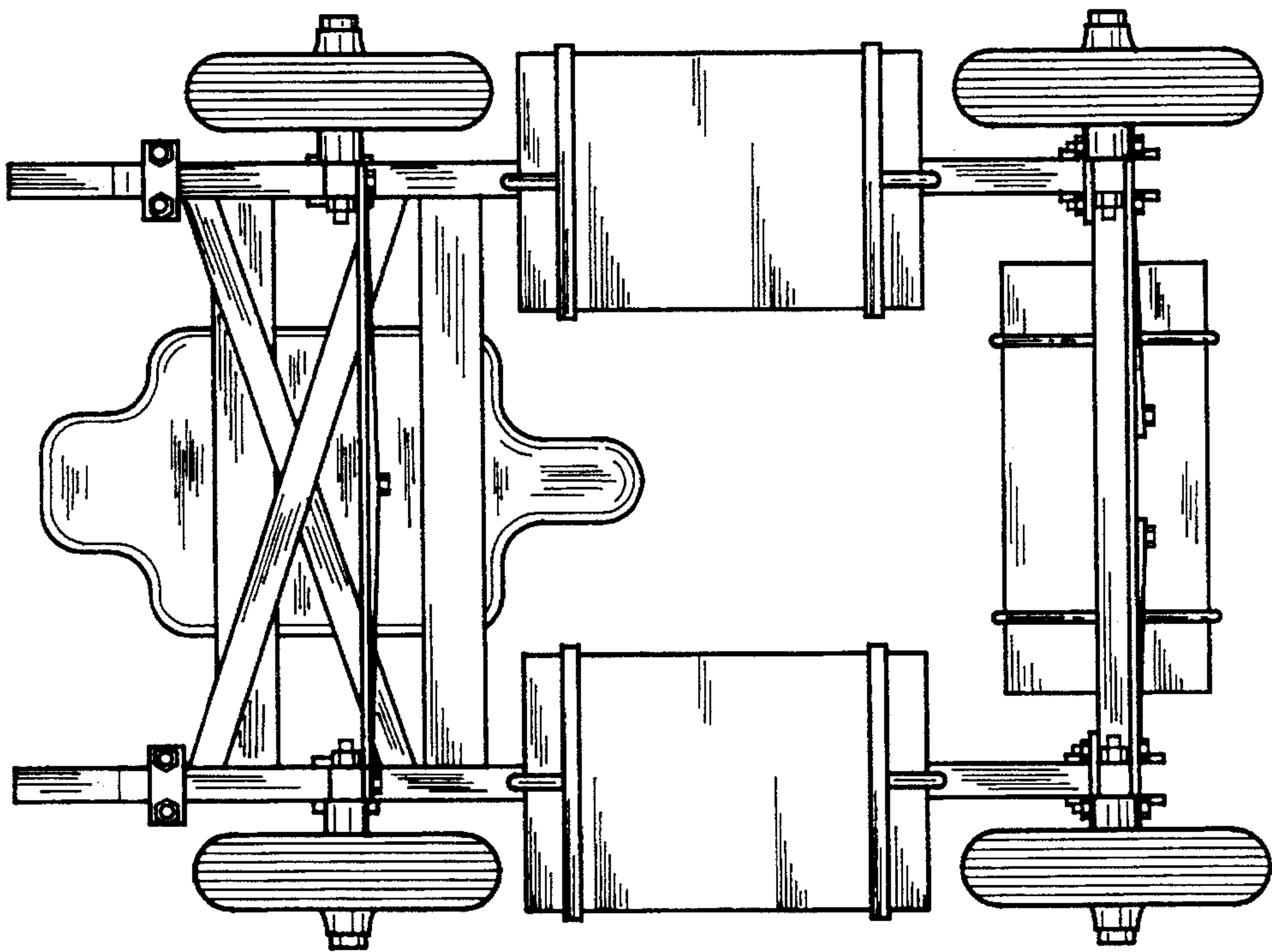


FIG. 4

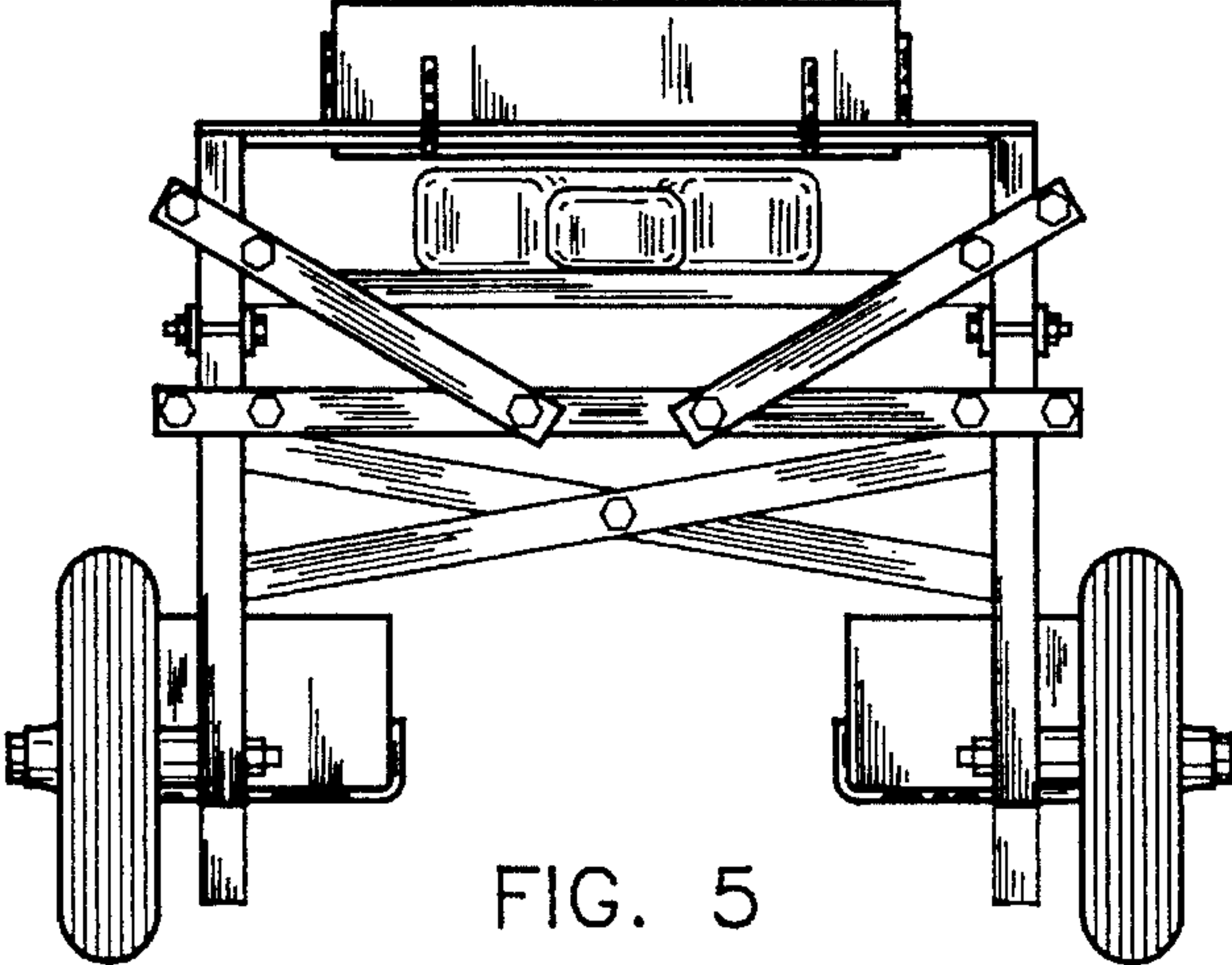


FIG. 5

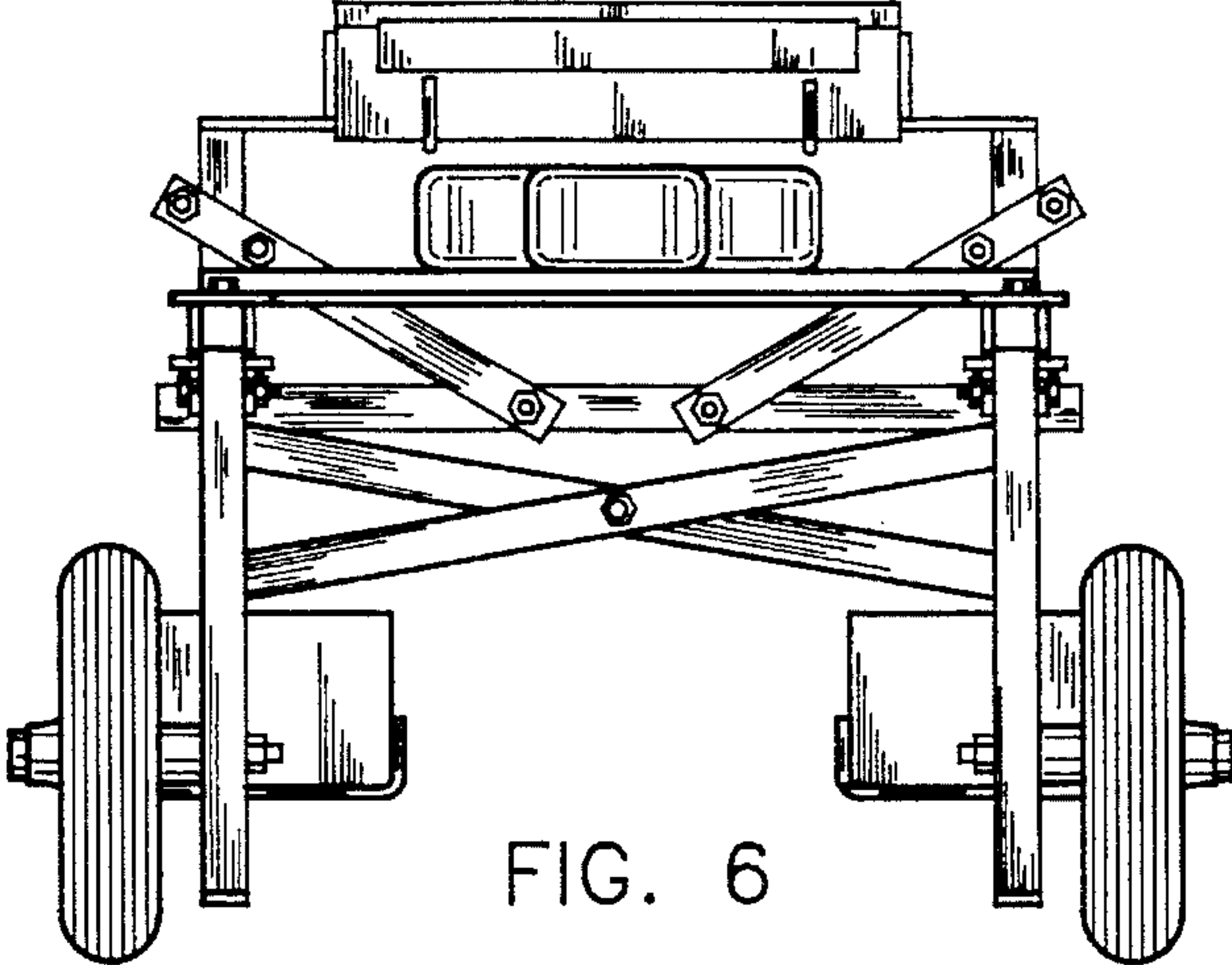


FIG. 6

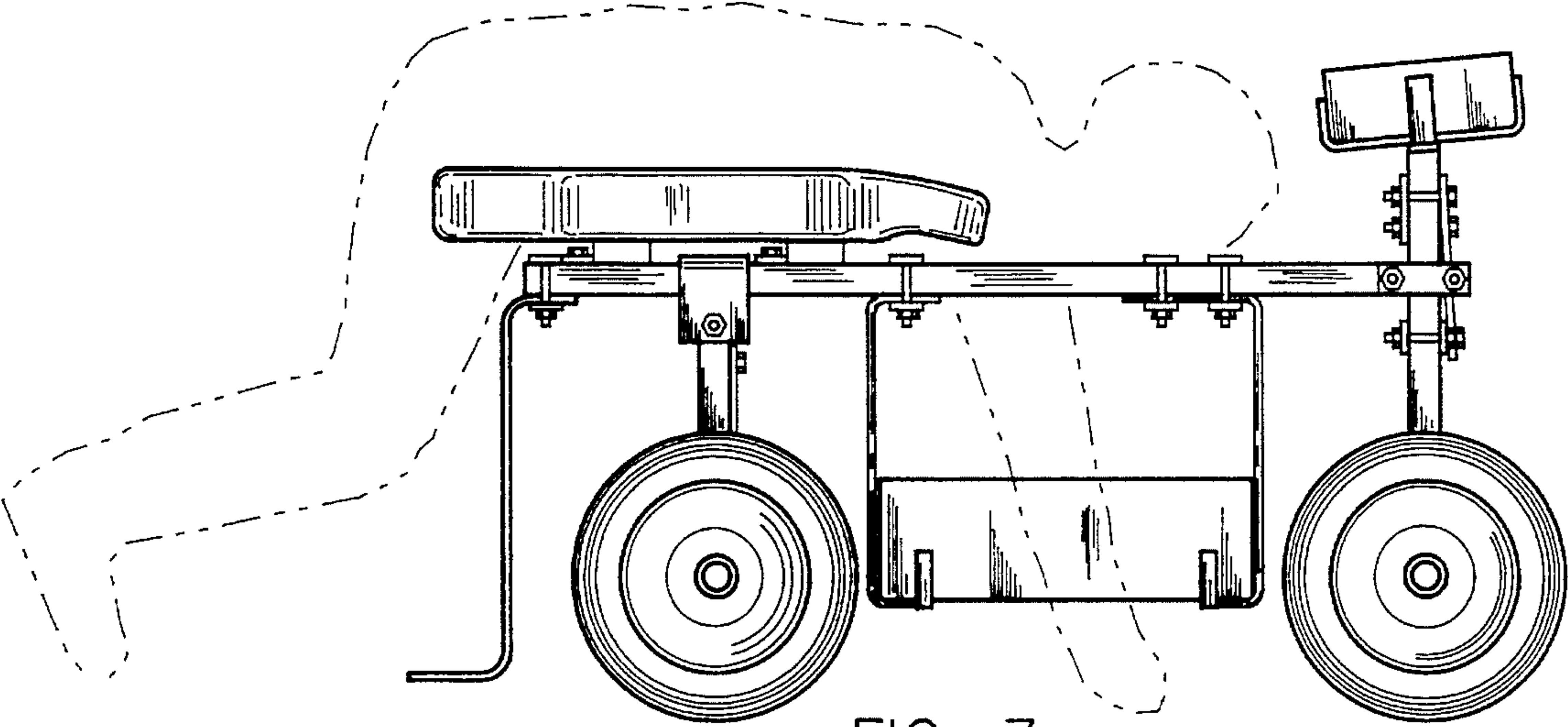


FIG. 7