



US00D365107S

**United States Patent** [19]  
**Ward**

[11] **Patent Number: Des. 365,107**  
[45] **Date of Patent: \*\*Dec. 12, 1995**

[54] **VACUUM PUMP**

[75] Inventor: **C. Barry Ward**, Plantation, Fla.

[73] Assignee: **Watsco Components, Inc.**, Hialeah, Fla.

[\*\*] Term: **14 Years**

[21] Appl. No.: **29,960**

[22] Filed: **Oct. 20, 1994**

[52] **U.S. Cl.** ..... **D15/7**

[58] **Field of Search** ..... **D15/7-9.2; 417/360, 417/68, 69, 423.1, 243.14, 223.15, 203, 372**

D. 327,075	6/1992	Tiedeman	.....	D15/7
D. 327,891	7/1992	Morgan	.	
D. 328,304	7/1992	Frohn et al.	.	
D. 328,305	7/1992	Wong	.	
D. 328,465	8/1992	Schwartz et al.	.	
D. 335,291	5/1993	Schnell	.	
D. 335,292	5/1993	Schnell	.	
D. 340,458	10/1993	Wang	.	
D. 340,727	10/1993	Wang	.....	D15/7
D. 357,687	4/1995	Jensen	.....	D15/7
845,114	2/1907	Palmer	.	

(List continued on next page.)

**OTHER PUBLICATIONS**

Watsco Components, Inc. Vacuum Pump Owner's Instruction Manual, dated Mar., 1994.

Ritchie Engineering Company, Inc. 1992 Preseason Catalog.

Robinair VacuMaster VacuumPump Catalog, dated Sep., 1991.

J/B Deep Vacuum Portable Pumps Catalog, DV-85 and 142 Series, Copyright 1993 J/B Industries Inc.

TIF 9100V Electronic Vacuum System Brochure, LS-220 Jun. 1992 Printed in U.S.A.

Refrigeration Service Engineers Society Publication entitled "Evacuation of a Refrigeration System," Copyright 1992.

*Primary Examiner*—Ralf Seifert  
*Attorney, Agent, or Firm*—Holland & Height

[56] **References Cited**

**U.S. PATENT DOCUMENTS**

Re. 18,251	5/1918	Wilson	.	
D. 22,846	10/1893	Kondo	.	
D. 91,804	10/1933	Cornelius et al.	.	
D. 94,687	2/1935	Halpern	.	
D. 118,852	2/1940	Ditch	.	
D. 122,458	9/1940	Eastman	.	
D. 122,459	7/1940	Eastman	.	
D. 131,875	3/1942	Houston	.	
D. 149,545	5/1948	Gamble et al.	.	
D. 174,901	6/1955	Gamble	.	
D. 177,701	5/1956	Sykes	.	
D. 194,722	2/1963	Umholtz	.	
D. 222,847	1/1972	Kondo	.	
D. 236,755	9/1975	Kondo	.	
D. 262,114	12/1981	Rowlands	.....	D15/7
D. 270,733	9/1983	Davis	.	
D. 273,958	5/1984	Mariol	.	
D. 280,993	10/1985	Mariol	.	
D. 281,609	12/1985	Herbst	.....	D15/9
D. 285,447	9/1986	Dudeck et al.	.	
D. 293,682	1/1988	Liou	.	
D. 294,266	2/1988	Dudeck et al.	.	
D. 294,396	2/1988	Steeve et al.	.....	D15/9
D. 295,180	4/1988	Kanno	.	
D. 301,247	5/1989	Prevosto	.	
D. 301,887	6/1989	Price et al.	.	
D. 303,532	9/1989	Gresens	.	
D. 306,448	3/1990	Lannoch	.	
D. 316,098	4/1991	Kille	.....	D15/7

[57] **CLAIM**

The ornamental design for a vacuum pump, as shown and described.

**DESCRIPTION**

FIG. 1 is a perspective view of a vacuum pump showing my new design;

FIG. 2 is a rear elevational view;

FIG. 3 is a top plan view;

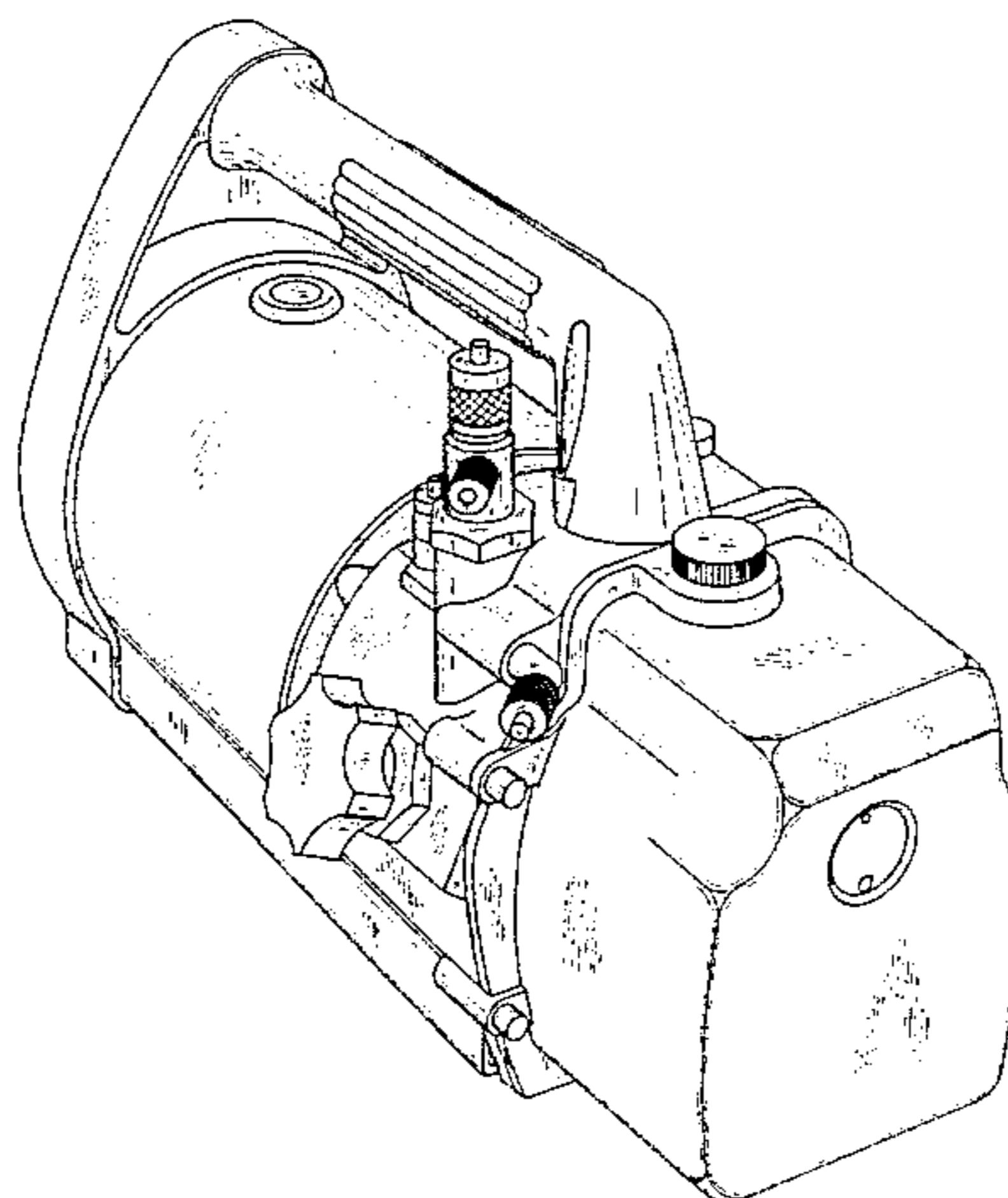
FIG. 4 is a side elevational view;

FIG. 5 is a side elevational view showing the side opposite FIG. 4;

FIG. 6 is a front elevational view; and,

FIG. 7 is a bottom plan view.

**1 Claim, 4 Drawing Sheets**



U.S. PATENT DOCUMENTS

1,023,820	4/1912	Dennison .	3,525,578	8/1970	Le Blanc, Jr. .
1,042,596	10/1912	Pearson .	3,791,780	2/1974	Fritch et al. .
1,451,859	3/1923	Balcker .	3,837,764	9/1974	Fritch et al. .
1,626,557	3/1927	Rolaff .	3,838,950	10/1974	Andriulis .
2,337,849	3/1939	Dubrovin .	3,982,864	9/1976	Cain .
2,588,430	3/1952	Svenson .	4,137,018	1/1979	Bracken .
2,851,989	9/1958	Rawson .	4,283,167	8/1981	Bassan et al. .
2,877,946	3/1959	Garrison et al. .	4,295,794	10/1981	Cain .
2,877,947	3/1959	Wessling et al. .	4,499,764	2/1985	Fiorina et al. .
3,121,528	2/1964	Rhodes .	4,523,897	6/1985	Lower et al. .
3,371,857	3/1968	Le Blanc, Jr. .	5,209,653	5/1993	Murray et al. .

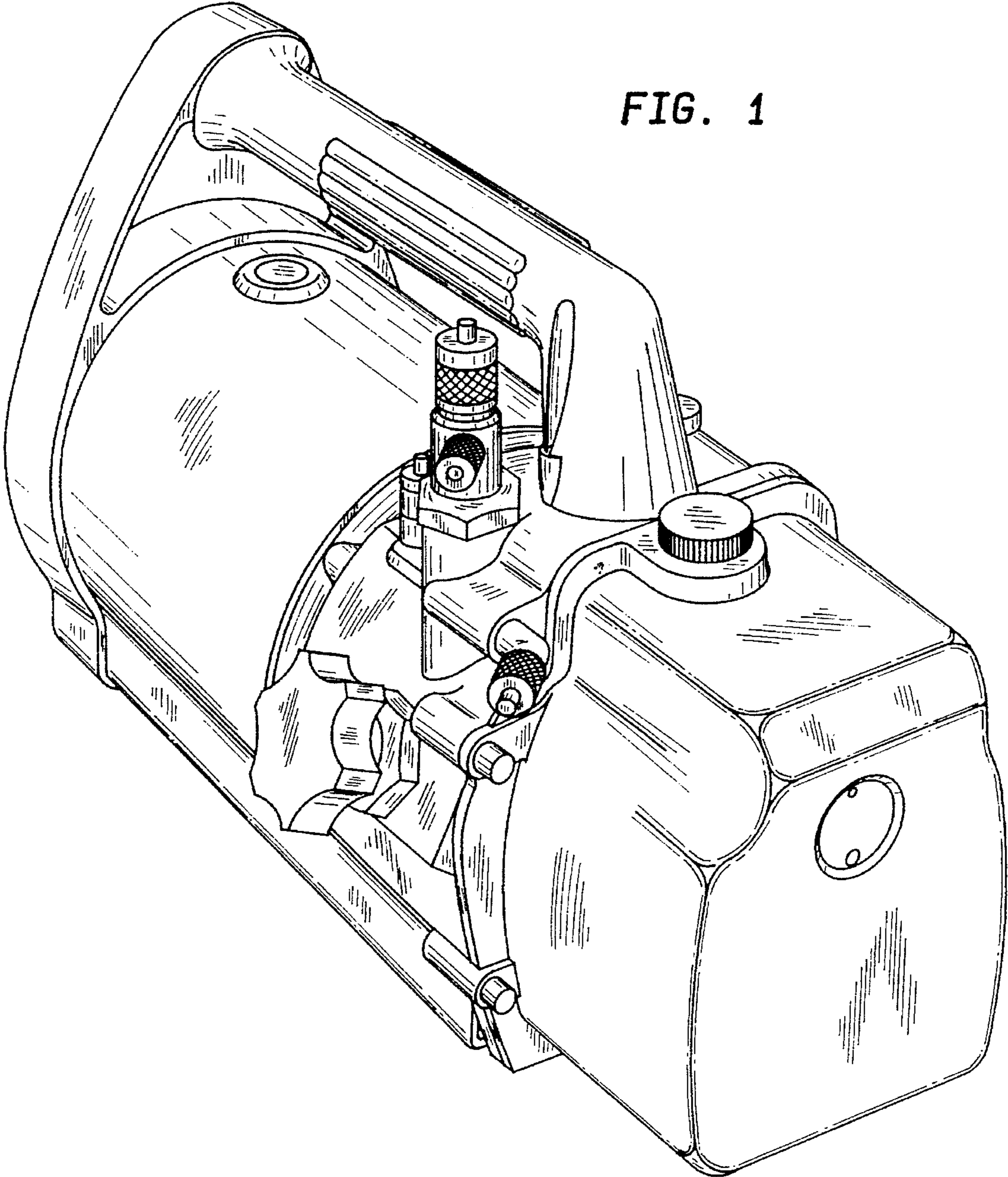


FIG. 2

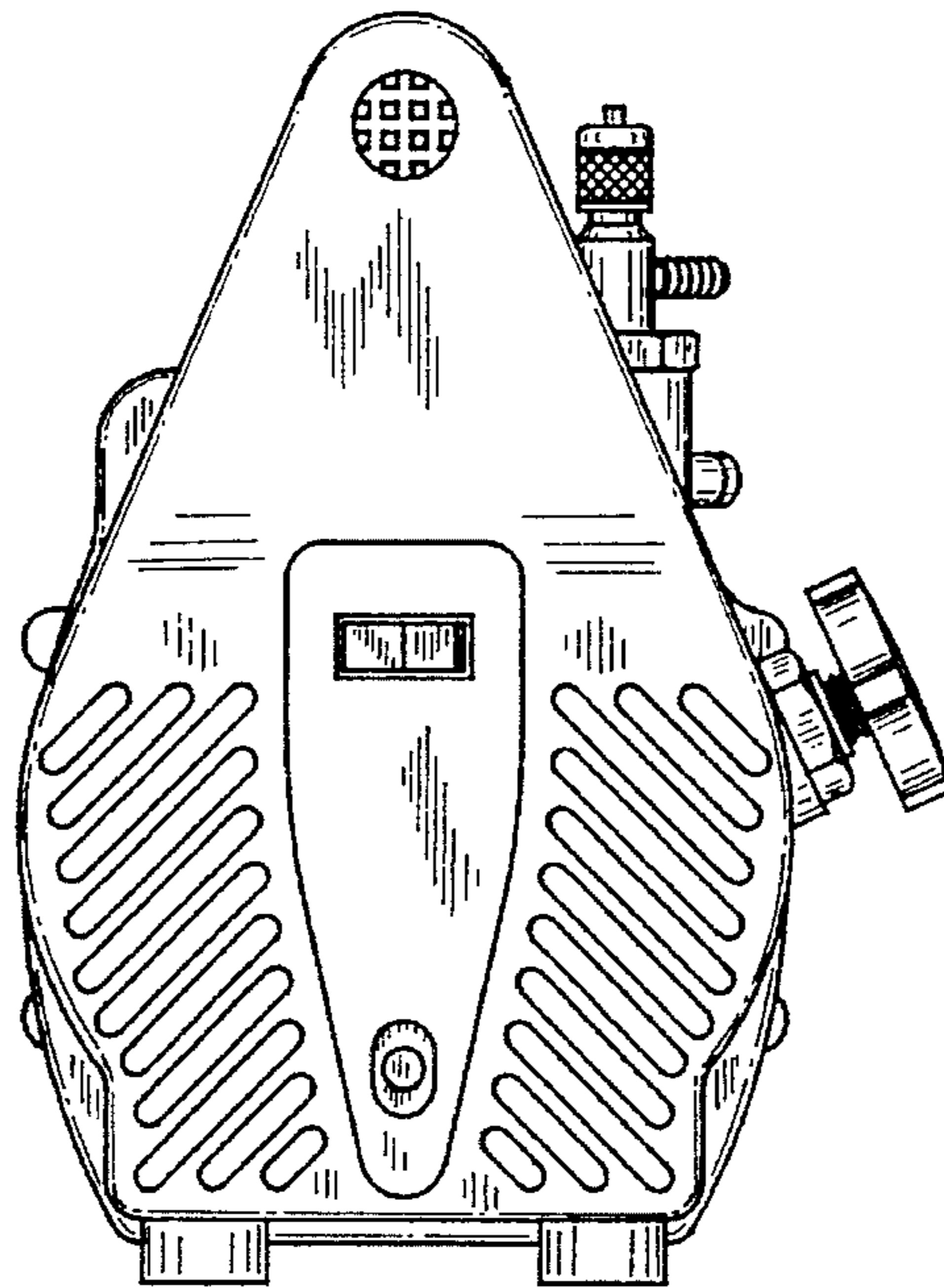


FIG. 3

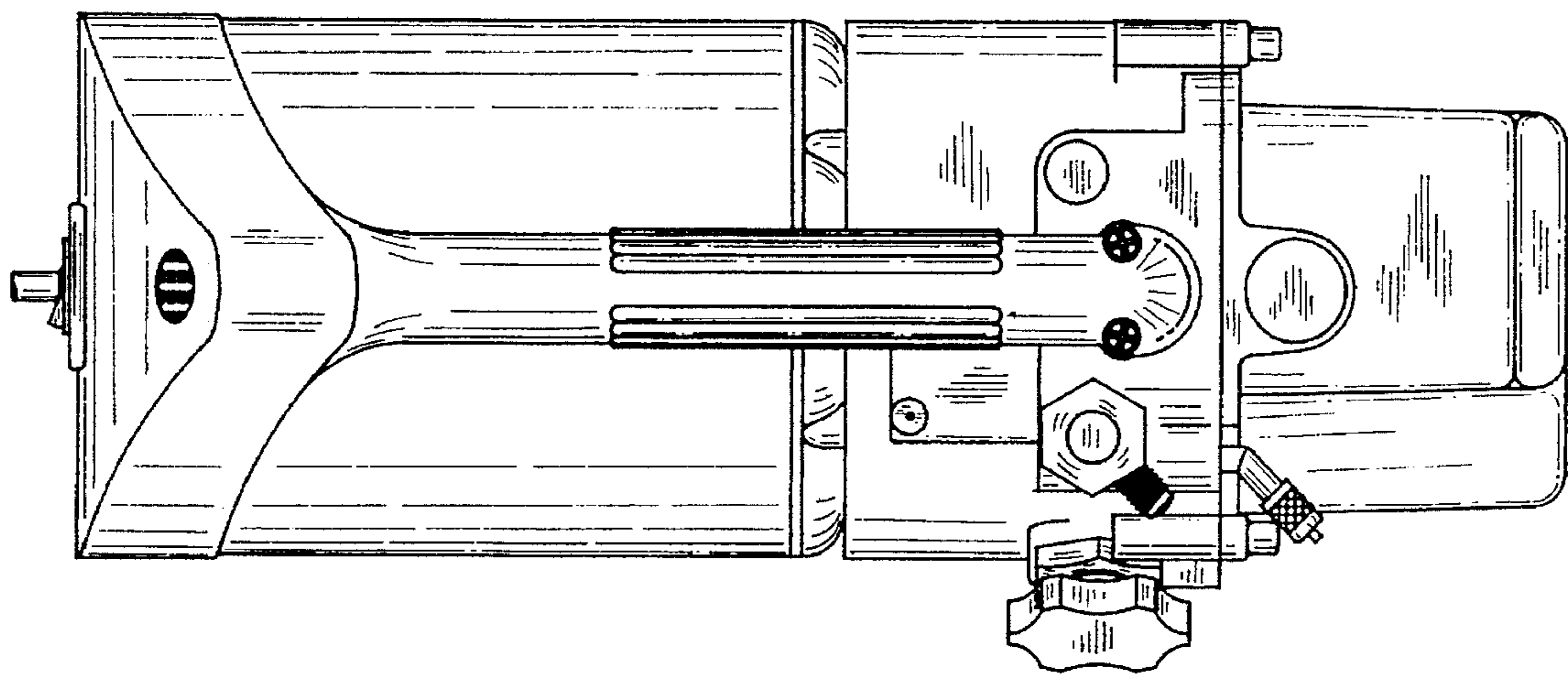


FIG. 4

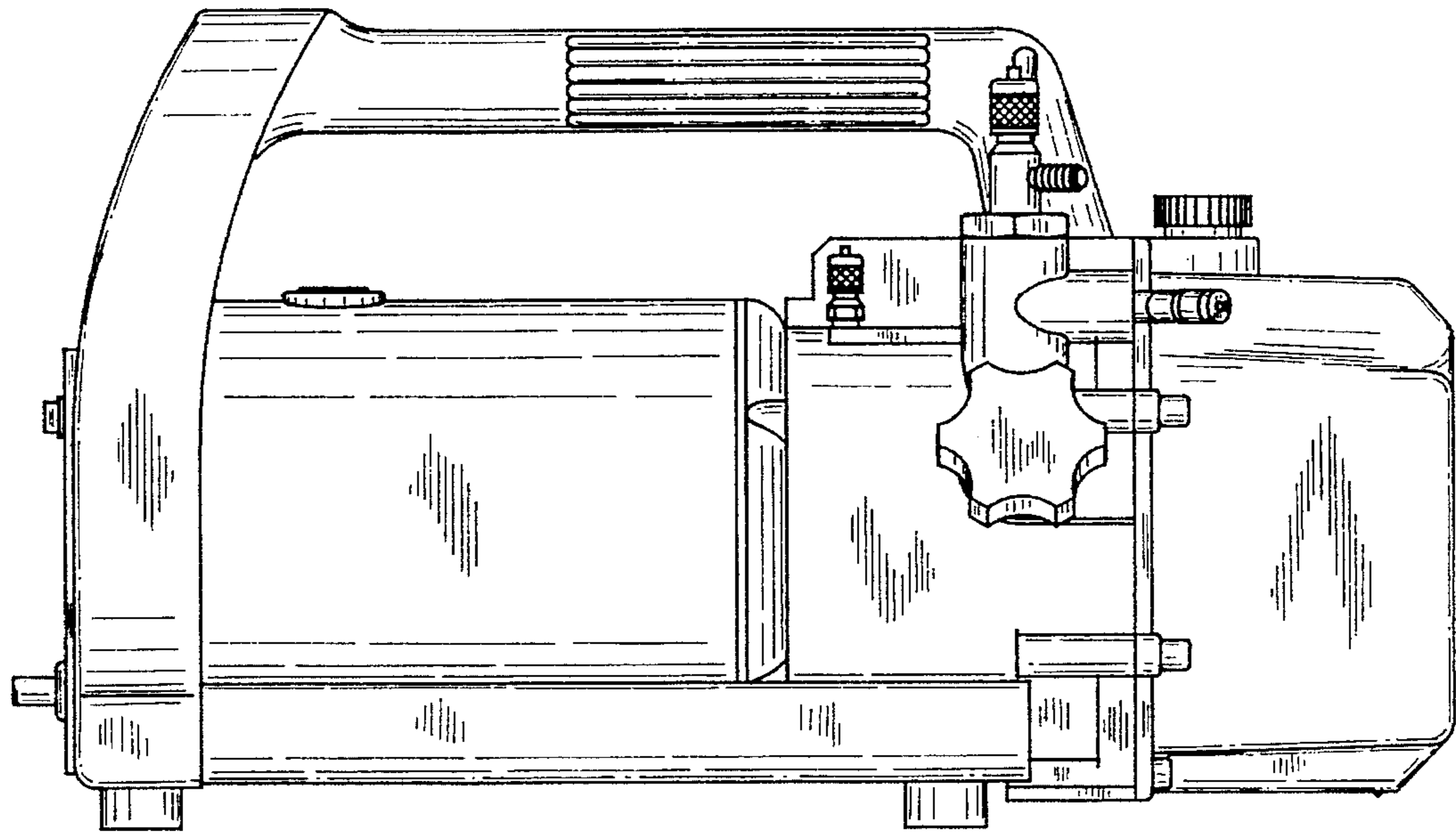


FIG. 5

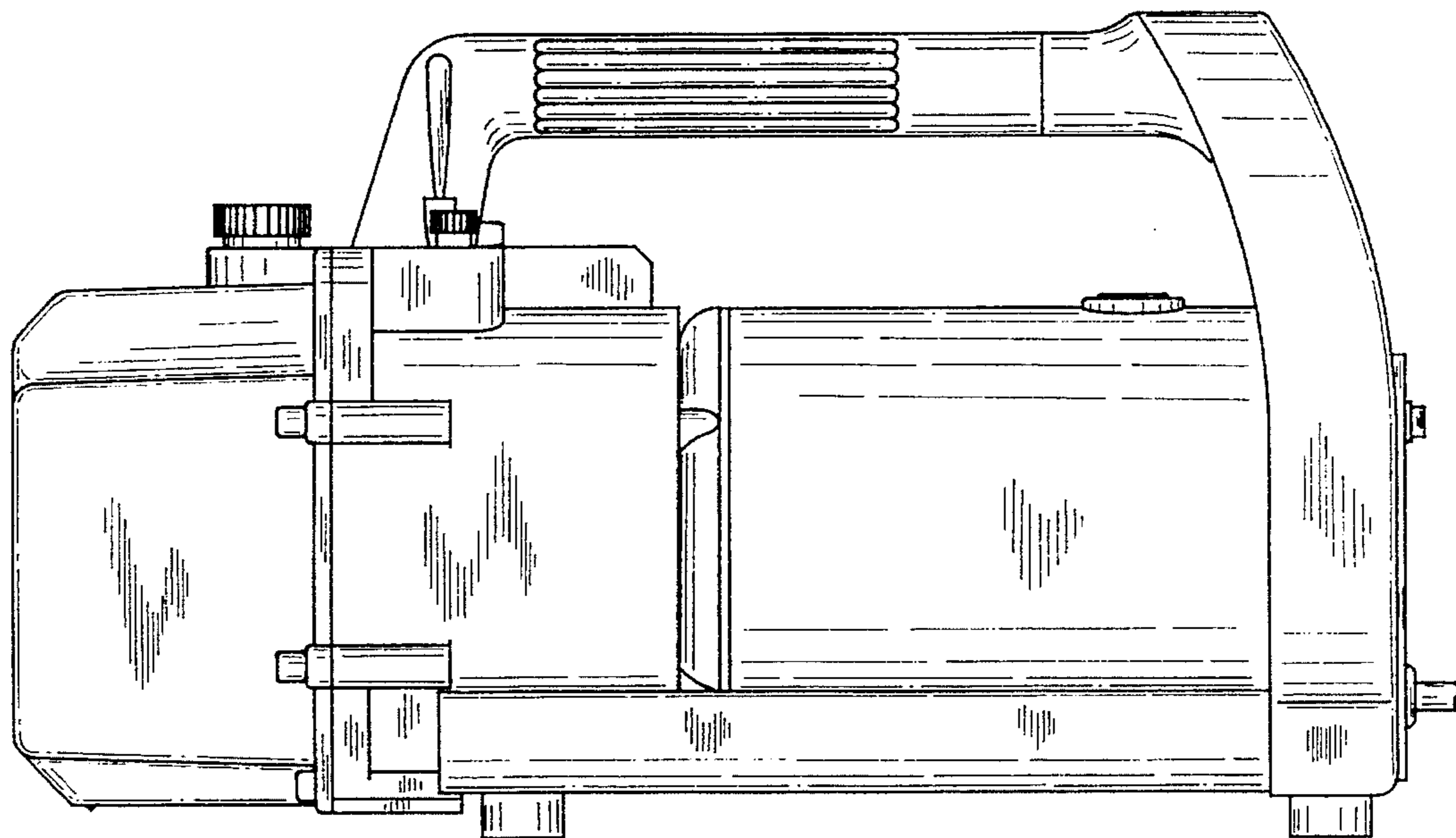


FIG. 6

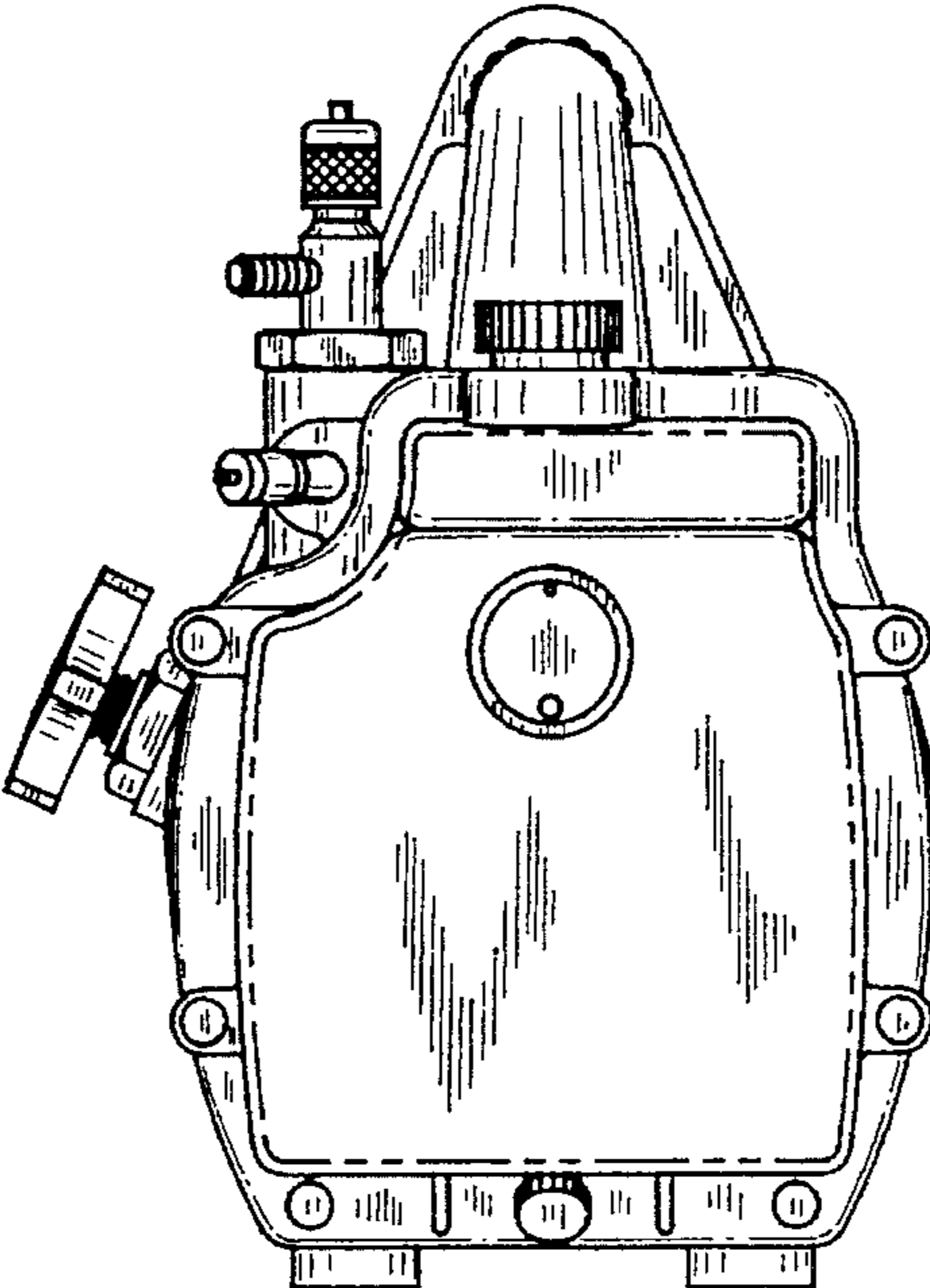


FIG. 7

