



US00D365105S

United States Patent [19]

Aubuchon et al.

[11] Patent Number: **Des. 365,105**

[45] Date of Patent: ****Dec. 12, 1995**

[54] **TERMINAL ADAPTER MODULE**

[75] Inventors: **Mark S. Aubuchon**, Chandler, Ariz.;
Albert L. Nagele, Wilmette, Ill.;
Theodore Harp, III, Scottsdale, Ariz.

[73] Assignee: **Motorola, Inc.**, Schaumburg, Ill.

[**] Term: **14 Years**

[21] Appl. No.: **28,950**

[22] Filed: **Sep. 26, 1994**

[52] U.S. Cl. **D14/240; D14/251**

[58] **Field of Search** D14/107, 114,
D14/251-254, 140, 142, 149, 113, 217,
240, 137, 138; D19/92, 99; 379/428, 435,
454, 455, 434, 436, 440

D. 268,342 3/1983 Genaro et al. D14/137
D. 324,515 3/1992 Harden D14/113
D. 336,287 6/1993 Mizusugi et al. D14/107
4,517,420 5/1985 Haskins 379/435 X
4,617,428 10/1986 Gala et al. 379/428
4,741,033 4/1988 Utoh et al. 379/454 X

Primary Examiner—Jeffrey Asch
Attorney, Agent, or Firm—Jeffrey D. Nehr

[57] CLAIM

The ornamental design for the terminal adapter module, as shown and described.

DESCRIPTION

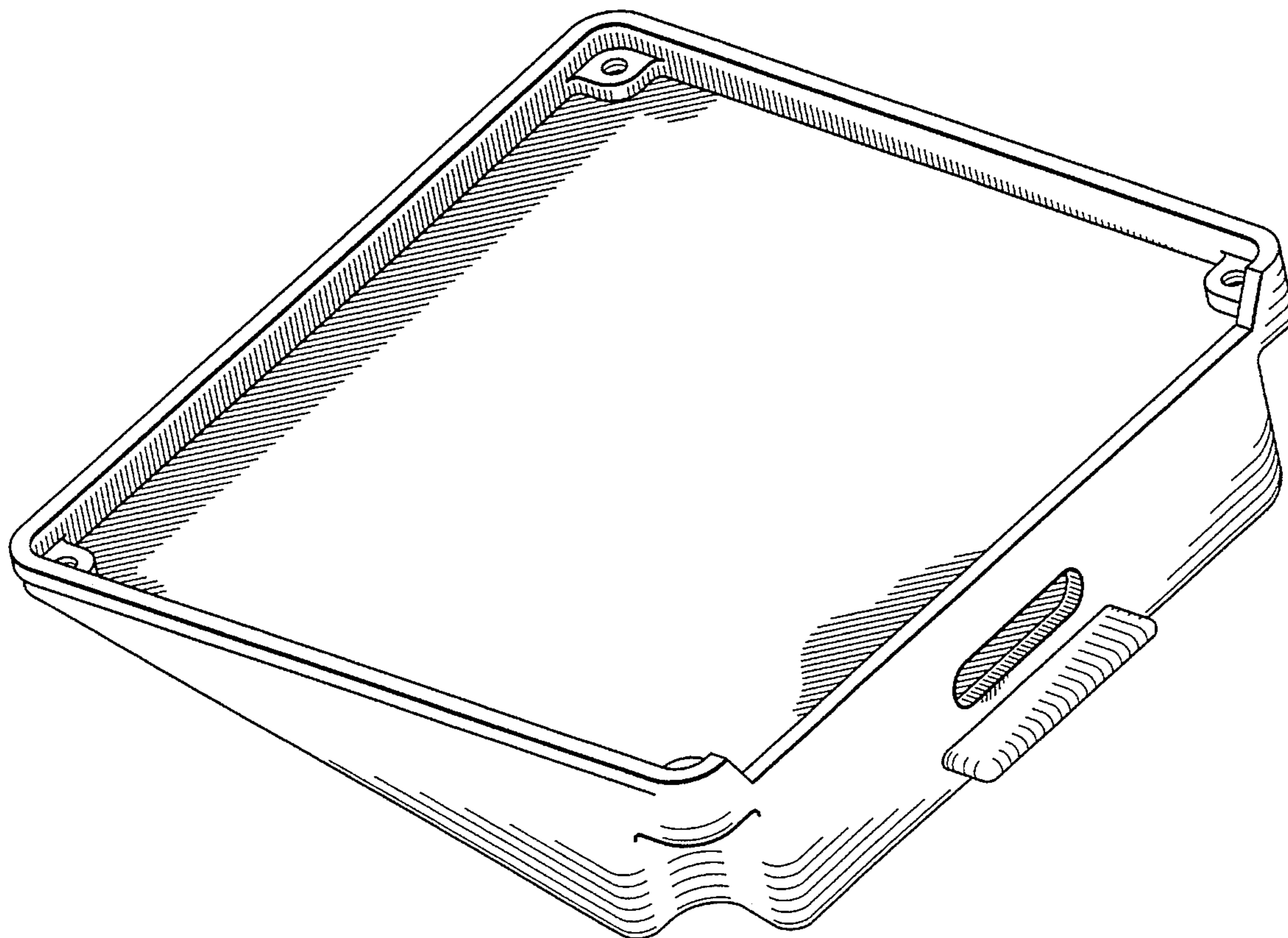
FIG. 1 is a rear, top, and right side view showing our new design for a terminal adapter module;
FIG. 2 is a top plan view thereof;
FIG. 3 is a rear elevational view thereof;
FIG. 4 is a right side elevational view thereof;
FIG. 5 is a left side elevational view thereof; and,
FIG. 6 is a front elevational view thereof.

[56] **References Cited**

U.S. PATENT DOCUMENTS

D. 240,431 7/1976 Stapp D14/251
D. 266,425 10/1982 Reaume D14/114
D. 267,414 12/1982 Tyke D19/92

1 Claim, 2 Drawing Sheets



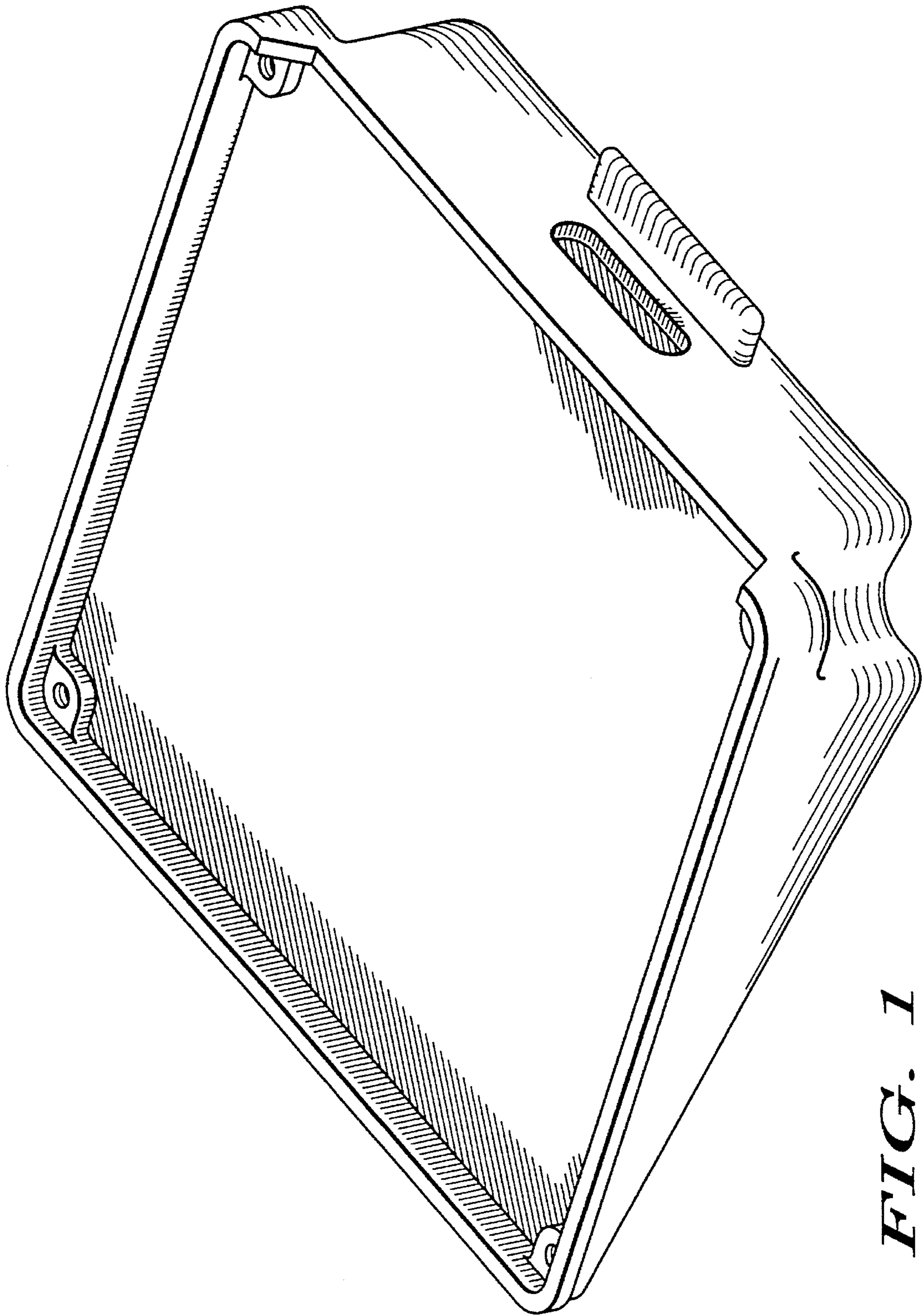


FIG. 1

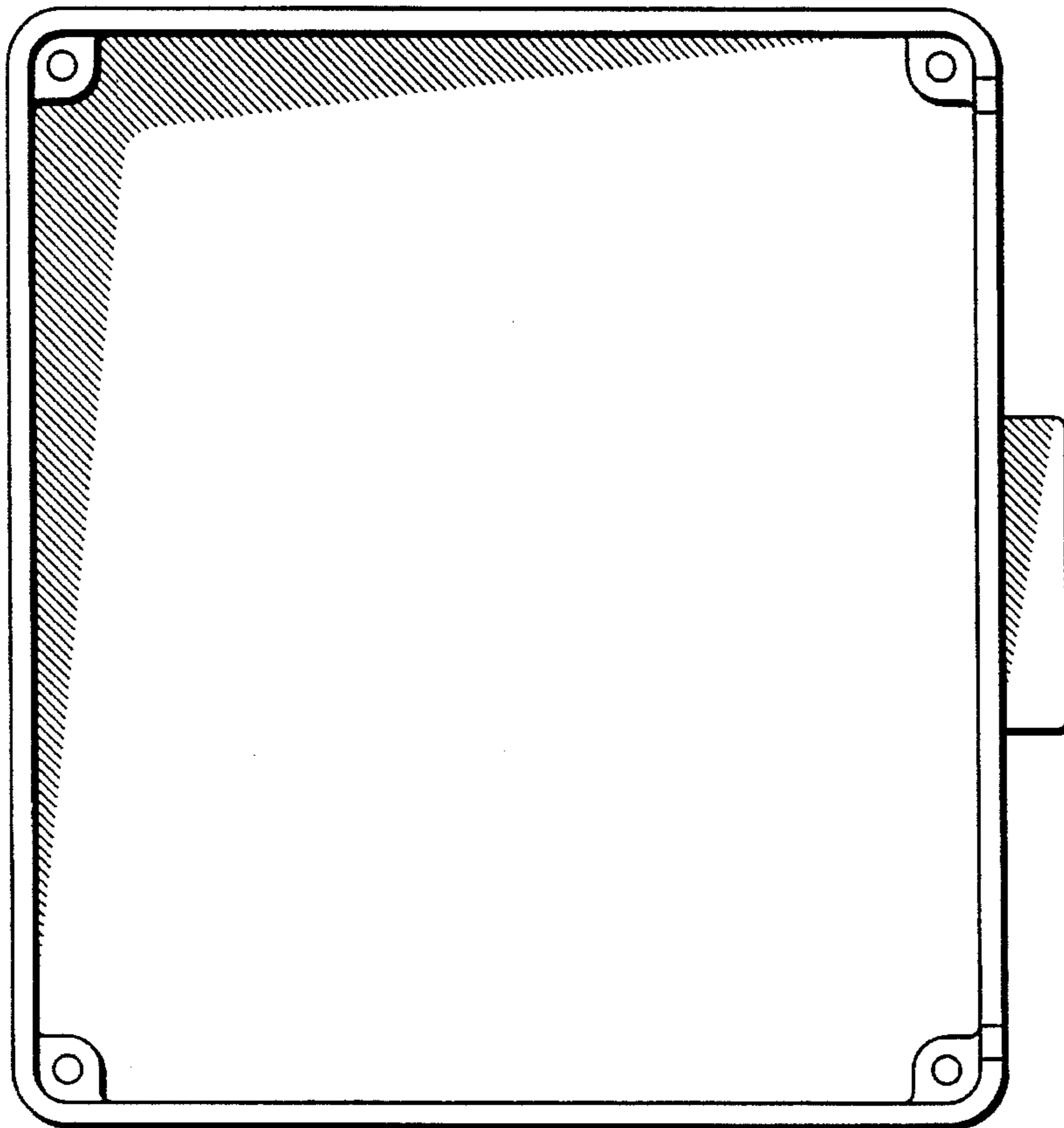


FIG. 2

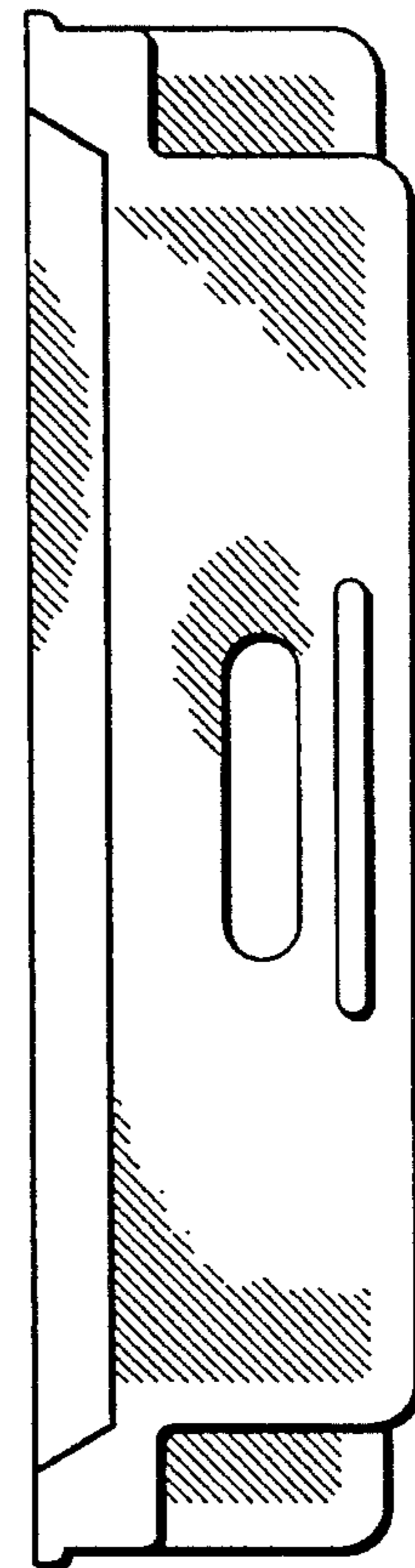


FIG. 3

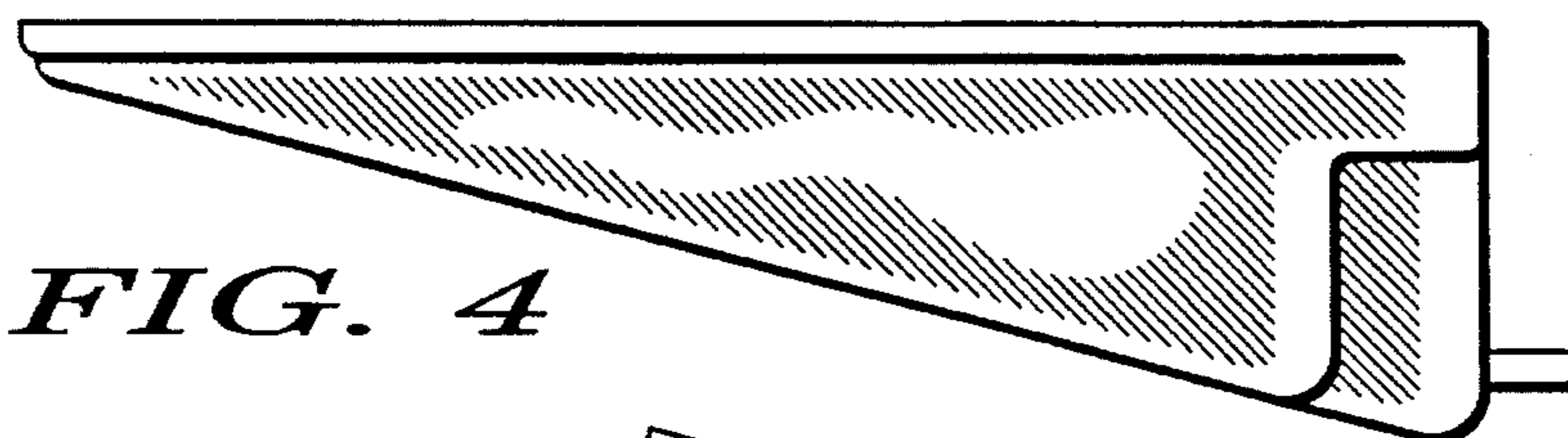


FIG. 4

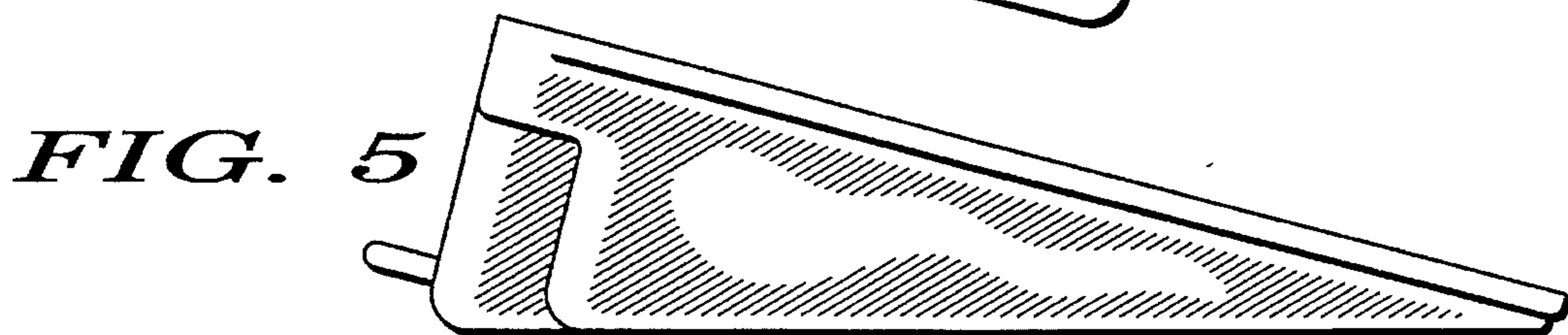


FIG. 5

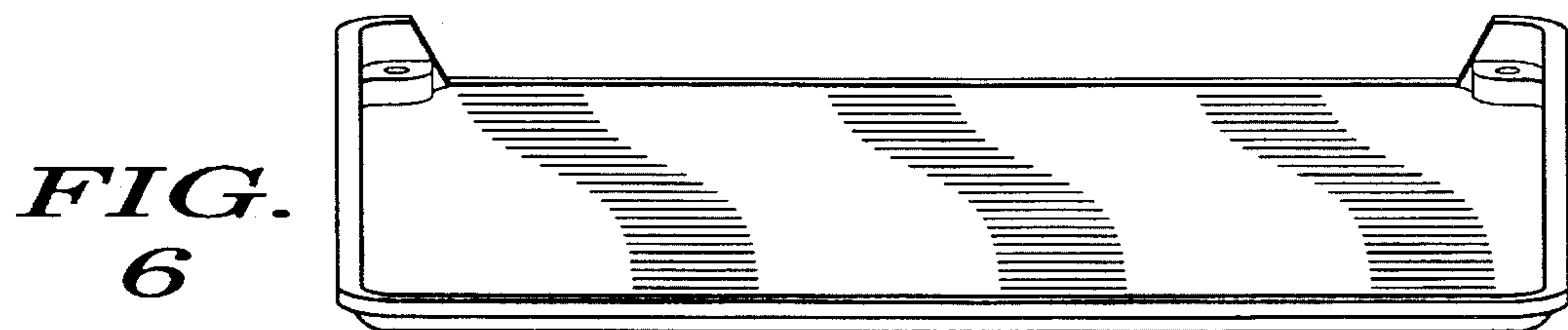


FIG. 6