



US00D365103S

United States Patent [19]

[11] Patent Number: **Des. 365,103**

Iacobellis

[45] Date of Patent: ****Dec. 12, 1995**

[54] **REMOTE CONTROL**

[75] Inventor: **Michael Iacobellis**, P.O. Box 52, New York, N.Y. 10156

[73] Assignee: **Michael Iacobellis**, New York, N.Y.

[**] Term: **14 Years**

[21] Appl. No.: **17,578**

[22] Filed: **Jan. 18, 1994**

[52] U.S. Cl. **D21/218; D21/147**

[58] **Field of Search** D10/104, 106; D13/168; D14/124, 217, 218, 299; D21/147; D22/104, 105; 273/310; 348/734; 455/151.1-151.4, 352-355

2,137,154 11/1938 Brubaker D21/147
 4,365,439 12/1982 Litynski 273/310
 4,811,955 3/1989 De Bernardini 273/310
 5,253,068 10/1993 Crook et al. 348/734

Primary Examiner—Ted Shooman
Assistant Examiner—Sandra Morris

[57] CLAIM

The ornamental design for a remote control, as shown and described.

DESCRIPTION

FIG. 1 is a right side perspective view of a remote control, showing my new design;
 FIG. 2 is a right side perspective view thereof, in the open position, showing the remote control components;
 FIG. 3 is a right side elevational view thereof;
 FIG. 4 is a left side elevational view thereof;
 FIG. 5 is a top plan view thereof;
 FIG. 6 is a bottom plan view thereof;
 FIG. 7 is a front elevational view thereof; and,
 FIG. 8 is a rear elevational view thereof.

[56] **References Cited**
 U.S. PATENT DOCUMENTS

D. 319,059 8/1991 Divine D14/218
 D. 328,463 8/1992 King et al. D14/218
 D. 331,058 11/1992 Morales D14/218
 D. 344,952 3/1994 Bartholomew D14/218
 D. 354,959 1/1995 Madill et al. D14/218

1 Claim, 3 Drawing Sheets



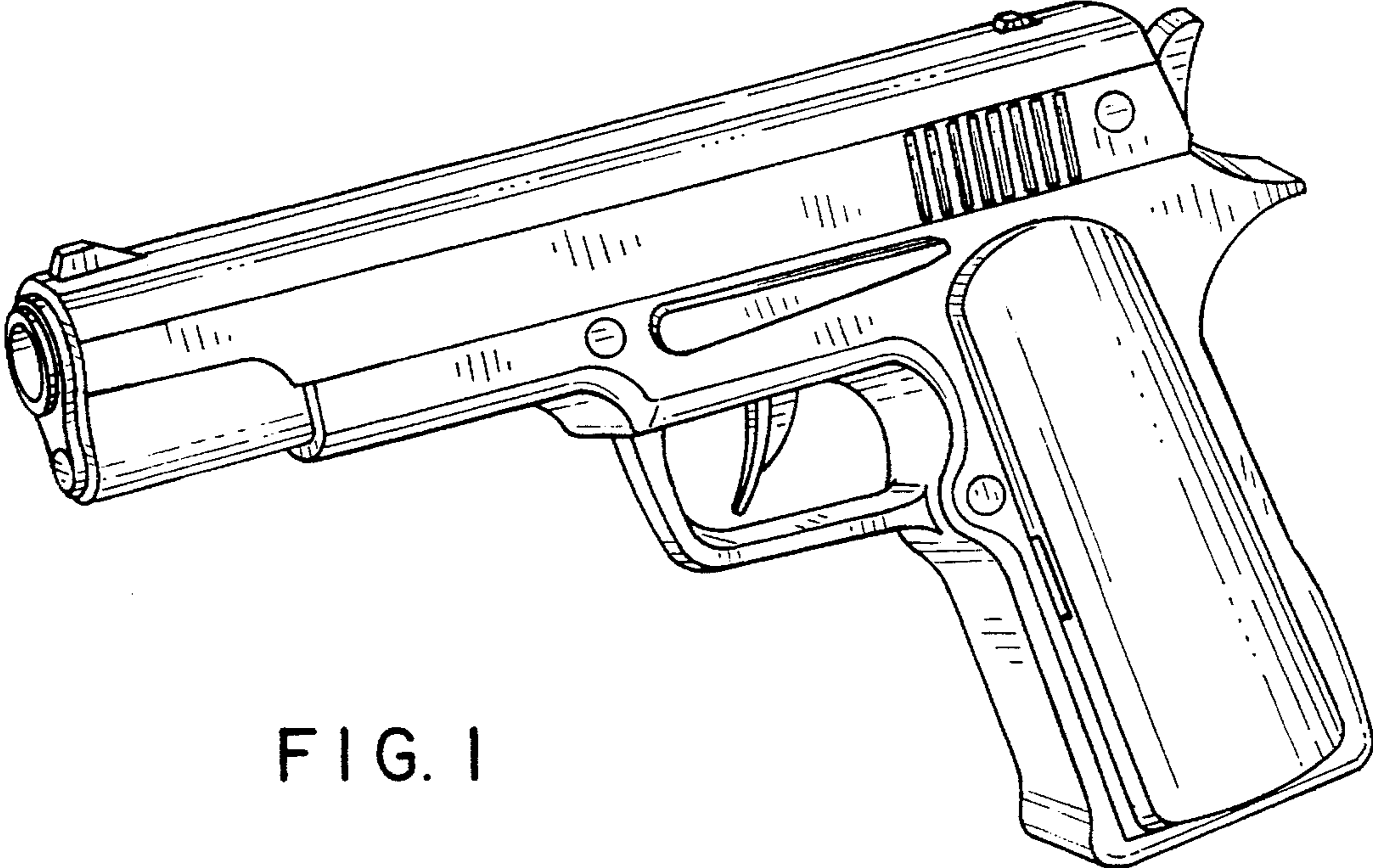


FIG. 1

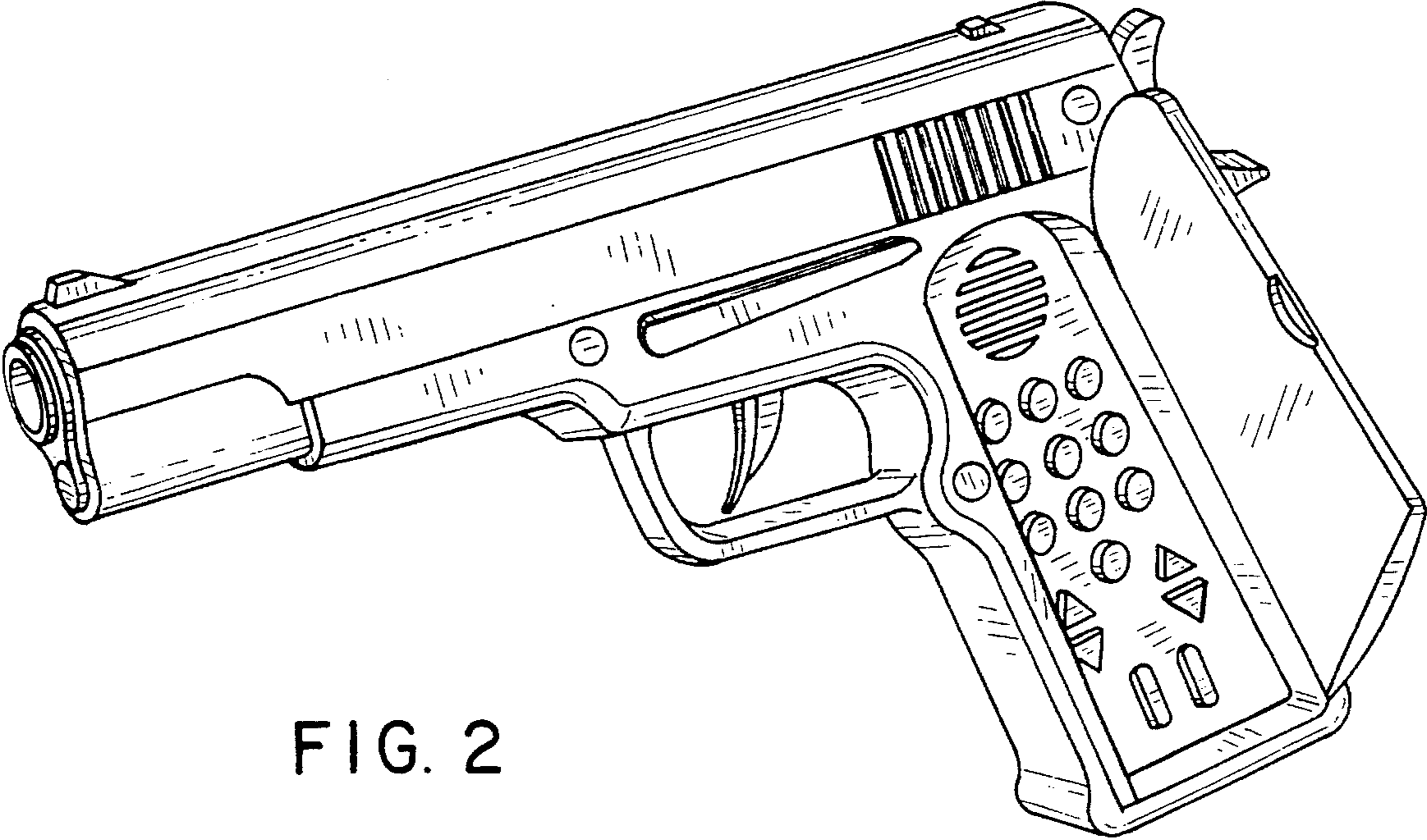


FIG. 2

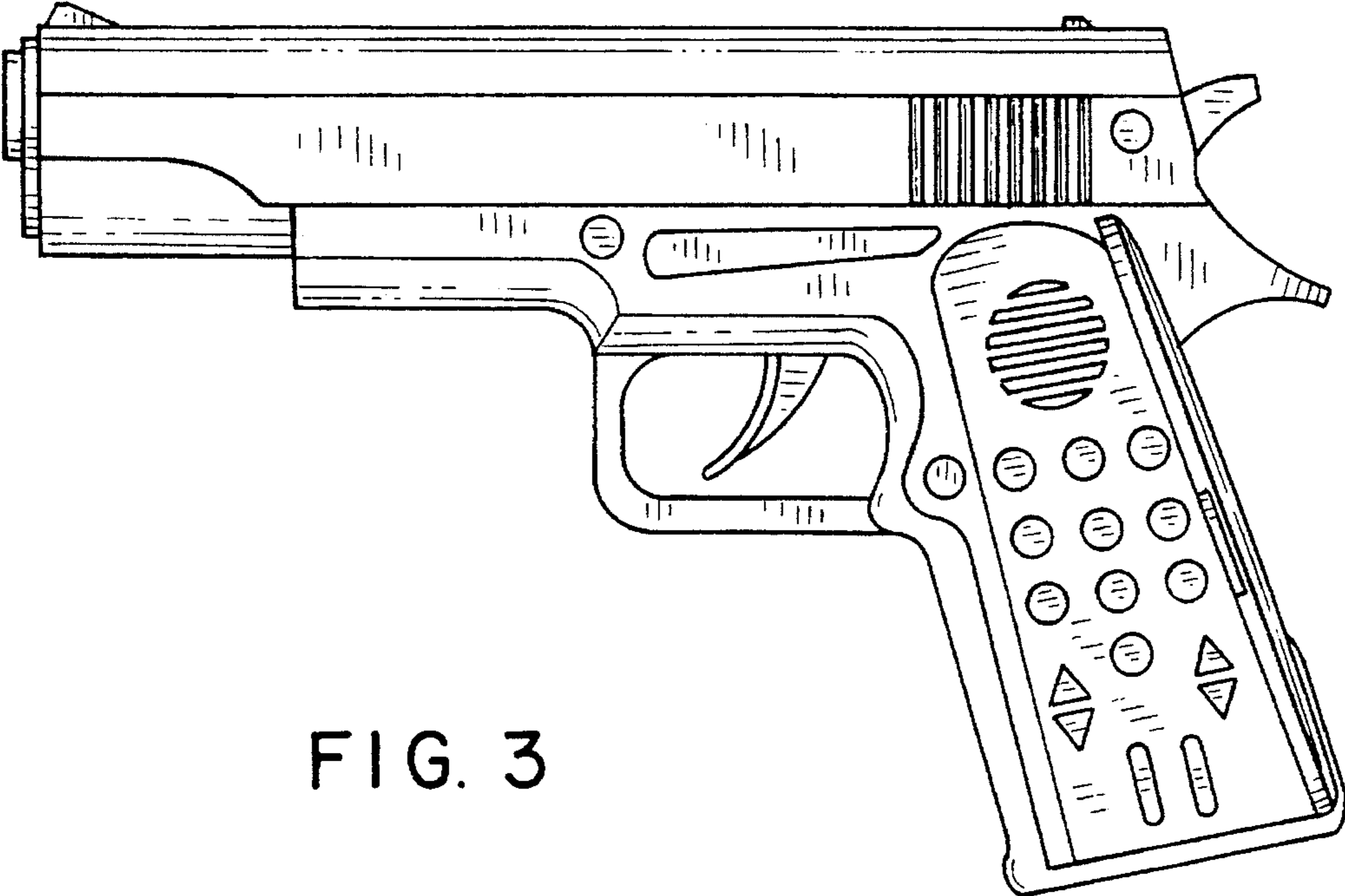


FIG. 3

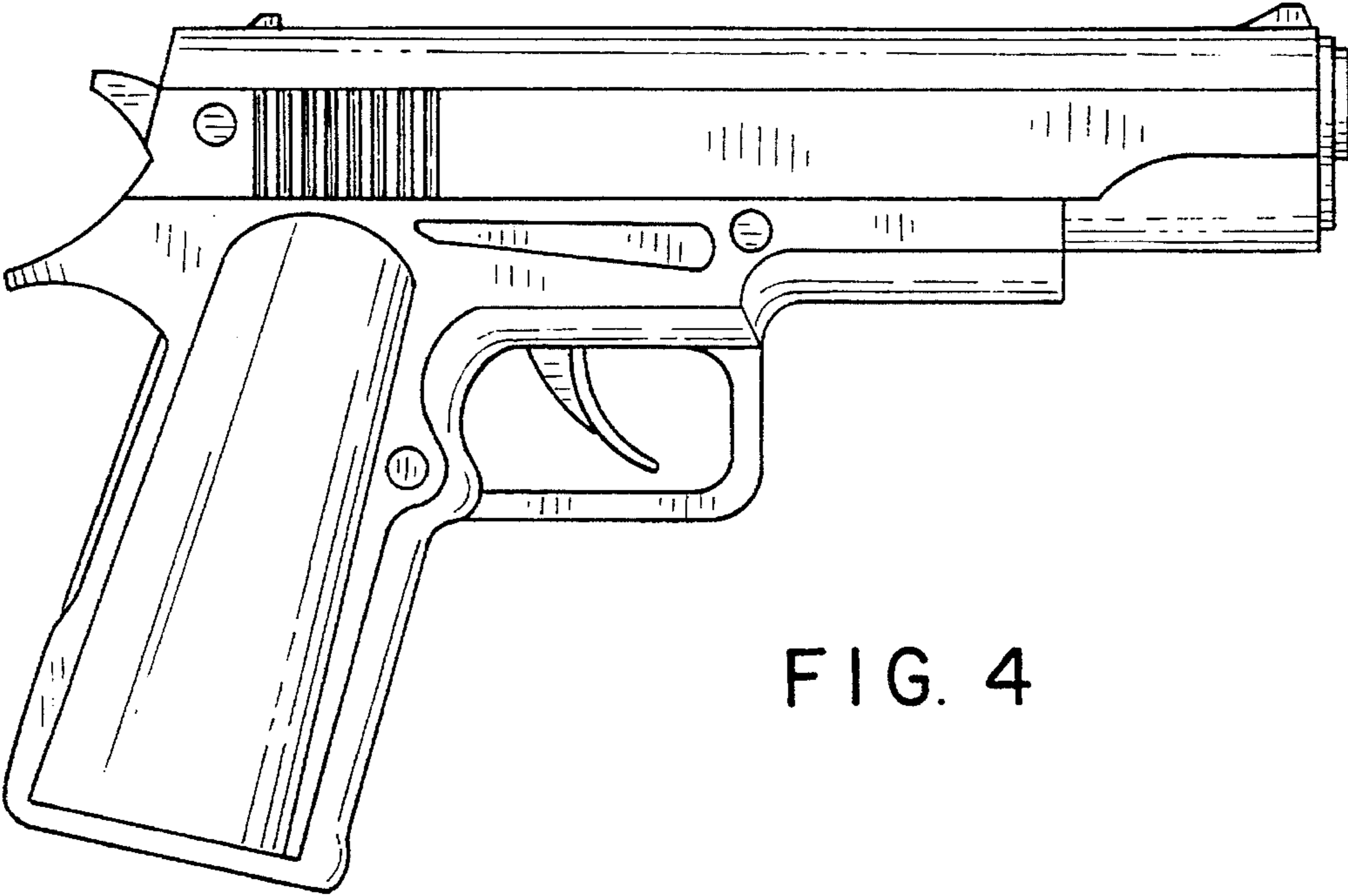


FIG. 4

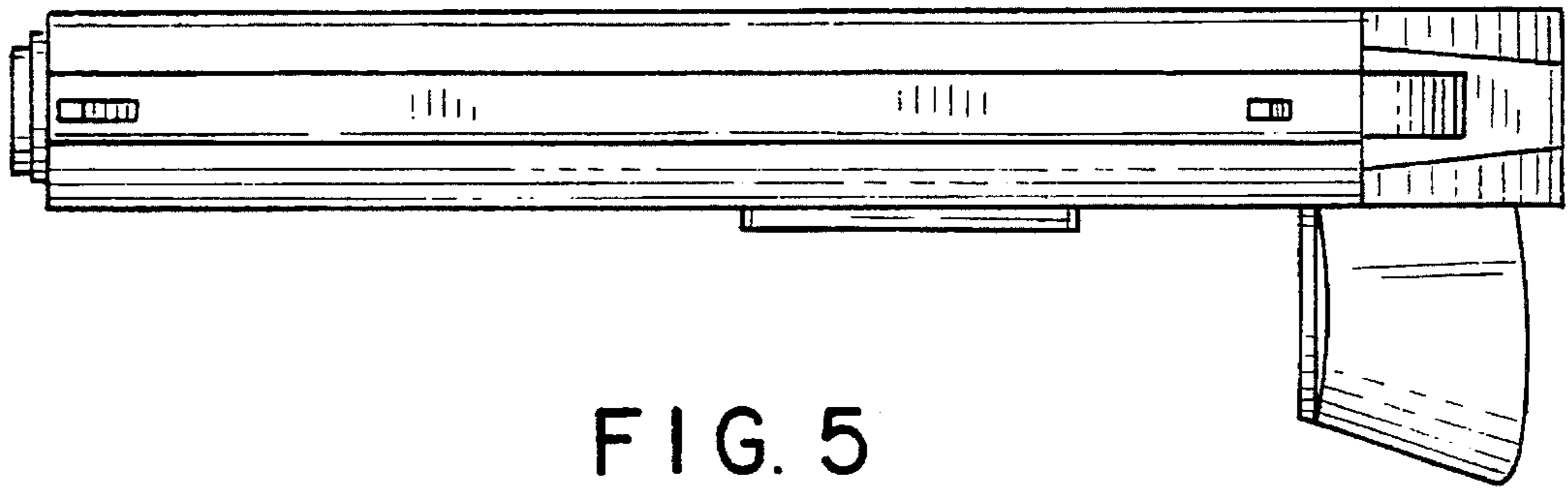


FIG. 5

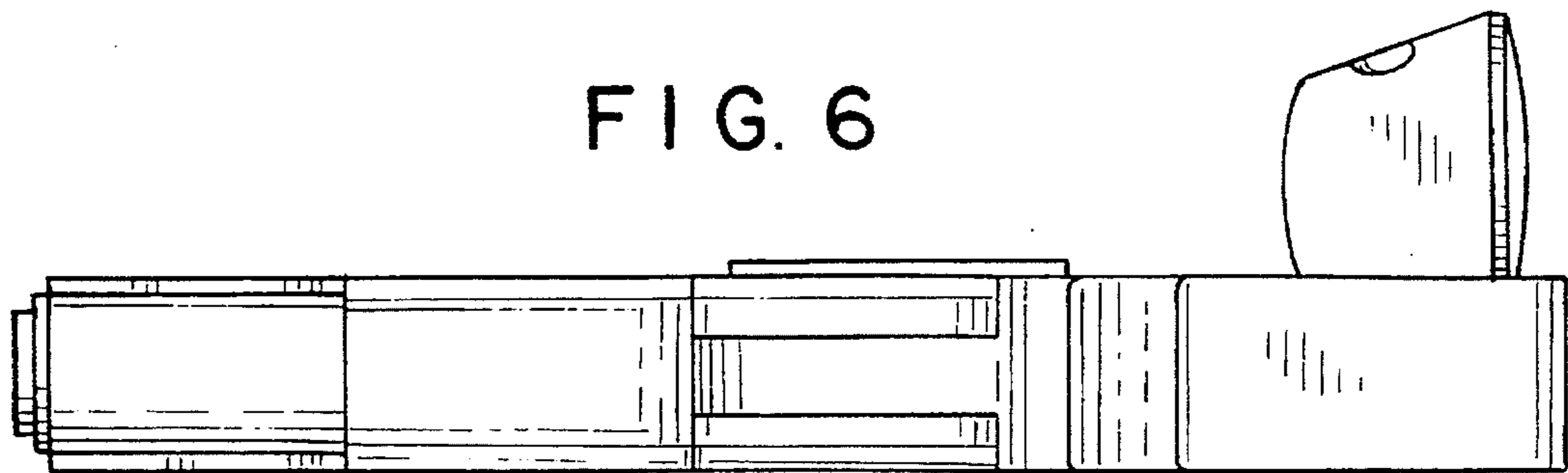


FIG. 6

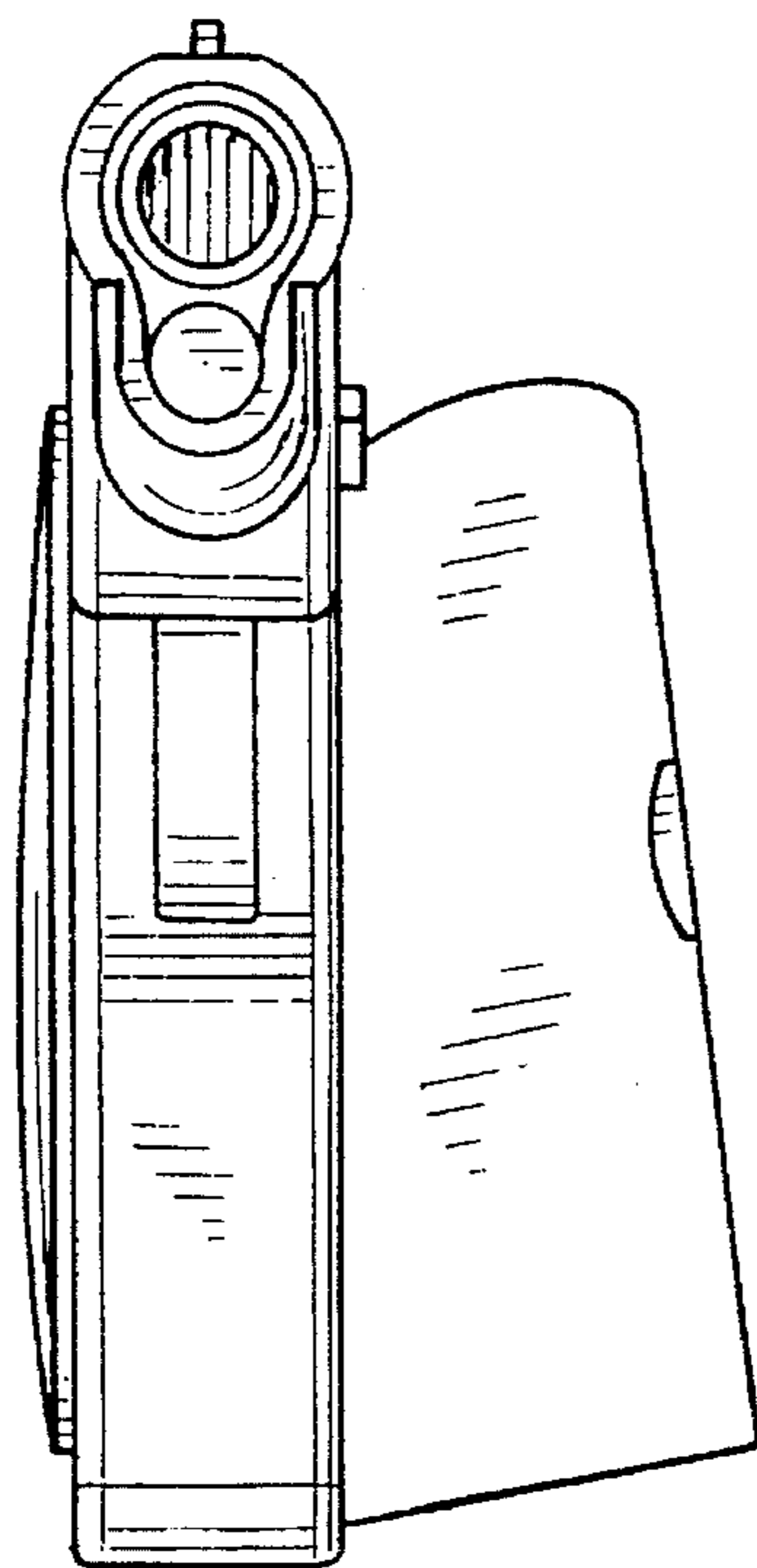


FIG. 7

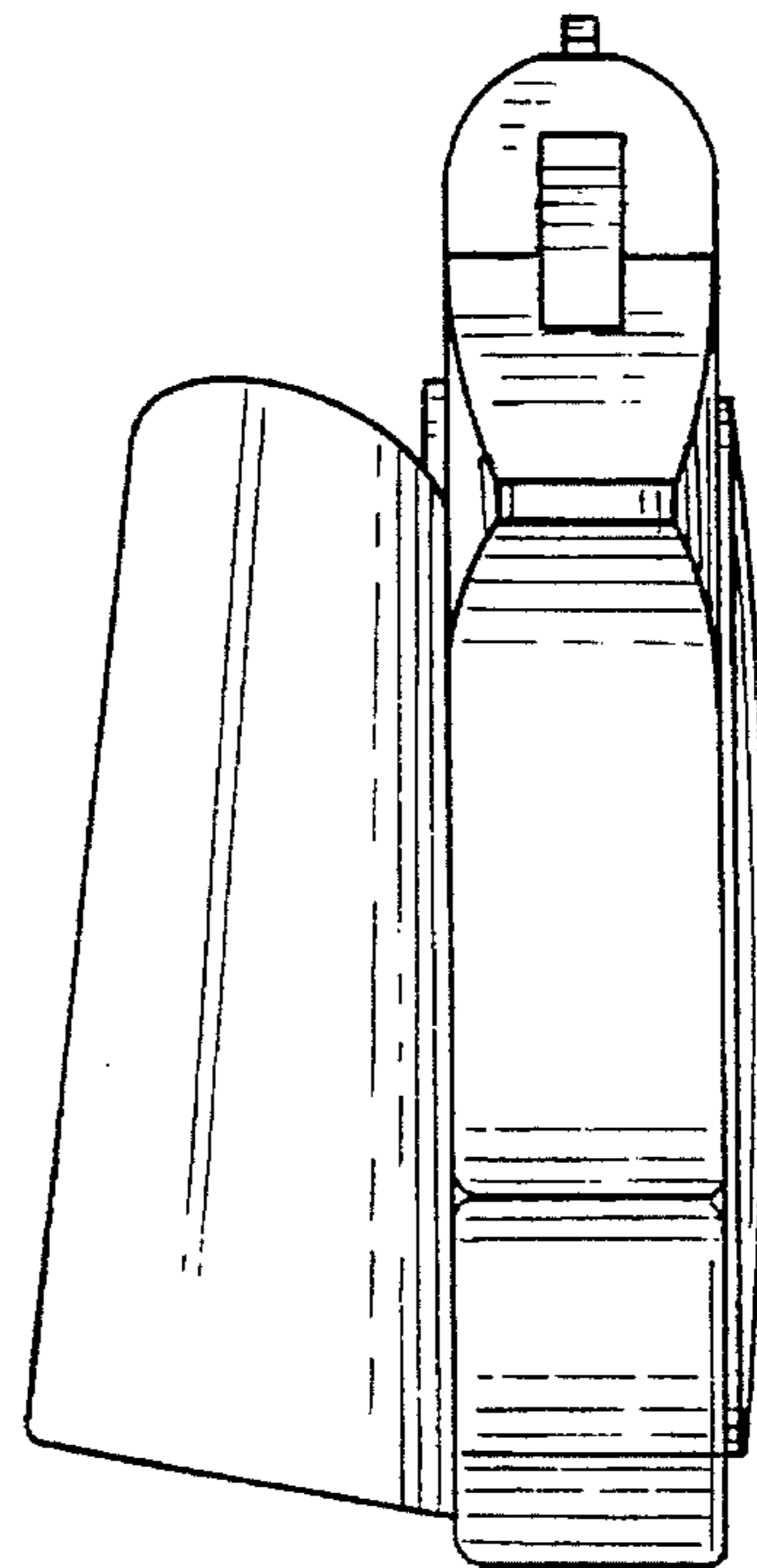


FIG. 8