



US00D365096S

# United States Patent [19] Tung

[11] Patent Number: **Des. 365,096**

[45] Date of Patent: **\*\*Dec. 12, 1995**

[54] TELEPHONE SET

[75] Inventor: **Helen Tung**, Taipei Hsien, Taiwan

[73] Assignee: **Hentak Limited**, Taiwan

[\*\*] Term: **14 Years**

[21] Appl. No.: **32,800**

[22] Filed: **Dec. 28, 1994**

[52] U.S. Cl. .... **D14/150**; D14/152

[58] Field of Search ..... D14/140, 142,  
D14/149-151, 152, 153, 250, 240; 379/419,  
420, 428, 440, 434-436

[56] **References Cited**

**U.S. PATENT DOCUMENTS**

D. 81,680	7/1930	Bernhard	.....	D14/153
D. 247,988	5/1978	Tomita	.....	D14/153 X
D. 280,987	10/1985	Todeschini	.....	D14/153
D. 285,068	8/1986	Haugaard	.....	D14/250
D. 322,784	12/1991	Foy et al.	.....	D14/142 X
D. 324,047	2/1992	Tung	.....	D14/150
D. 353,138	12/1994	Huang	.....	D14/150

D. 353,139 12/1994 Chang ..... D14/150  
2,364,771 12/1944 Bascom et al. .... D14/153 X

**OTHER PUBLICATIONS**

B. A. Pargh 1985 Spring/Summer Catalog, "Grand Prix Phone With Hold" at top right, p. 281.

*Primary Examiner*—Jeffrey Asch  
*Attorney, Agent, or Firm*—Kenyon & Kenyon

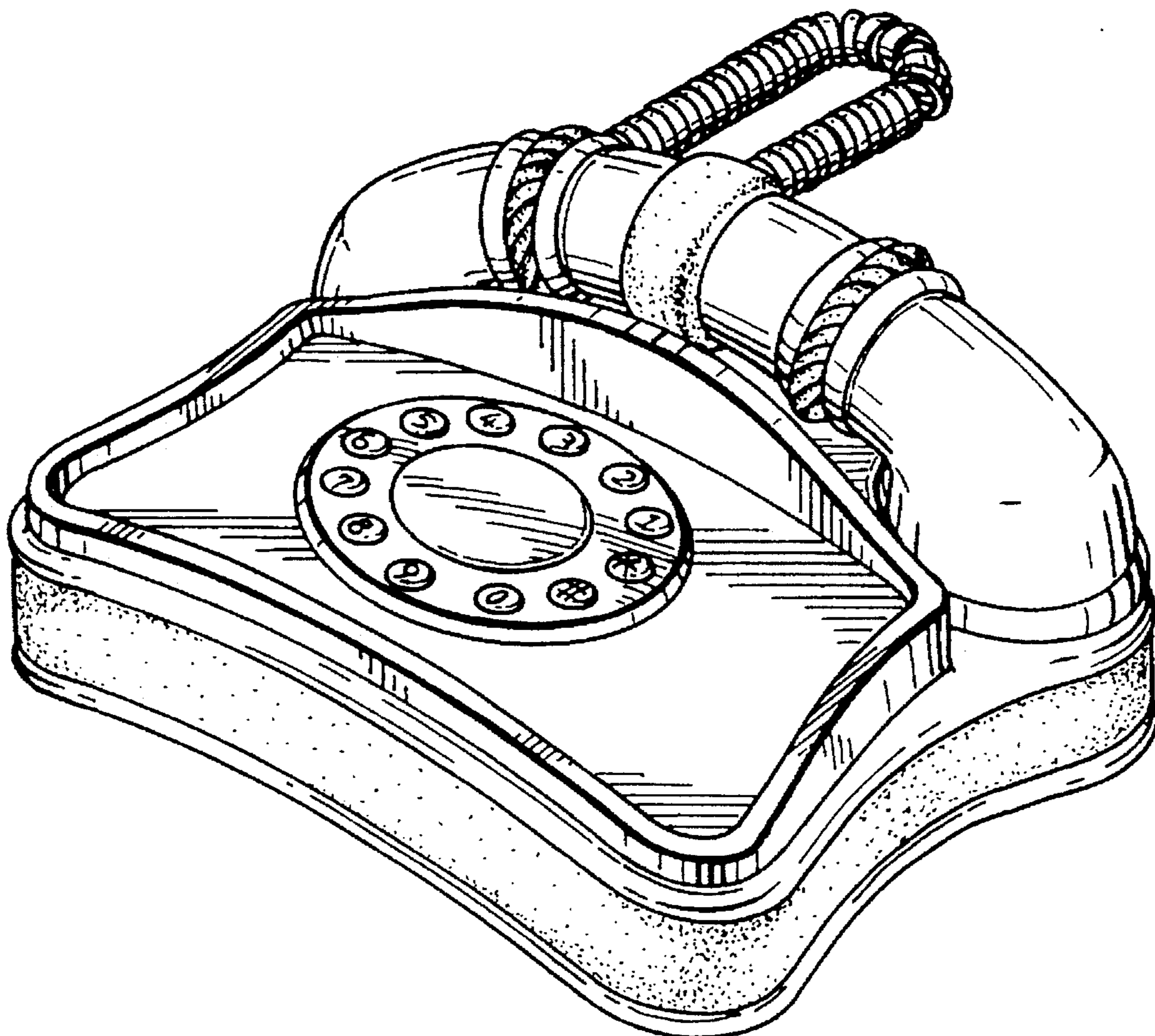
[57] **CLAIM**

The ornamental design for telephone set, as shown and described.

**DESCRIPTION**

FIG. 1 is a perspective view of telephone set showing my new design;  
FIG. 2 is a front elevational view thereof;  
FIG. 3 is a rear elevational view thereof;  
FIG. 4 is a left side elevational view thereof;  
FIG. 5 is a right side elevational view thereof;  
FIG. 6 is a top plan view thereof; and,  
FIG. 7 is a bottom plan view thereof.

**1 Claim, 4 Drawing Sheets**



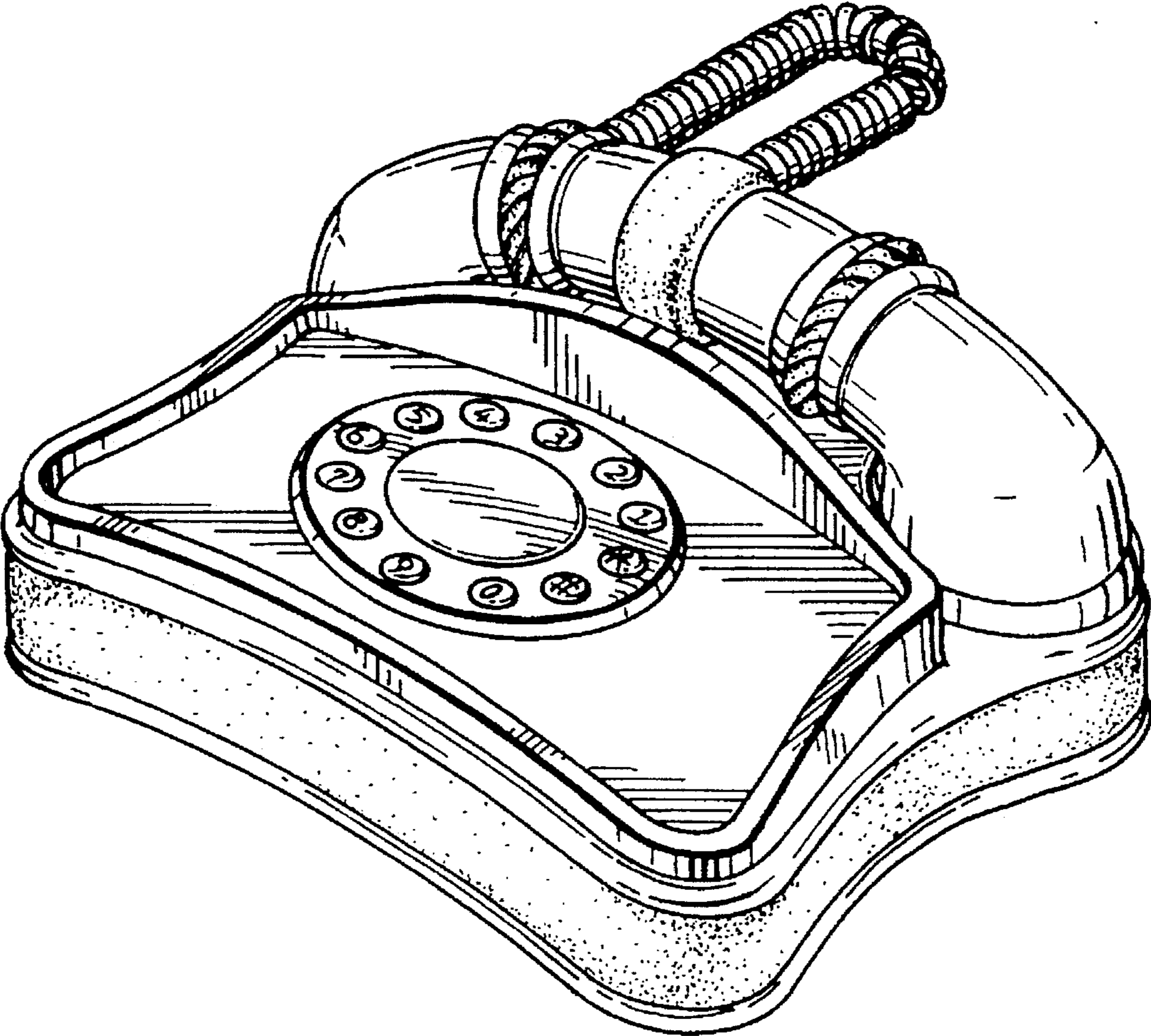


FIG. 1

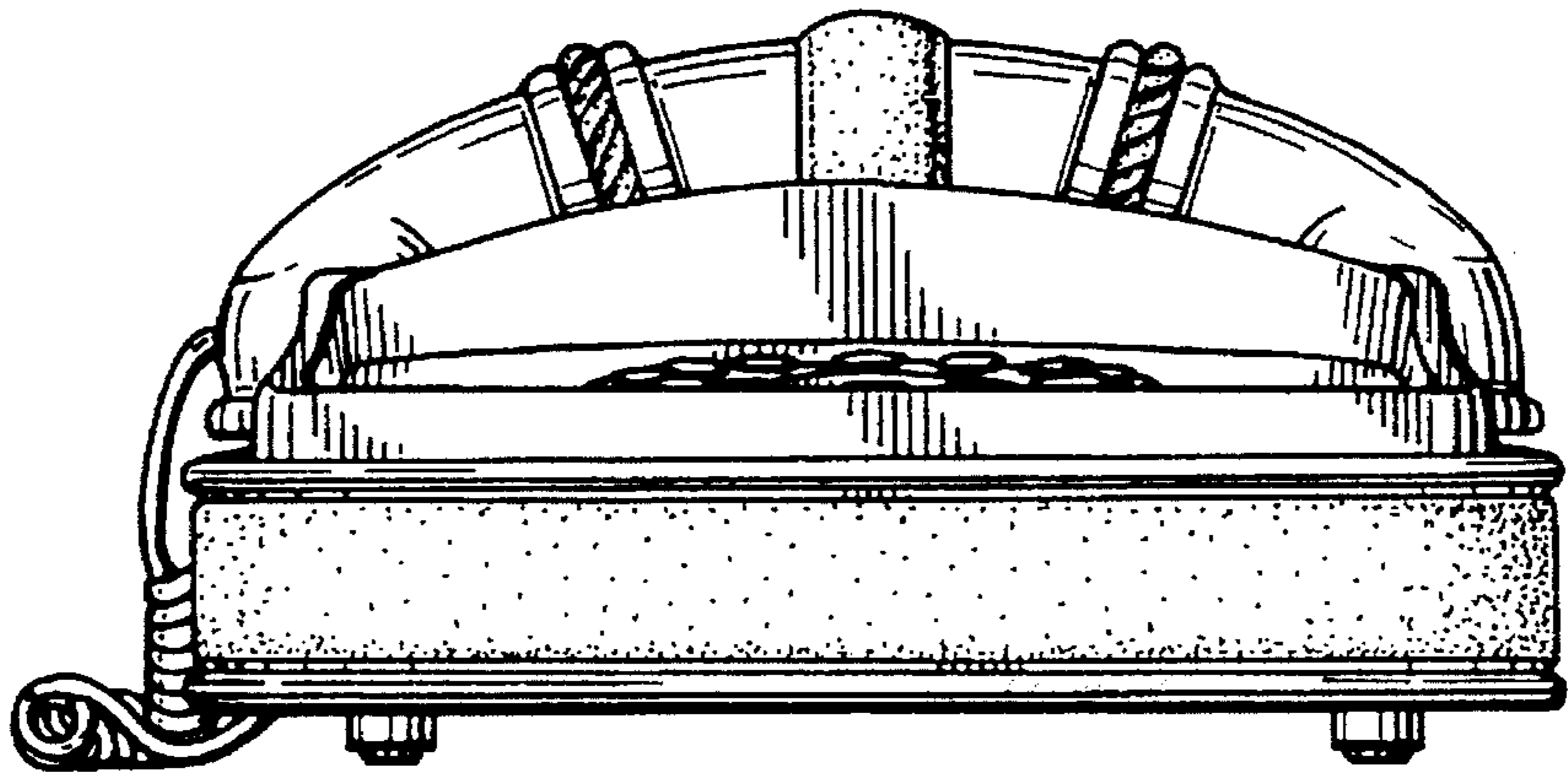


FIG. 2

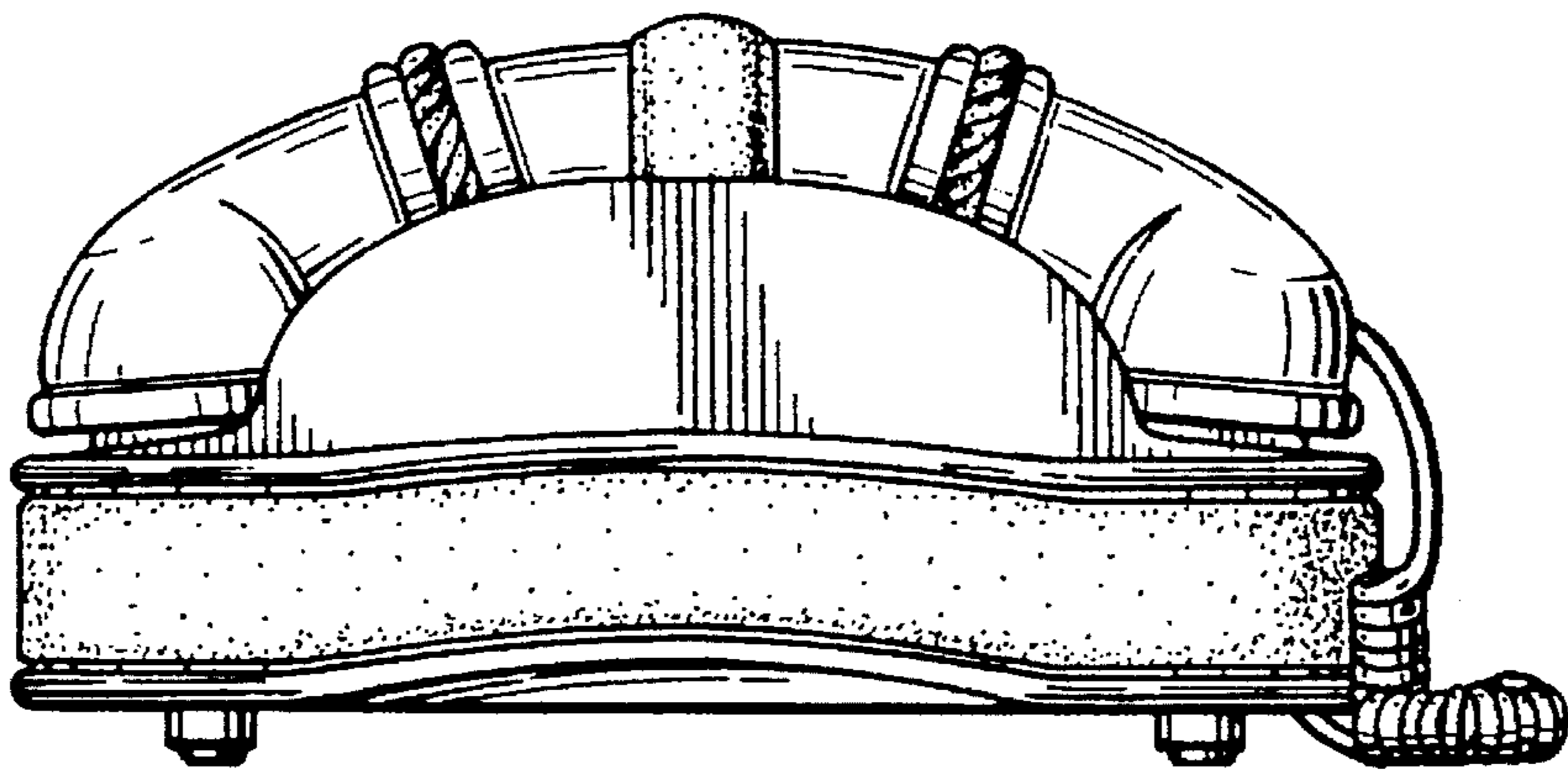


FIG. 3

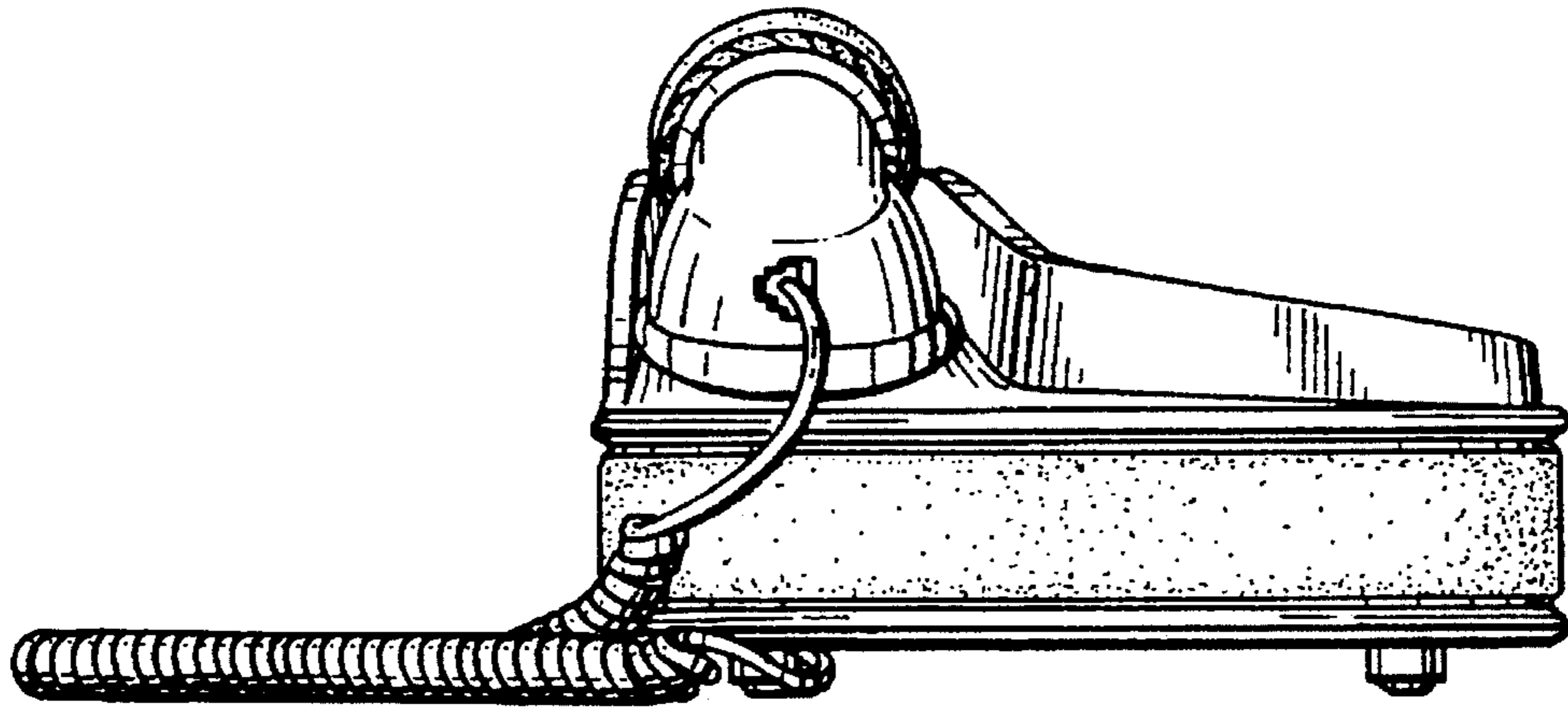


FIG. 4

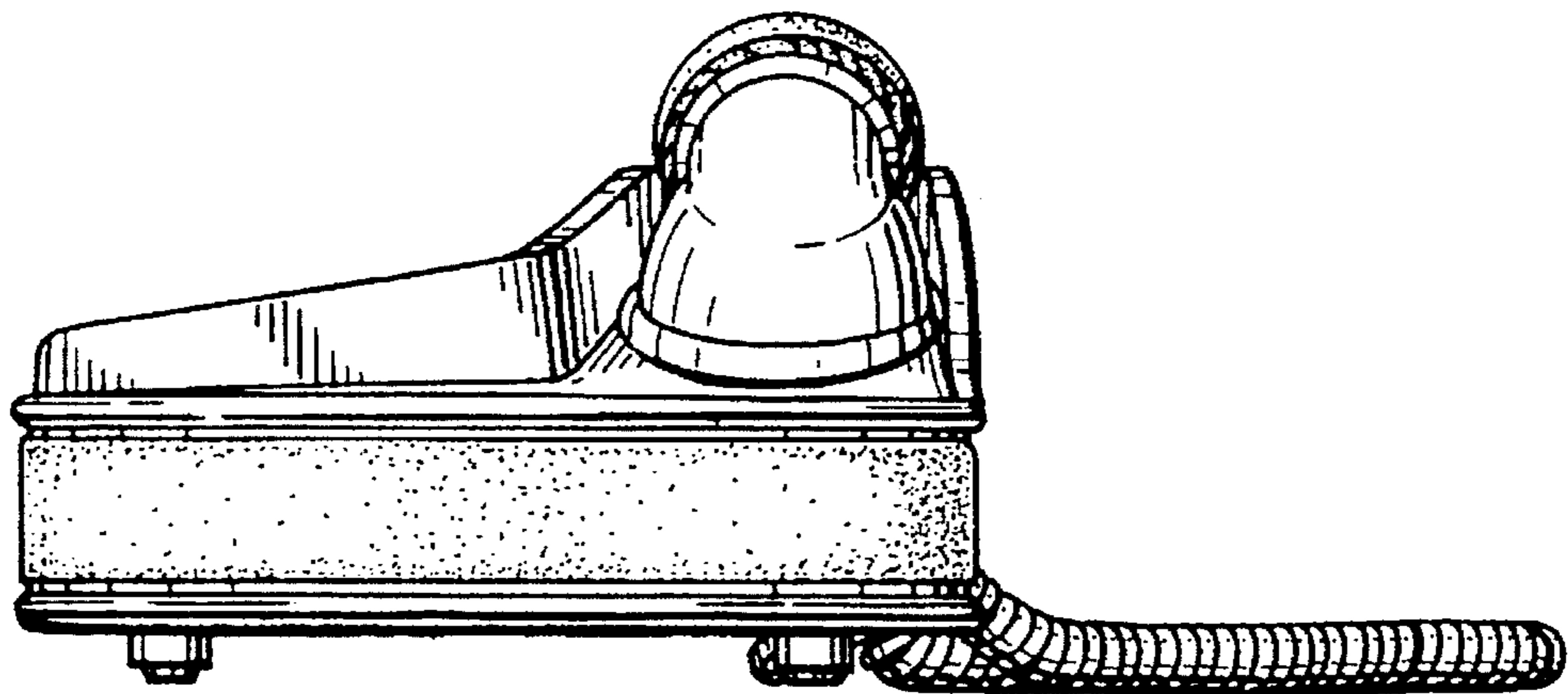


FIG. 5

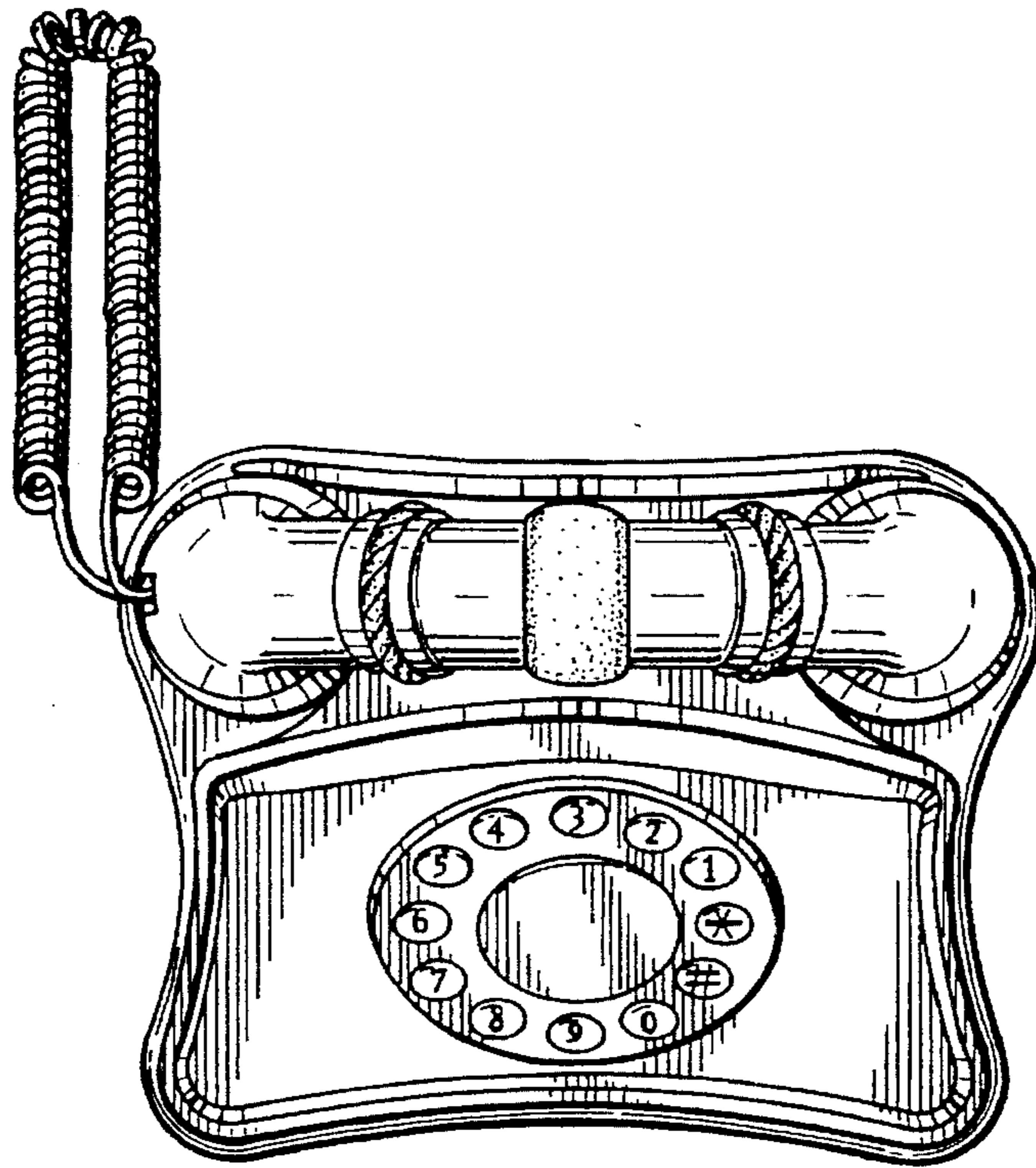


FIG. 6

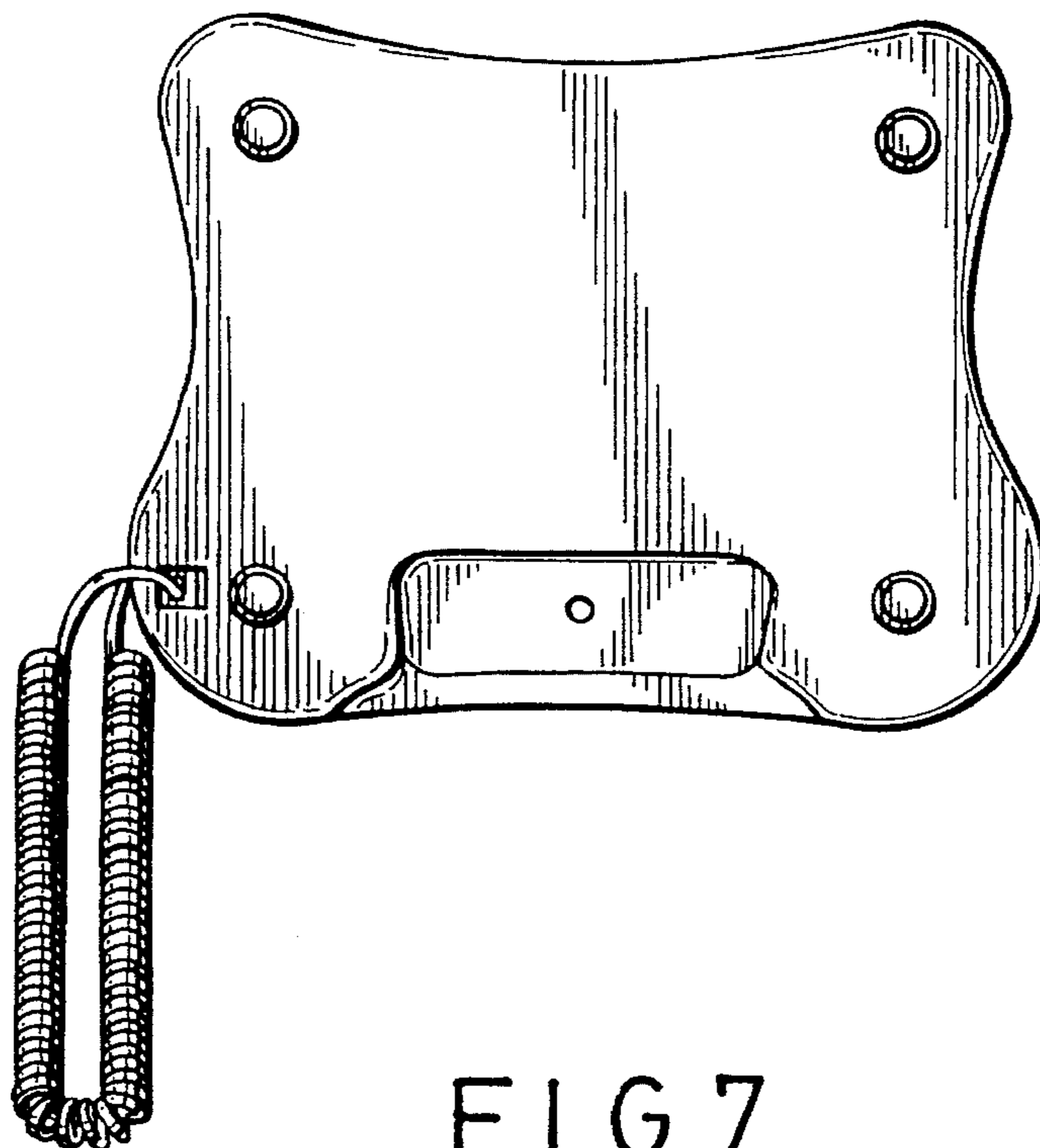


FIG. 7