



US00D365090S

United States Patent [19]

[11] Patent Number: **Des. 365,090**

Jackson et al.

[45] Date of Patent: ****Dec. 12, 1995**

[54] **FRONT BEZEL WITH AN ADAPTER PANEL**

D. 328,737 8/1992 Hill D14/115
D. 333,134 2/1993 Aderman D14/115

[75] Inventors: **Steve C. Jackson**, Loveland; **Matthew Poliakon**, Carr; **Bruce D. Roemmich**, Fort Collins, all of Colo.

Primary Examiner—Freda Nunn
Attorney, Agent, or Firm—Augustus W. Winfield

[73] Assignee: **Hewlett-Packard Company**, Palo Alto, Calif.

[57] **CLAIM**

[**] Term: **14 Years**

The ornamental design for the front bezel with an adapter panel, as shown and described.

[21] Appl. No.: **28,753**

DESCRIPTION

[22] Filed: **Sep. 21, 1994**

[52] U.S. Cl. **D14/115**

[58] **Field of Search** D14/100, 101, D14/107, 115, 107-109, 257, 258; D13/162, 184, 199; 312/223.2; 358/249, 254; 361/600, 622, 724-728

FIG. 1 is a reduced top front and right side perspective view of a front bezel with an adapter panel;
FIG. 2 is a front view;
FIG. 3 is a top view;
FIG. 4 is a bottom view;
FIG. 5 is a left view; and,
FIG. 6 is a right view.

The broken lines of FIG. 1 are for illustrative purposes only and form no part of the claimed design.

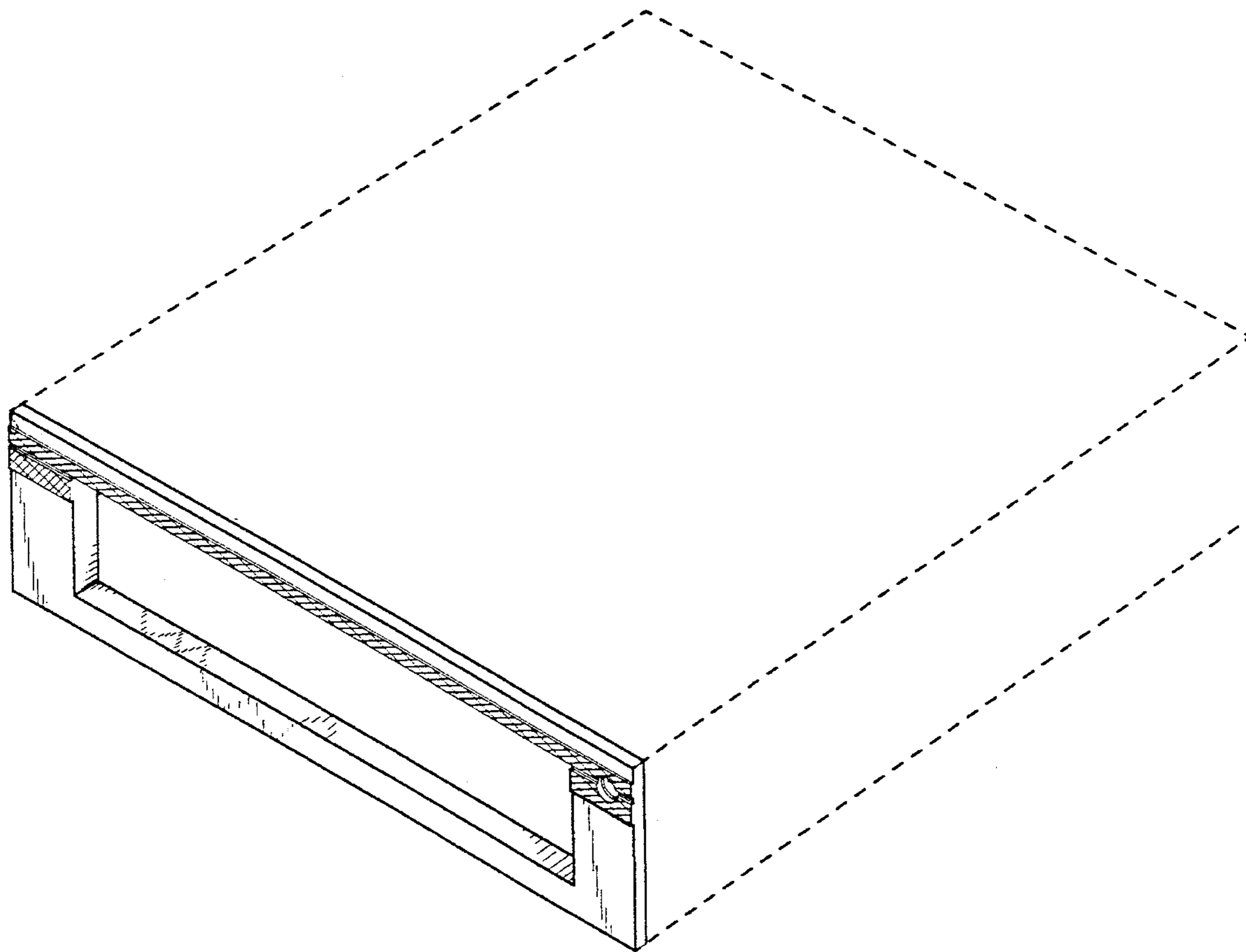
The areas identified by the pattern in FIGS. 1 and 2 represent the color black.

[56] **References Cited**

U.S. PATENT DOCUMENTS

D. 304,333 10/1989 Kerezman et al. D14/115 X

1 Claim, 4 Drawing Sheets



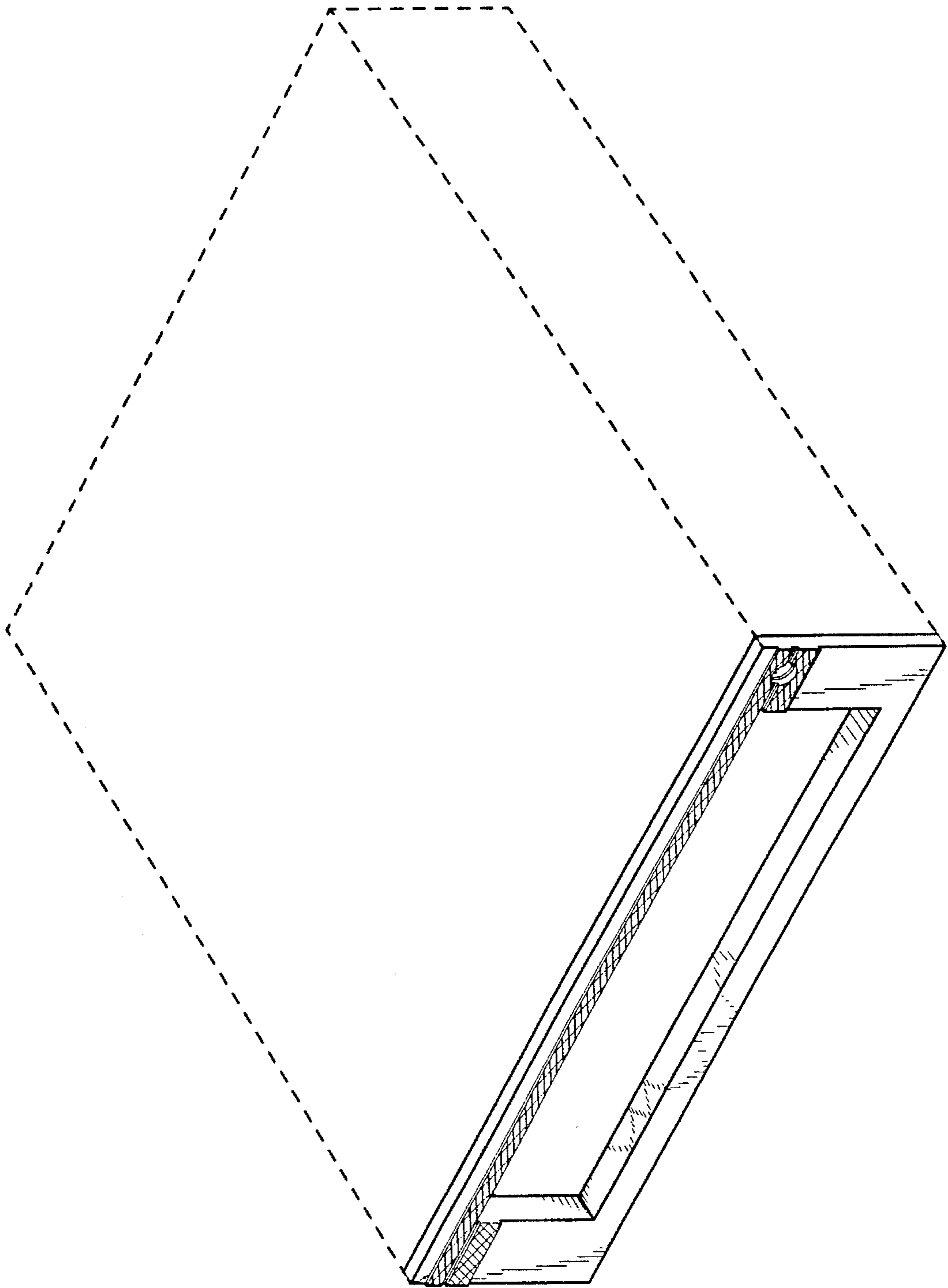


FIG 1

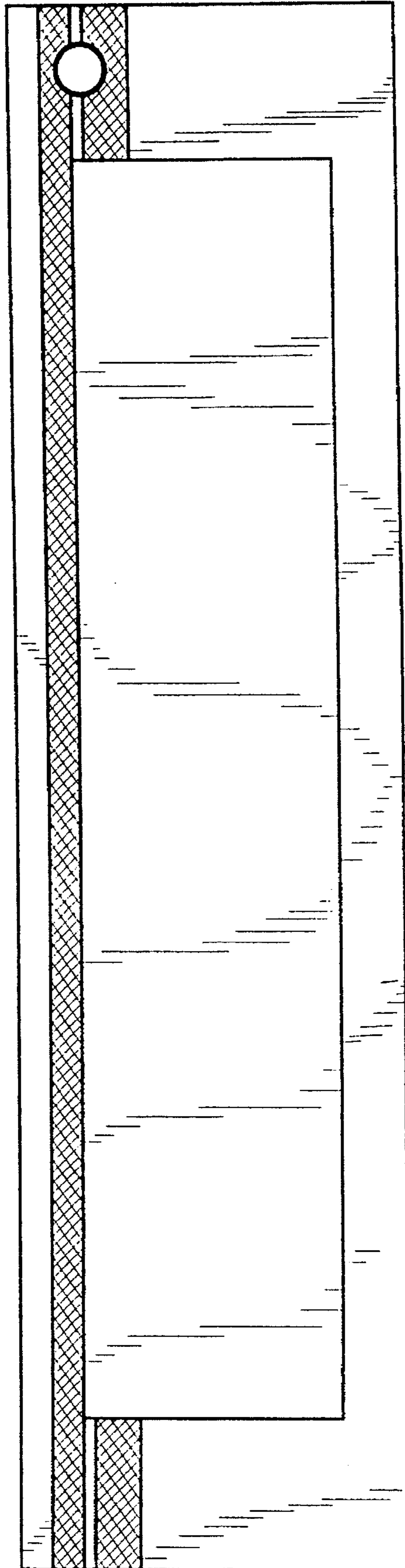


FIG 2

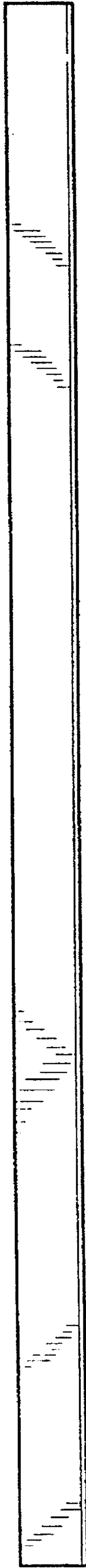


FIG 3

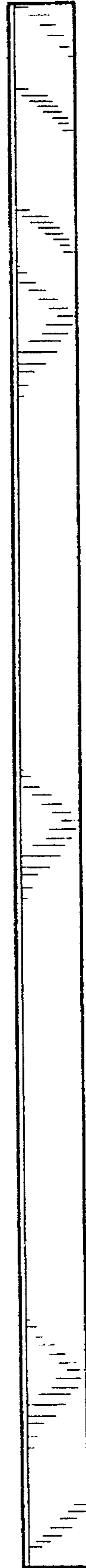


FIG 4

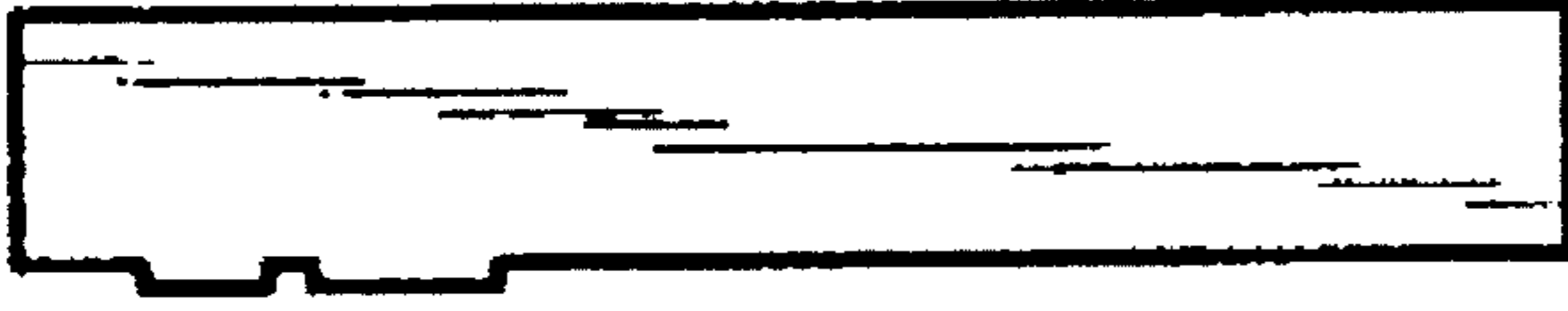


FIG 6

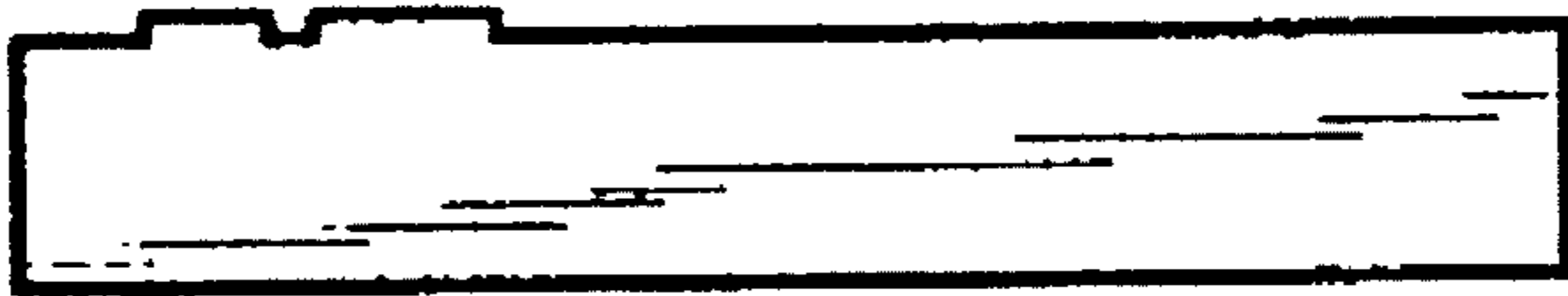


FIG 5