



US00D365089S

United States Patent [19]

[11] **Patent Number: Des. 365,089**

Jackson et al.

[45] **Date of Patent: **Dec. 12, 1995**

[54] **FRONT BEZEL WITH AN ADAPTER PANEL**

D. 328,737 8/1992 Hill D14/115
D. 333,134 2/1993 Aderman D14/115

[75] Inventors: **Steve C. Jackson**, Loveland; **Matthew Poliakon**, Carr; **Bruce D. Roemmich**, Fort Collins, all of Colo.

Primary Examiner—Freda S. Nunn
Attorney, Agent, or Firm—Augustus W. Winfield

[73] Assignee: **Hewlett-Packard Company**, Palo Alto, Calif.

[57] **CLAIM**

[**] Term: **14 Years**

The ornamental design for the front bezel with an adapter panel, as shown and described.

[21] Appl. No.: **28,752**

DESCRIPTION

[22] Filed: **Sep. 21, 1994**

FIG. 1 is a reduced top front and right side perspective view of a front bezel with an adapter panel;

[52] U.S. Cl. **D14/115**

FIG. 2 is a front view;

[58] **Field of Search** D14/100, 101, D14/102, 109, 107, 108, 115, 257, 258; D13/162, 184, 199; 312/223.2; 358/249, 254; 361/600, 622, 724-728

FIG. 3 is a top view;

FIG. 4 is a bottom view;

FIG. 5 is a left view; and,

FIG. 6 is a right view.

The broken lines of FIG. 1 are for illustrative purposes only and form no part of the claimed design.

The areas identified by the pattern in FIGS. 1 and 2 represent the color black.

[56] **References Cited**

U.S. PATENT DOCUMENTS

D. 304,333 10/1989 Kerezman et al. D14/115 X

1 Claim, 4 Drawing Sheets

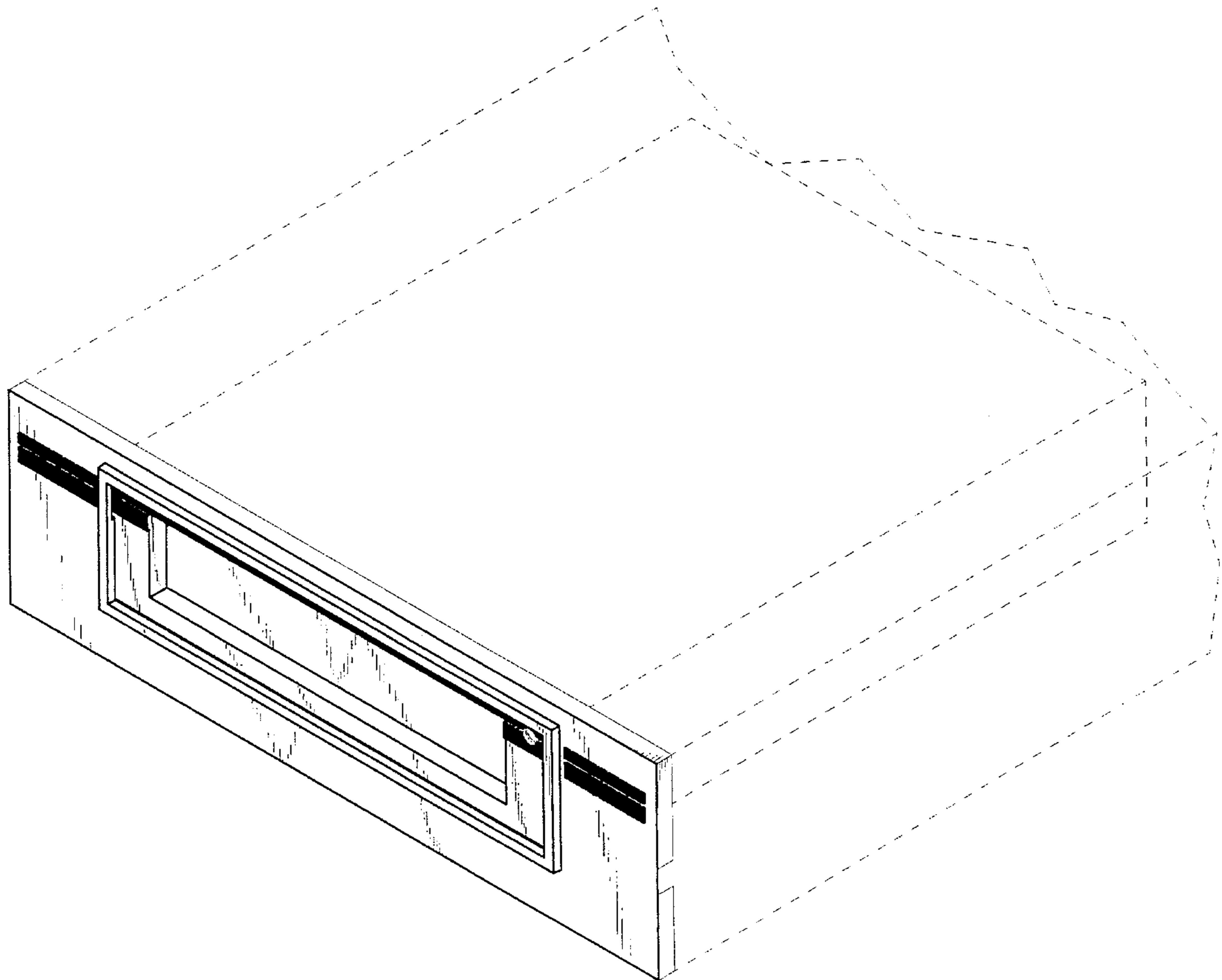
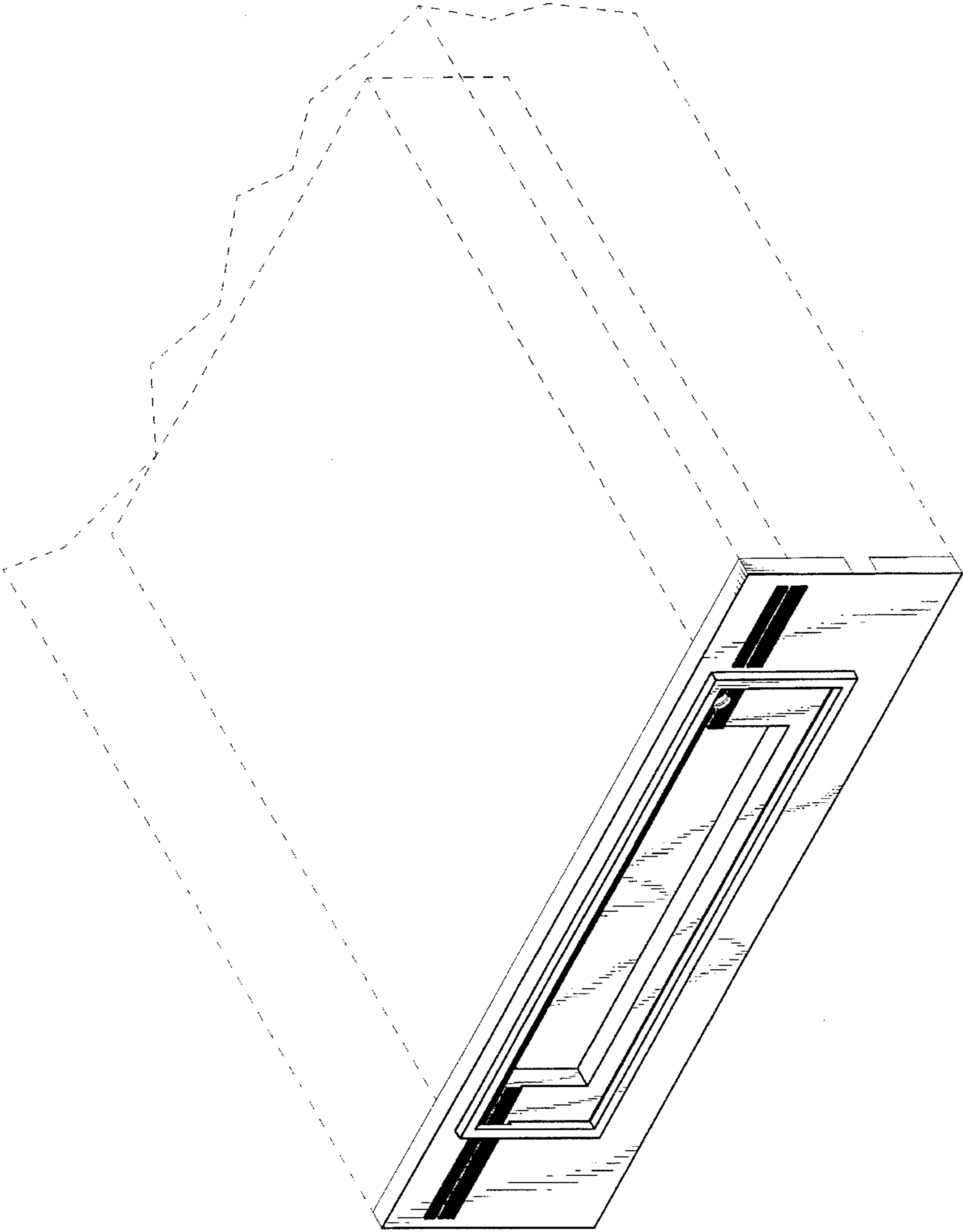


FIG 1



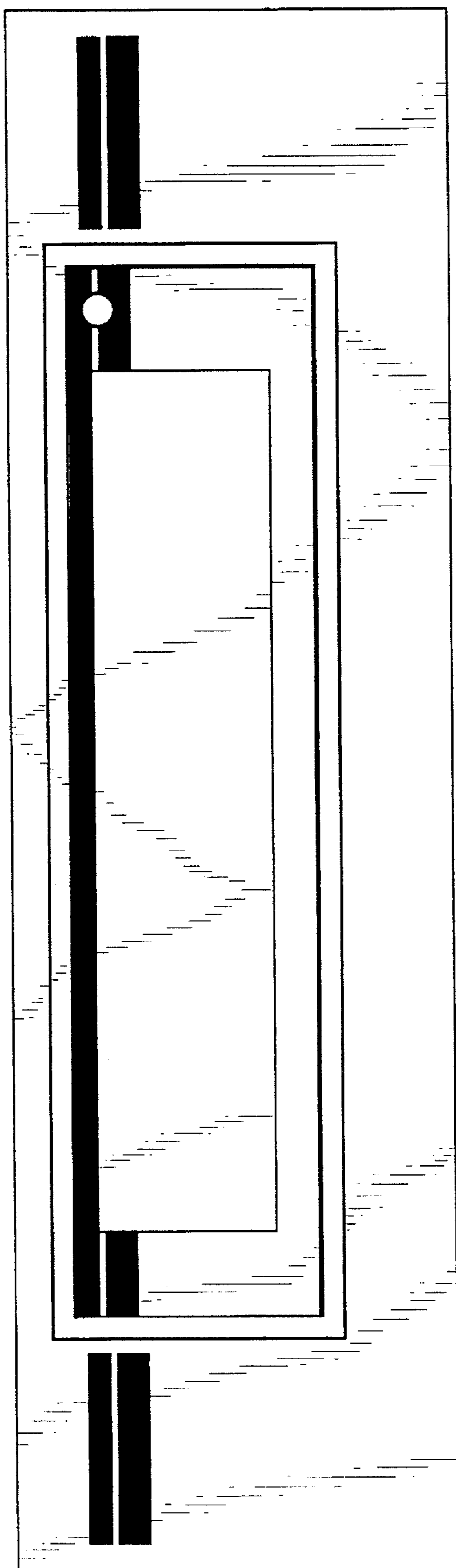


FIG 2



FIG 3

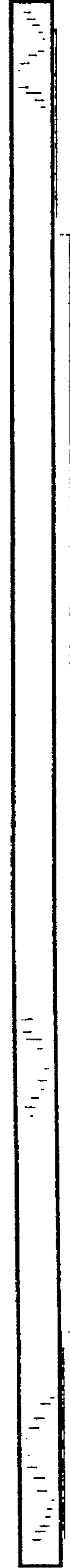


FIG 4

FIG 5

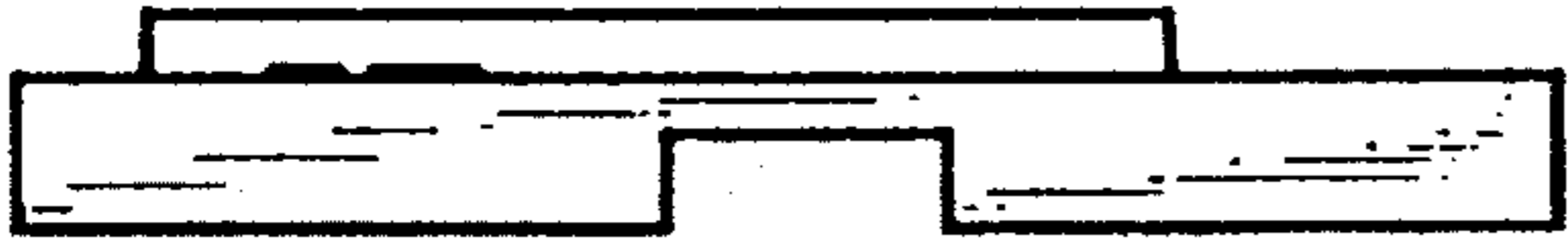


FIG 6

