



US00D365083S

United States Patent [19]
Hedrick

[11] **Patent Number: Des. 365,083**

[45] **Date of Patent: **Dec. 12, 1995**

[54] **ELECTRICAL PLUG BODY**

321409 10/1929 United Kingdom 439/692
383815 11/1932 United Kingdom 439/692

[75] Inventor: **Paul A. Hedrick**, West Greenwich, R.I.

Primary Examiner—Joel Sincavage
Attorney, Agent, or Firm—Frost & Jacobs

[73] Assignee: **General Cable Industries, Inc.**,
Highland Heights, Ky.

[57] **CLAIM**

[**] Term: **14 Years**

The ornamental design for an electrical plug body, as shown and described.

[21] Appl. No.: **11,727**

DESCRIPTION

[22] Filed: **Aug. 13, 1993**

[52] U.S. Cl. **D13/138**

[58] **Field of Search** D13/137, 138,
D13/141; 439/483, 484, 449, 474, 606,
692, 694

FIG. 1 is a perspective view of the instant electrical plug body. The broken line showing of a pair of electrical plug blades is included for the purpose of illustrating environmental structure only and forms no part of the claimed design;

[56] **References Cited**

U.S. PATENT DOCUMENTS

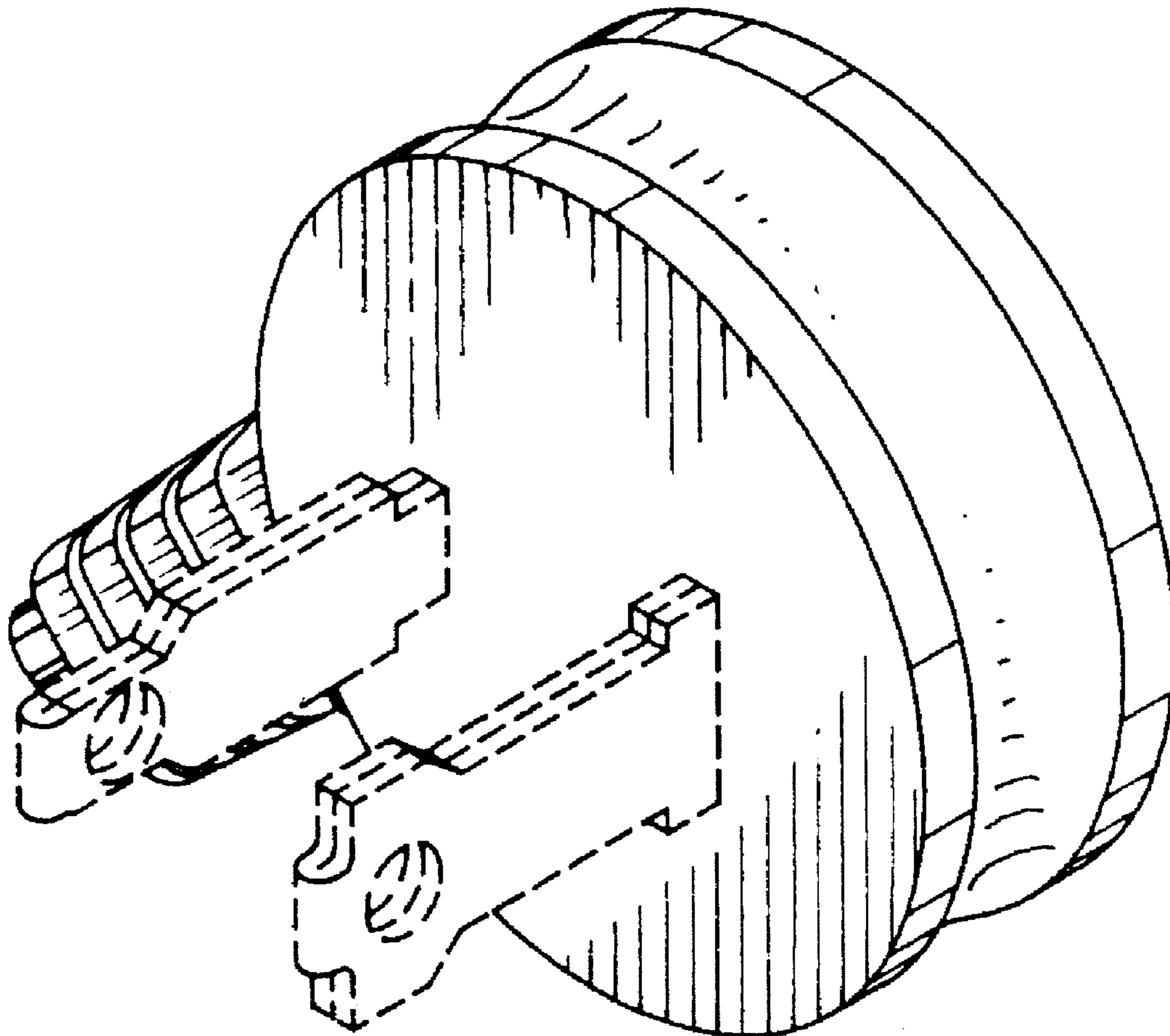
2,541,239 2/1951 Grassle 439/694

FOREIGN PATENT DOCUMENTS

294047 7/1928 United Kingdom 439/692

FIG. 2 is a front view thereof;
FIG. 3 is a rear view thereof;
FIG. 4 is a bottom view thereof;
FIG. 5 is a top view thereof;
FIG. 6 is a left side view thereof; and,
FIG. 7 is a right side view thereof.

1 Claim, 1 Drawing Sheet



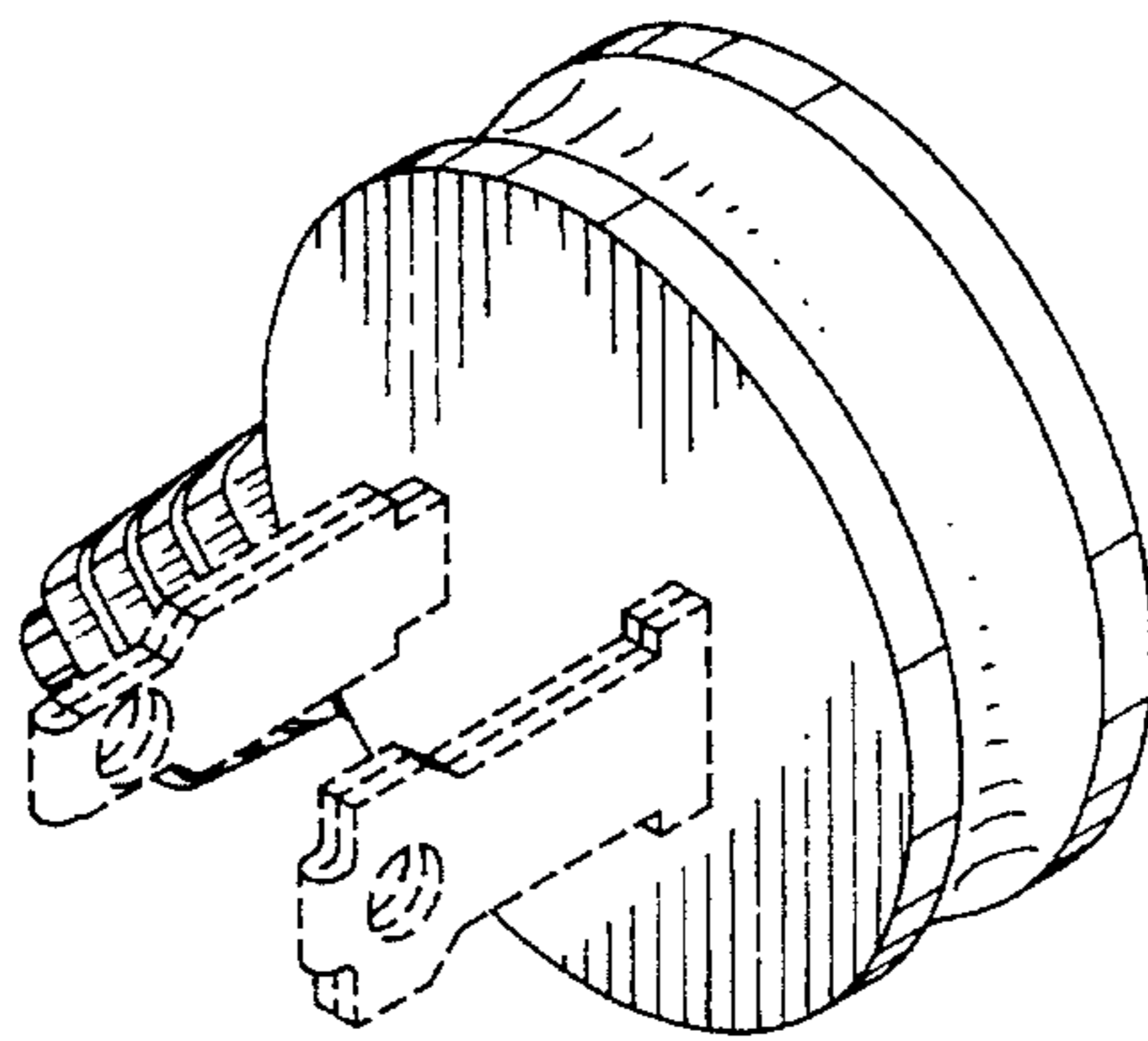


FIG. 1

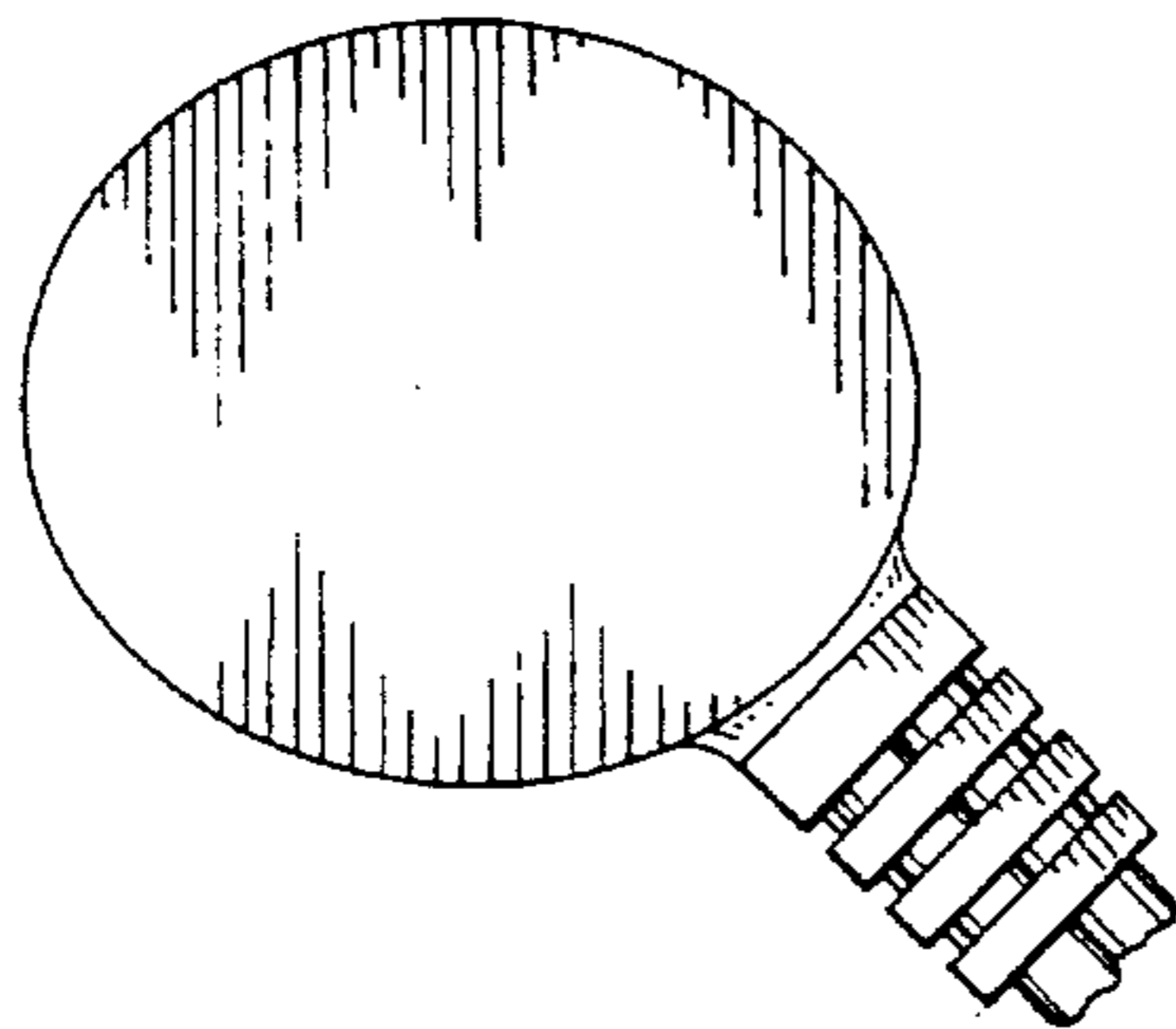


FIG. 2

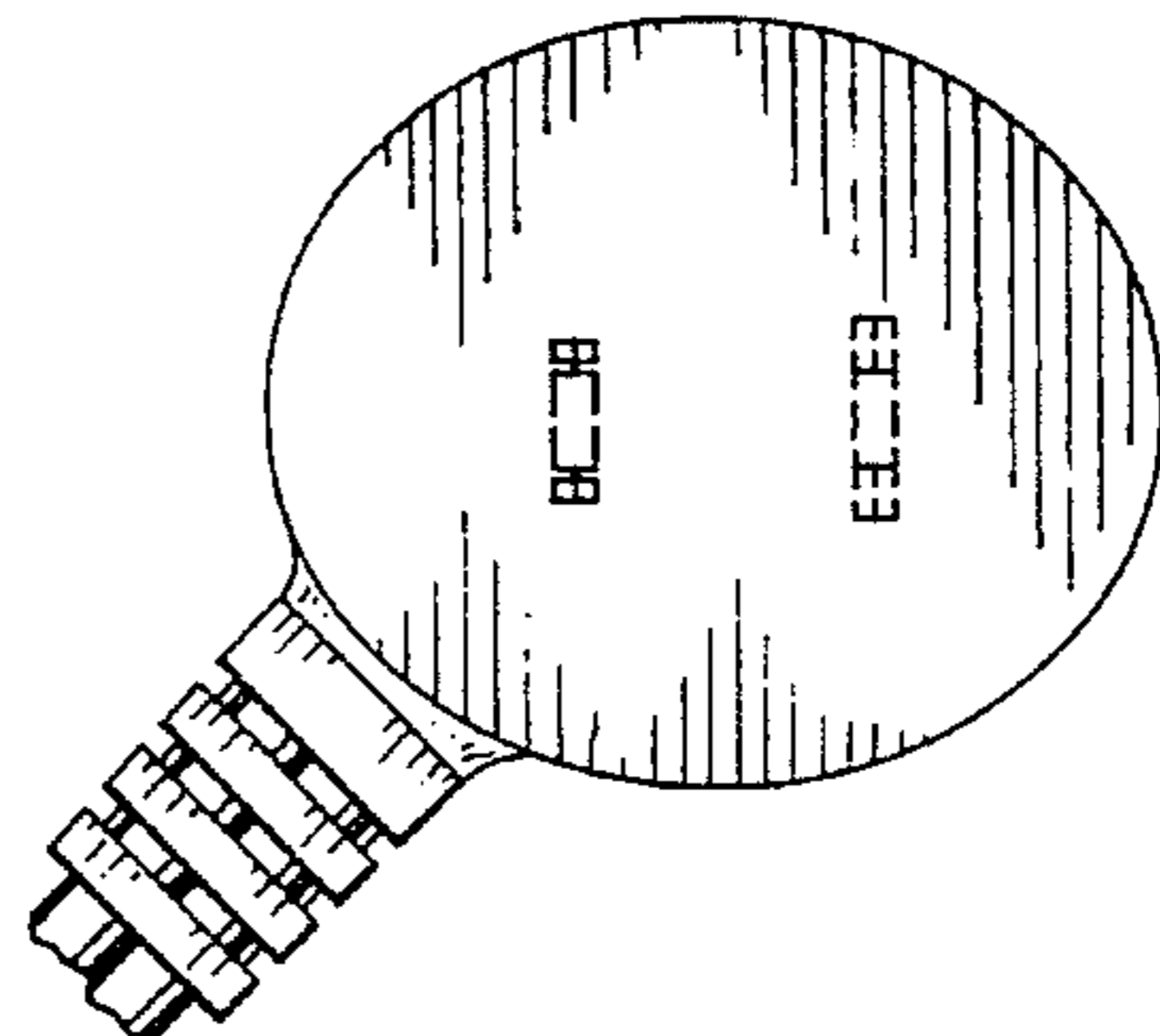


FIG. 3

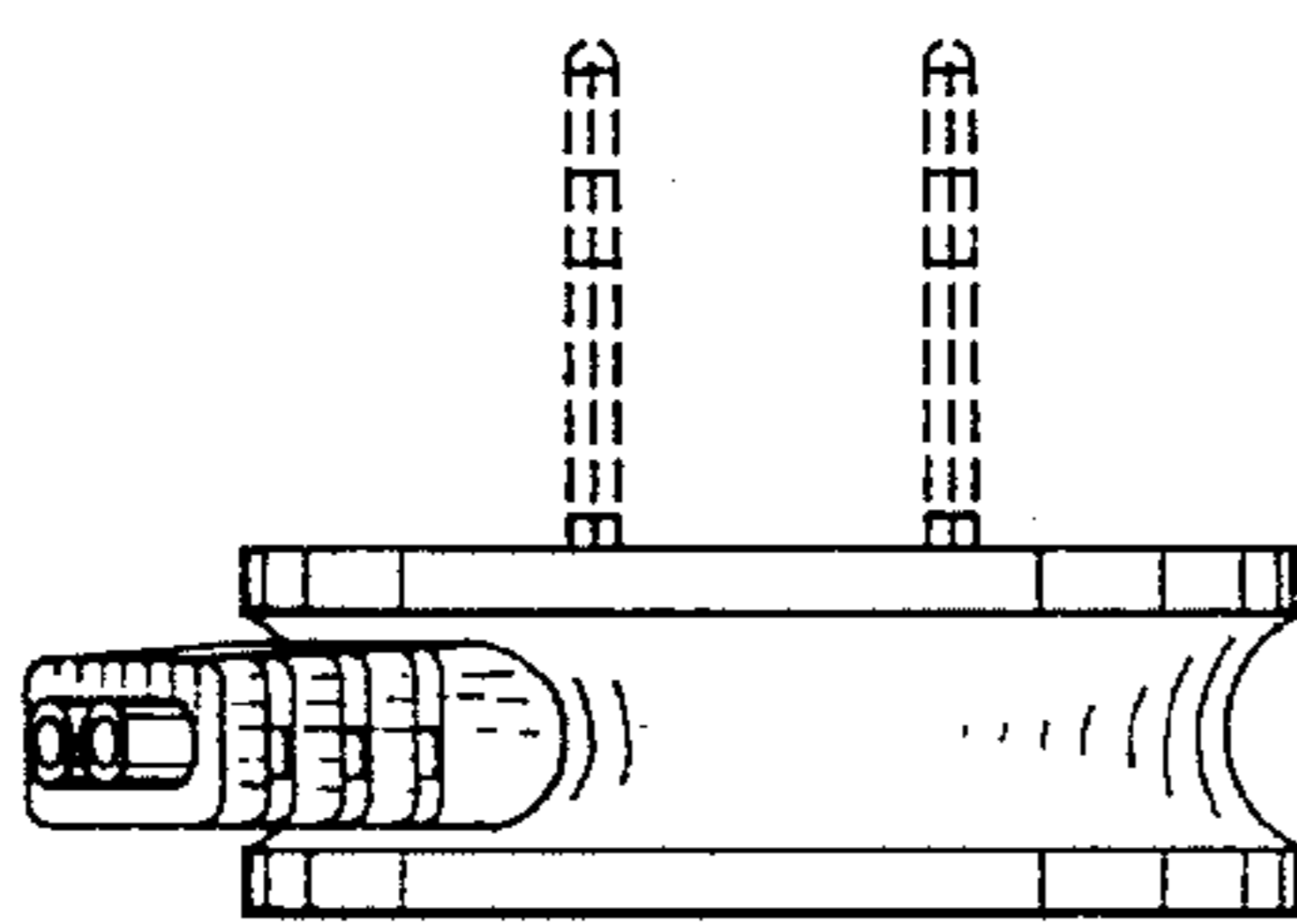


FIG. 4

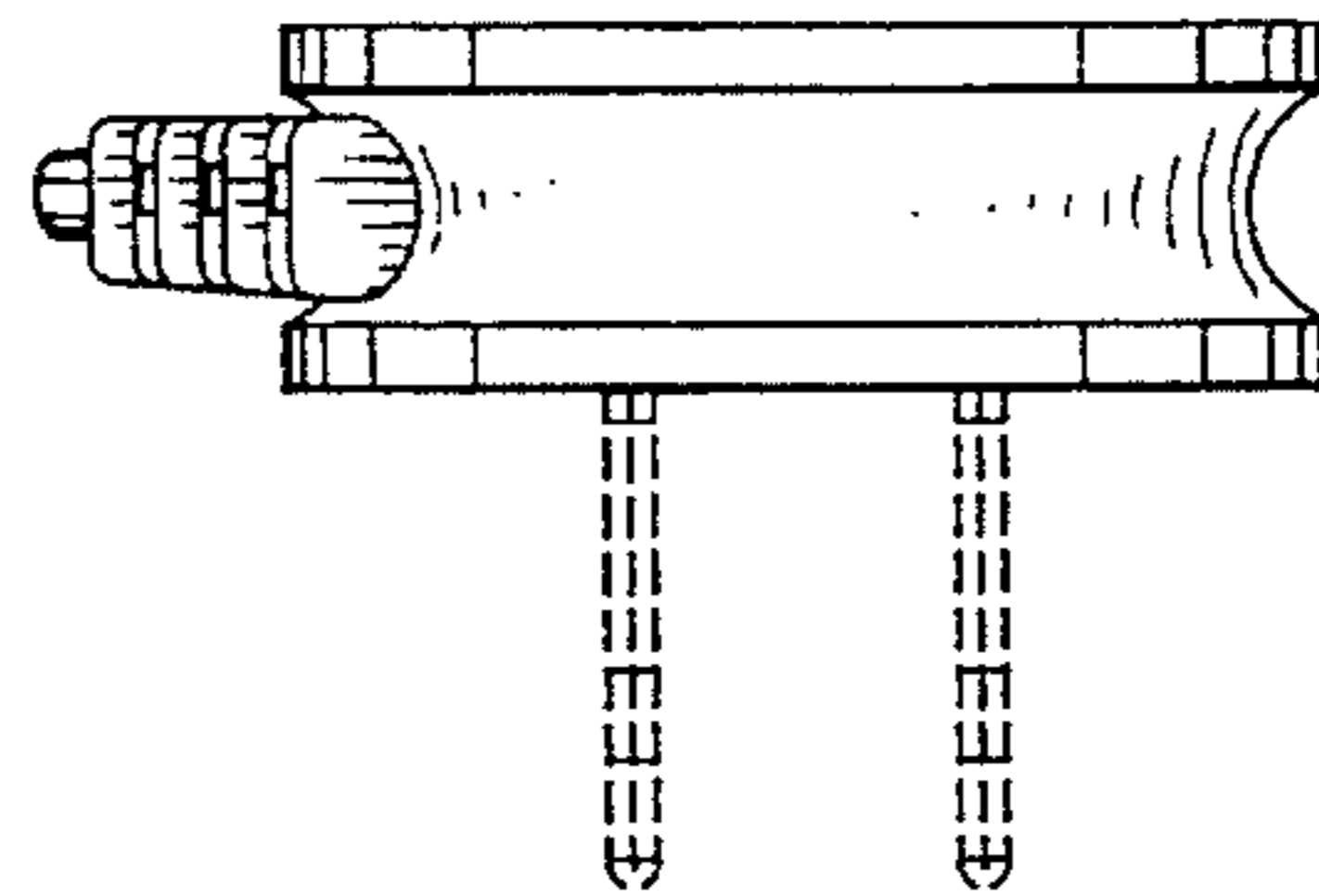


FIG. 5

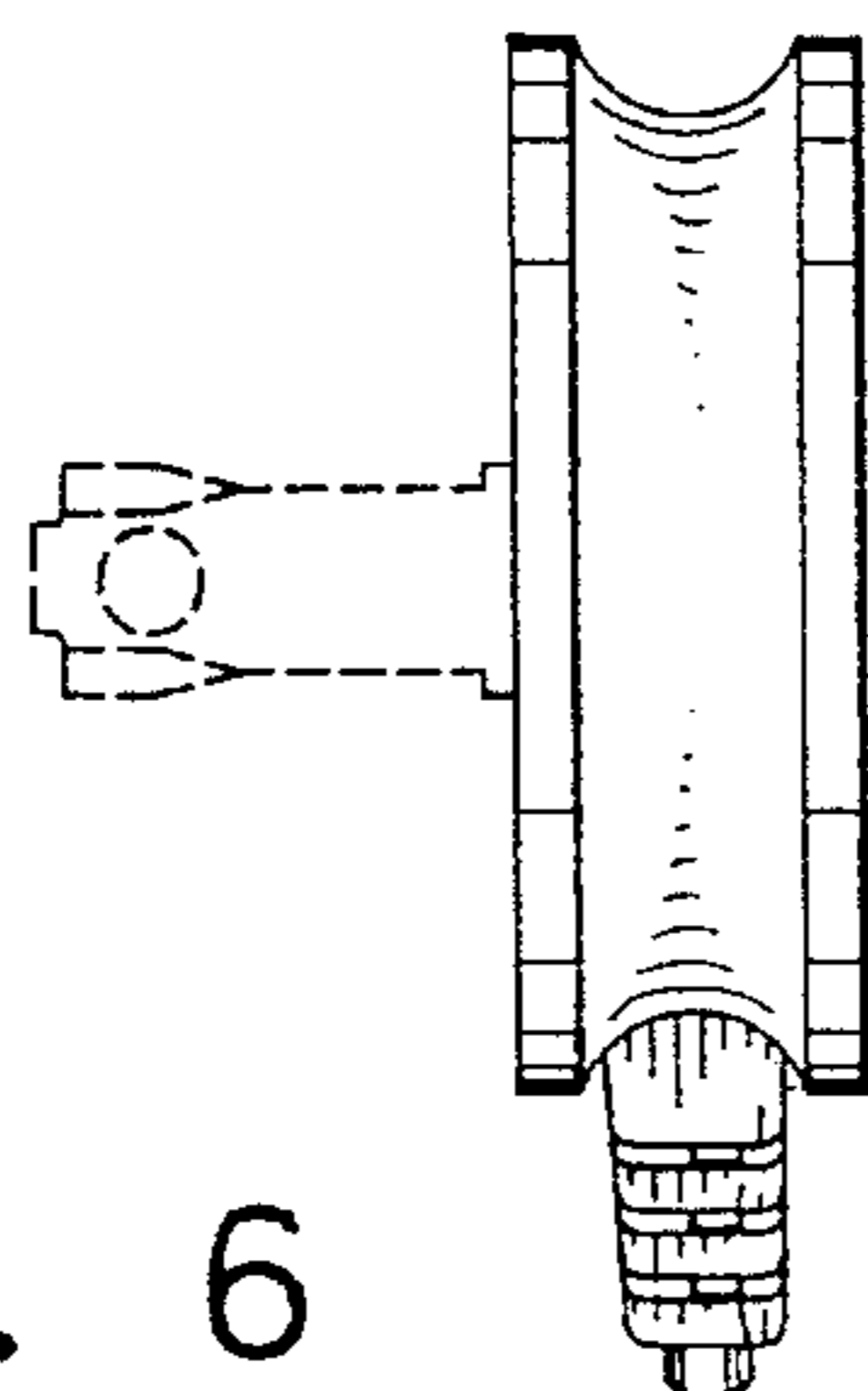


FIG. 6

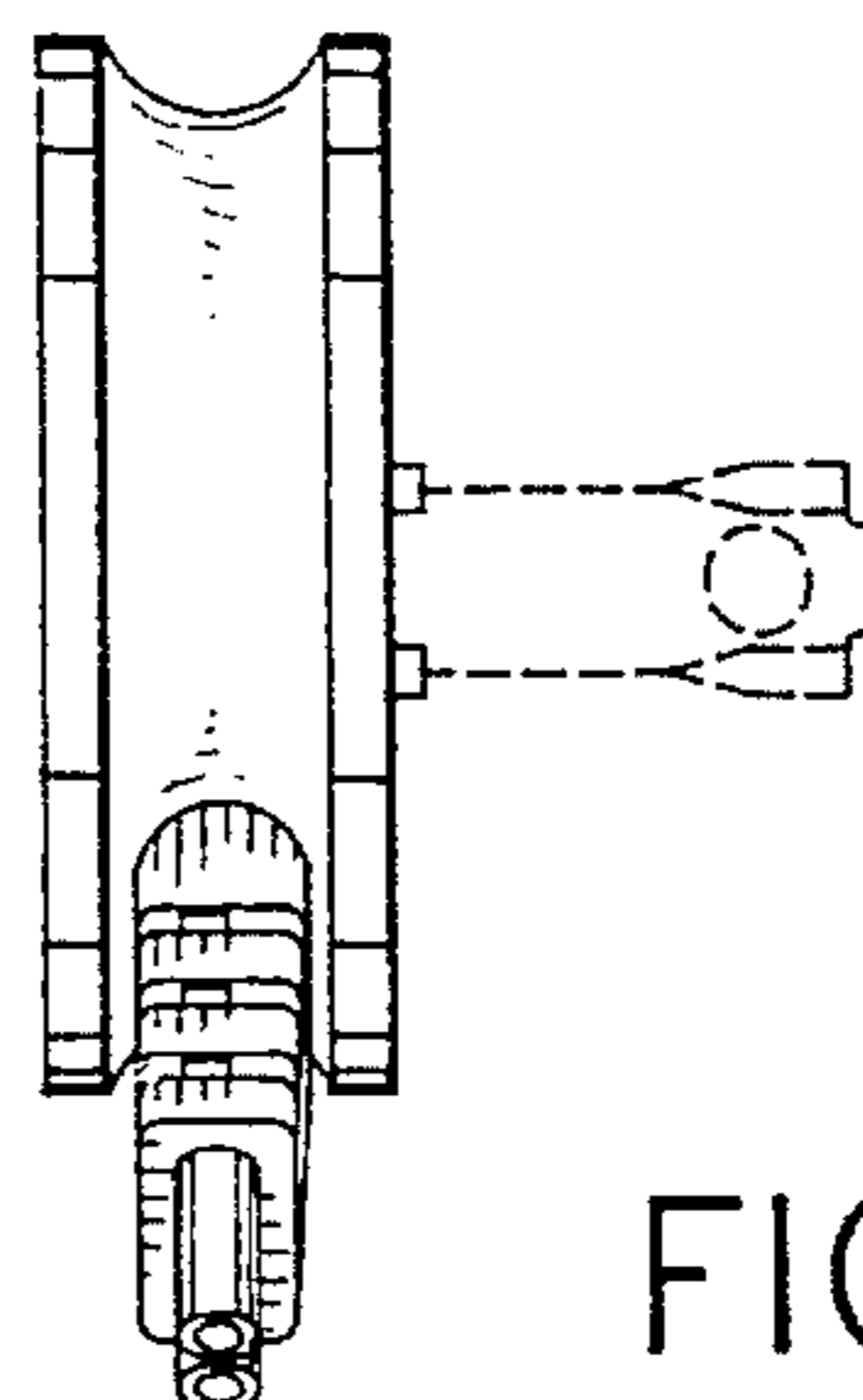


FIG. 7