



US00D365081S

United States Patent [19] Rodriguez

[11] Patent Number: **Des. 365,081**
[45] Date of Patent: ****Dec. 12, 1995**

[54] HIGH DENSITY DC-DC CONVERTER

- [75] Inventor: **Edward T. Rodriguez**, Winchester, Mass.
- [73] Assignee: **Power Micro, Inc.**, Chelmsford, Mass.
- [**] Term: **14 Years**
- [21] Appl. No.: **12,547**
- [22] Filed: **Aug. 30, 1993**
- [52] U.S. Cl. **D13/110**
- [58] Field of Search D13/110; 307/150; 363/15, 34, 143, 146; 361/111, 752, 823; 220/3.8

OTHER PUBLICATIONS

- Powercube power supply on p. 180 of *EDN*, Feb. 17, 1992.
- Lamba converter on p. 76 of *Electronic Design*, Feb. 18, 1993.
- AT&T power module on p. 37 of *Electronic Design*, Jun. 24, 1993.
- IPD power supply on International Power Devices literature.

Primary Examiner—Joel Sincavage
Attorney, Agent, or Firm—Edwin H. Paul; Jerry Cohen

[57] CLAIM

The ornamental design for a high density DC-DC converter, as shown and described.

[56] References Cited

U.S. PATENT DOCUMENTS

D. 297,928	10/1988	Harpley et al.	D13/110
D. 334,171	3/1993	McDonnal	D13/110
D. 340,222	10/1993	Bedell	D13/110
D. 340,907	11/1993	Smith et al.	D13/110
D. 344,928	3/1994	Vinciarelli et al.	D13/110
D. 345,959	4/1994	Cooper	D13/110
3,495,024	2/1970	Bowman	220/3.8 X
3,621,112	11/1971	Sticklely et al.	D13/110 X
4,156,222	5/1979	Rossmann et al.	D13/110 X
4,827,502	5/1989	Suffi et al.	361/823 X
5,119,266	6/1992	Petry	361/111
5,130,893	7/1992	Straate et al.	361/752 X

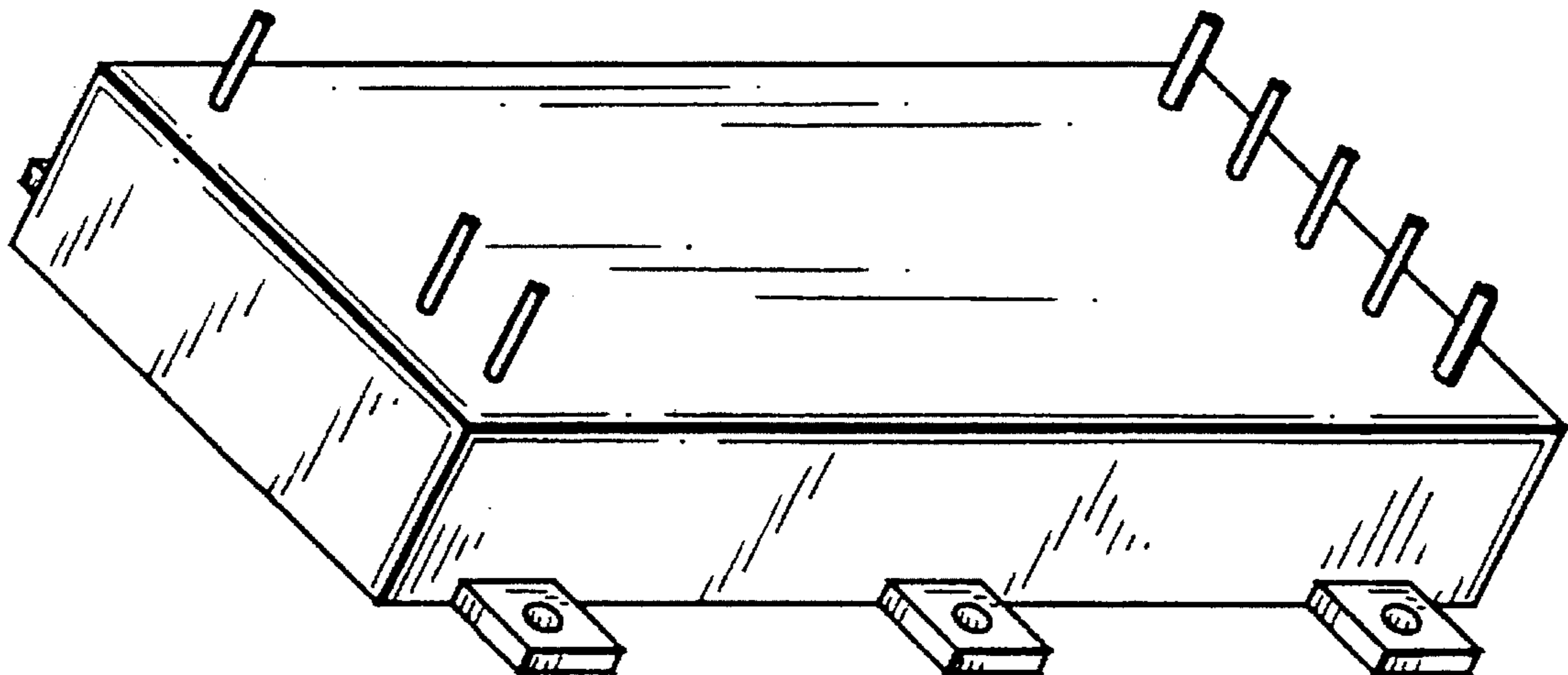
FOREIGN PATENT DOCUMENTS

92003031	2/1992	WIPO	D13/110 X
----------	--------	------------	-----------

DESCRIPTION

- FIGS. 1 and 2 are bottom and top vantage point isometric views showing my new design for a high density DC-DC converter;
- FIG. 3 is a top plan view of the high density DC-DC converter of FIG. 1;
- FIG. 4 is a side elevational view thereof, the opposite side being a mirror image of the high density DC-DC converter;
- FIG. 5 is a bottom plan view thereof;
- FIG. 6 is an end elevational view of the high density DC-DC converter; and,
- FIG. 7 is an end elevational view thereof of the opposite side of the high density DC-DC converter of FIG. 6.

1 Claim, 3 Drawing Sheets



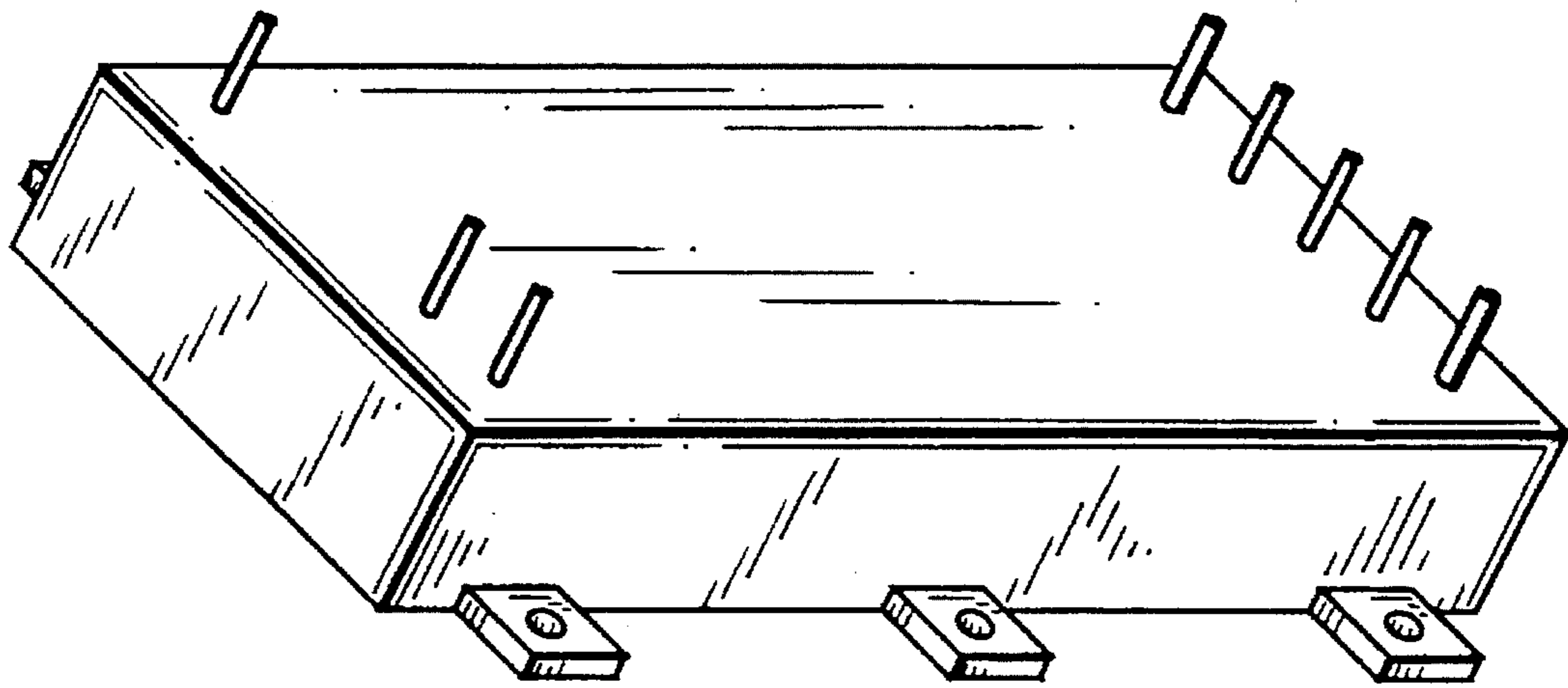


FIG. 1

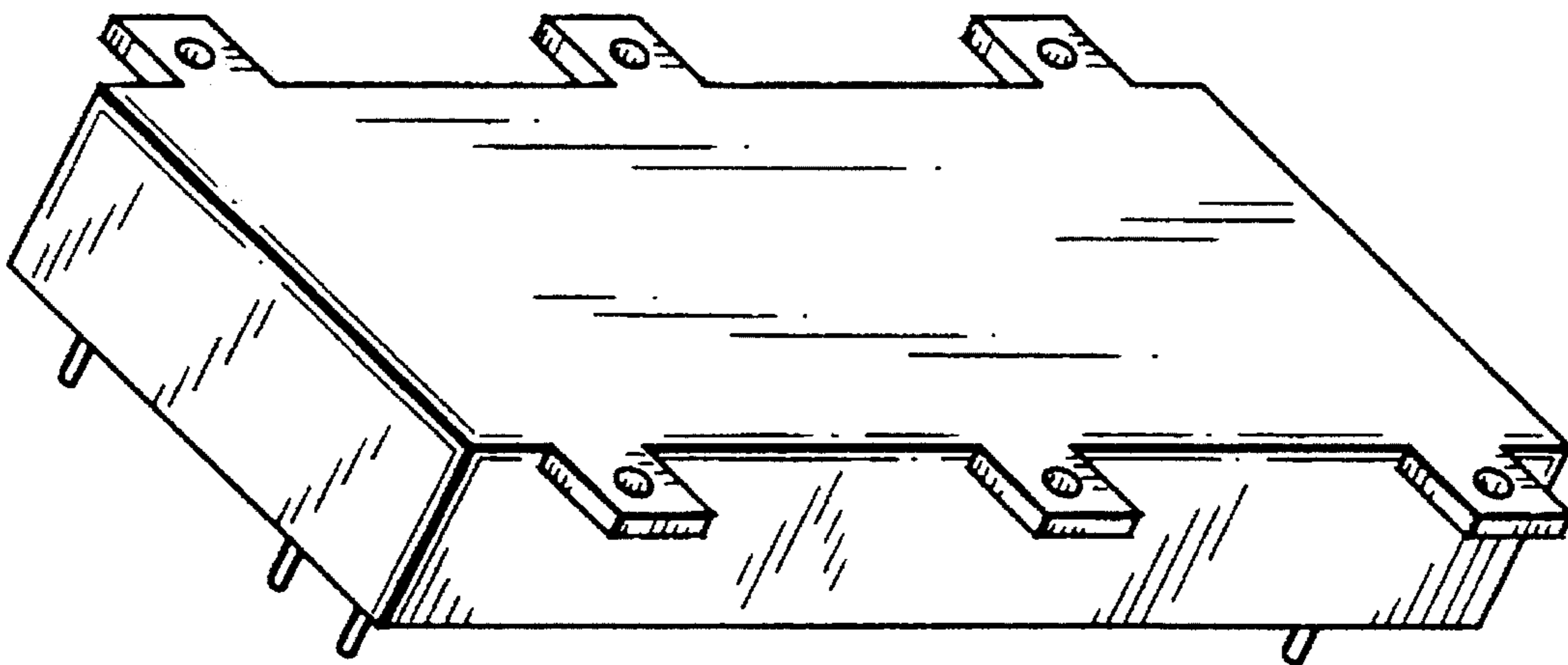


FIG. 2

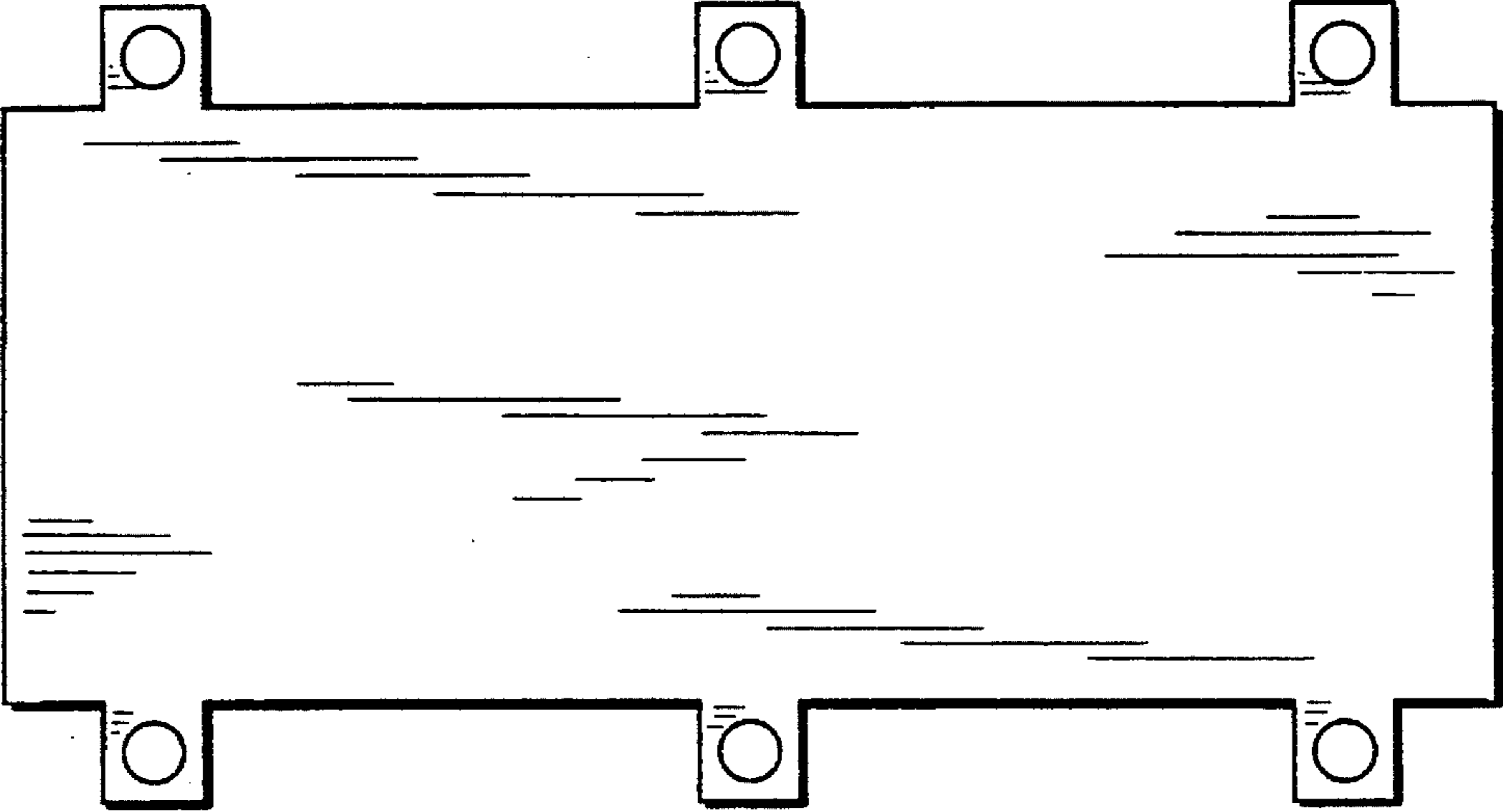


FIG. 3

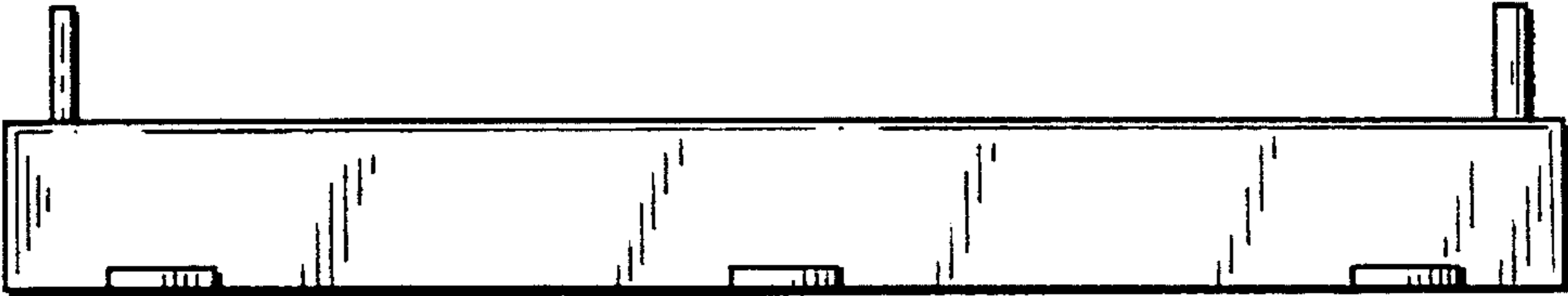


FIG. 4

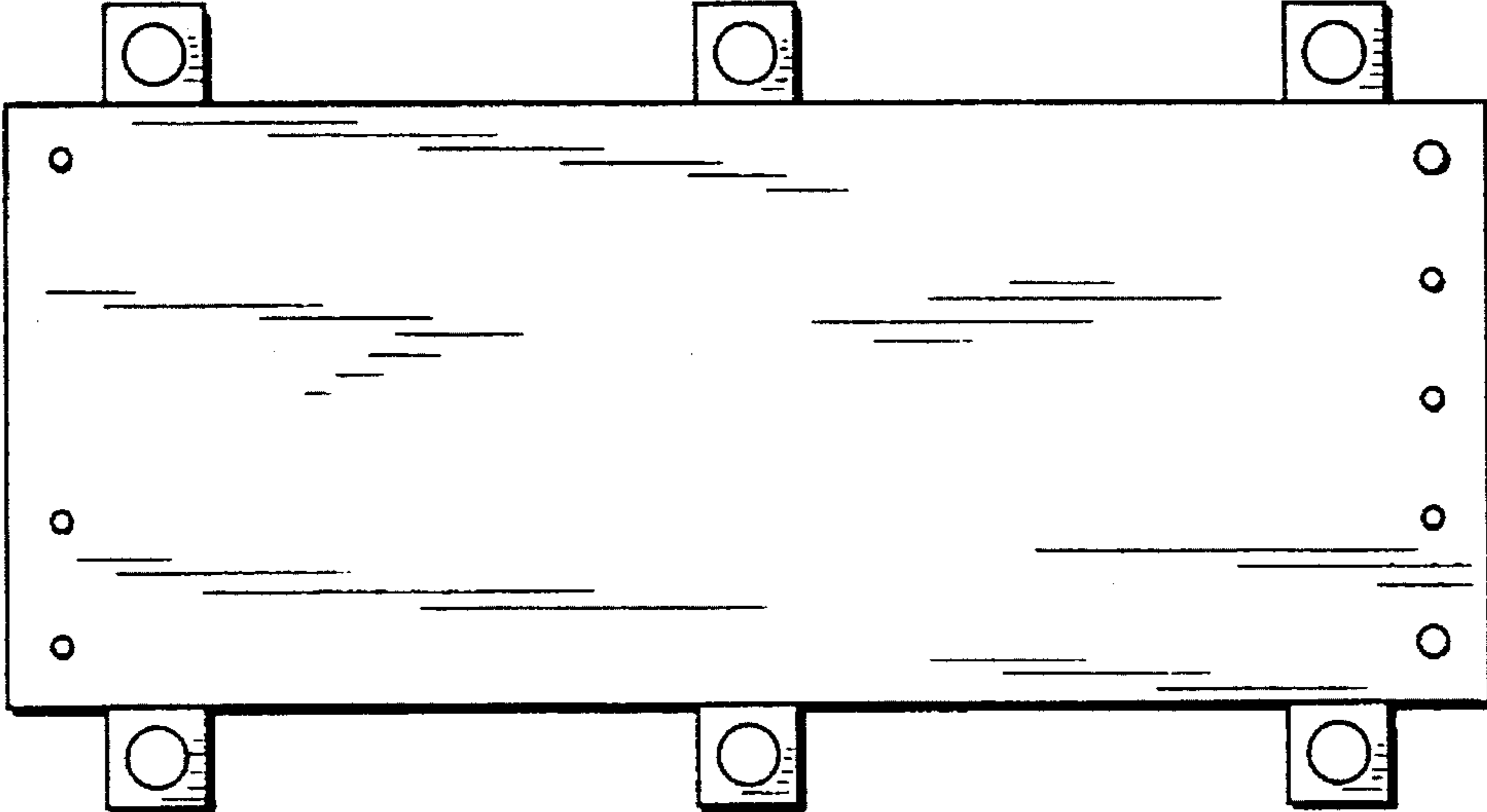


FIG. 5

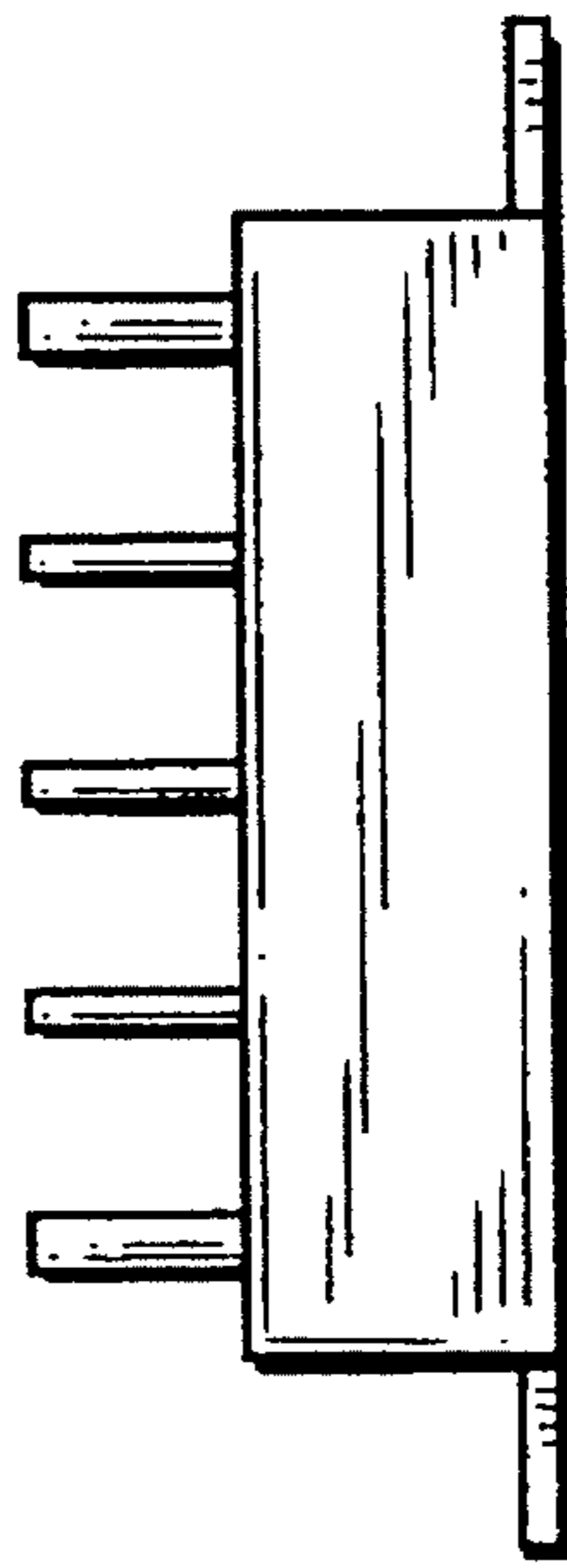


FIG. 6

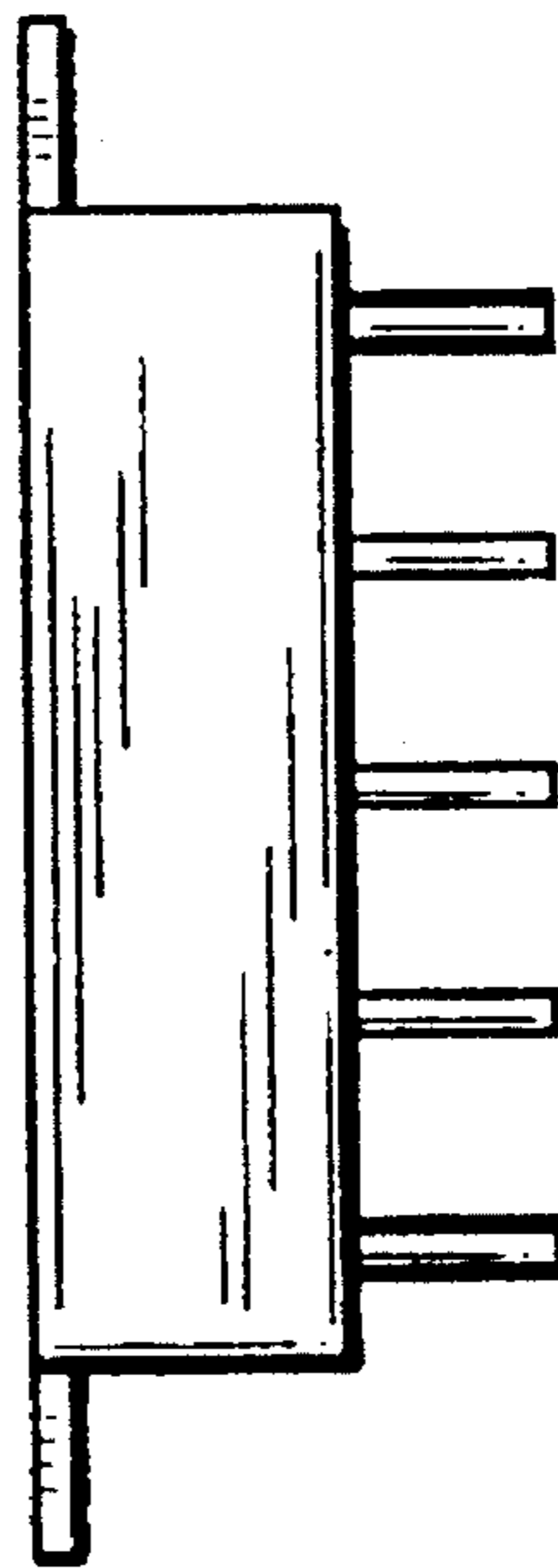


FIG. 7