



US00D365080S

United States Patent [19]

[11] Patent Number: **Des. 365,080**

Loughlin

[45] Date of Patent: ****Dec. 12, 1995**

[54] **ROLLER MOUNTED DECK FOR PICK-UP TRUCKS**

5,161,851 11/1992 Rafi-Zadeh 296/100

[76] Inventor: **John P. Loughlin**, 28 S. Bower St.,
Shenandoah, Pa. 17976

Primary Examiner—A. Hugo Word
Assistant Examiner—Lavone D. Tabor
Attorney, Agent, or Firm—Terry M. Gernstein

[**] Term: **14 Years**

[57] **CLAIM**

[21] Appl. No.: **28,686**

The ornamental design for a roller mounted deck for pick-up trucks, as shown and described.

[22] Filed: **Sep. 20, 1994**

[52] U.S. Cl. **D12/401**

DESCRIPTION

[58] Field of Search D12/401; 296/98,
296/99.1, 100; 160/26, 33, 133

FIG. 1 is a front, top and side perspective view of the roller mounted deck for pick-up trucks showing my new design; FIG. 2 is a front elevational view thereof, the rear being a mirror image of the front shown in FIG. 2;

[56] References Cited

U.S. PATENT DOCUMENTS

3,420,570	1/1969	Kunz	296/100
3,866,972	2/1975	Reese	296/100
4,889,381	12/1989	Tamblyn et al.	296/98
4,923,240	5/1990	Swanson	296/100
5,040,843	8/1991	Russell	296/100

FIG. 3 is a side elevational view thereof, the side opposite being a mirror image of the side shown in FIG. 3;

FIG. 4 is a top plan view thereof; and,

FIG. 5 is a bottom plan view thereof.

1 Claim, 3 Drawing Sheets

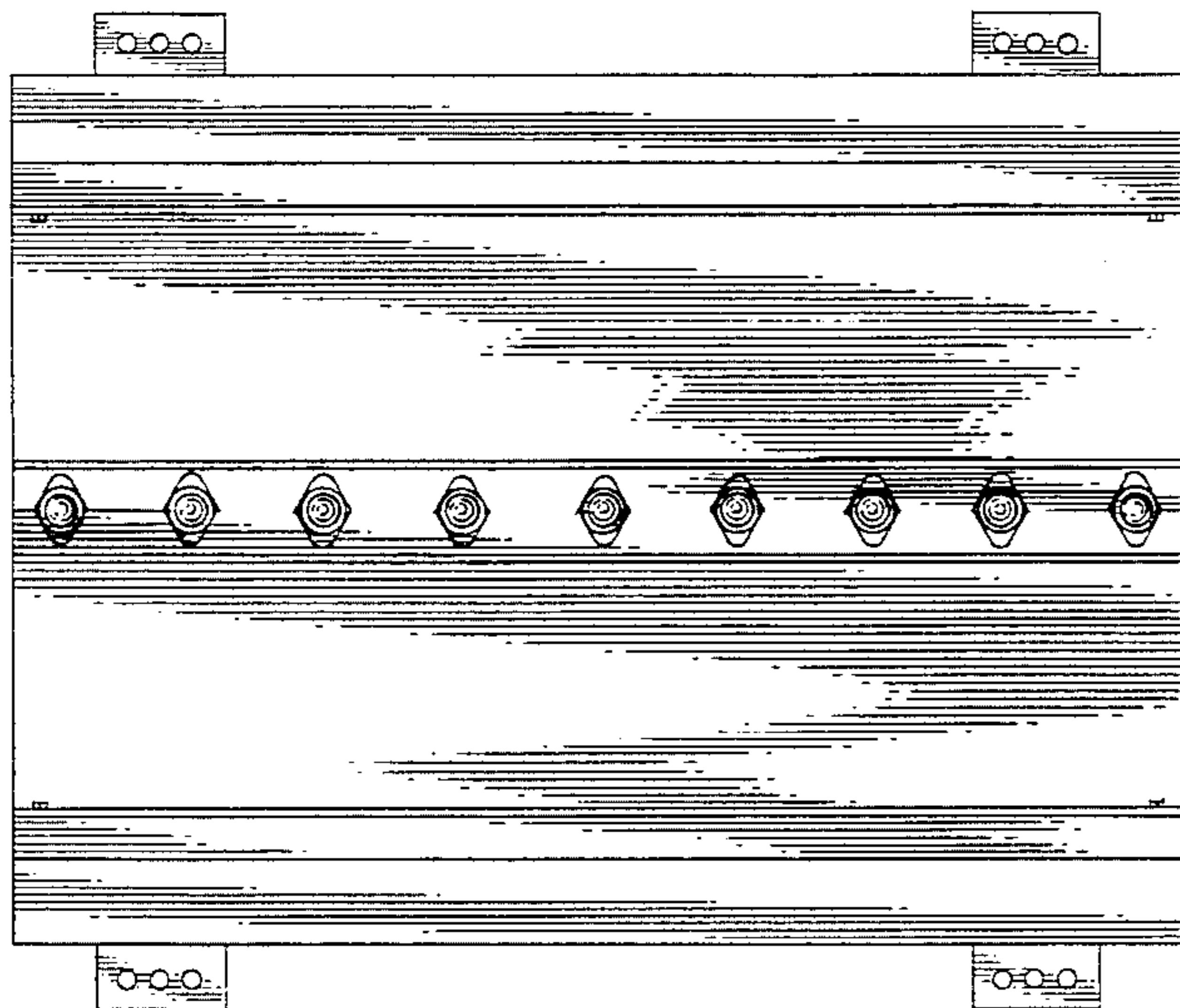
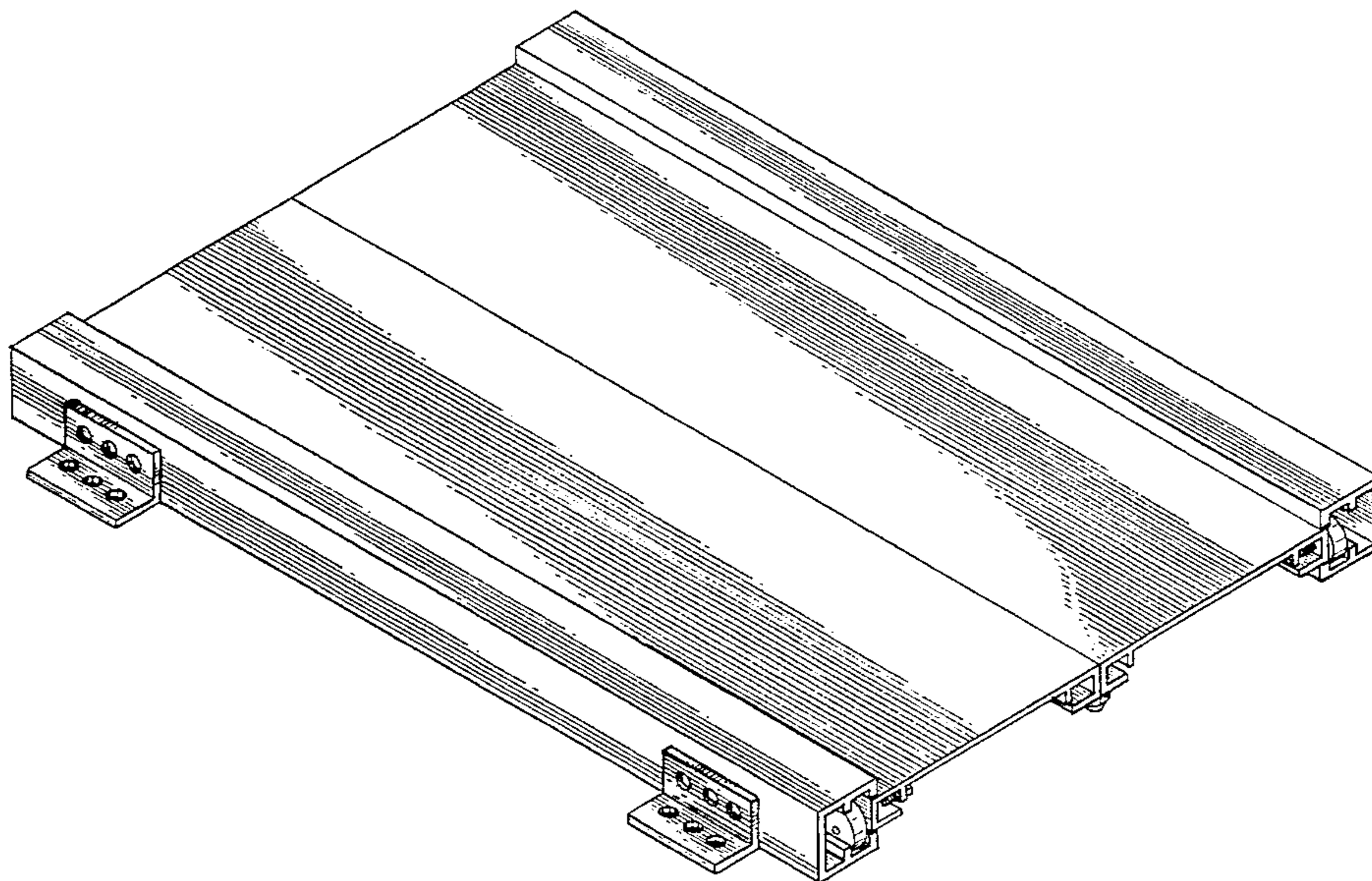


FIG. 1

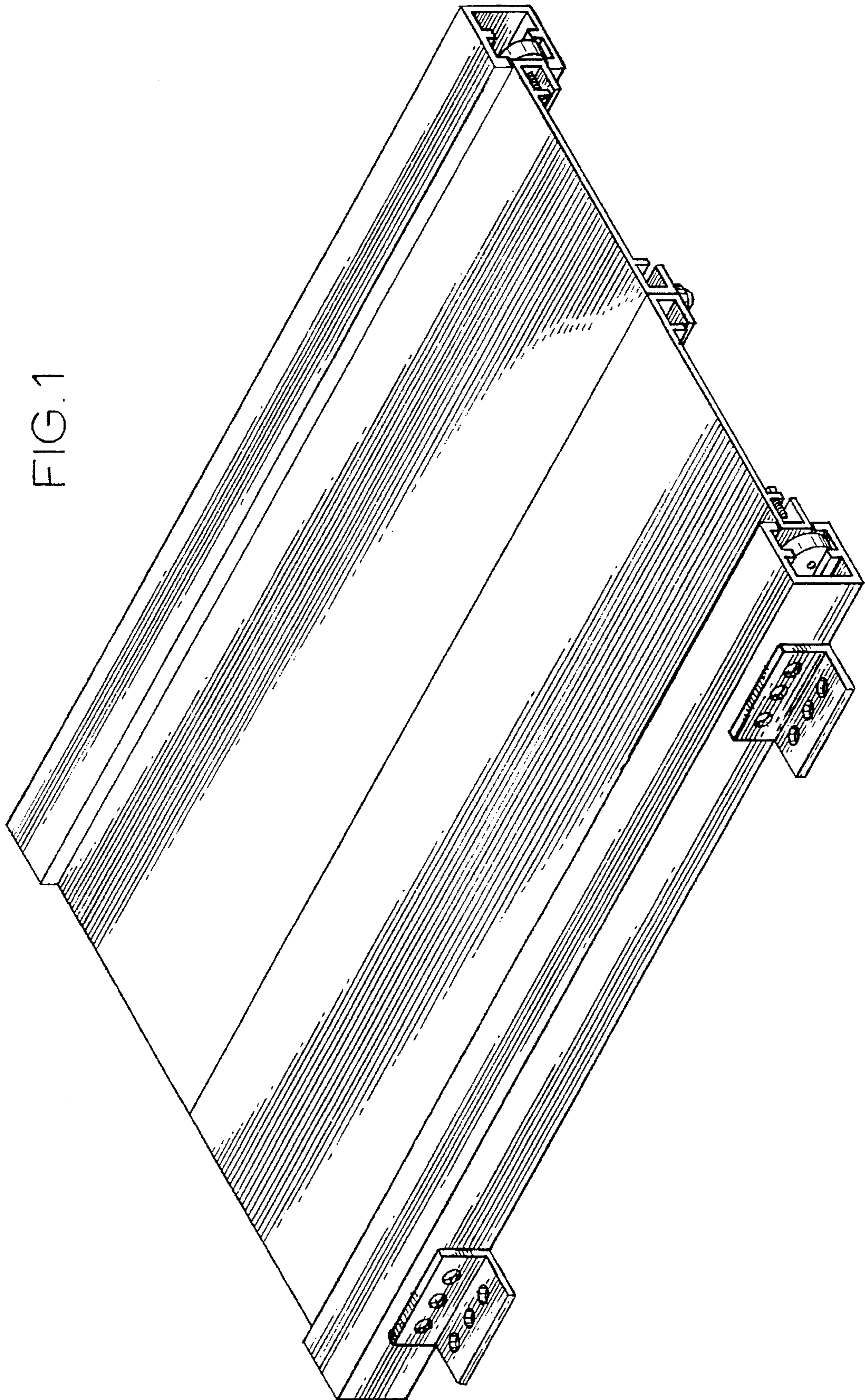


FIG. 2

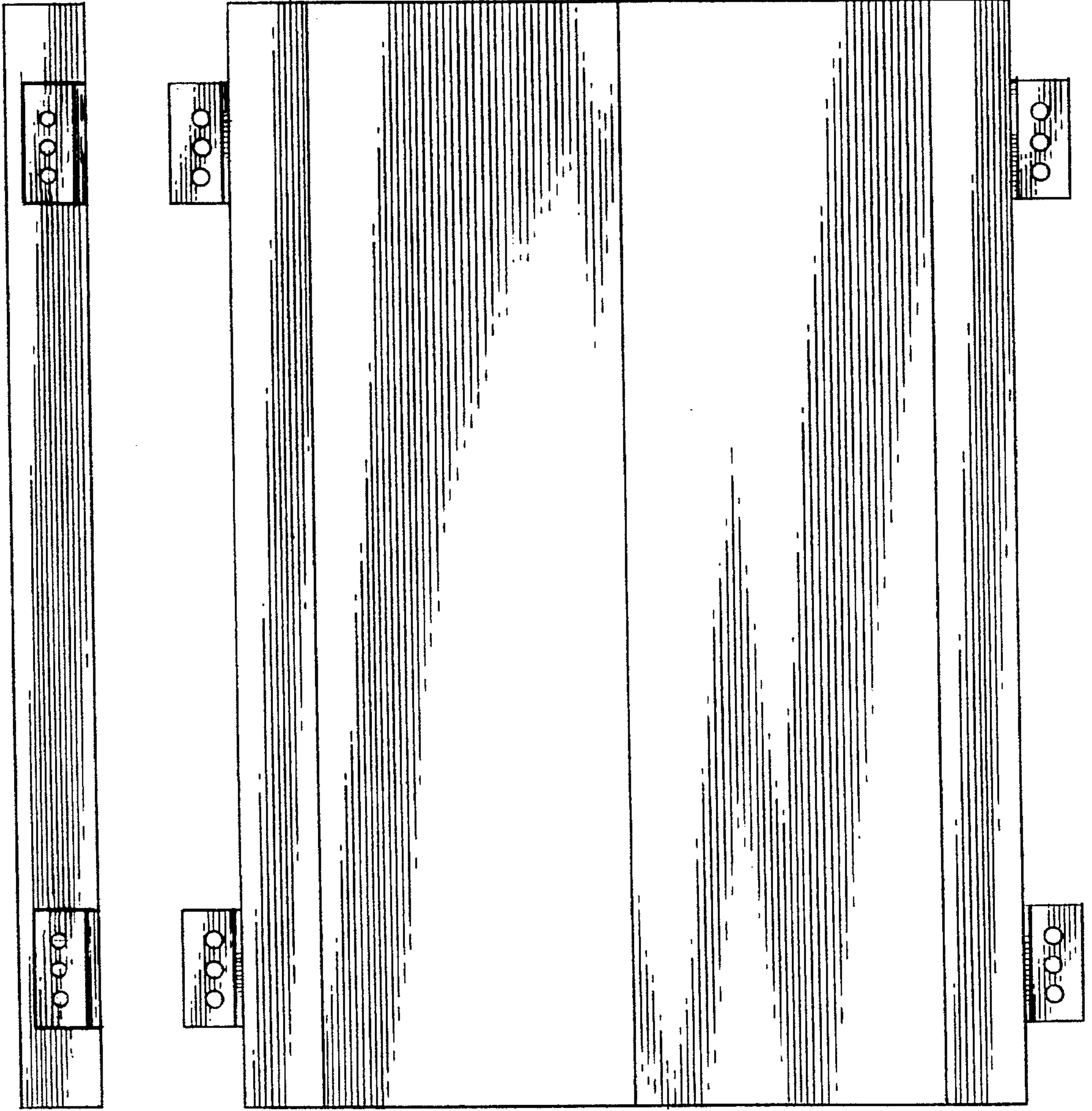


FIG. 4

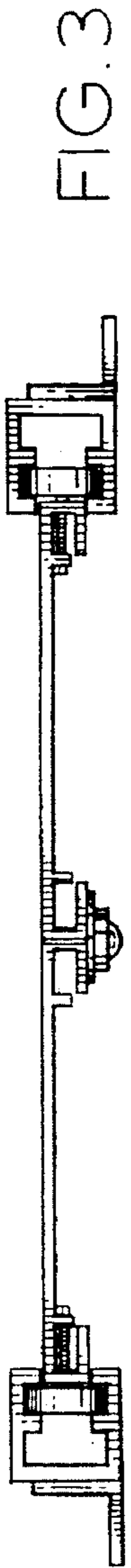


FIG. 3

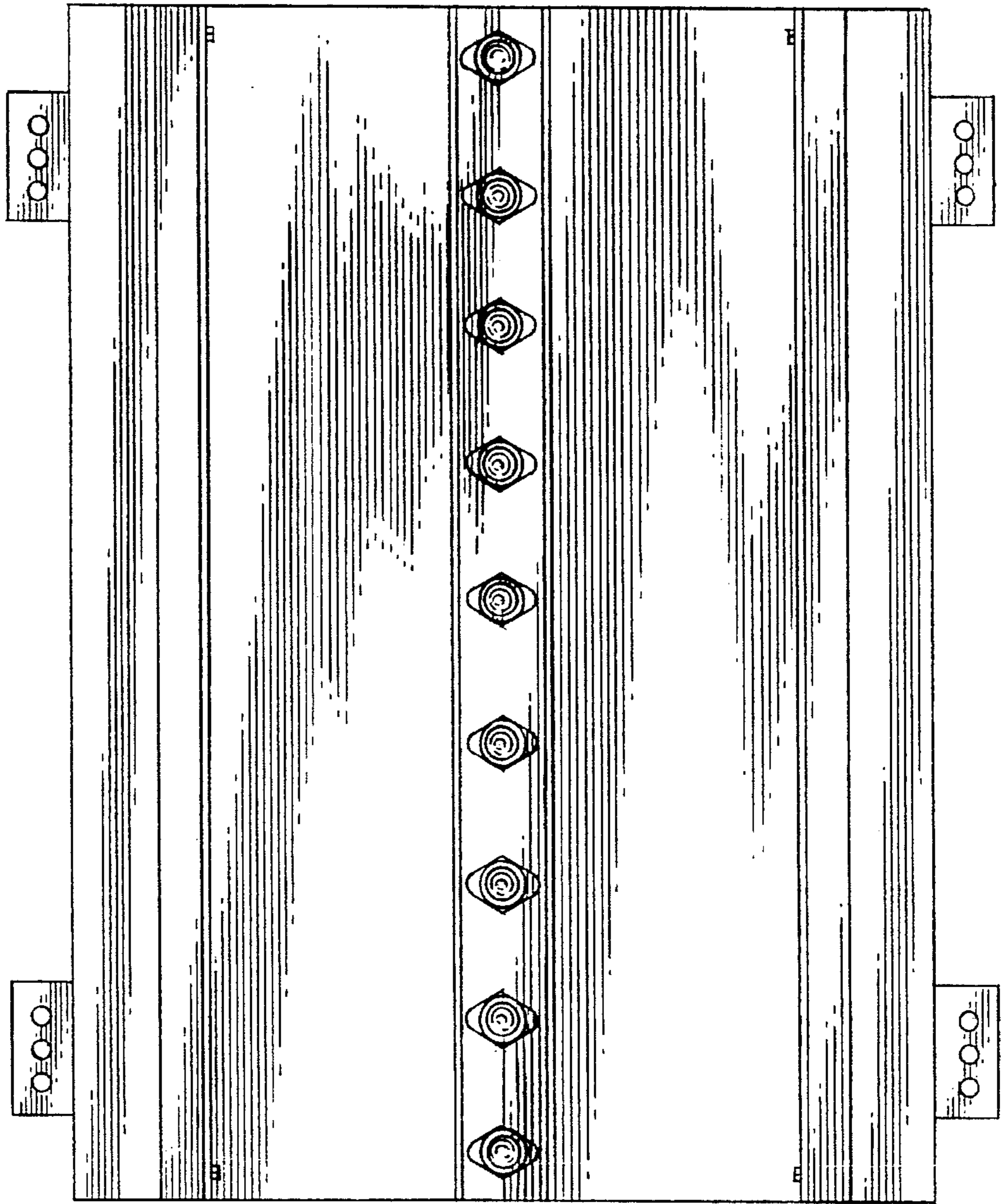


FIG. 5