



US00D365078S

United States Patent [19]

Ziaylek

[11] Patent Number: **Des. 365,078**

[45] Date of Patent: ****Dec. 12, 1995**

[54] **COLLAPSIBLE WHEEL CHOCK**

4,140,206 2/1979 Yamazaki et al. 188/32

[75] Inventor: **Michael P. Ziaylek**, 15 Cold Spring Ave., Yardley, Pa. 19067

Primary Examiner—A. Hugo Word
Assistant Examiner—Lavone D. Tabor
Attorney, Agent, or Firm—Sperry, Zoda & Kane

[73] Assignees: **Michael P. Ziaylek; Theodore Ziaylek, Jr.**, both of Yardley, Pa.

[57] **CLAIM**

[**] Term: **14 Years**

The ornamental design for a collapsible wheel chock, as shown.

[21] Appl. No.: **29,685**

DESCRIPTION

[22] Filed: **Oct. 13, 1994**

[52] U.S. Cl. **D12/217**

[58] Field of Search D12/217; 188/32, 188/36, 4 R

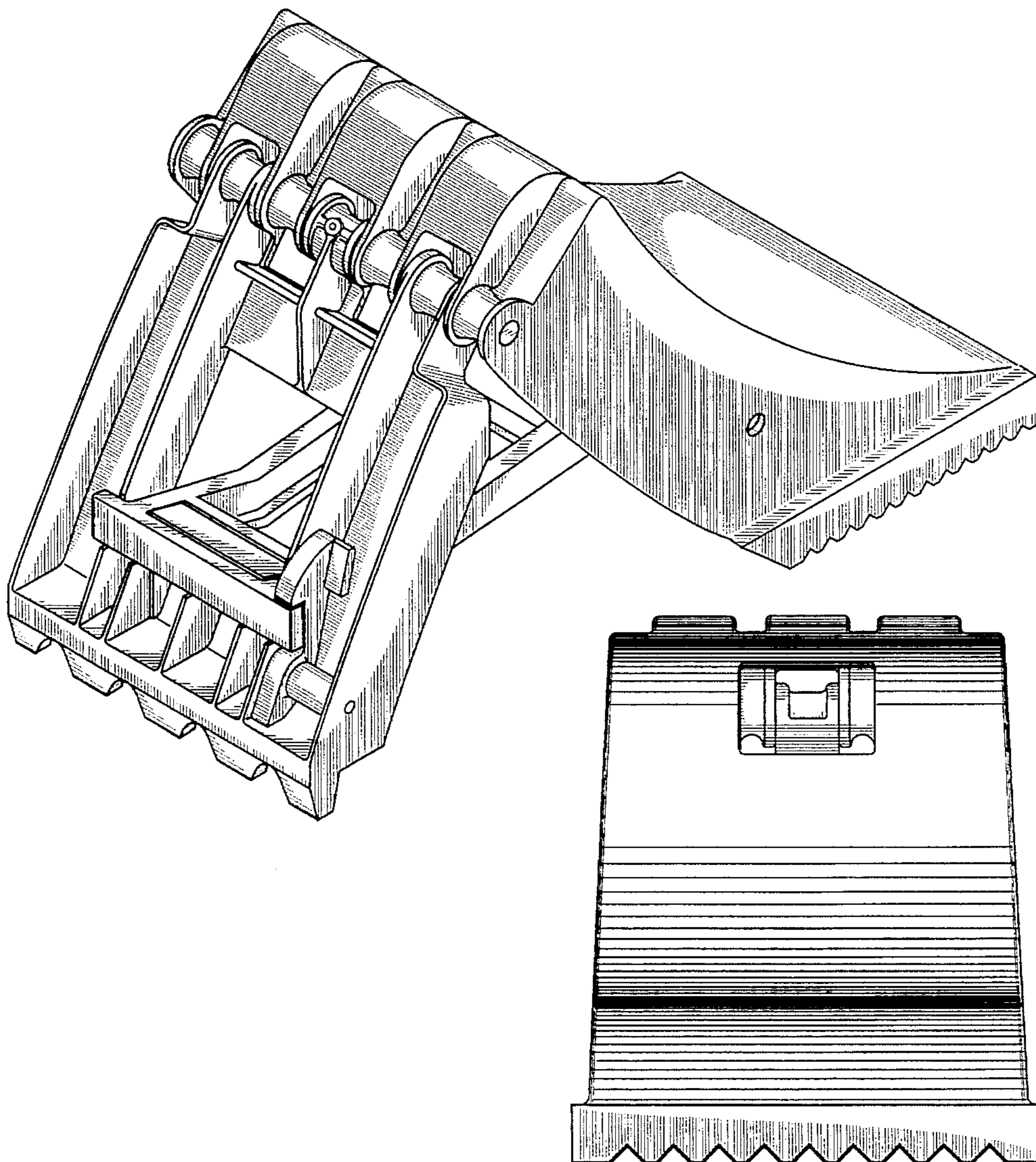
FIG. 1 is a rear perspective view of a collapsible wheel chock embodying my new design; FIG. 2 is a side view from the right as shown in FIG. 1; FIG. 3 is a front view; FIG. 4 is a side view as shown from the left in FIG. 1; FIG. 5 is a rear view; FIG. 6 is a top plan view; and, FIG. 7 is a bottom plan view.

[56] **References Cited**

U.S. PATENT DOCUMENTS

D. 326,254	5/1992	Ziaylek, Jr. et al.	D12/217
1,617,369	2/1927	Blakely	188/32 X
2,613,764	10/1952	Worden	188/32

1 Claim, 4 Drawing Sheets



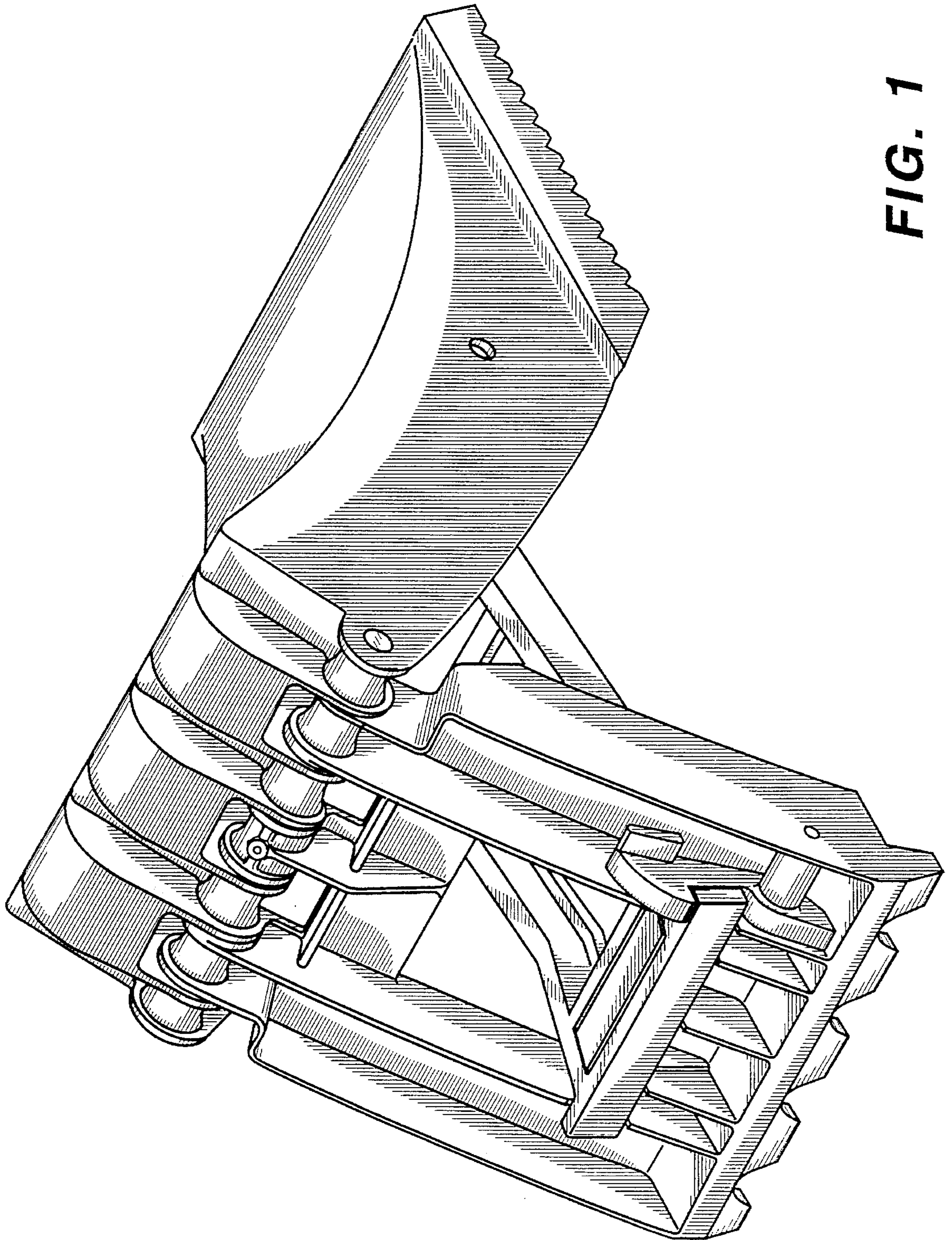


FIG. 1

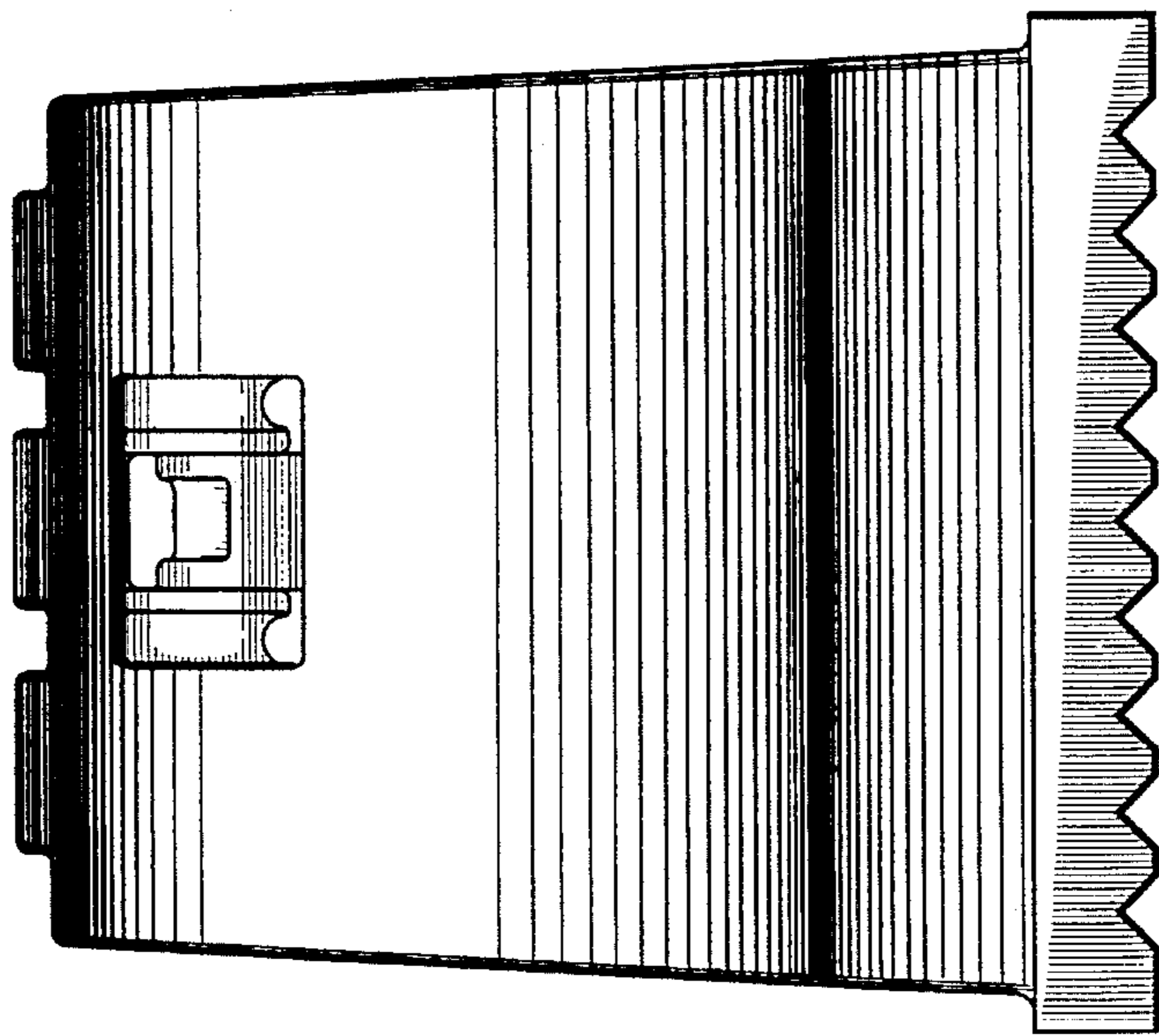


FIG. 3

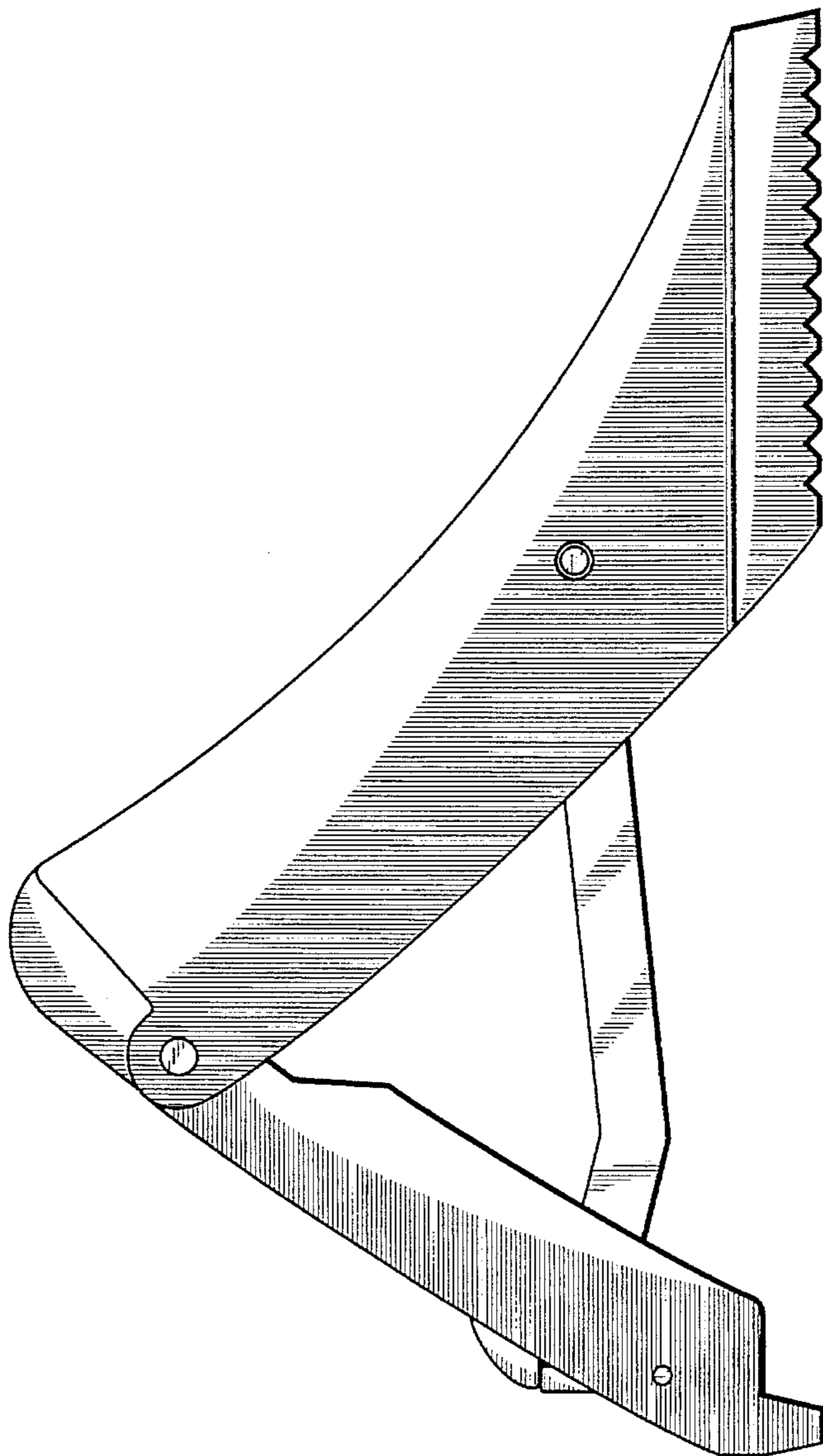


FIG. 2

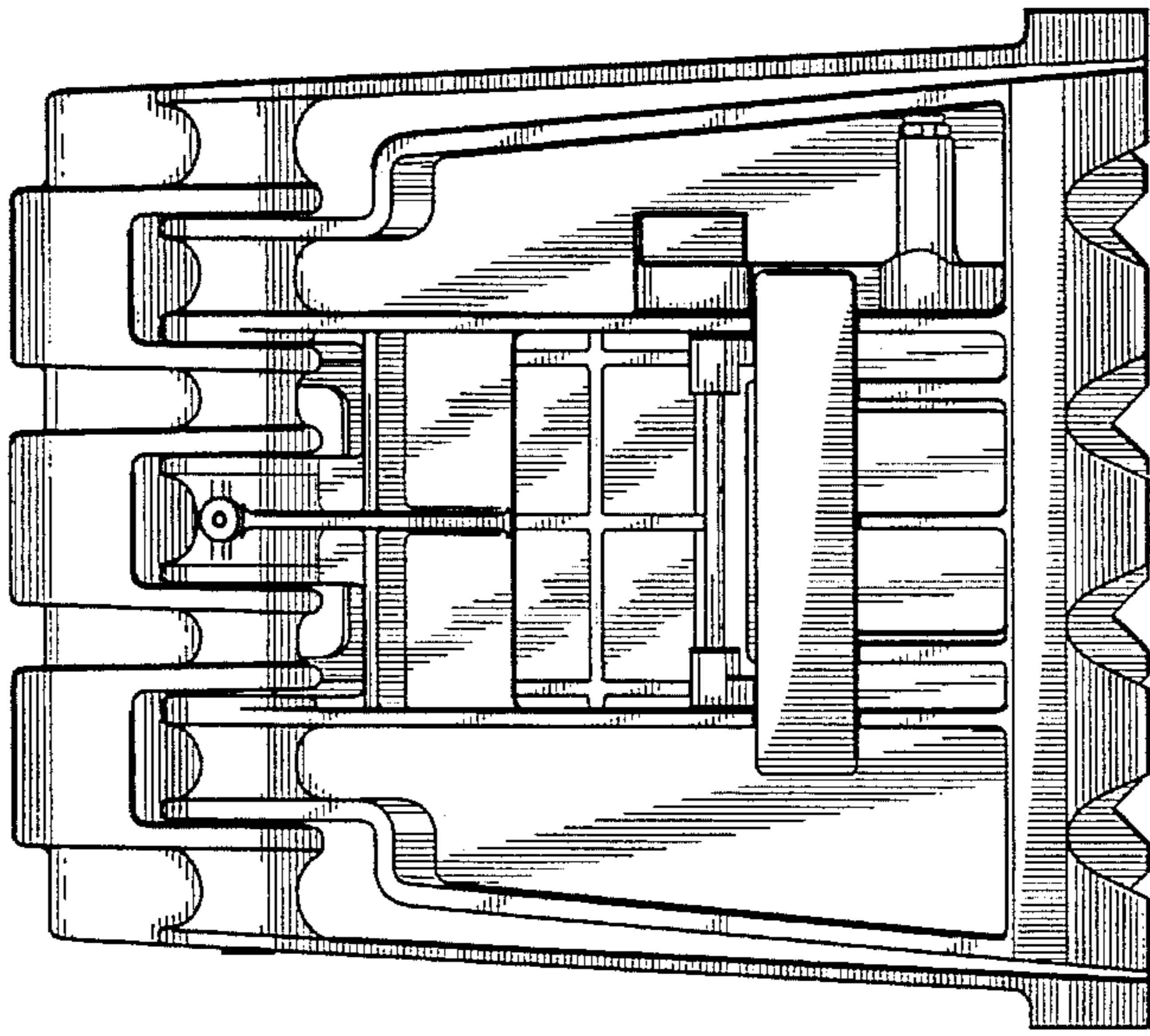


FIG. 5

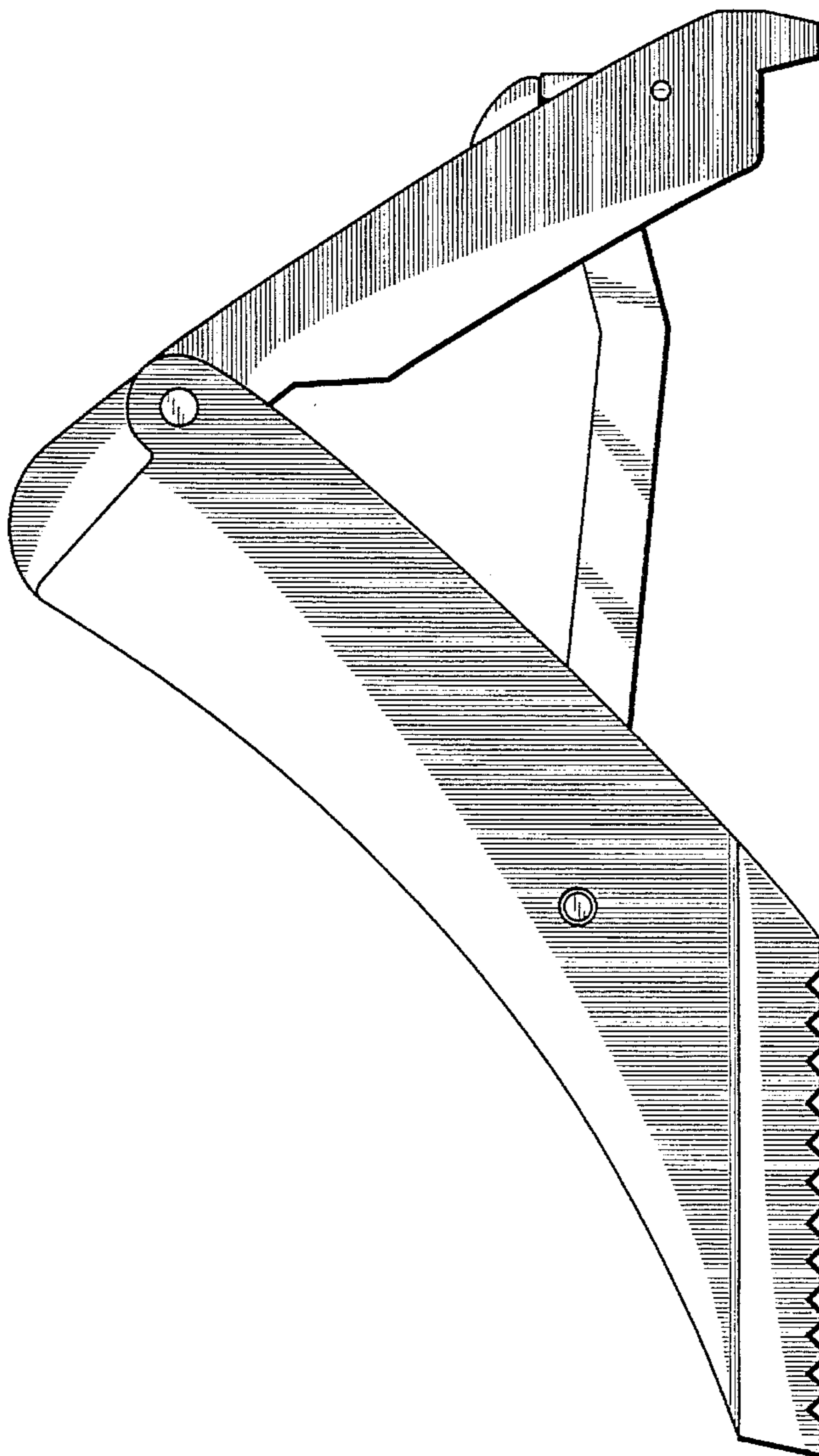


FIG. 4

FIG. 6

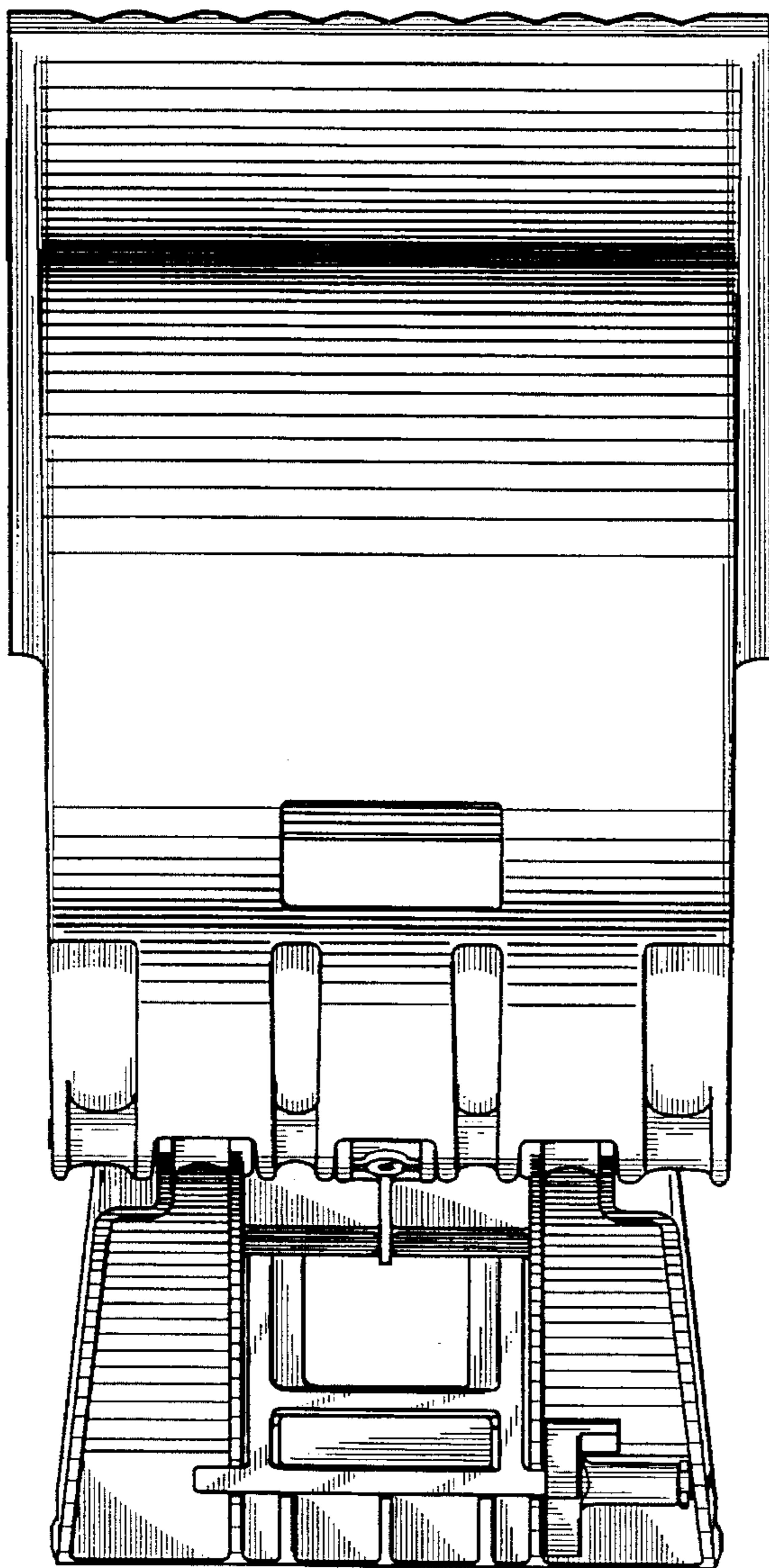


FIG. 7

