



US00D365074S

United States Patent [19] Tong

[11] Patent Number: **Des. 365,074**

[45] Date of Patent: ****Dec. 12, 1995**

[54] **COMBINED ILLUMINABLE VISOR MIRROR, PEN, NOTE PAD AND INDEX PAD**

D. 218,214 7/1970 Goldman et al. D12/191
D. 325,554 4/1992 Min-Jenn D12/417

[76] Inventor: **Wing K. Tong**, Chi Wan Ind.Bldg., 1-7
Kin Hon Street, Kwai Chung, N.T.,
Hong Kong

Primary Examiner—James M. Gandy
Attorney, Agent, or Firm—Wenderoth, Lind & Ponack

[**] Term: **14 Years**

[57] **CLAIM**

[21] Appl. No.: **16,848**

The ornamental design for a combined illuminable visor mirror, pen, note pad and index pad, as shown and described.

[22] Filed: **Dec. 28, 1993**

DESCRIPTION

[30] **Foreign Application Priority Data**

Nov. 19, 1993 [GB] United Kingdom 2035289

[52] **U.S. Cl.** **D12/191**

[58] **Field of Search** D12/191, 417;
D6/308; D19/78; 296/97.1, 97.2, 97.5;
359/838, 842, 843, 844, 849, 850, 854,
860, 862, 866, 868, 881

FIG. 1 is a perspective view of the front, top and one end of a combined illuminable visor mirror, pen, note pad and index pad showing my new design;

FIG. 2 is an elevation view of the opposite end thereof;

FIG. 3 is a bottom plan view thereof;

FIG. 4 is a rear elevation view thereof; and,

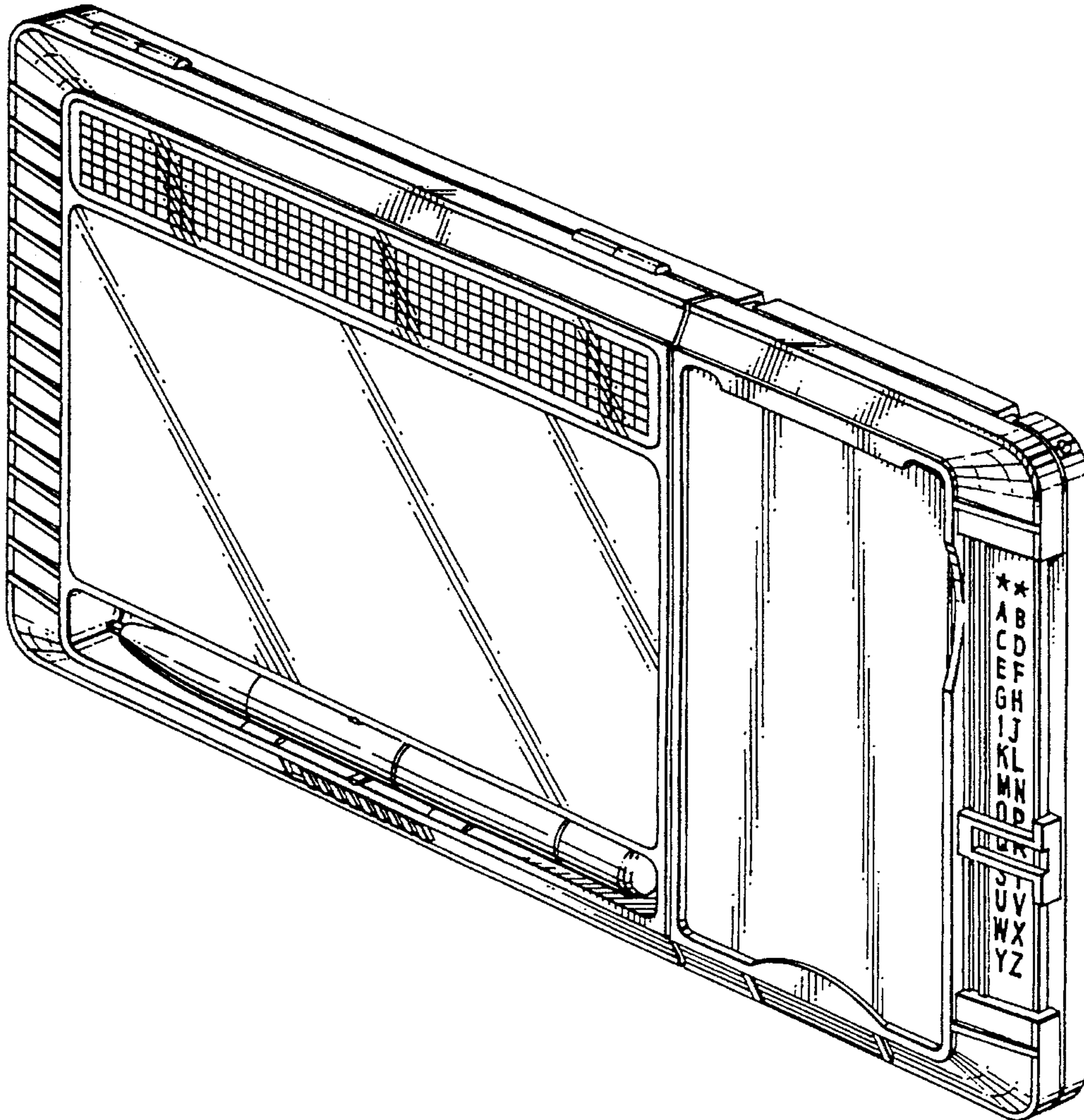
FIG. 5 is a perspective view of the front, top and one end thereof with the note pad and index pad in open condition.

[56] **References Cited**

U.S. PATENT DOCUMENTS

D. 168,707 1/1953 Pavenick D12/191

1 Claim, 3 Drawing Sheets



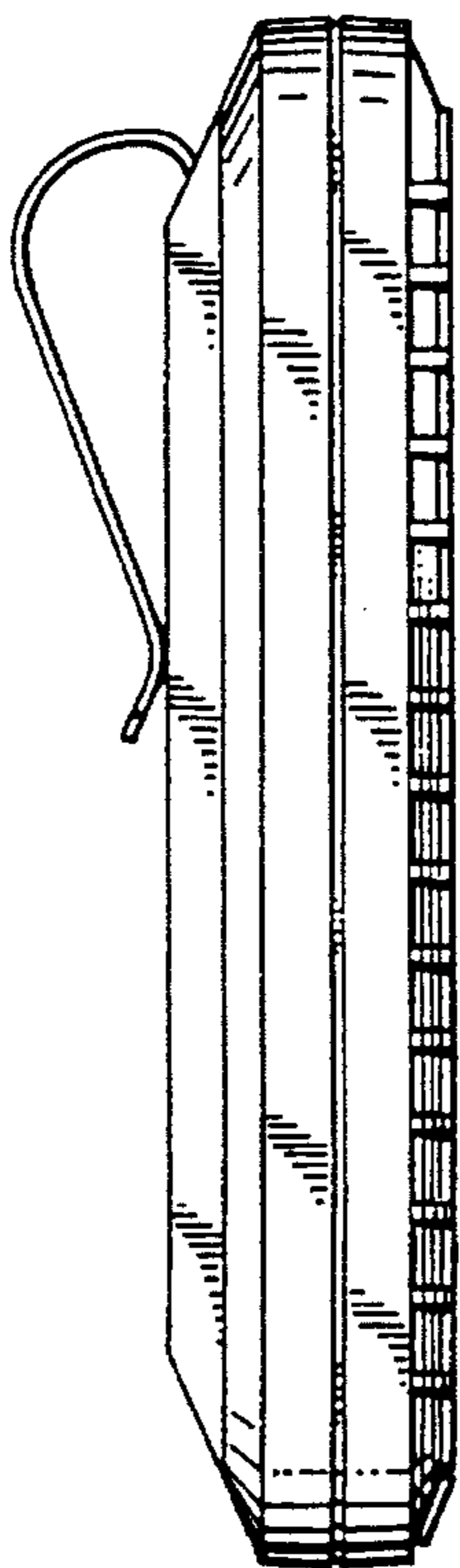
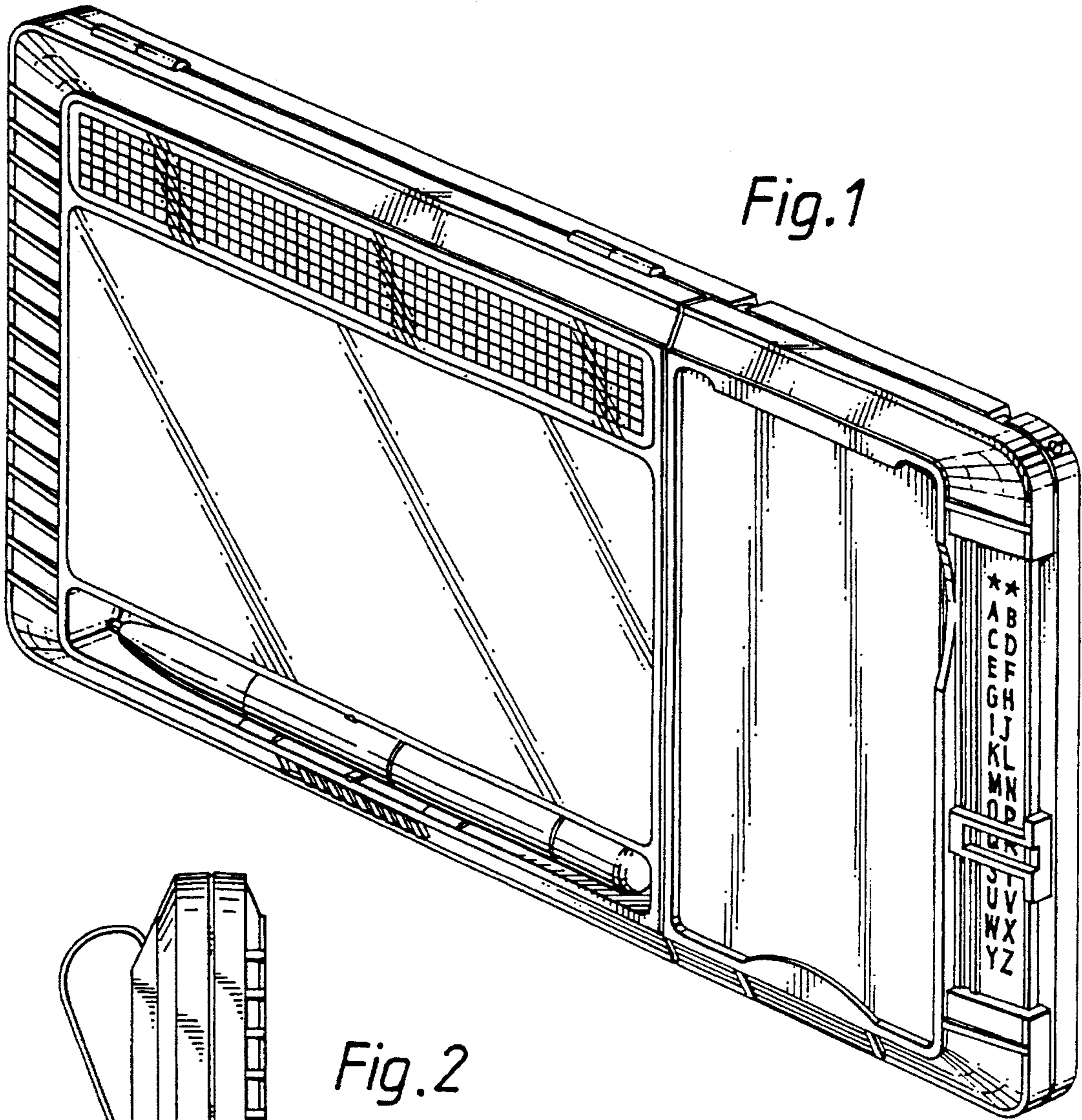


Fig. 3

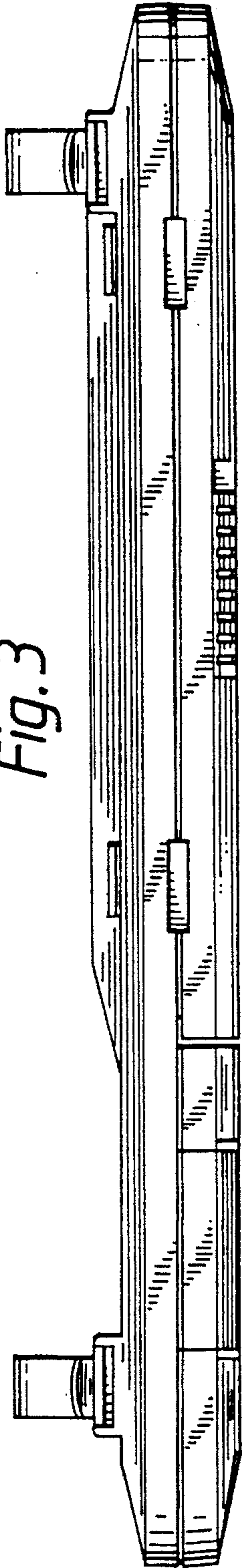


Fig. 4

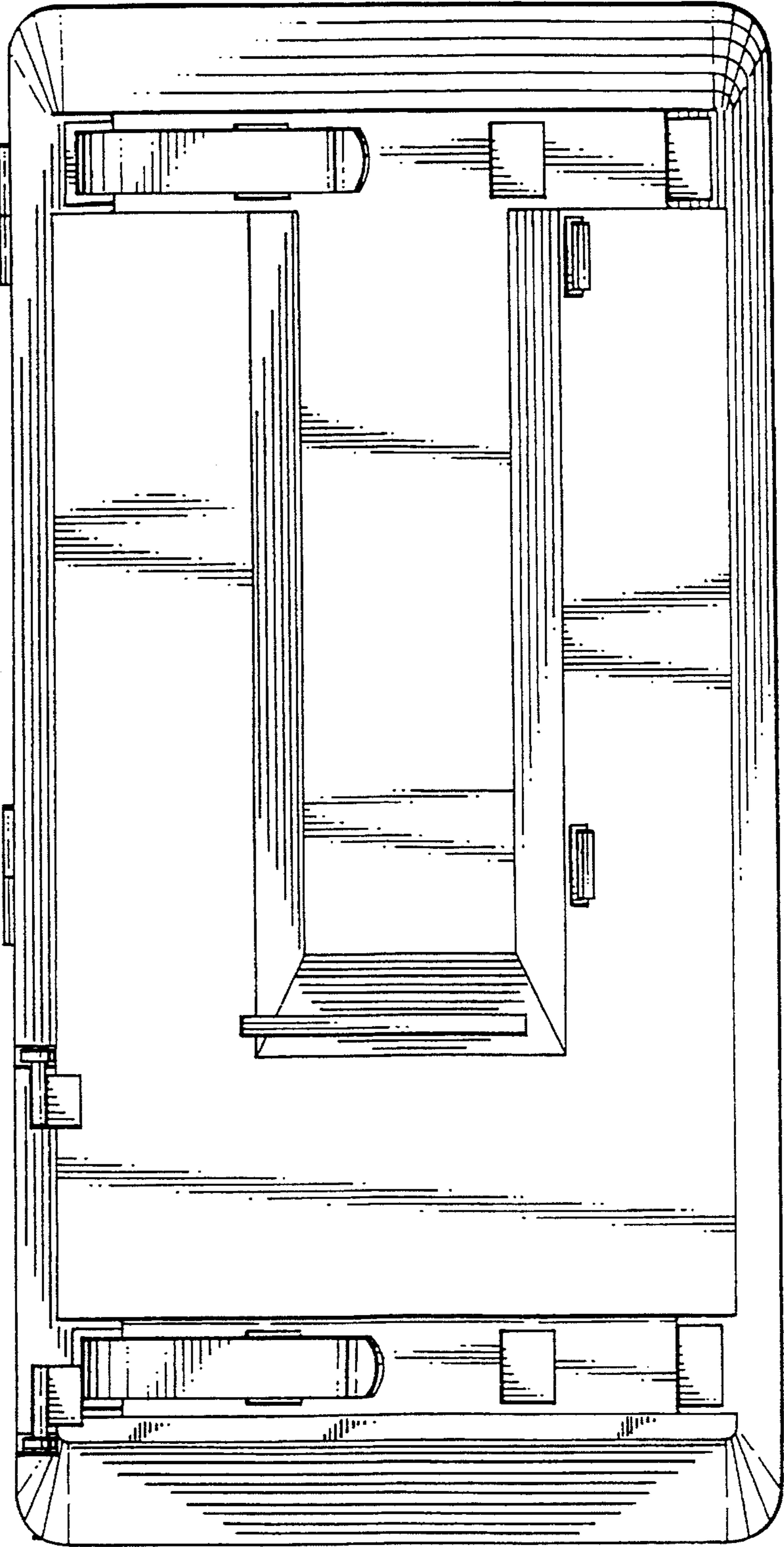


Fig. 5

