



US00D365073S

**United States Patent** [19]  
**Nagano**

[11] **Patent Number: Des. 365,073**

[45] **Date of Patent: \*\*Dec. 12, 1995**

[54] **REAR VIEW MIRROR FOR A BICYCLE**

[75] Inventor: **Toshiyuki Nagano**, Takarazuka, Japan

[73] Assignee: **Cat Eye Co., Ltd.**, Osaka, Japan

[\*\*] Term: **14 Years**

[21] Appl. No.: **29,755**

[22] Filed: **Oct. 17, 1994**

[30] **Foreign Application Priority Data**

Sep. 6, 1994 [JP] Japan ..... 6-26993

[52] **U.S. Cl.** ..... **D12/187; D12/114**

[58] **Field of Search** ..... D12/114, 187,  
D12/188; 248/474, 476, 479; 359/850,  
851, 838, 841, 844, 854, 855, 865, 866,  
868, 871-873, 875, 879, 880, 881, 862-864,  
842

[56] **References Cited**

**U.S. PATENT DOCUMENTS**

D. 346,783 5/1994 Brainard ..... D12/187

4,433,899 2/1984 Sellet et al. .... 359/842  
4,605,289 8/1986 Levine et al. .... 359/842  
4,826,306 5/1989 Grissen et al. .... 248/476 X

*Primary Examiner*—Freda Nunn  
*Attorney, Agent, or Firm*—Banner & Allegretti, Ltd.

[57] **CLAIM**

The ornamental design for a rear view mirror for a bicycle,  
as shown and described.

**DESCRIPTION**

FIG. 1 is a front view of a rear view mirror for a bicycle,  
showing my new design;  
FIG. 2 is a rear view thereof;  
FIG. 3 is a bottom view thereof;  
FIG. 4 is a top view thereof;  
FIG. 5 is a right side view thereof;  
FIG. 6 is a left side view thereof; and,  
FIG. 7 is a front perspective view thereof with a portion of  
a handlebar shown in broken lines for illustrative purposes  
only and forming no part of the claimed design.

**1 Claim, 1 Drawing Sheet**

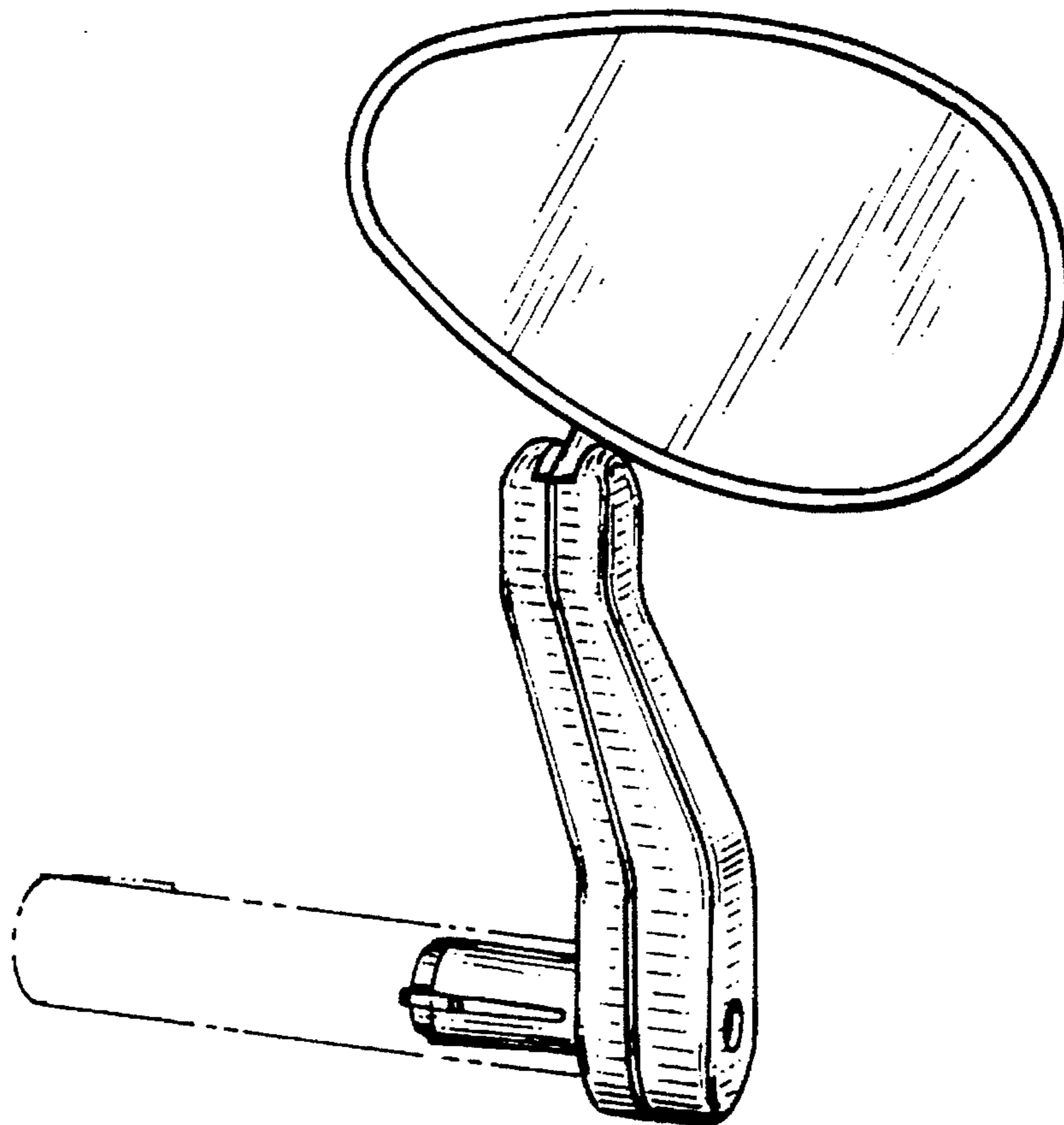


FIG.4

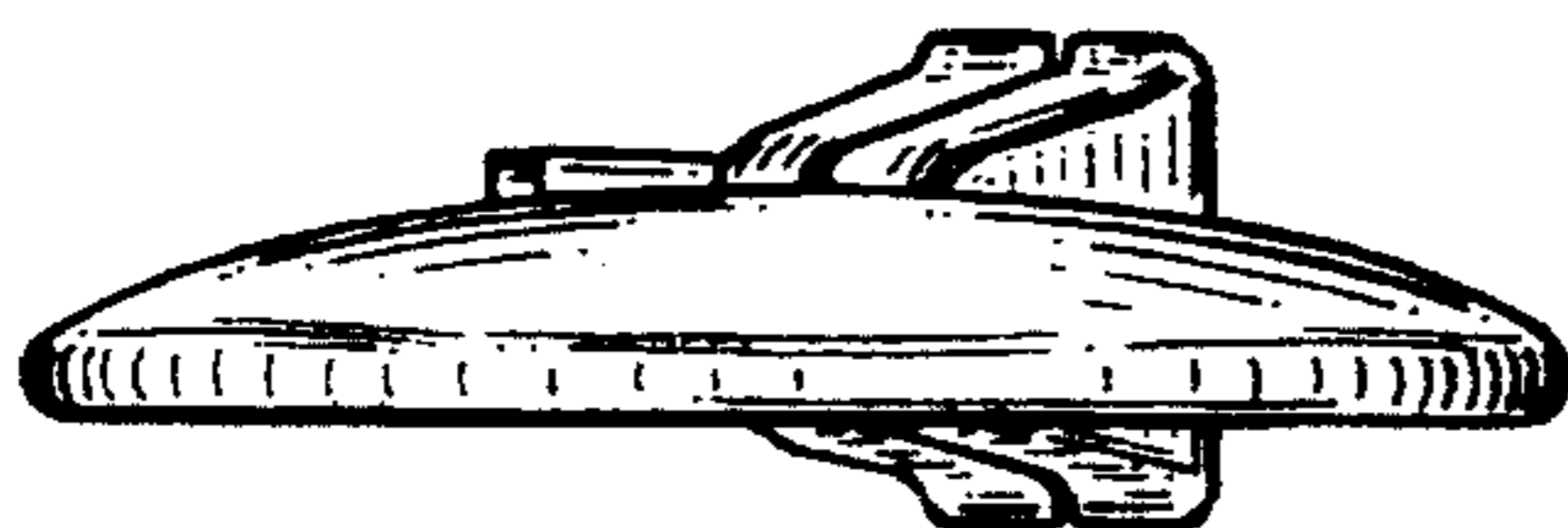


FIG.3

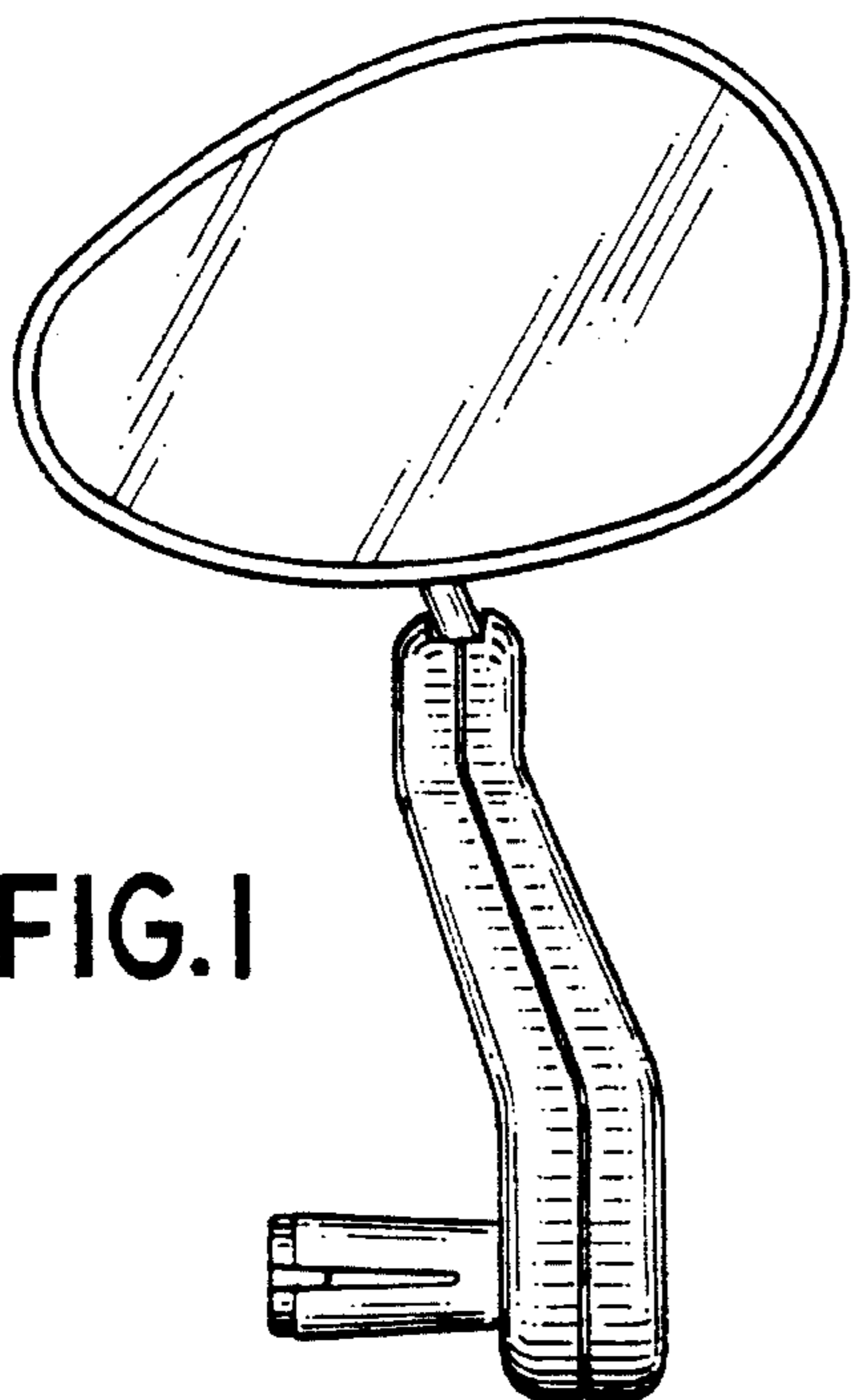
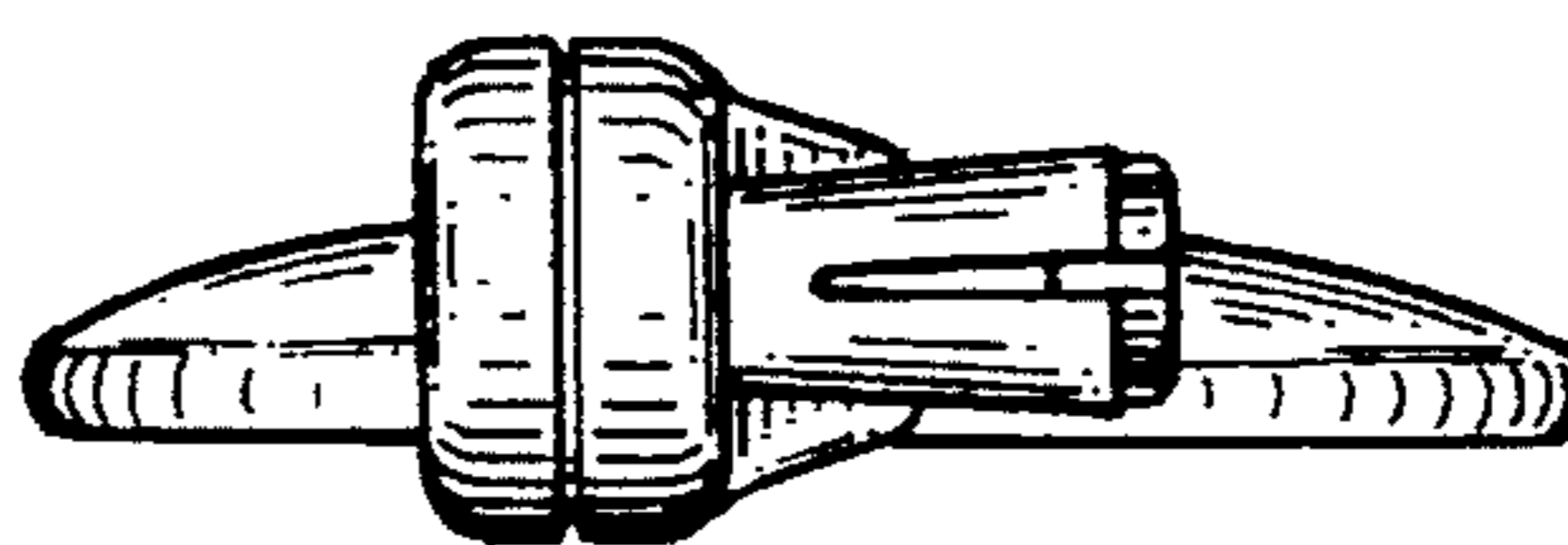


FIG.1

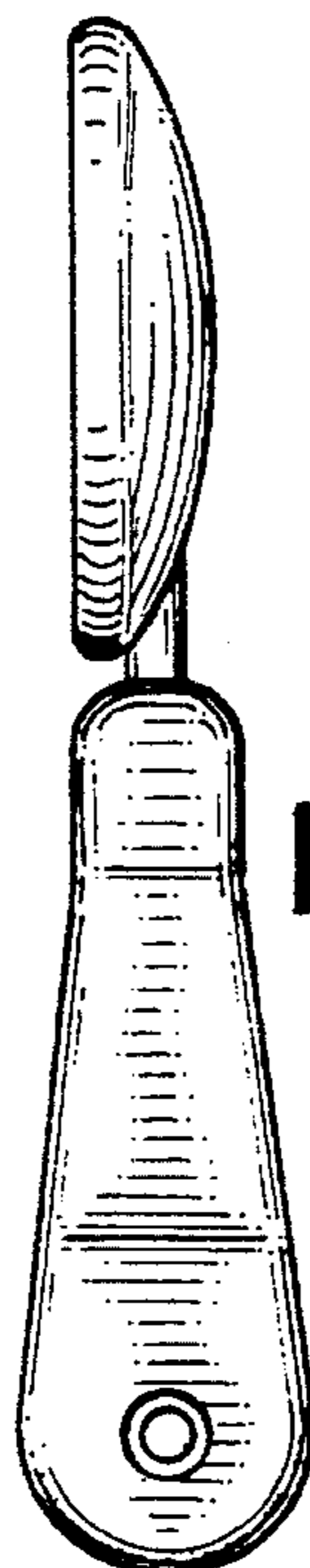


FIG.5

FIG.6

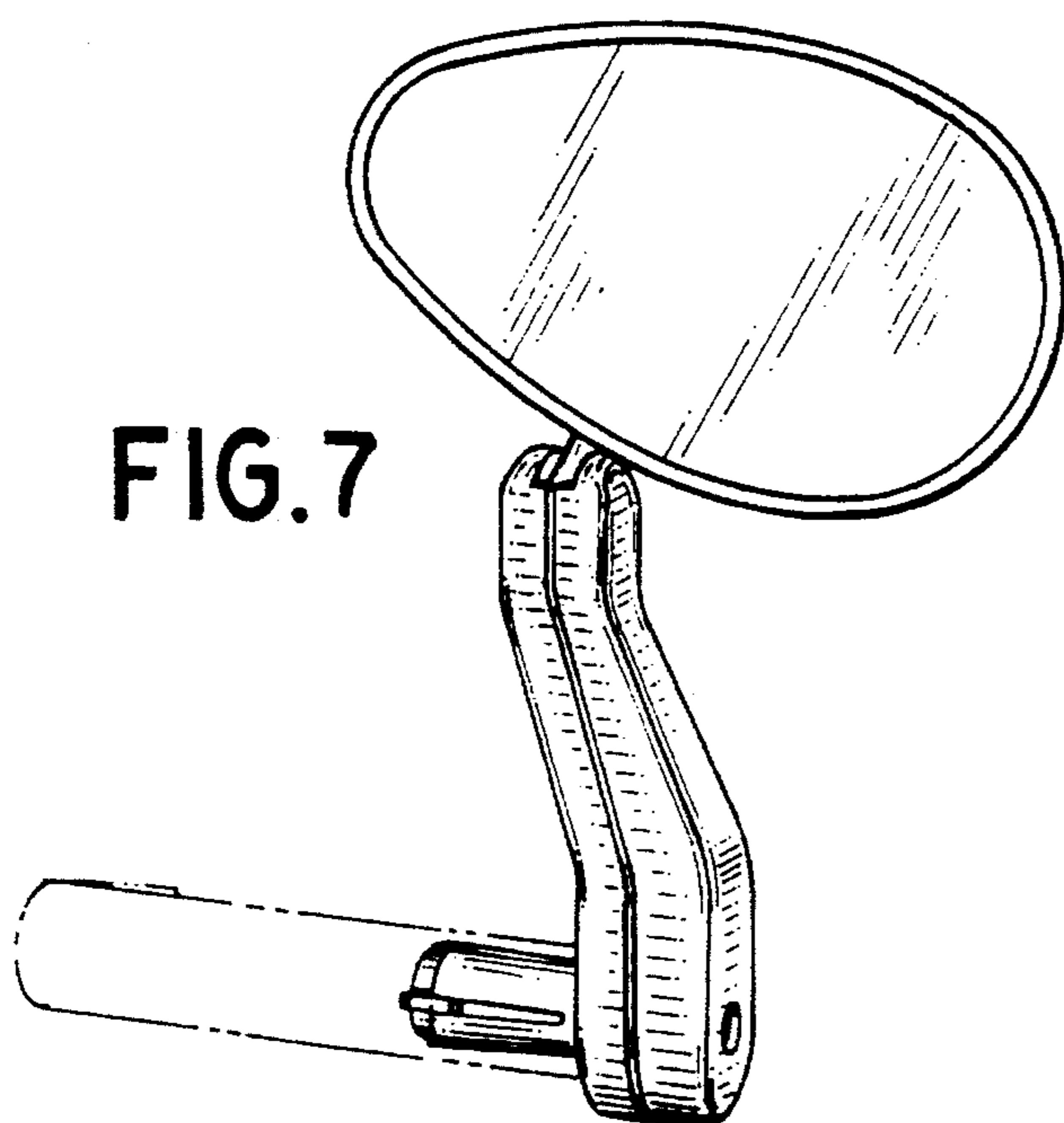


FIG.7

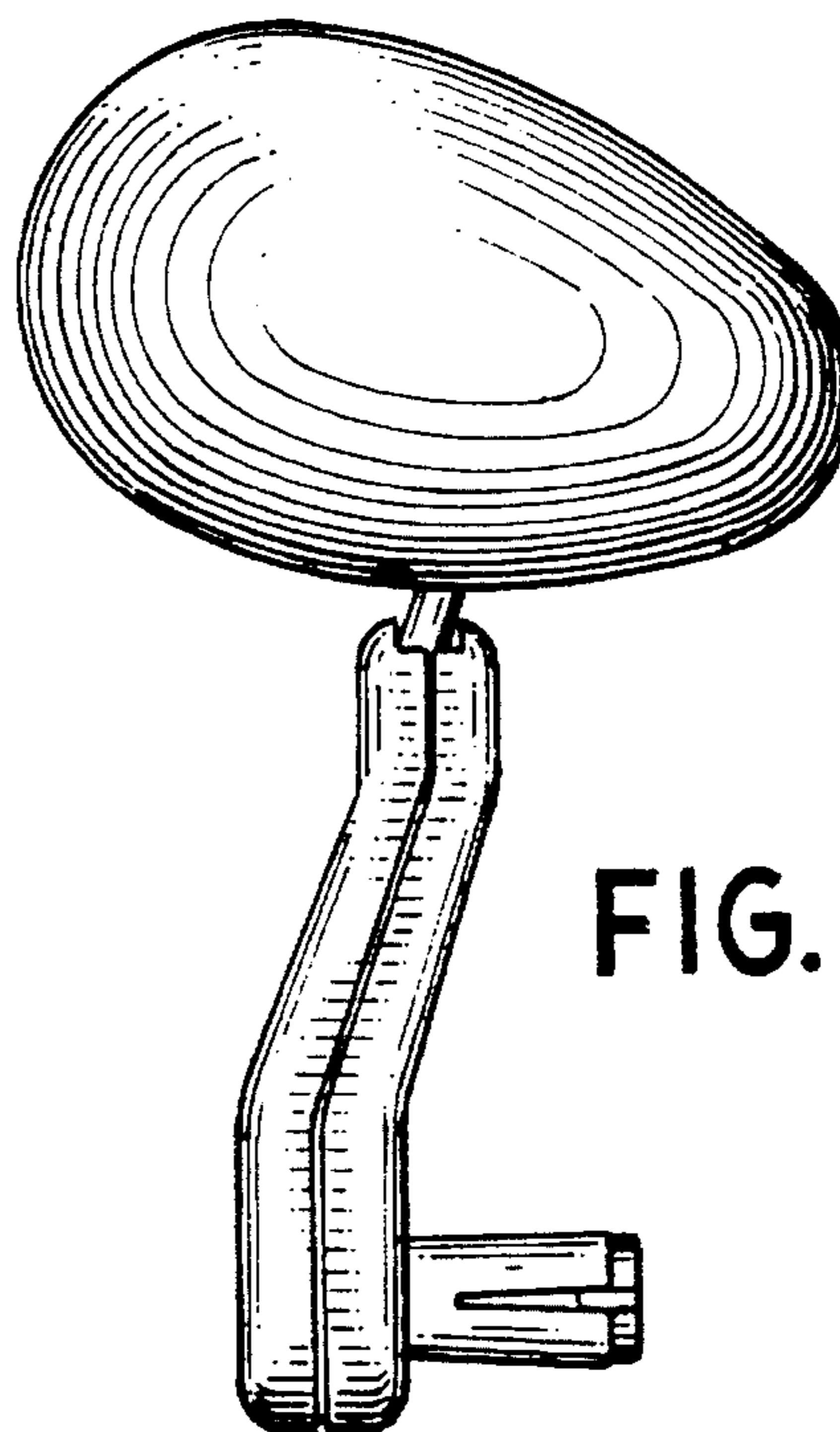


FIG.2