



US00D365069S

United States Patent [19]

[11] Patent Number: **Des. 365,069**

Kotanides, Jr. et al.

[45] Date of Patent: ****Dec. 12, 1995**

[54] **TIRE TREAD**

[75] Inventors: **John Kotanides, Jr.**, Canton; **Robert A. Chin**, Kent; **Raymond R. DiRossi**, Akron; **Deborah K. Vaughn-Lindner**, North Canton, all of Ohio

[73] Assignee: **The Goodyear Tire & Rubber Company**, Akron, Ohio

[**] Term: **14 Years**

[21] Appl. No.: **27,679**

[22] Filed: **Aug. 26, 1994**

[52] U.S. Cl. **D12/147**

[58] Field of Search D12/136, 140, D12/146-148; 152/209 R, 209 B, 209 D

[56] **References Cited**

U.S. PATENT DOCUMENTS

D. 340,889 11/1993 Himuro et al. D12/147

FOREIGN PATENT DOCUMENTS

2127105 5/1990 Japan 152/209 R
4189605 7/1992 Japan 152/209 D

OTHER PUBLICATIONS

1994 Tread Design Guide, p. 13, Cooper Monogram 2000 Tire, bottom right side of page.

Primary Examiner—James M. Gandy
Attorney, Agent, or Firm—T. P. Lewandowski

[57] **CLAIM**

The ornamental design for a tire tread, as shown and described.

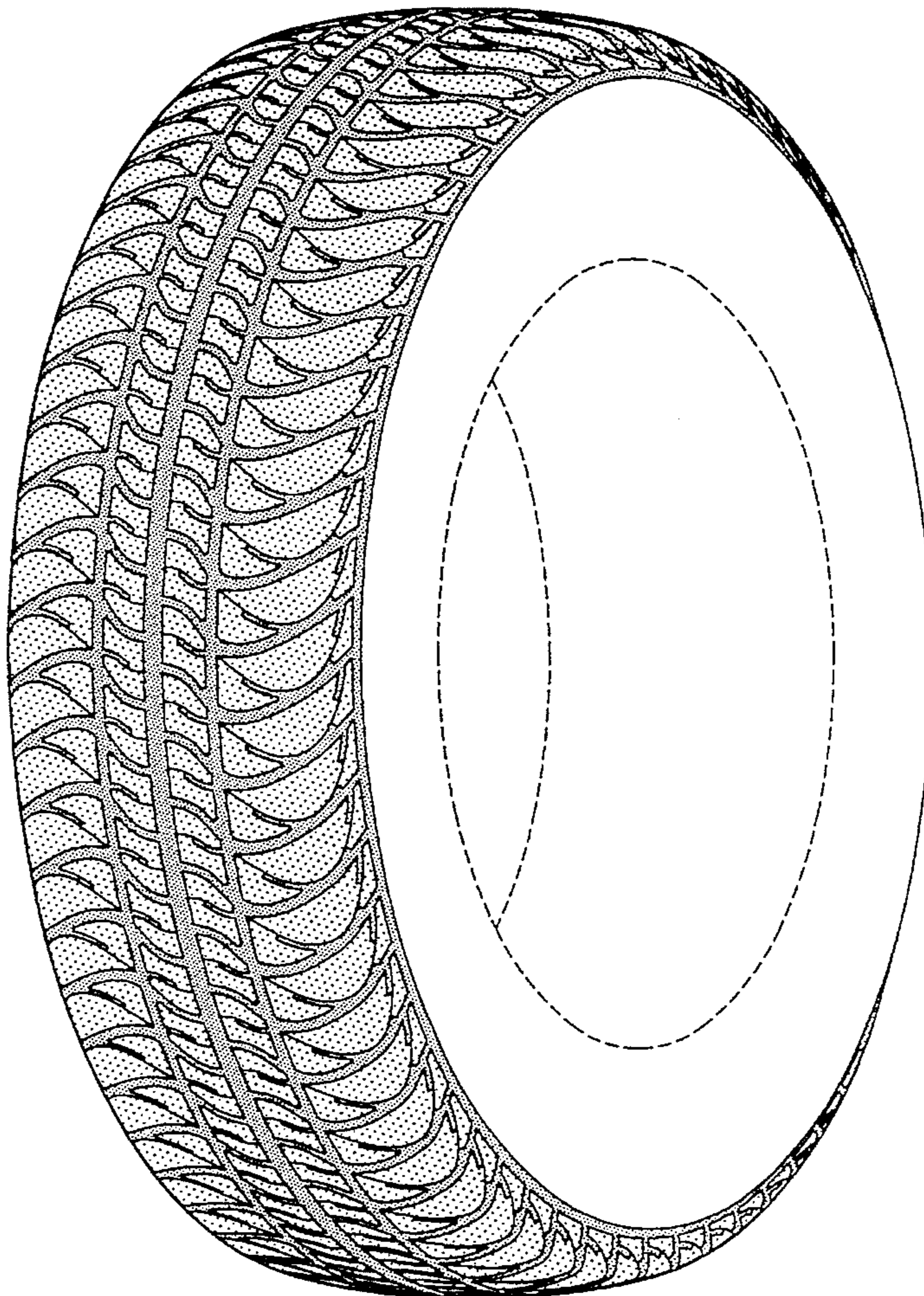
DESCRIPTION

FIG. 1 is a perspective view of a tire tread; FIG. 2 is a front elevational view thereof; FIG. 3 is a side elevational view thereof; and, FIG. 4 is an enlarged fragmentary front view thereof.

The tread pattern is understood to be repeated uniformly throughout the circumference of the tire tread.

In the drawings, the broken line showing of the tire sidewall and the solid line defining the peripheral boundary between the tire tread and the sidewall are for illustrative purposes only and form no part of the claimed design.

1 Claim, 4 Drawing Sheets



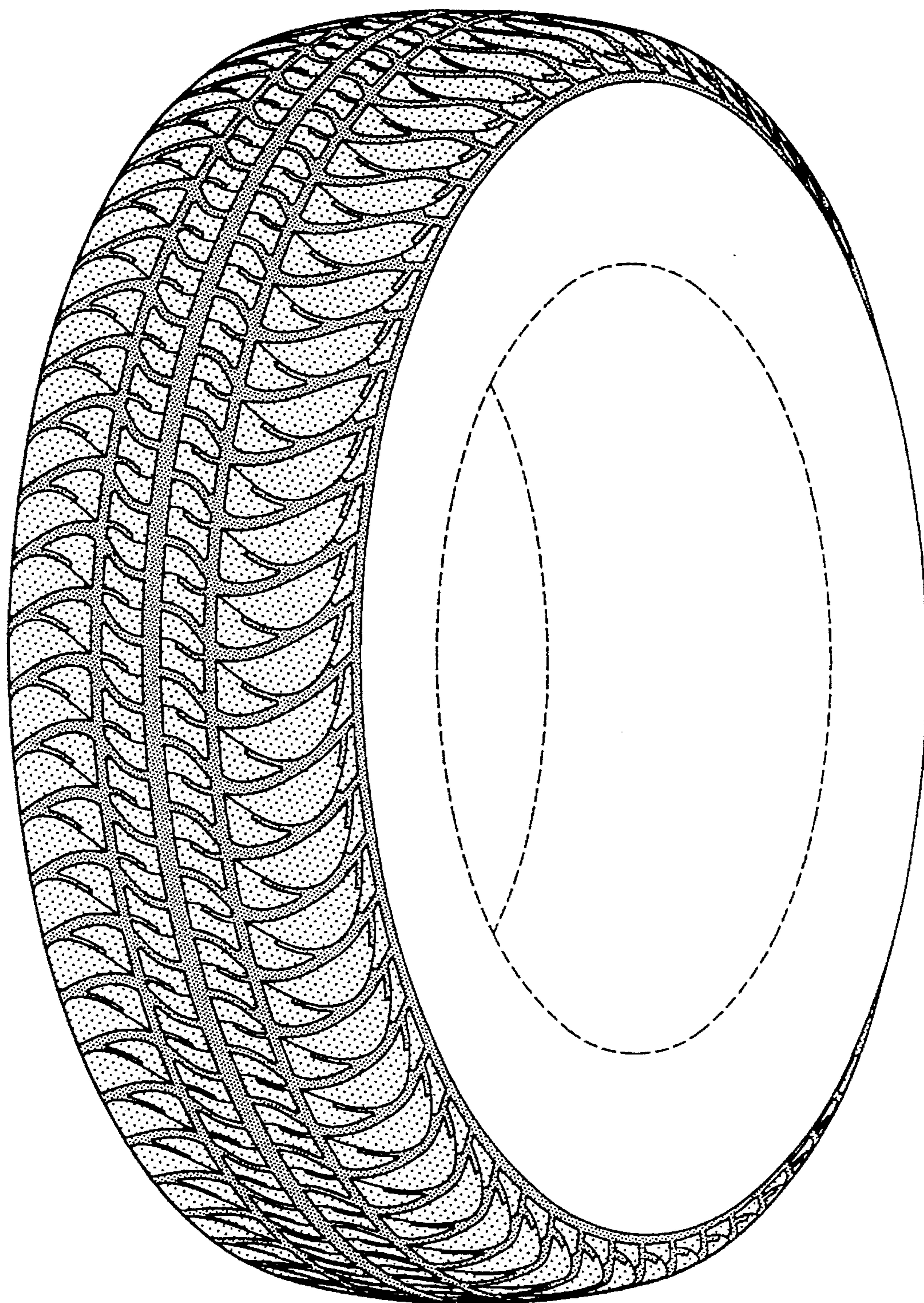


FIG-1

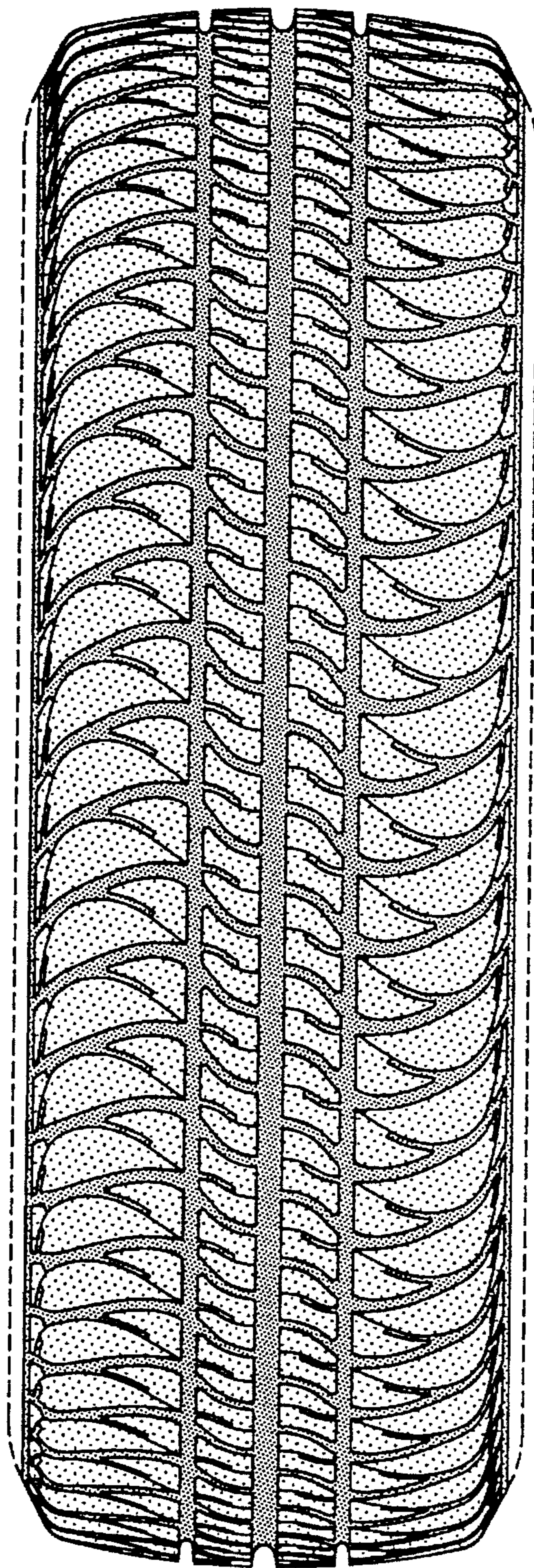


FIG-2

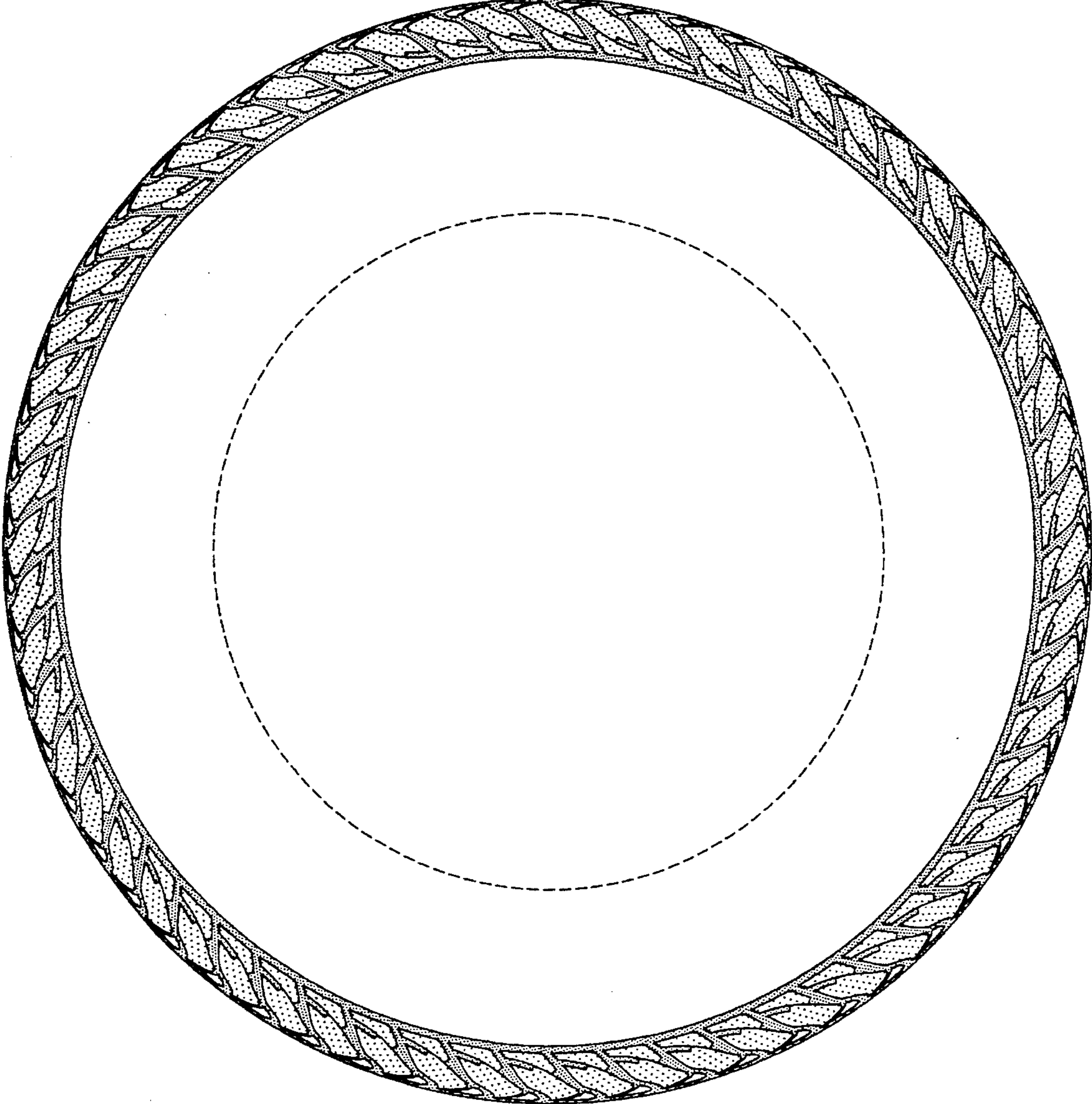


FIG-3

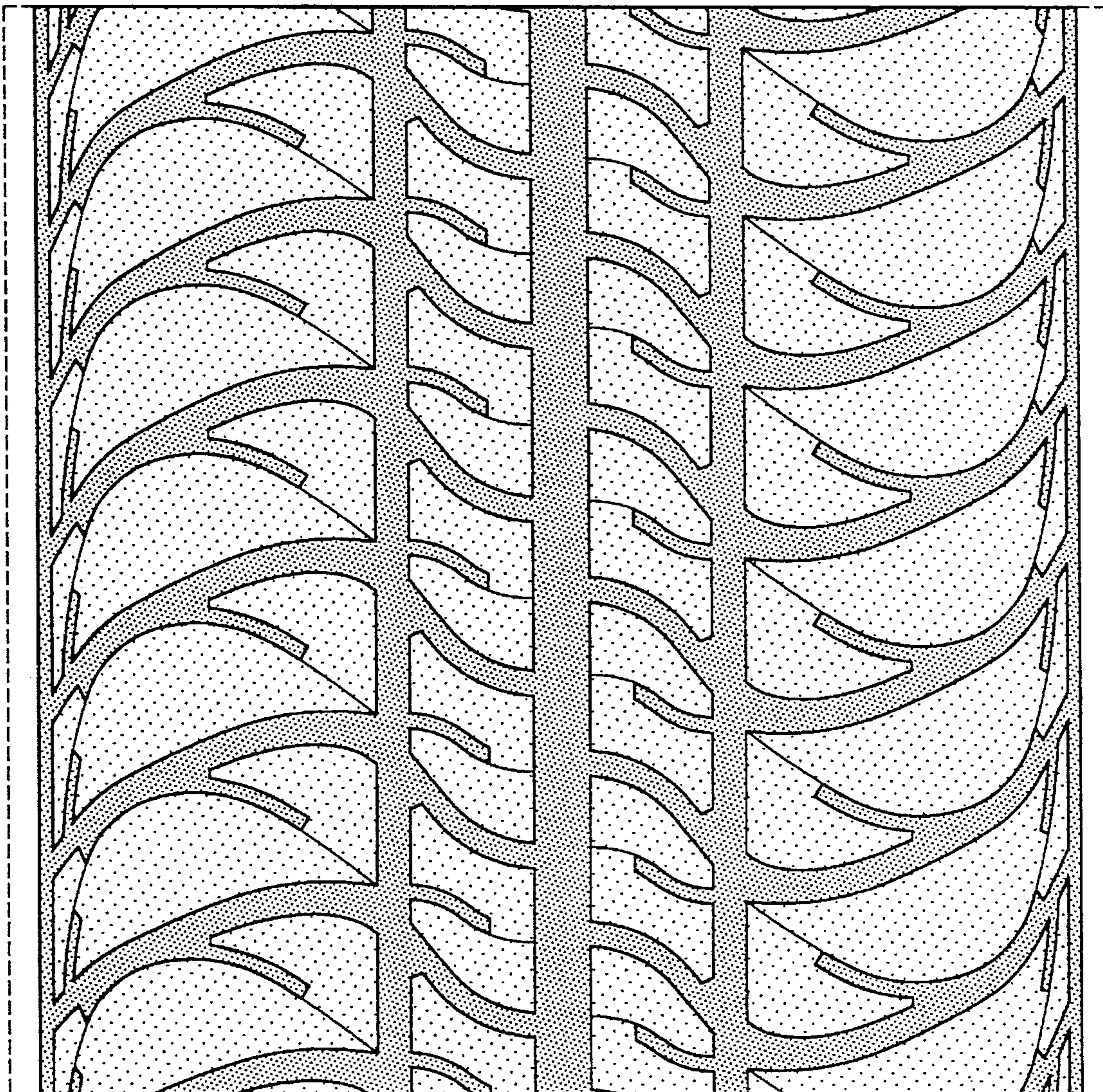


FIG-4