



US00D365066S

# United States Patent [19]

[11] Patent Number: **Des. 365,066**

Attinello et al.

[45] Date of Patent: **\*\*Dec. 12, 1995**

## [54] TIRE TREAD

[75] Inventors: **John S. Attinello**, Hartville; **Norman D. Anderson**; **Samuel P. Landers**, both of Uniontown; **James C. Stroble**, Kent, all of Ohio; **Paul B. Maxwell**, Mamer, Luxembourg

[73] Assignee: **The Goodyear Tire & Rubber Company**, Akron, Ohio

[\*\*] Term: **14 Years**

[21] Appl. No.: **27,637**

[22] Filed: **Aug. 25, 1994**

[52] U.S. Cl. .... **D12/147**

[58] Field of Search ..... D12/136, 138,  
D12/146-148; 152/209 R, 209 D

## [56] References Cited

### U.S. PATENT DOCUMENTS

D. 56,750	12/1920	McKone	.....	D12/138
D. 292,787	11/1987	Kadomaru	.....	D12/147
D. 350,100	8/1994	van Tuyl	.....	D12/147
D. 359,715	6/1995	Montag	.....	D12/147

## OTHER PUBLICATIONS

1994 Tread Design Guide, p. 6, Bridgestone Turanza V Tire, third Row Down From Top & Second Tire in From Right Side of Page.

1994 Tread Design Guide, p. 44, Monarch Hydro Guard Tire, Second Tire in From Top Left Side of Page.

*Primary Examiner*—James M. Gandy

*Attorney, Agent, or Firm*—T. P. Lewandowski

## [57] CLAIM

The ornamental design for a tire tread, as shown and described.

## DESCRIPTION

FIG. 1 is a perspective view of a tire tread;

FIG. 2 is a front elevational view thereof;

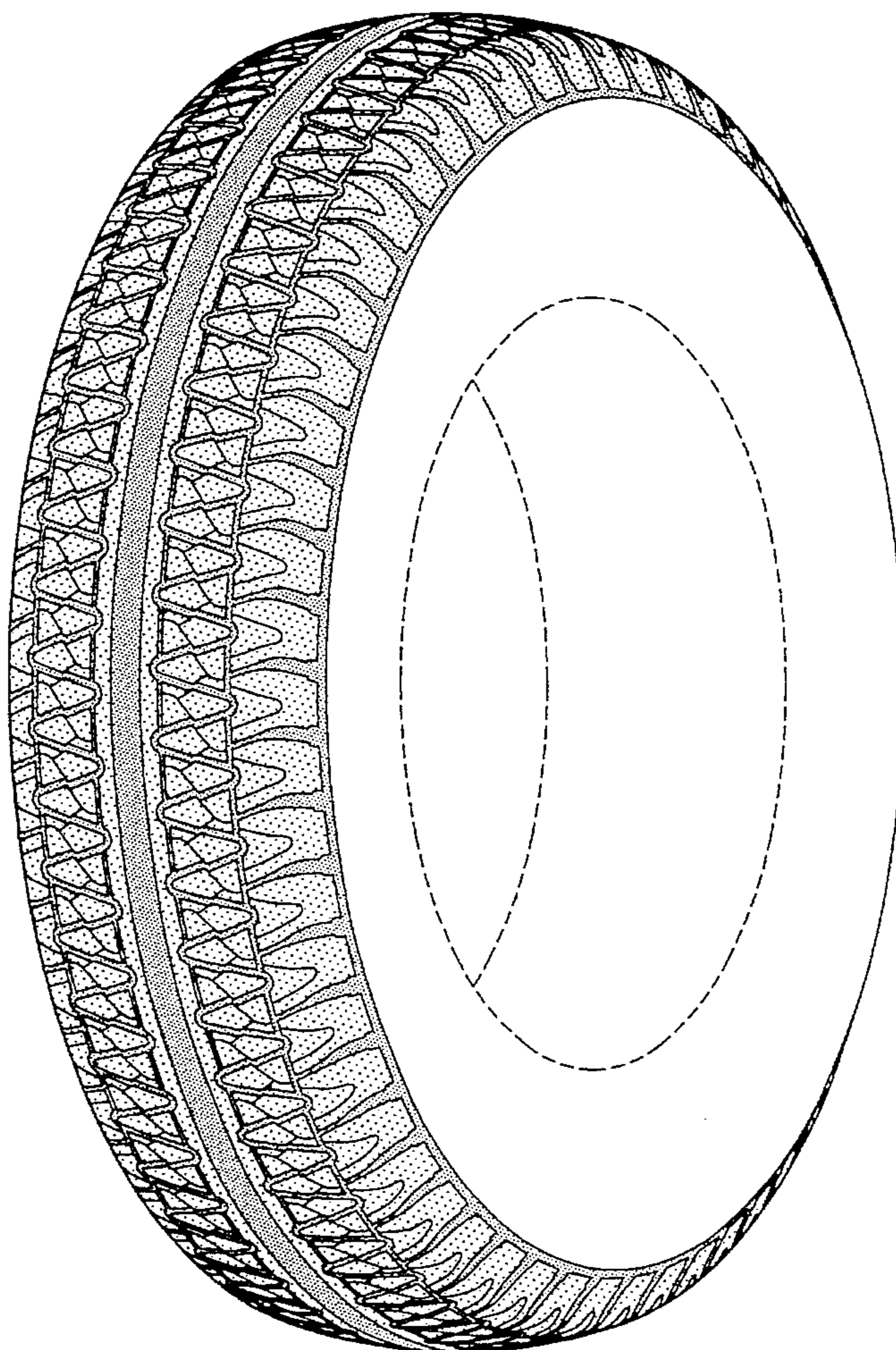
FIG. 3 is a side elevational view thereof; and,

FIG. 4 is an enlarged fragmentary front view thereof.

The tread pattern is understood to be repeated uniformly throughout the circumference of the tire tread.

In the drawings, the broken line showing of the tire sidewall and the solid line defining the peripheral boundary between the tire tread and the sidewall are for illustrative purposes only and form no part of the claimed design.

**1 Claim, 4 Drawing Sheets**



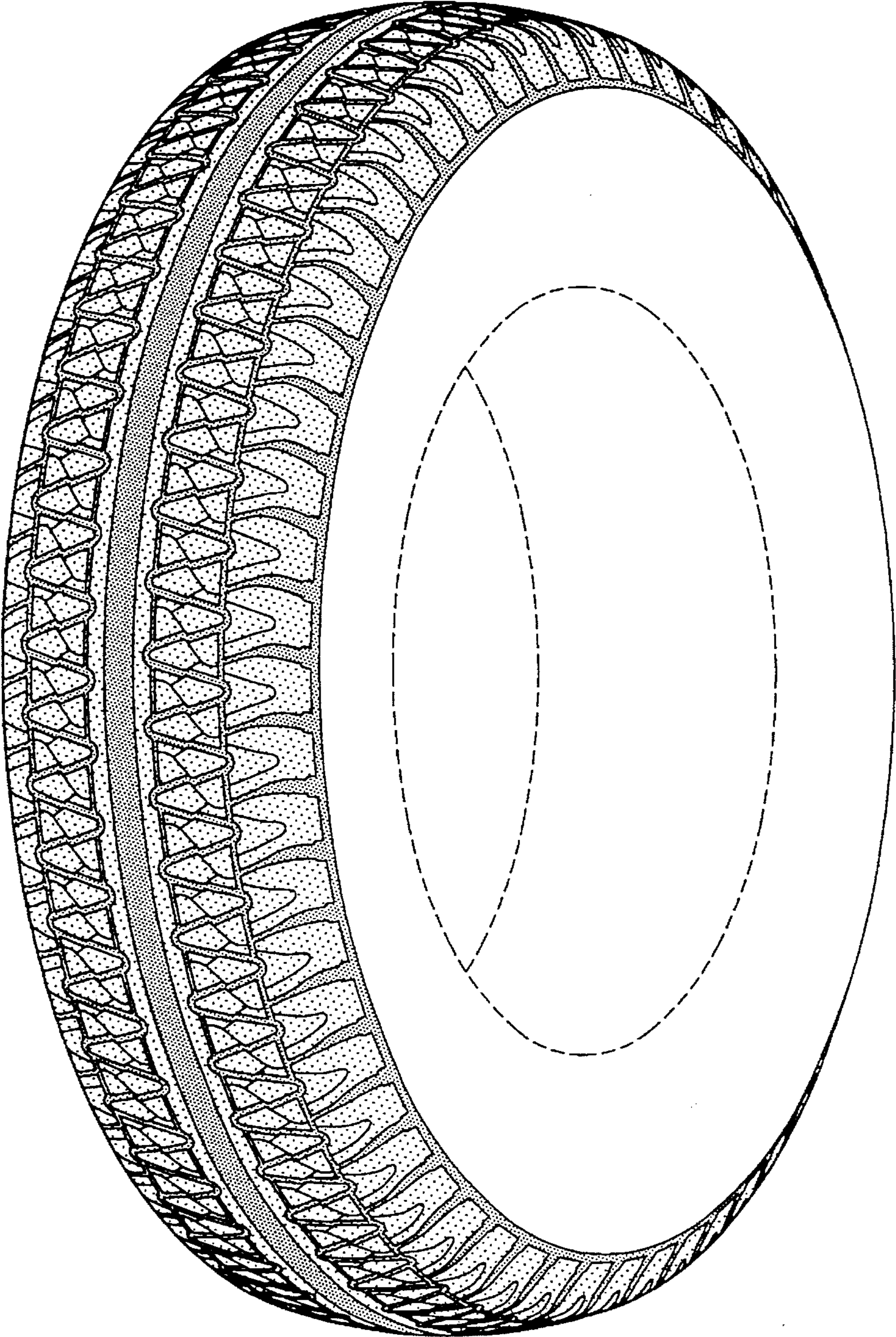


FIG-1

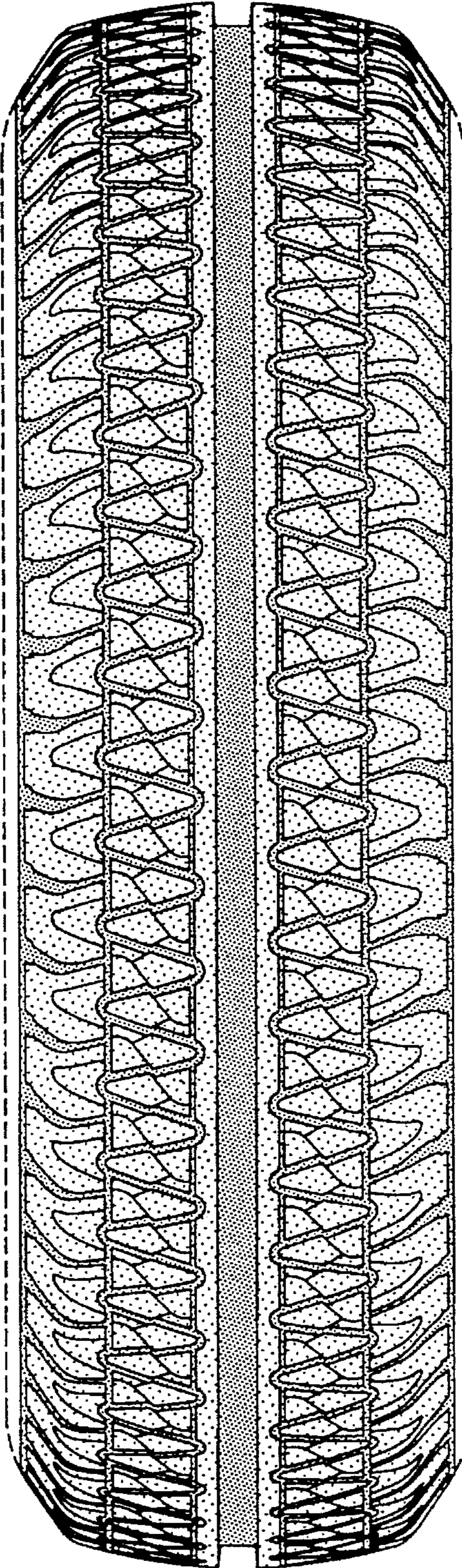


FIG-2

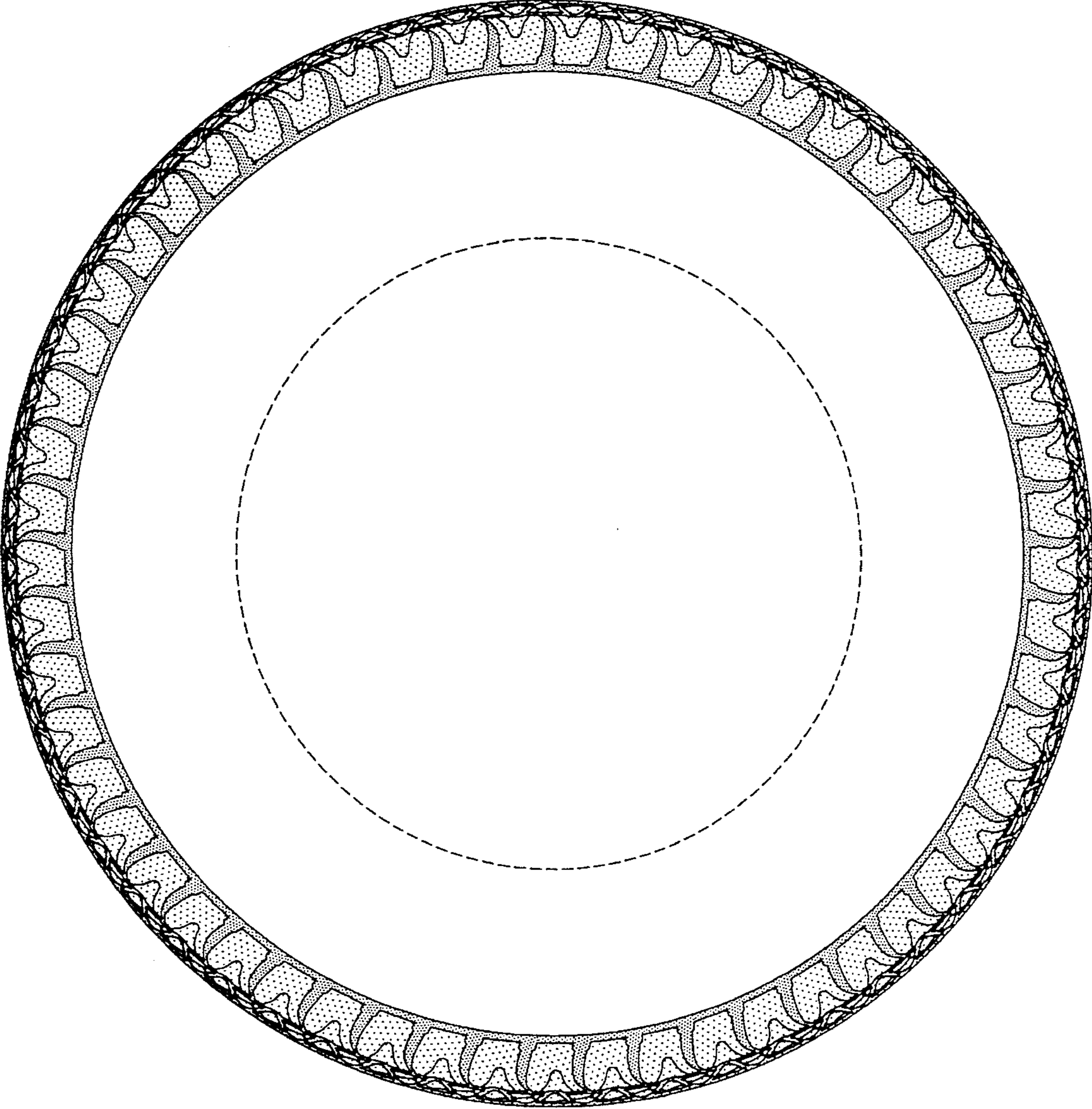


FIG-3

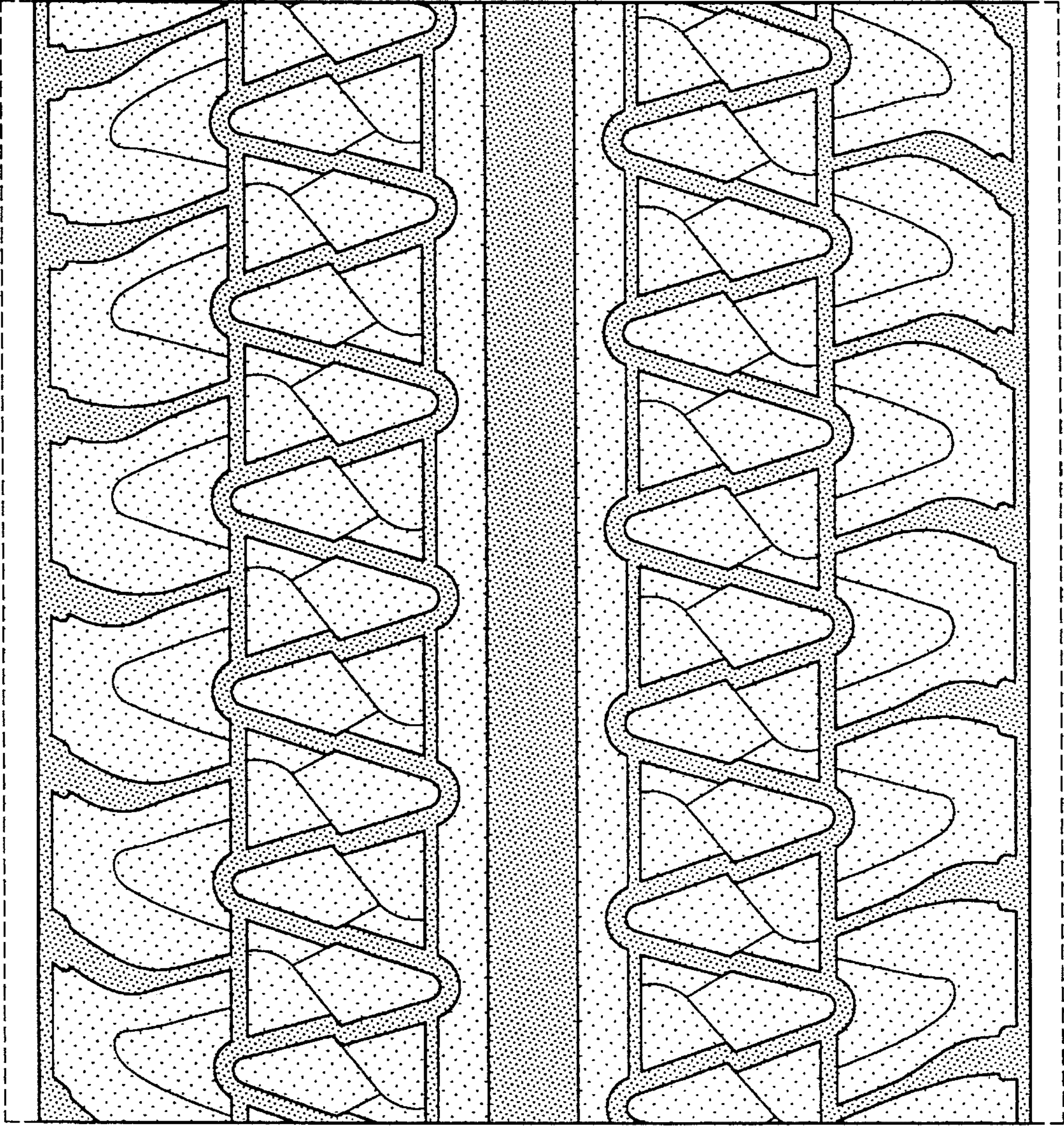


FIG-4