



US00D365062S

**United States Patent** [19]  
**Powell**

[11] **Patent Number: Des. 365,062**

[45] **Date of Patent: \*\*Dec. 12, 1995**

[54] **TIRE TREAD**

[75] Inventor: **Kenneth J. Powell**, Vaux-Sur-Sure, Belgium

[73] Assignee: **The Goodyear Tire & Rubber Company**, Akron, Ohio

[\*\*] Term: **14 Years**

[21] Appl. No.: **24,281**

[22] Filed: **Jun. 10, 1994**

[52] U.S. Cl. .... **D12/147**

[58] **Field of Search** ..... D12/141-143, D12/145-148; 152/209 R, 209 B, 209 D

[56] **References Cited**

**U.S. PATENT DOCUMENTS**

D. 334,360	3/1993	Grass et al. ....	D12/146
D. 335,114	4/1993	Uemura .....	D12/147
D. 340,889	11/1993	Himura et al. ....	D12/147
D. 348,241	6/1994	Graas et al. ....	D12/147
D. 352,489	11/1994	Breny et al. ....	D12/147

**OTHER PUBLICATIONS**

1994 Tread Design Guide, p. 7, Bridgestone G04 Tire, third row down from top, right side of page.

*Primary Examiner*—James M. Gandy  
*Attorney, Agent, or Firm*—T. P. Lewandowski

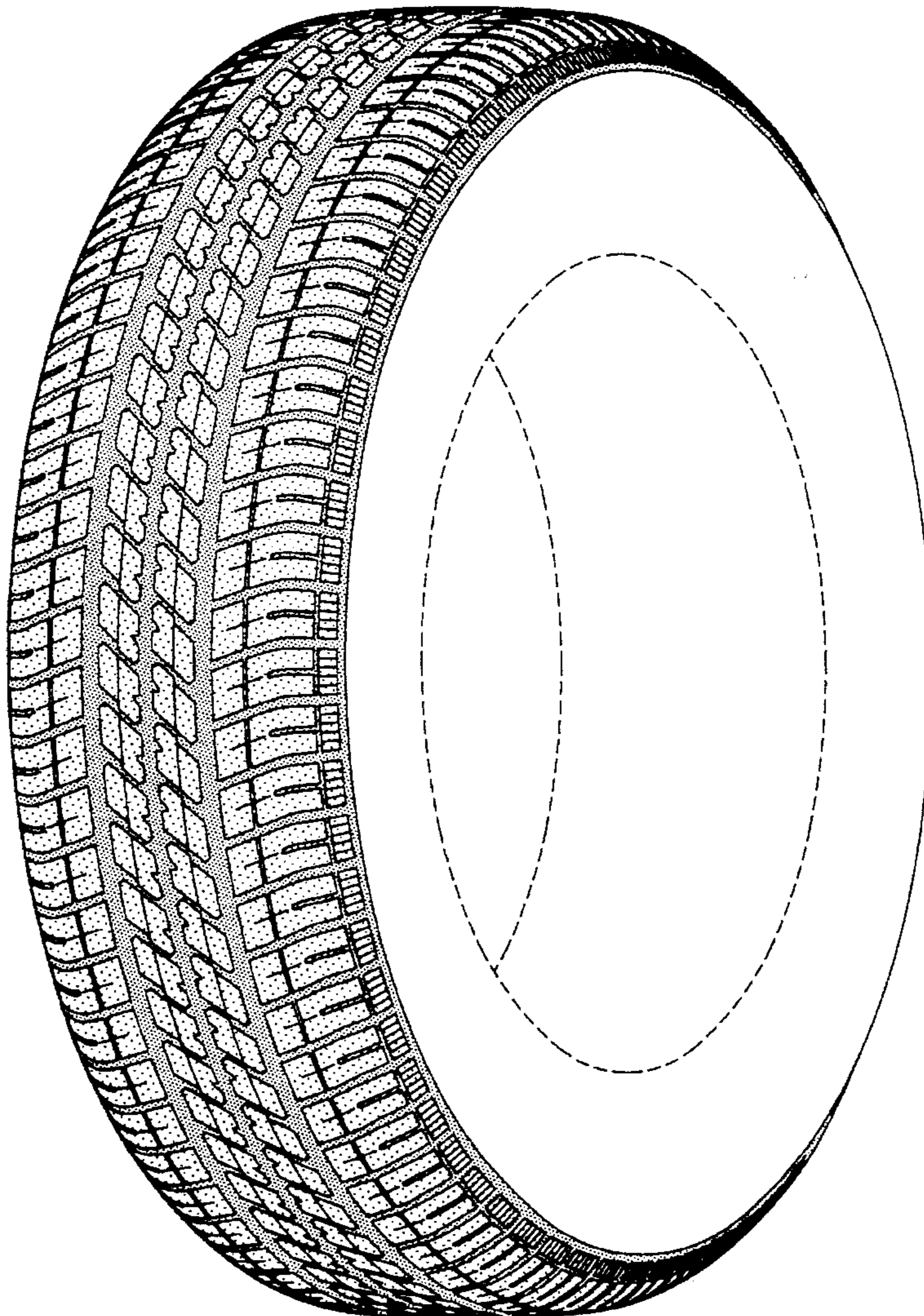
[57] **CLAIM**

The ornamental design for a tire tread, as shown and described.

**DESCRIPTION**

FIG. 1 is a perspective view of a tire tread; FIG. 2 is a front elevational view thereof; FIG. 3 is a side elevational view thereof; and, FIG. 4 is an enlarged fragmentary front view thereof. The tread pattern is understood to be repeated uniformly throughout the circumference of the tire tread. The broken line showing of the tire sidewall in the drawings is for illustrative purposes only and forms no part of the claimed design.

**1 Claim, 4 Drawing Sheets**



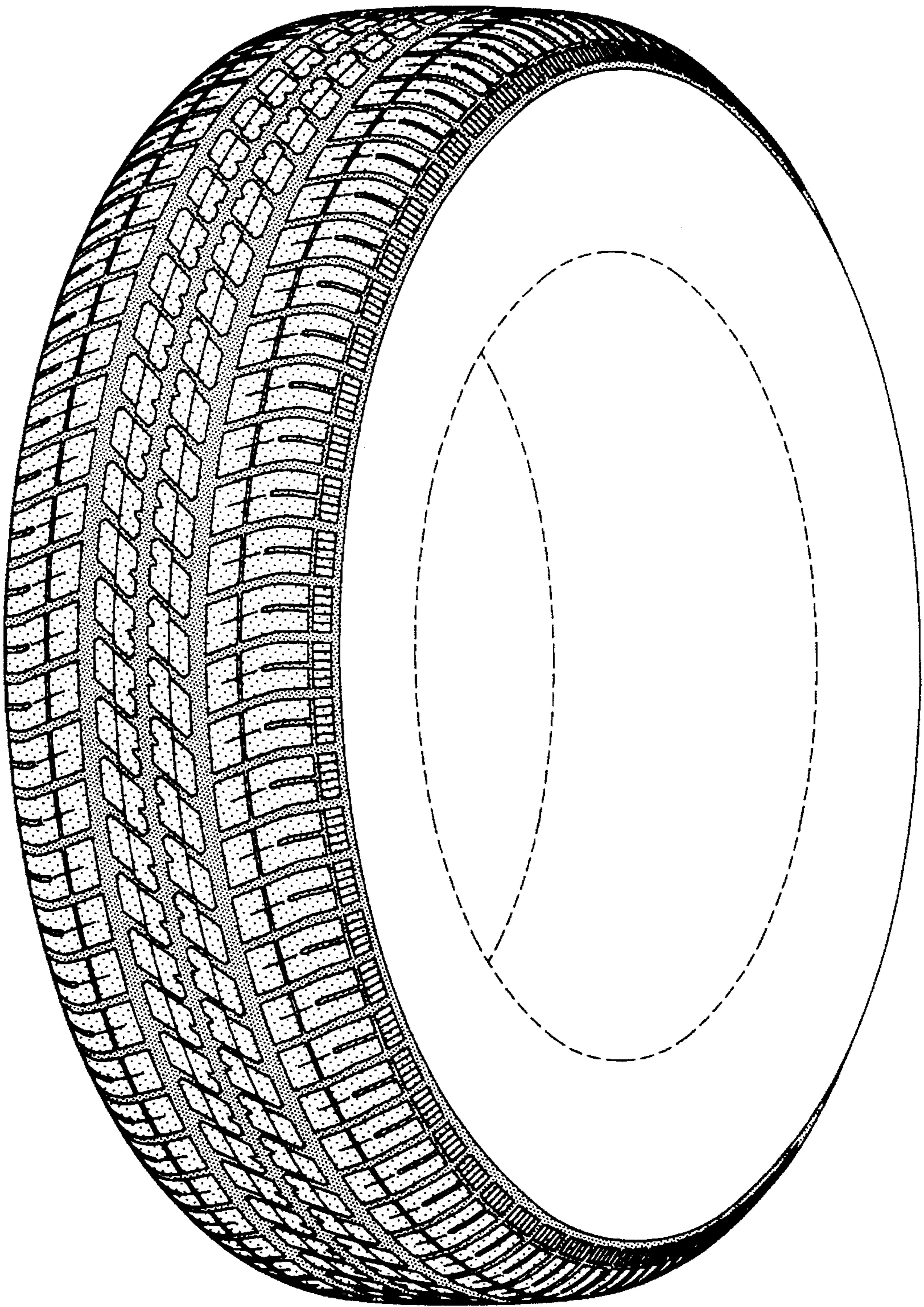


FIG-1

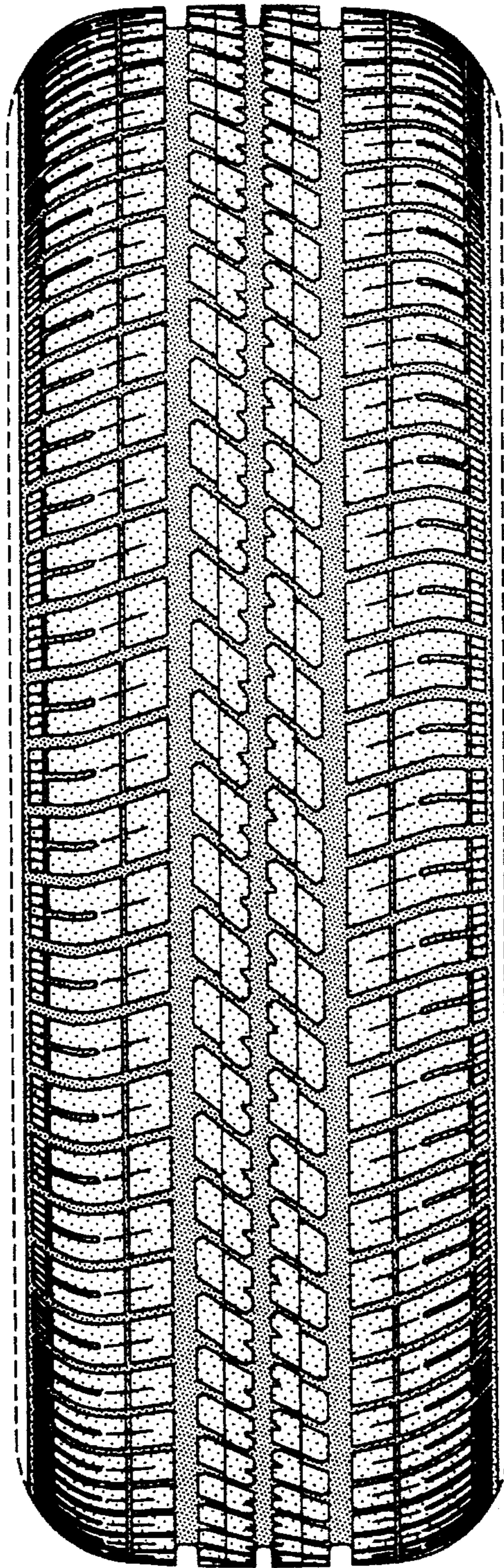


FIG-2

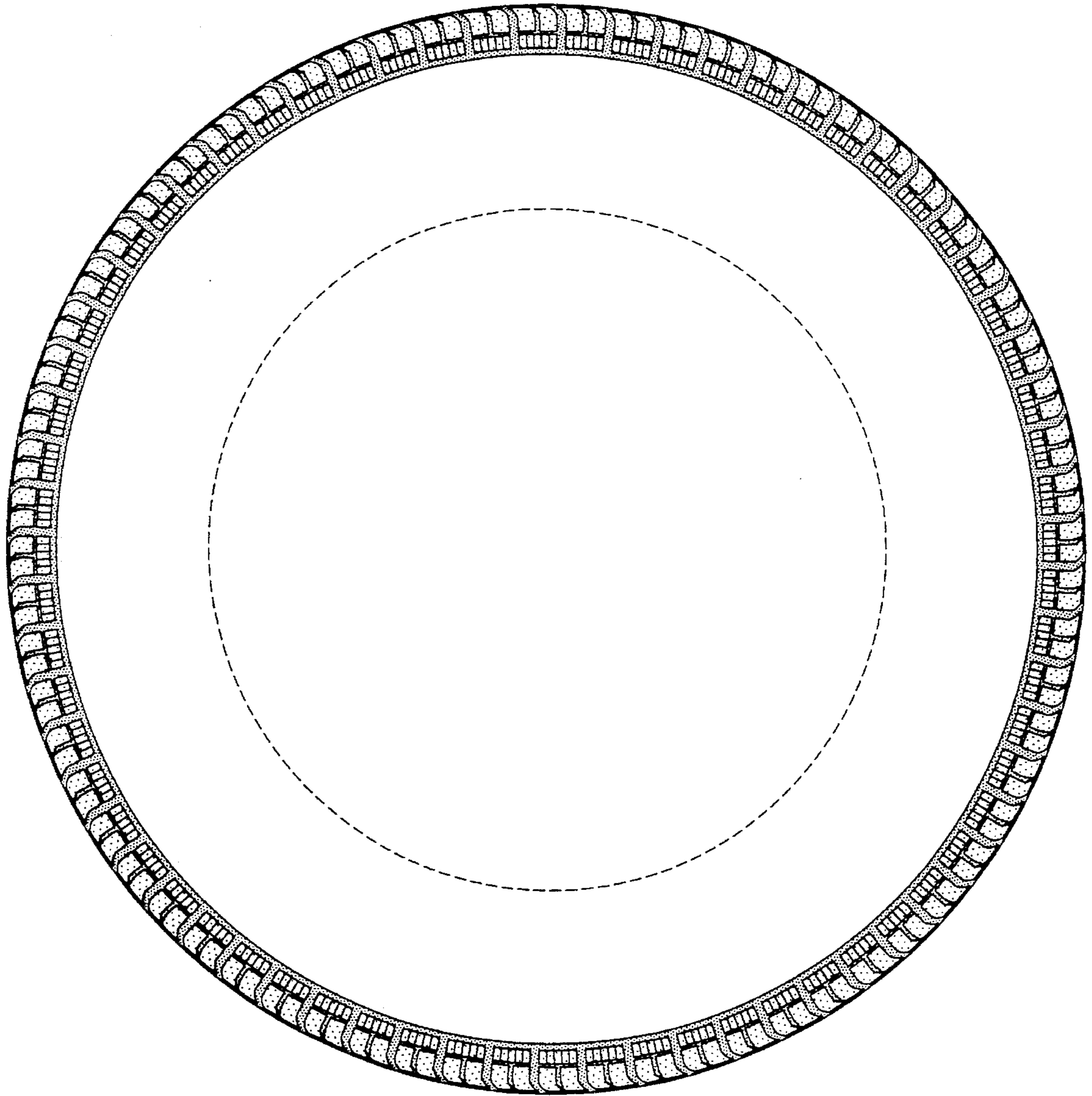


FIG-3

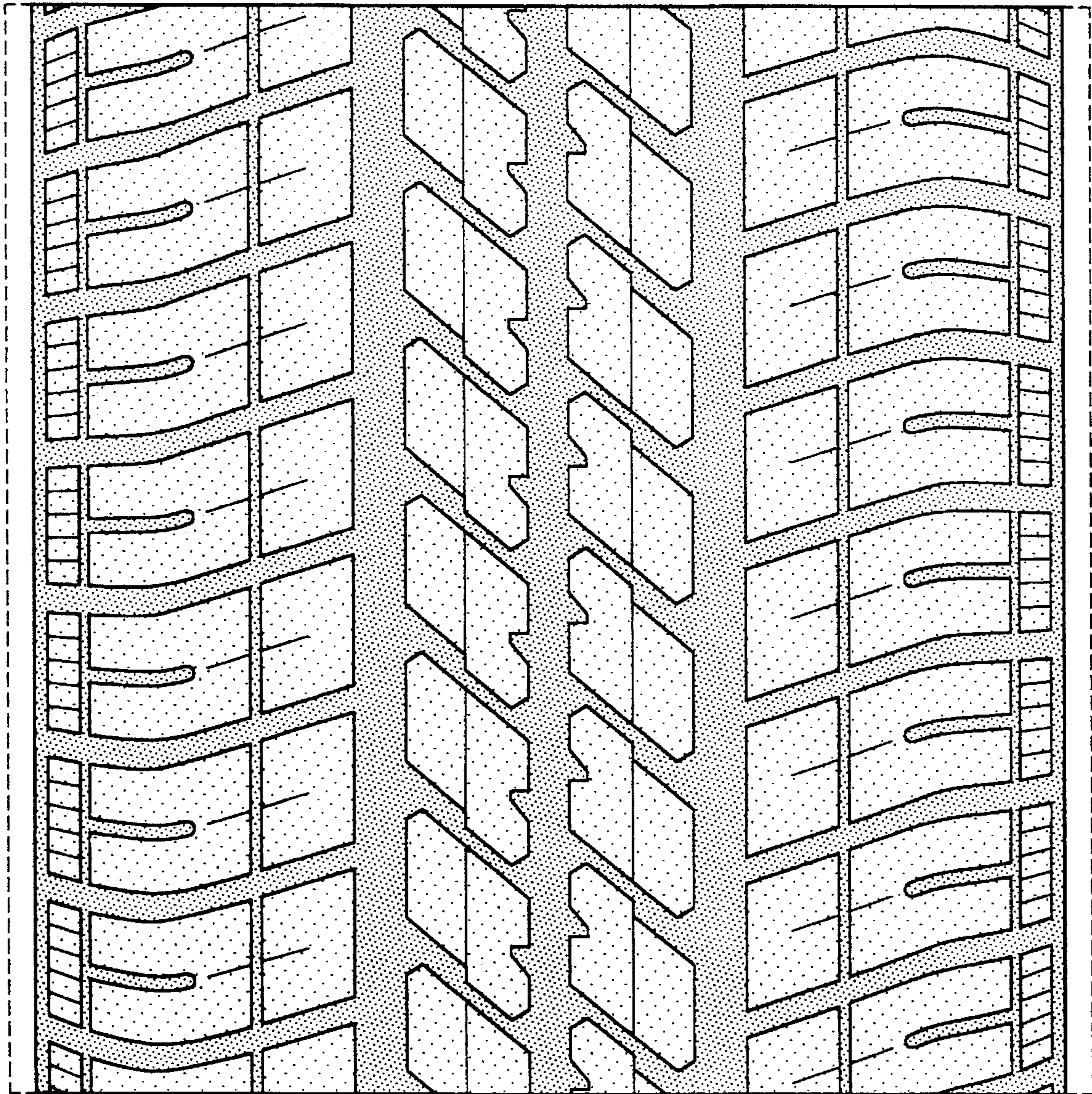


FIG-4