



US00D365061S

# United States Patent [19]

[11] Patent Number: **Des. 365,061**

Lassan et al.

[45] Date of Patent: **\*\*Dec. 12, 1995**

## [54] TIRE TREAD

[75] Inventors: **Timothy J. Lassan**, Kent; **Timothy F. Robinson**, North Canton, both of Ohio

[73] Assignee: **Bridgestone/Firestone, Inc.**, Akron, Ohio

[\*\*] Term: **14 Years**

[21] Appl. No.: **22,773**

[22] Filed: **May 11, 1994**

[52] U.S. Cl. .... **D12/147**

[58] Field of Search ..... **D12/141-143, D12/146-148, 136; 152/209 R, 209 B, 209 D**

## [56] References Cited

### U.S. PATENT DOCUMENTS

D. 265,185	6/1982	Grohmann et al. ....	D12/146
D. 265,303	7/1982	Yokoyama .....	D12/147
D. 304,166	10/1989	Grass .....	D12/143
D. 328,271	7/1992	Guspodin et al. ....	D12/147
D. 329,218	9/1992	Ohtsu .....	D12/147
D. 346,774	5/1994	Brayer et al. ....	D12/147
D. 350,925	9/1994	Manestar .....	D12/147
3,926,238	12/1975	Vorih .....	152/209
4,690,189	9/1987	Bradisse et al. ....	152/209

## OTHER PUBLICATIONS

1993 Tread Design Guide, p. 19, Centennial Constitution Radial Tire, top right side of page & Continental 4-Season Contact CH-94 Tire, bottom center of page.

*Primary Examiner*—James M. Gandy  
*Attorney, Agent, or Firm*—Carmen Santa Maria

## [57] CLAIM

The ornamental design for a tire tread, as shown and described.

## DESCRIPTION

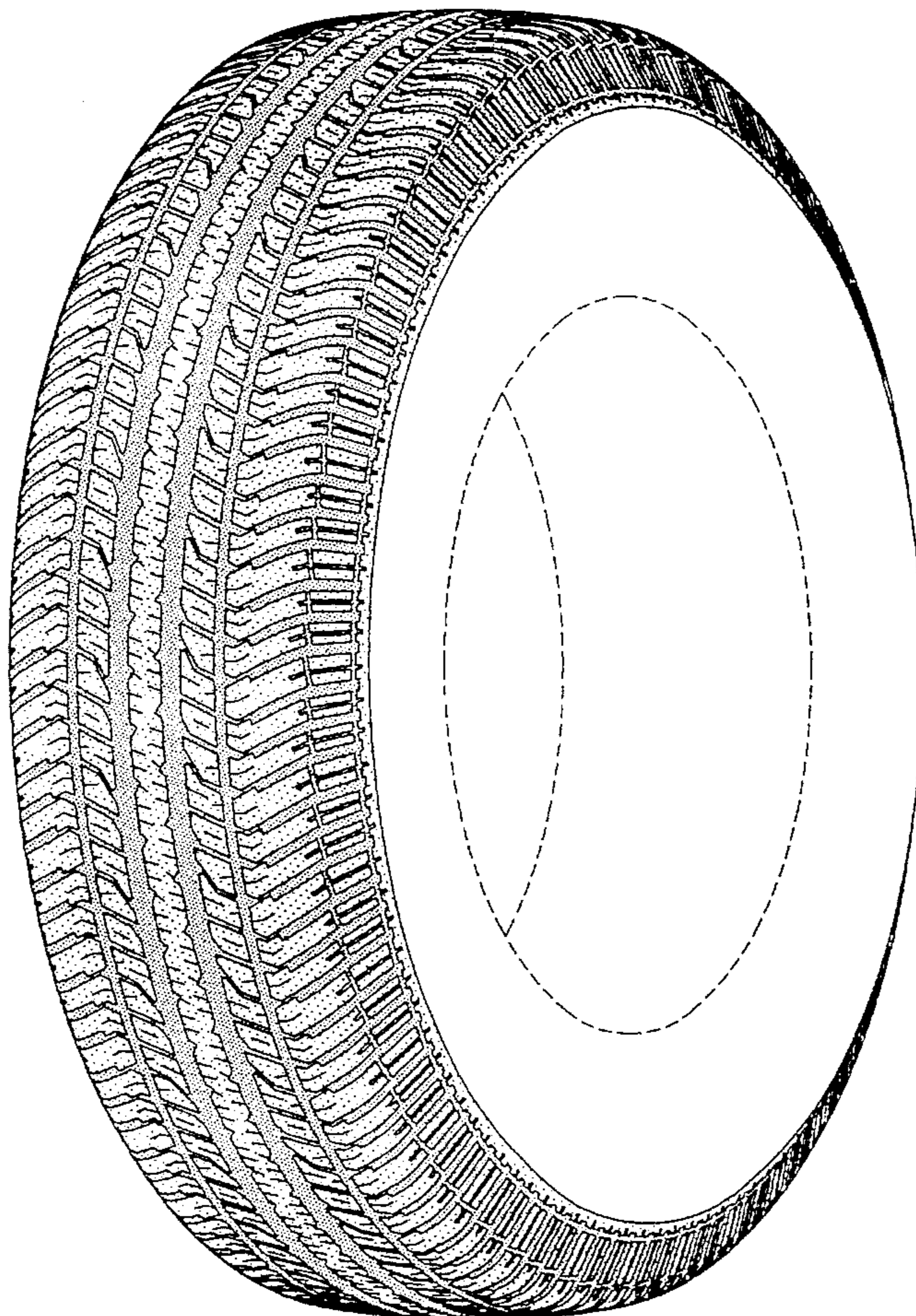
FIG. 1 is a right side perspective view of a tire tread showing our new design, it being understood that the tread pattern is repeated throughout the circumference of the tire tread, the opposite side being substantially the same as that shown; FIG. 2 is a front elevational view thereof;

FIG. 3 is a right side elevational view the opposite side being a mirror image thereof; and,

FIG. 4 is an enlarged fragmentary front elevational view thereof.

The broken line showing of the tire sidewall in the drawings is for illustrative purposes only and forms no part of the claimed design.

**1 Claim, 4 Drawing Sheets**



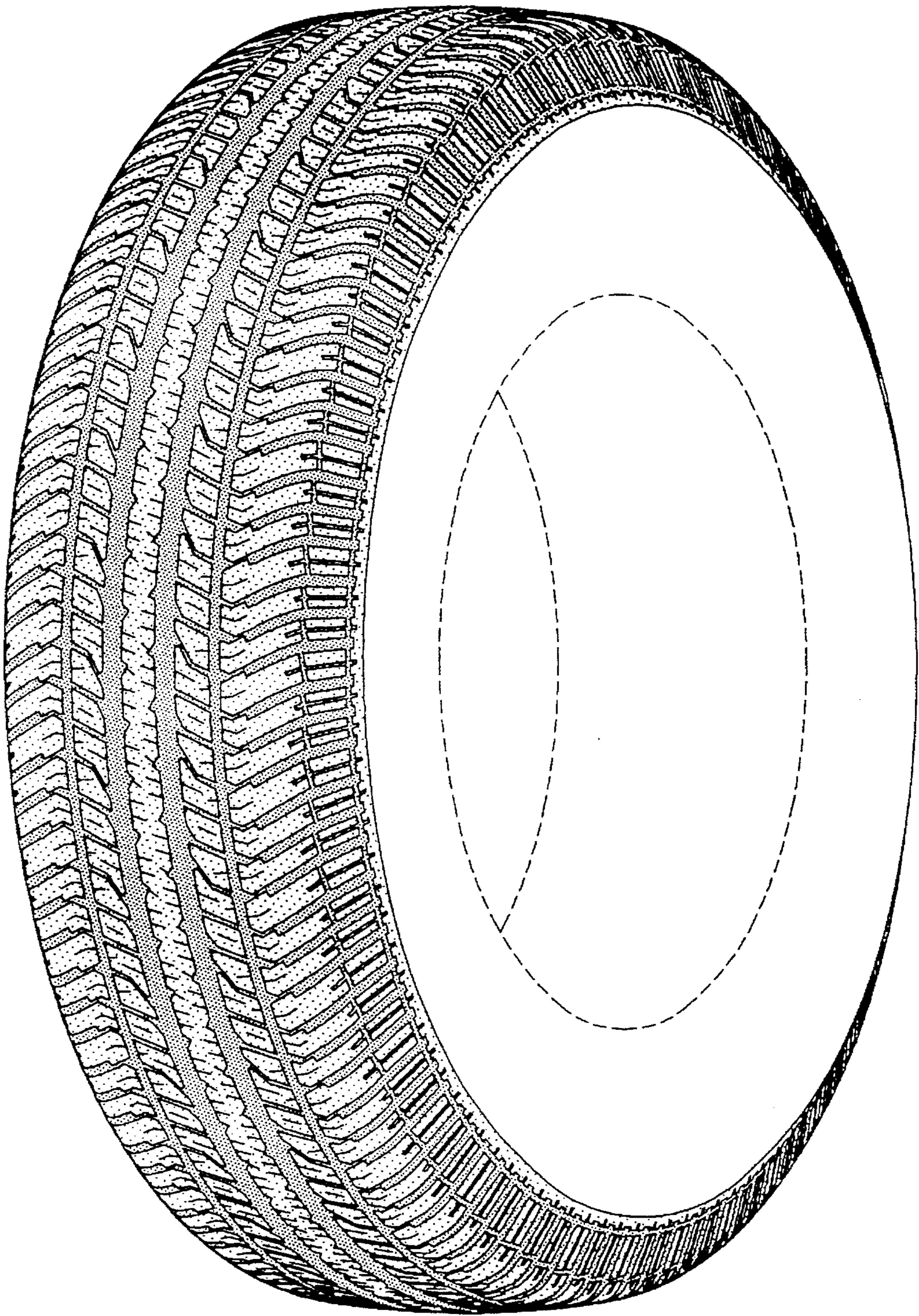


FIG-1

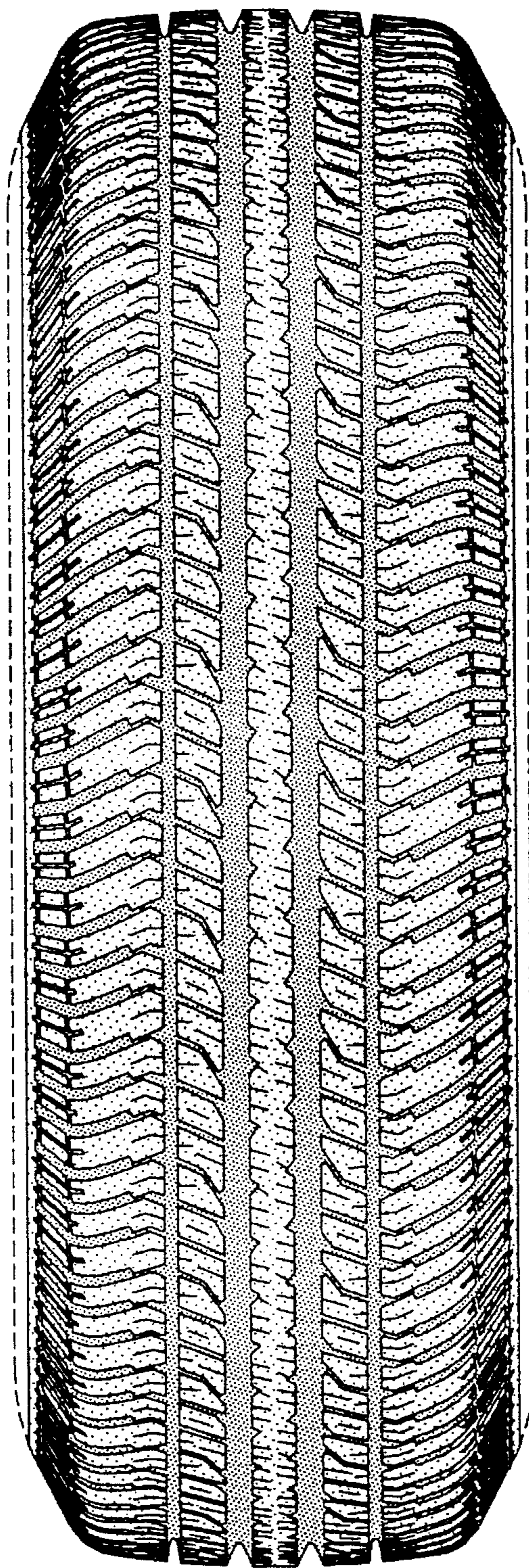


FIG-2

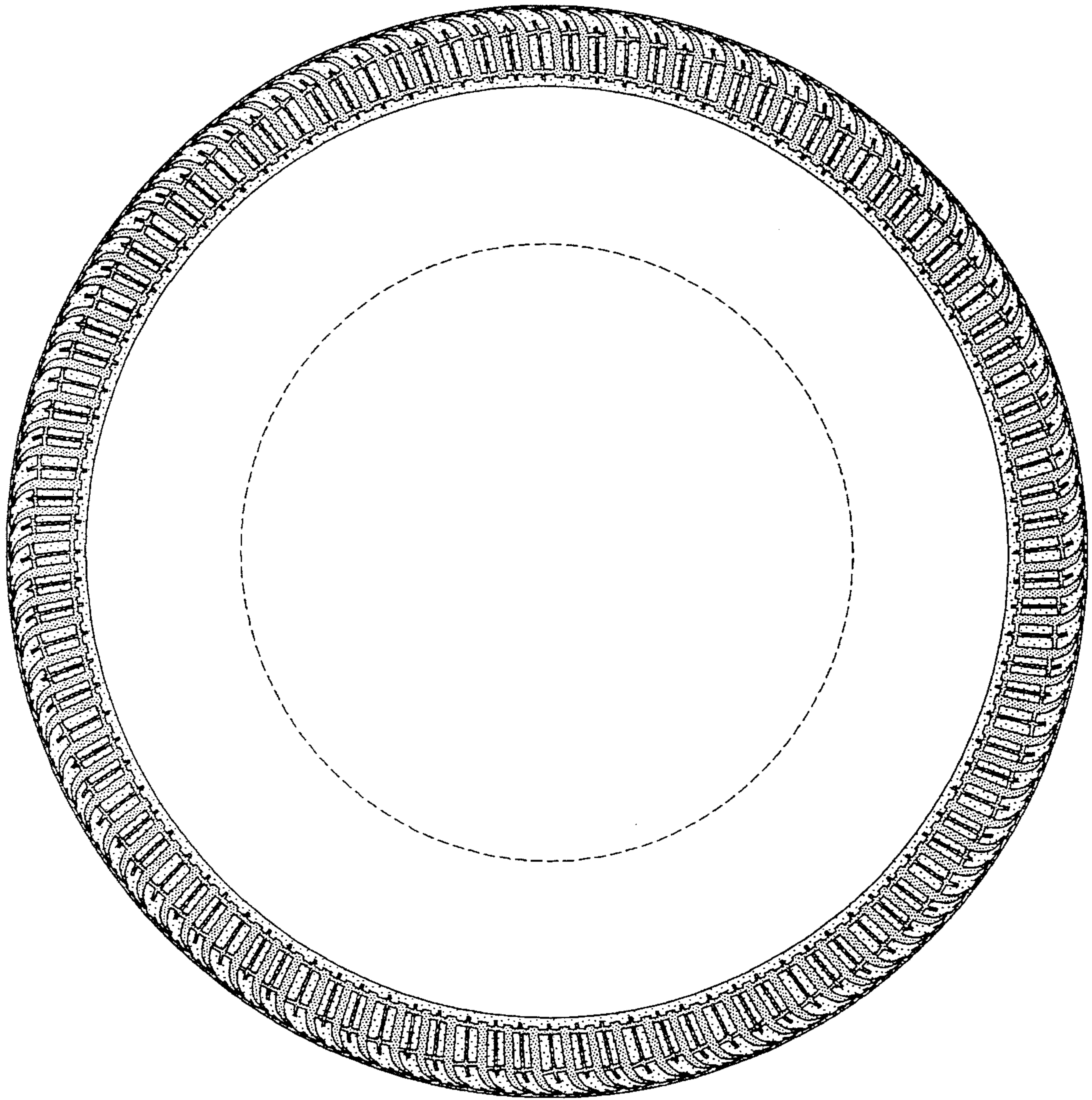


FIG-3

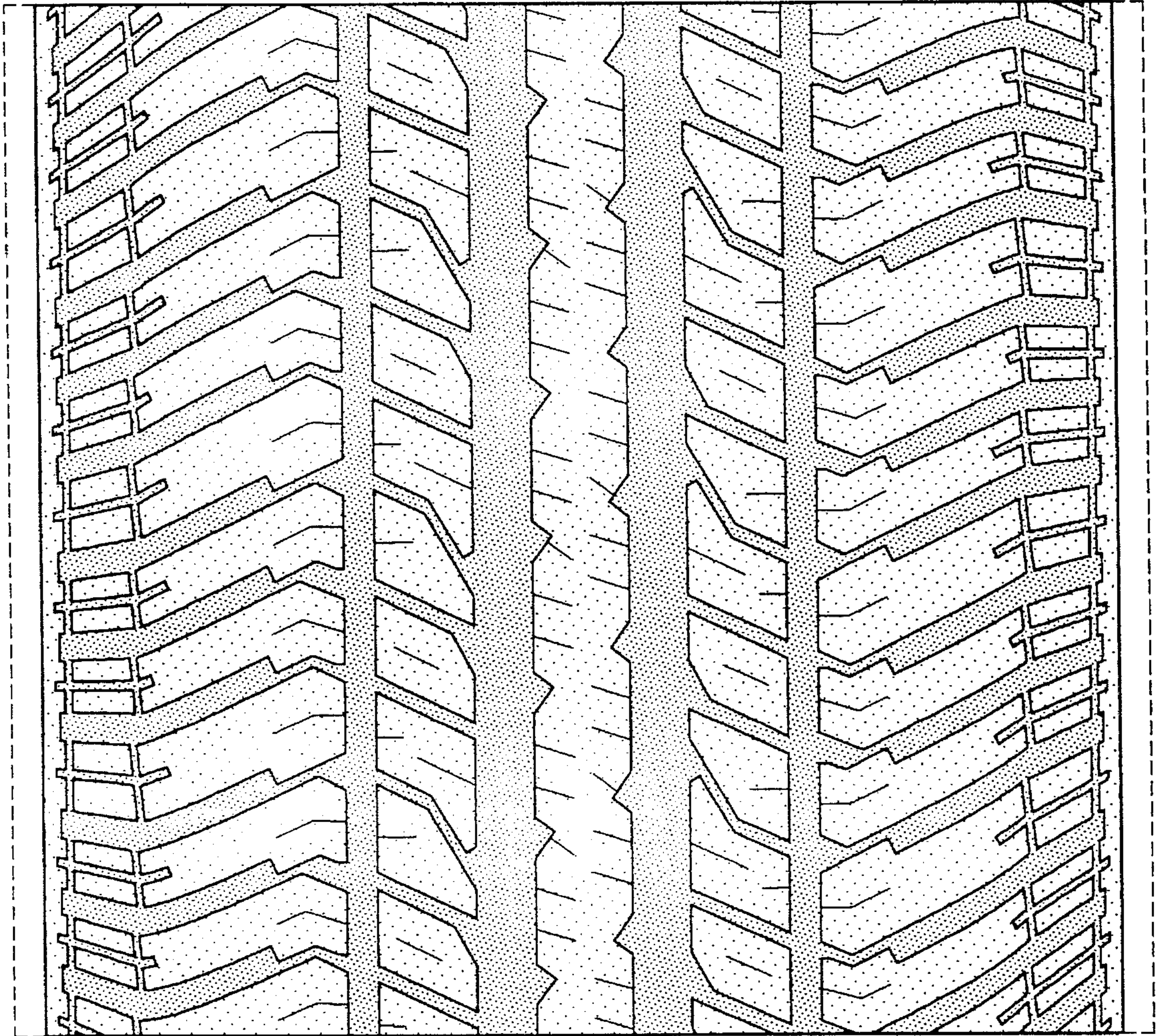


FIG-4