



US00D365049S

United States Patent [19]
Kuylman

[11] **Patent Number: Des. 365,049**

[45] **Date of Patent: **Dec. 12, 1995**

[54] **CRANK ARM SET FOR BICYCLE**

[76] Inventor: **Stephan J. Kuylman**, 12362 Lorna St.,
Garden Grove, Calif. 92641

[**] Term: **14 Years**

[21] Appl. No.: **23,301**

[22] Filed: **Jun. 28, 1994**

[52] U.S. Cl. **D12/123**

[58] Field of Search D12/123; 74/594.1,
74/594.4, 594.3; 474/160; 280/259, 260

[56] **References Cited**

U.S. PATENT DOCUMENTS

D. 356,526	3/1995	Burns	D12/123
5,179,873	1/1993	Gervin	D12/123
5,197,353	3/1993	Trenerry et al.	74/594.1

Primary Examiner—A. Hugo Word
Assistant Examiner—M. Brown
Attorney, Agent, or Firm—Willie Krawitz

[57] **CLAIM**

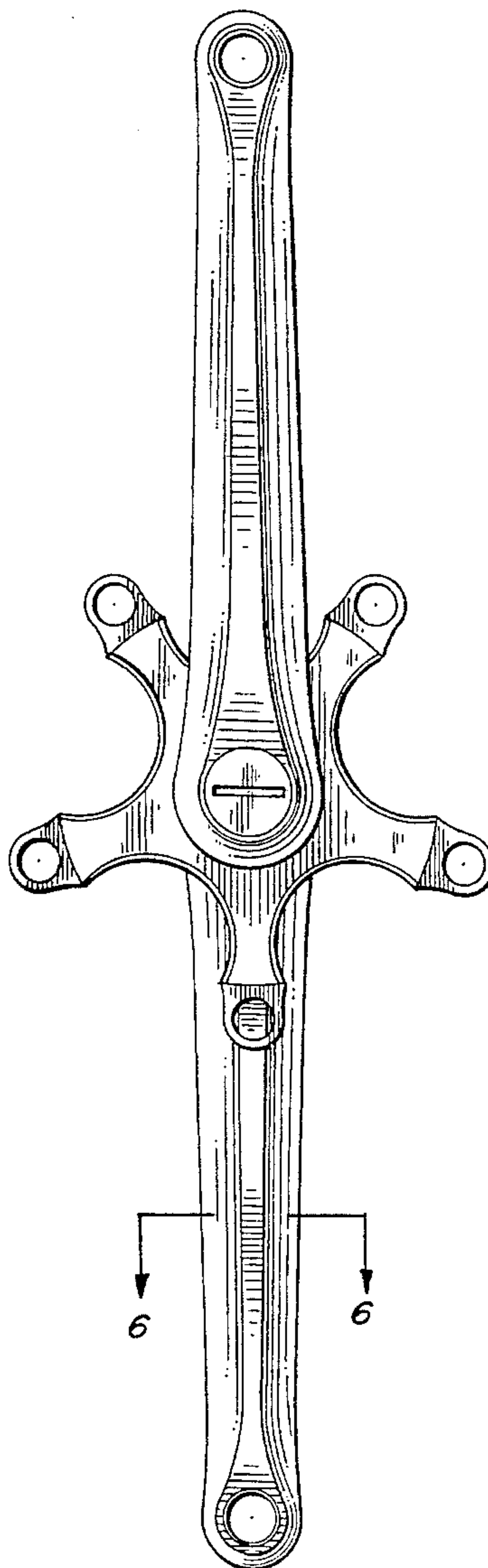
The ornamental design for a crank arm set for bicycle, as shown and described.

DESCRIPTION

FIG. 1 is a front elevation view thereof;
FIG. 2 is a rear elevation view thereof;
FIG. 3 is a side view thereof;
FIG. 4 is a bottom view thereof;
FIG. 5 is a top plan view thereof; and,
FIG. 6 is a cross sectional view taken along lines 6—6 of FIG. 1.

The broken lines shown in FIGS. 3, 4 and 5 are shown for illustrative purposes only and forms no part of the claimed design.

1 Claim, 2 Drawing Sheets



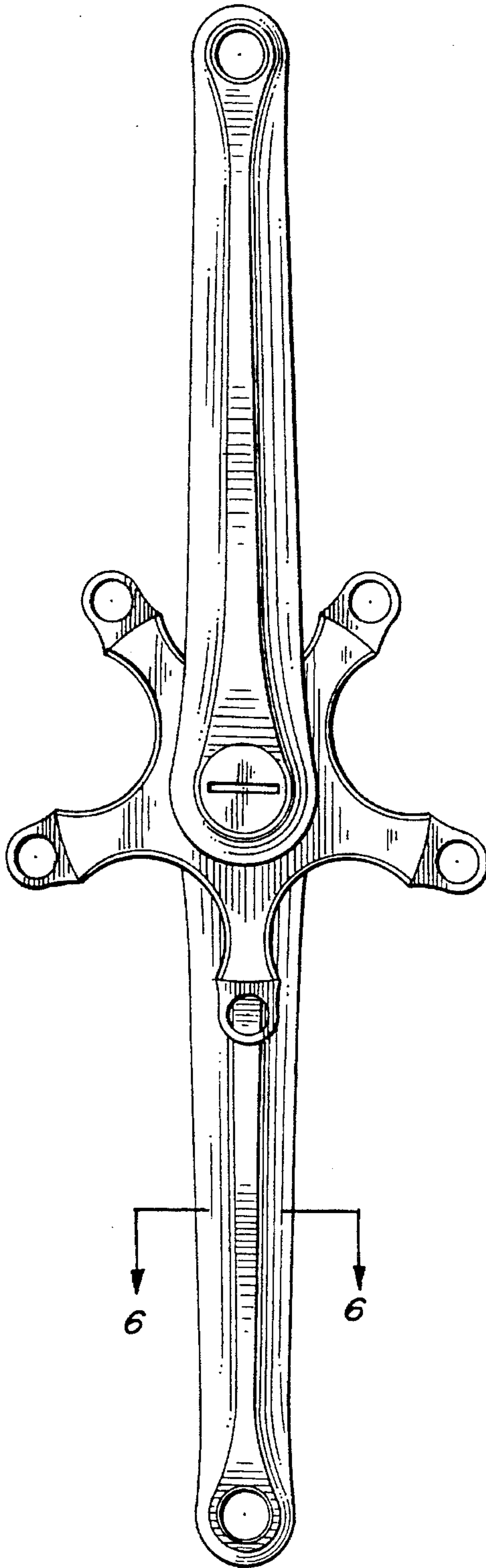


FIG. 1

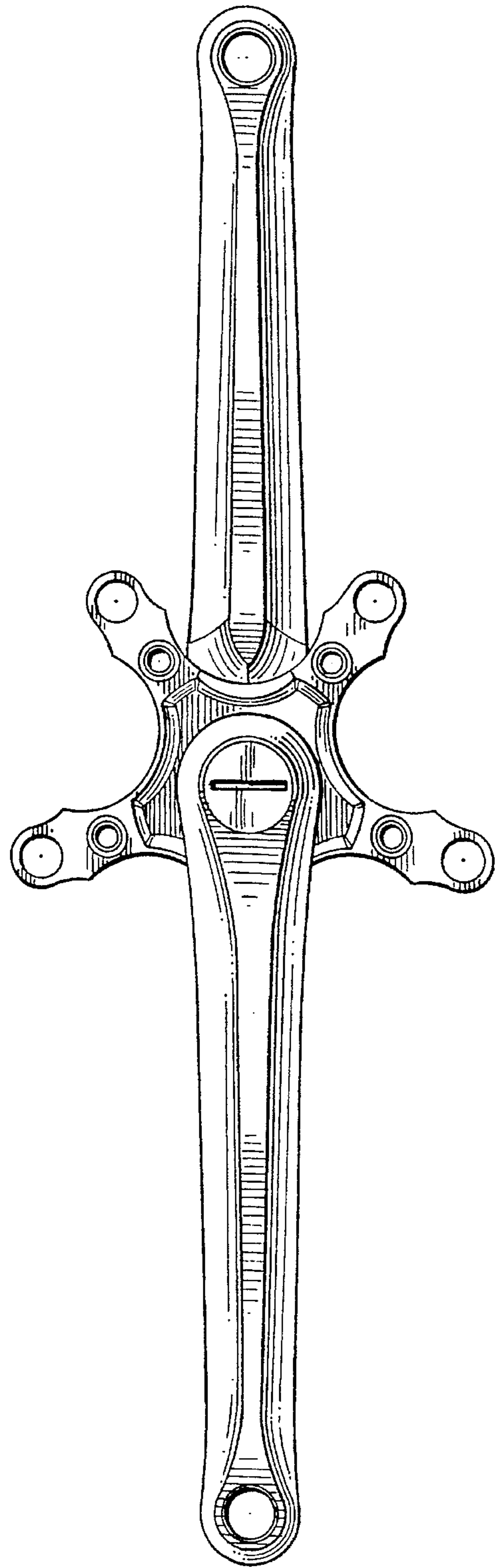


FIG. 2

FIG. 3

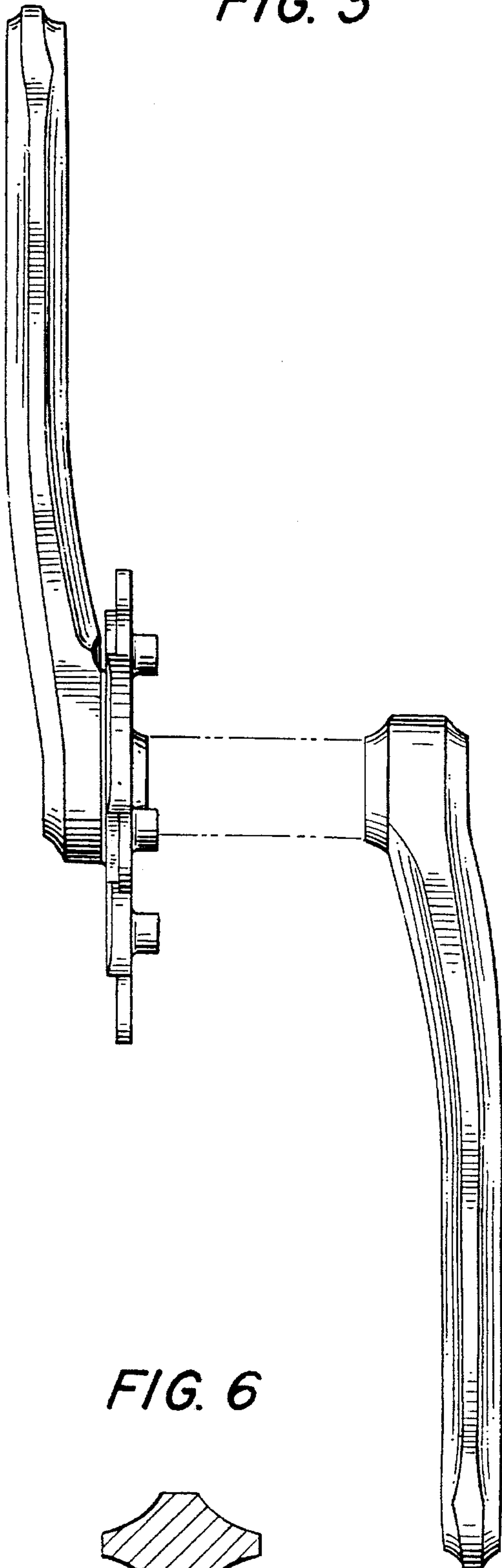


FIG. 6

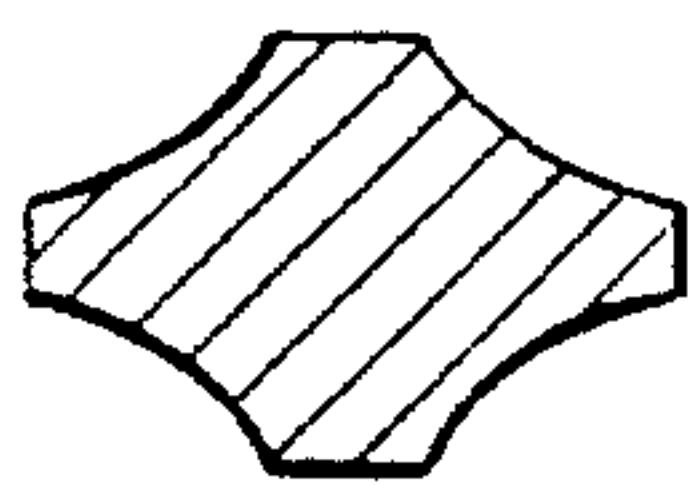


FIG. 4

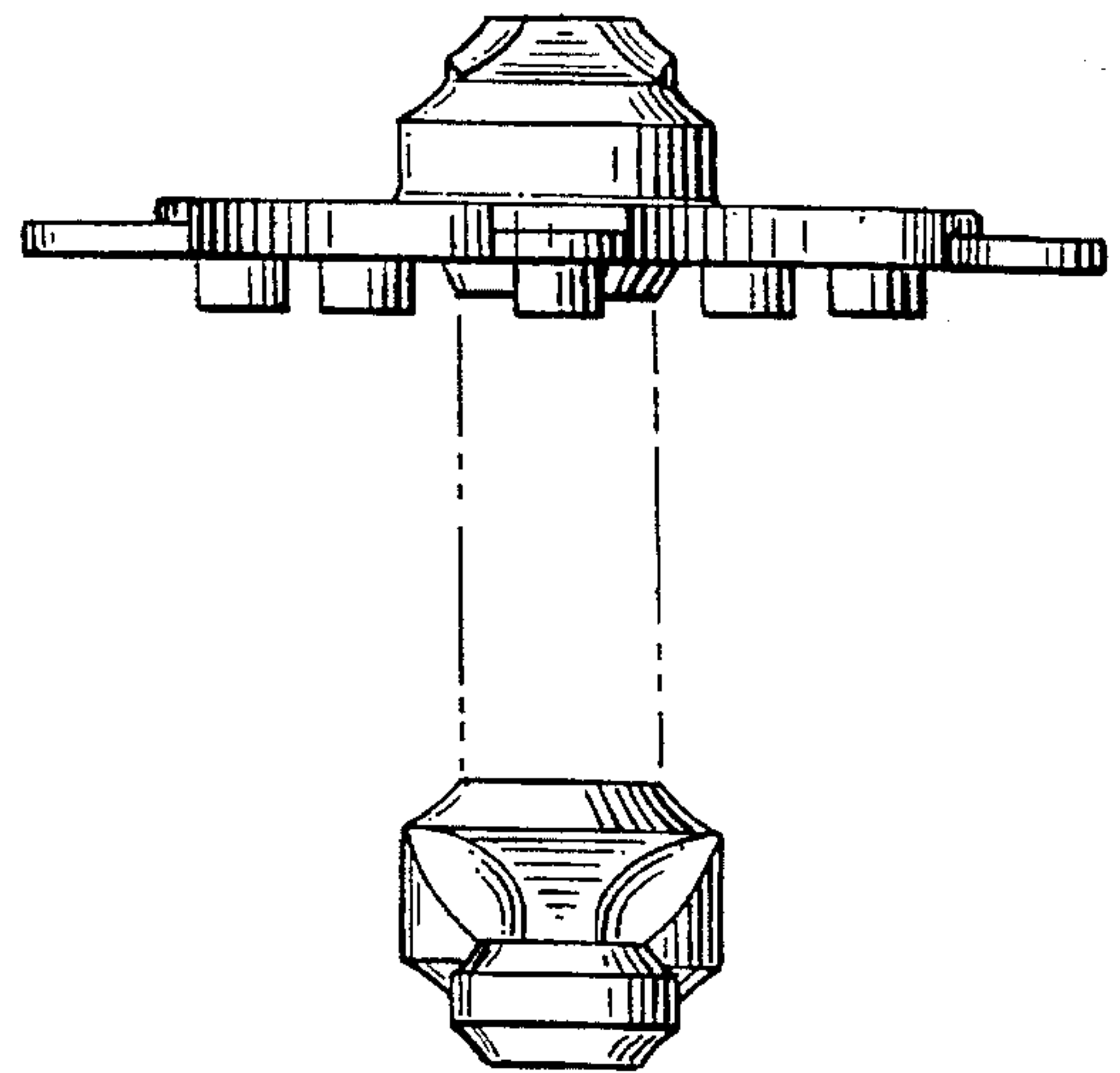


FIG. 5

