



US00D365048S

United States Patent [19]

[11] Patent Number: **Des. 365,048**

Fang

[45] Date of Patent: ****Dec. 12, 1995**

[54] **BIKE FRAME**

[75] Inventor: **Mu-Tung Fang**, Tainan, Taiwan

[73] Assignee: **Yuh Jiun Industrial Co., Ltd.**, Tainan City, Taiwan

[**] Term: **14 Years**

[21] Appl. No.: **28,384**

[22] Filed: **Sep. 13, 1994**

[52] U.S. Cl. **D12/111**

[58] Field of Search D12/111, 114, D12/117; 280/281.1, 288.1, 288.2, 288.3

[56] **References Cited**

U.S. PATENT DOCUMENTS

D. 246,170	10/1977	Powers	D12/111
D. 291,292	8/1987	Smith et al.	D12/111
D. 343,599	1/1994	Camfield et al.	D12/111
D. 345,325	3/1994	Camfield et al.	D12/111
D. 359,467	6/1995	Hsieh	D12/117

Primary Examiner—A. Hugo Word
Assistant Examiner—M. Brown
Attorney, Agent, or Firm—Morton J. Rosenberg; David I. Klein

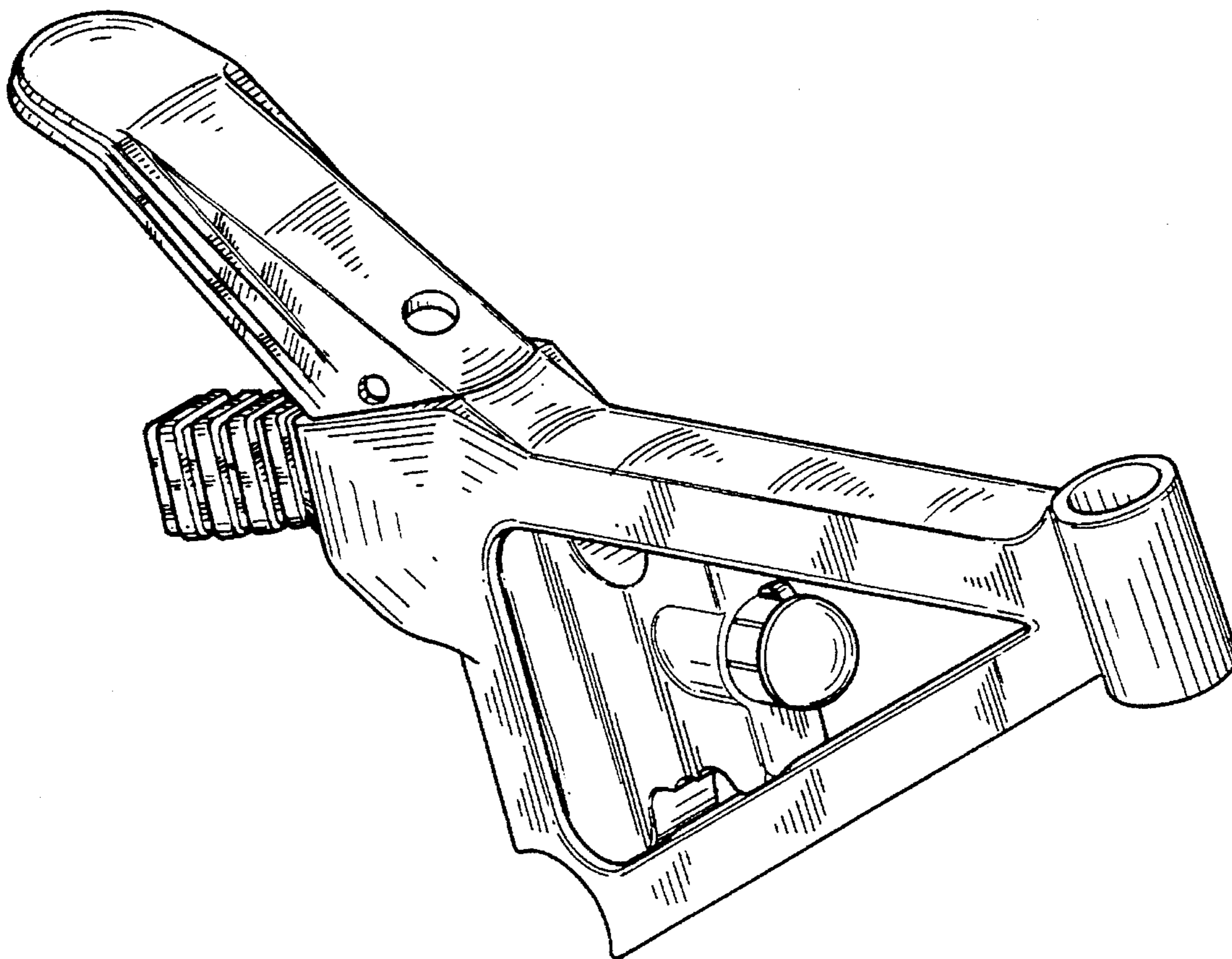
[57] **CLAIM**

The ornamental design for a bike frame, as shown and described.

DESCRIPTION

FIG. 1 is a perspective view of a bike frame showing my present design;
FIG. 2 is a front view thereof;
FIG. 3 is a rear view thereof;
FIG. 4 is a left view thereof;
FIG. 5 is a right view thereof;
FIG. 6 is a top plan view thereof; and,
FIG. 7 is a bottom plan view.

1 Claim, 4 Drawing Sheets



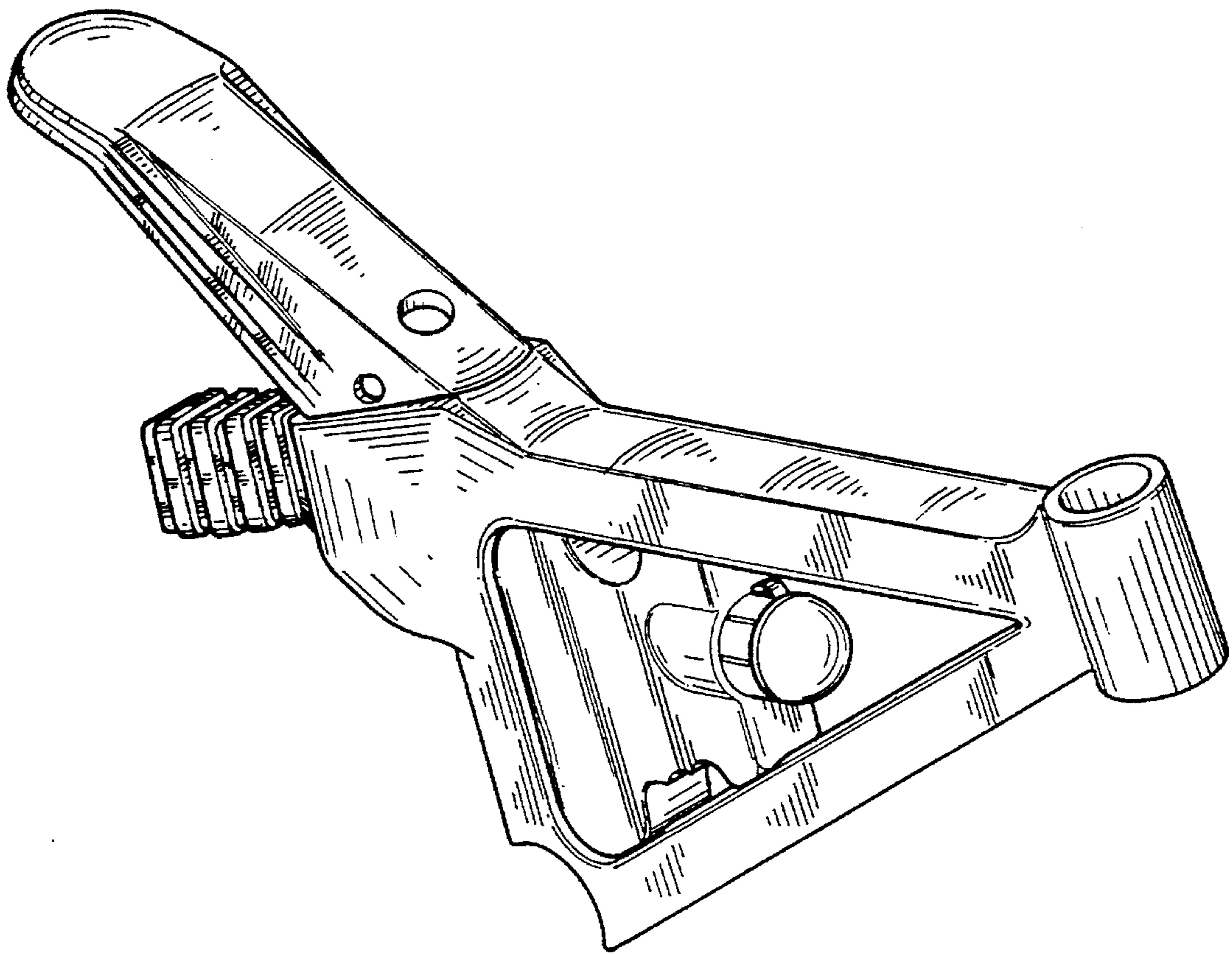


FIG. 1

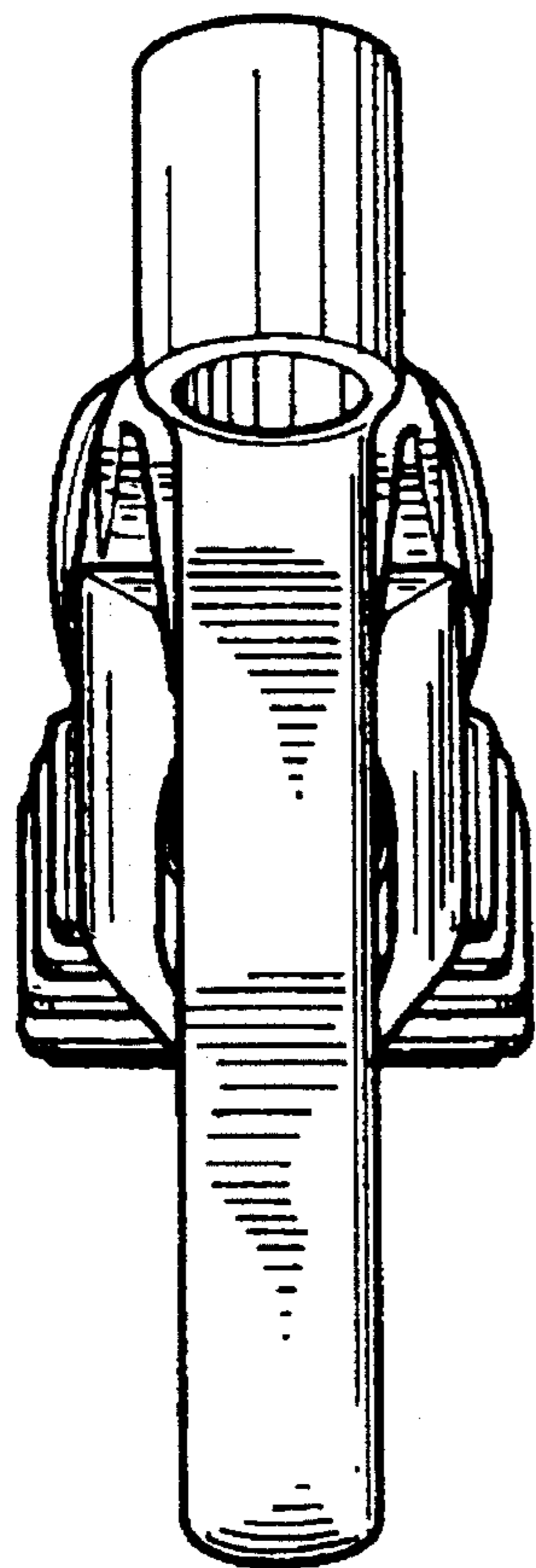


FIG. 2

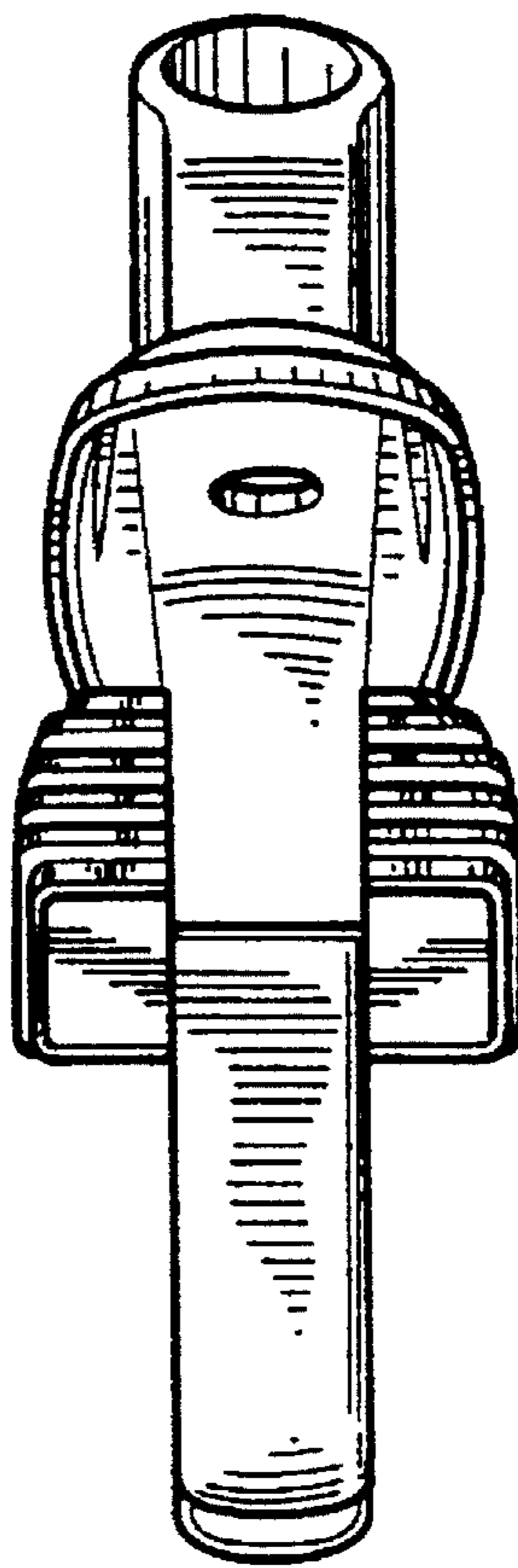


FIG. 3

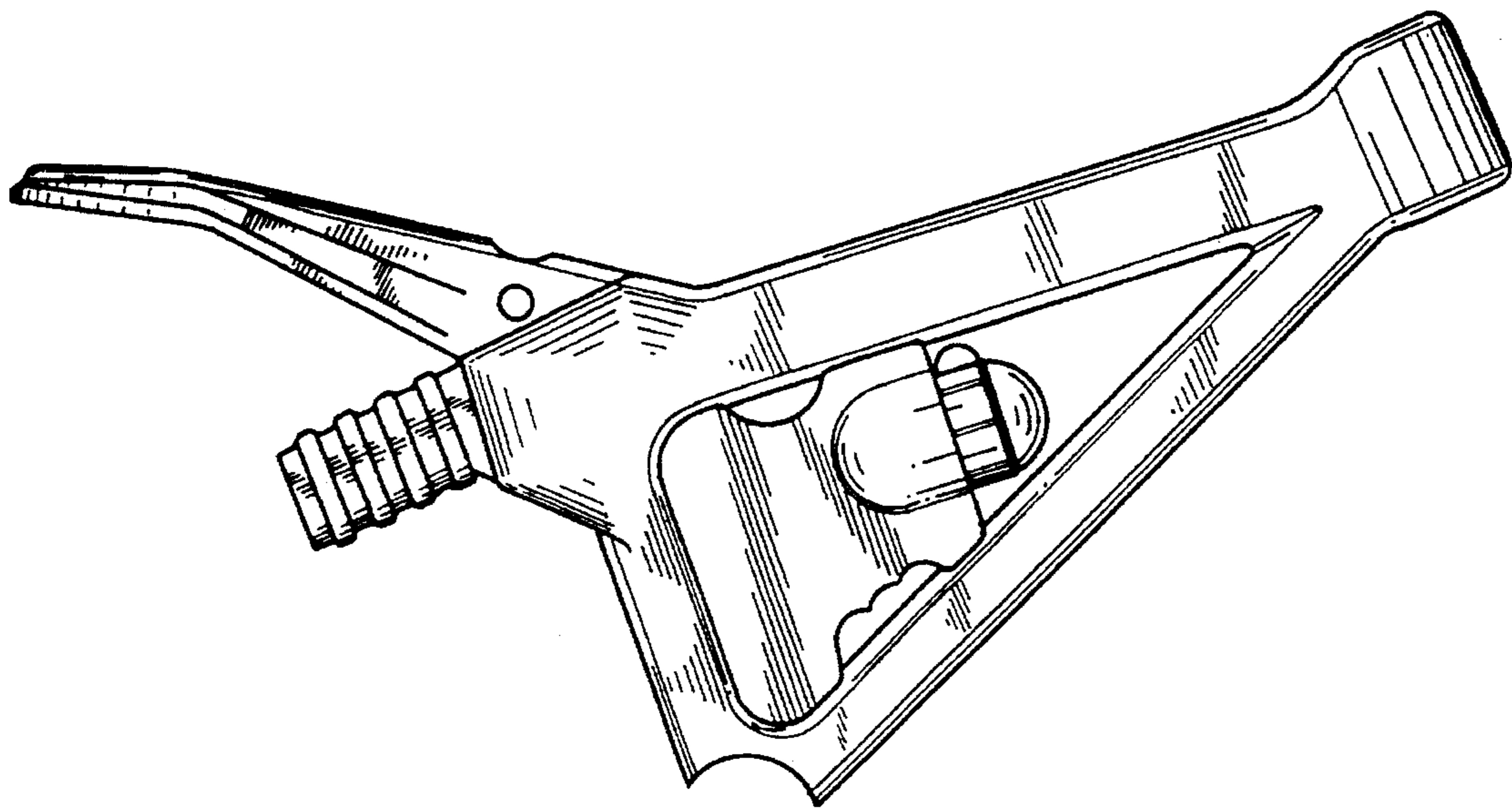


FIG. 4

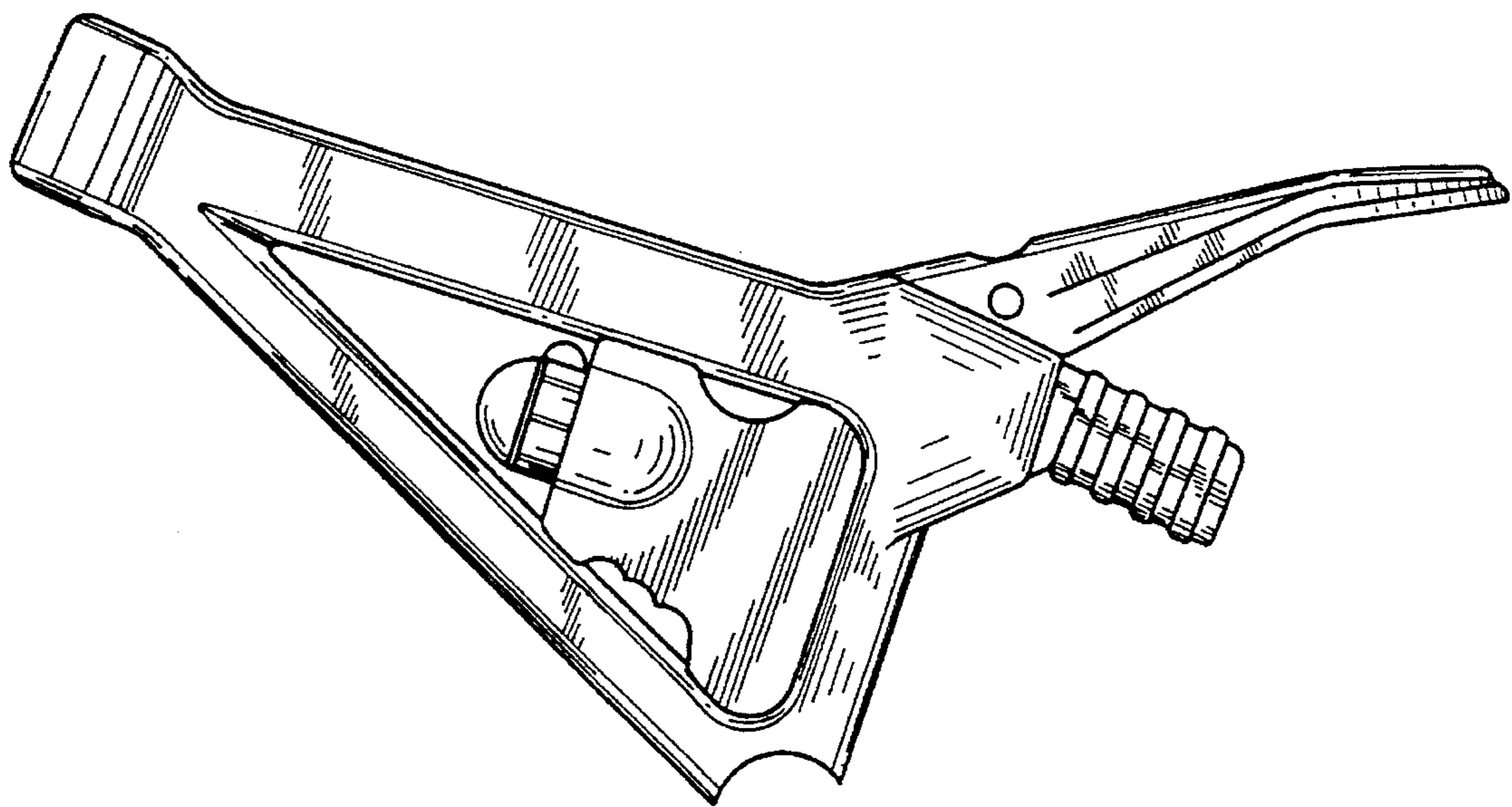


FIG. 5

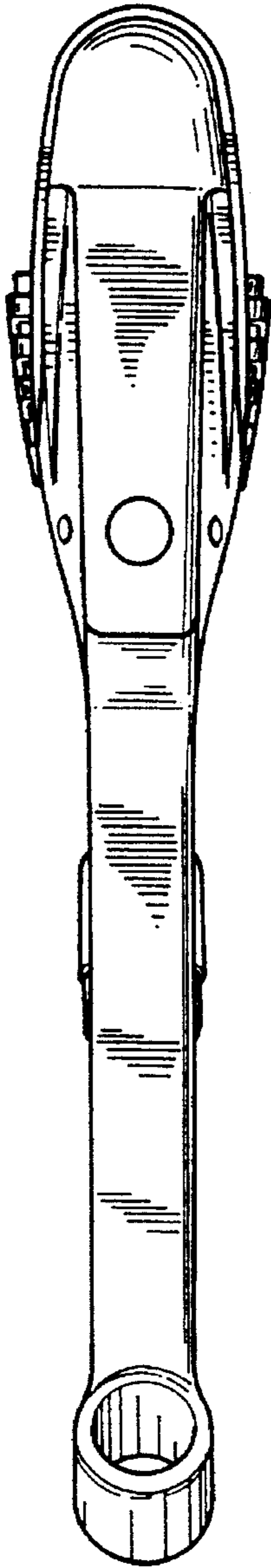


FIG. 6

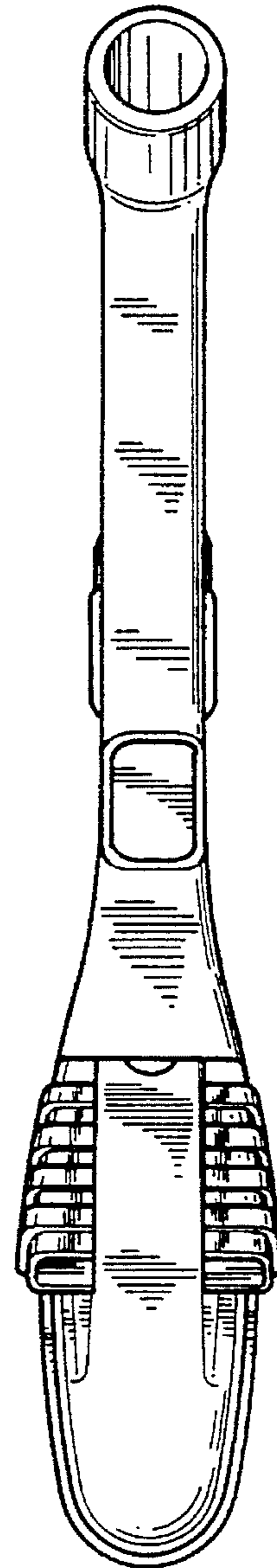


FIG. 7