



US00D365045S

# United States Patent [19]

[11] Patent Number: **Des. 365,045**

**Mercurio**

[45] Date of Patent: **\*\*Dec. 12, 1995**

[54] **BUTTON FASTENER**

2,571,719	10/1951	Huelster	.....	24/94
2,712,262	7/1955	Knohl	.....	D8/399
2,799,910	7/1957	Weber	.....	D11/220
3,013,598	12/1961	Marcy	.....	D8/399

[76] Inventor: **Gregory F. Mercurio**, 1164 Scituate Ave., Cranston, R.I. 02921

[\*\*] Term: **14 Years**

*Primary Examiner*—Ralph T. Seifert  
*Attorney, Agent, or Firm*—Salter & Michaelson

[21] Appl. No.: **22,180**

[57] **CLAIM**

[22] Filed: **Apr. 28, 1994**

The ornamental design for a button fastener, as shown and described.

[52] U.S. Cl. .... **D11/220**

[58] **Field of Search** ..... D11/200, 220, D11/222, 228, 231, 99; 24/90.5, 94-96, 91-92, 113 R, 90 C-90 R; D8/388, 386, 382, 349, 399; 411/510, 509

### DESCRIPTION

FIG. 1 is an exploded perspective view of a button fastener showing my new design, the broken line showing of a button is for illustrative purposes only and forms no part of the claimed design;

FIG. 2 is a side view thereof;

FIG. 3 is a top view thereof;

FIG. 4 is a bottom view thereof; and,

FIG. 5 is a perspective view of the button mounting assembly with the two mounting portions assembled together.

### [56] **References Cited**

#### U.S. PATENT DOCUMENTS

D. 27,536	8/1897	Richardson	.....	D11/220
D. 27,639	9/1897	Bray	.....	D8/386
216,954	7/1879	Heckmann	.....	24/705
354,662	12/1886	Smith	.....	24/92
767,461	8/1904	White	.....	24/95
2,189,995	2/1940	Reiter	.....	D11/220

**1 Claim, 2 Drawing Sheets**

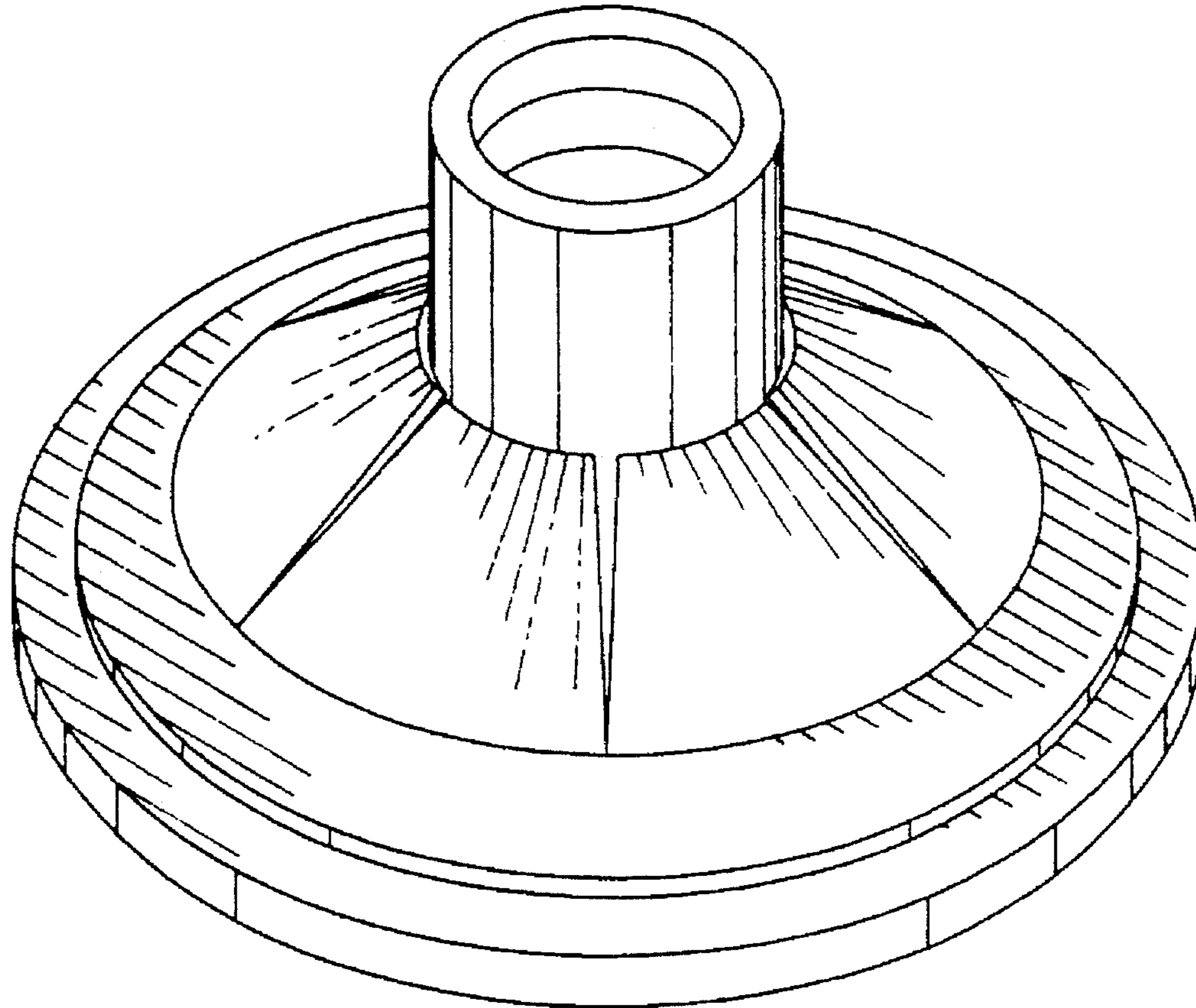


FIG. 1

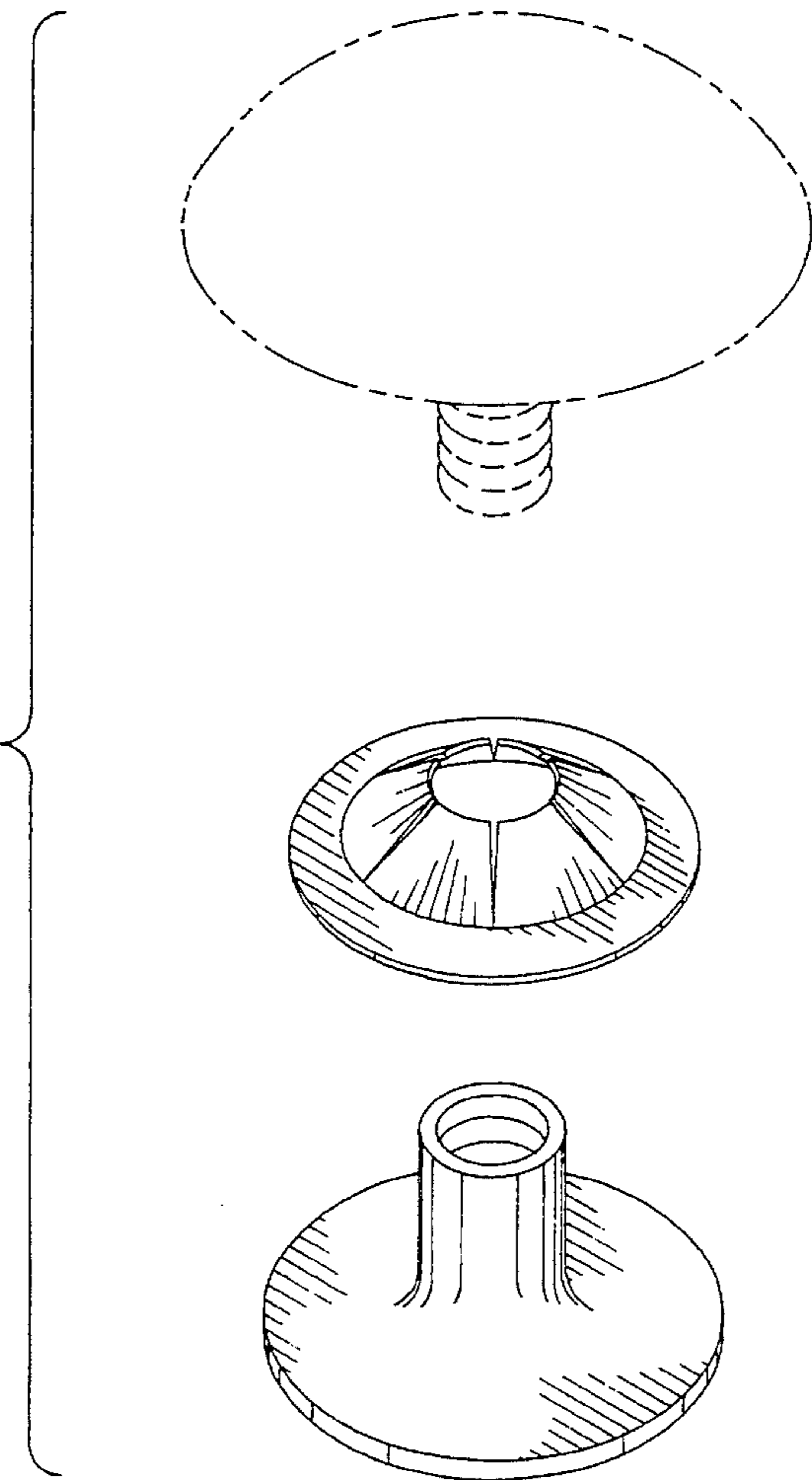
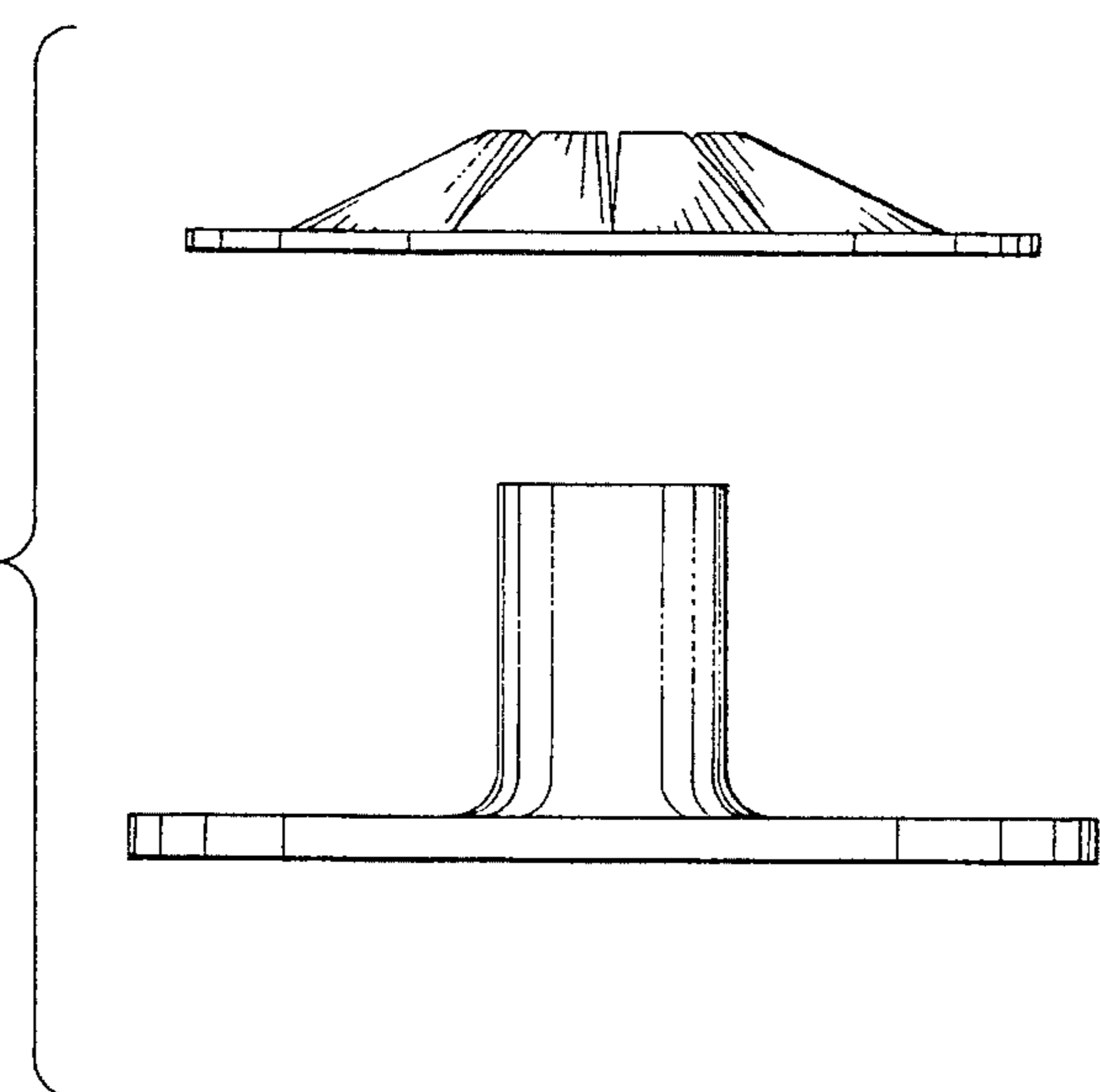


FIG. 2



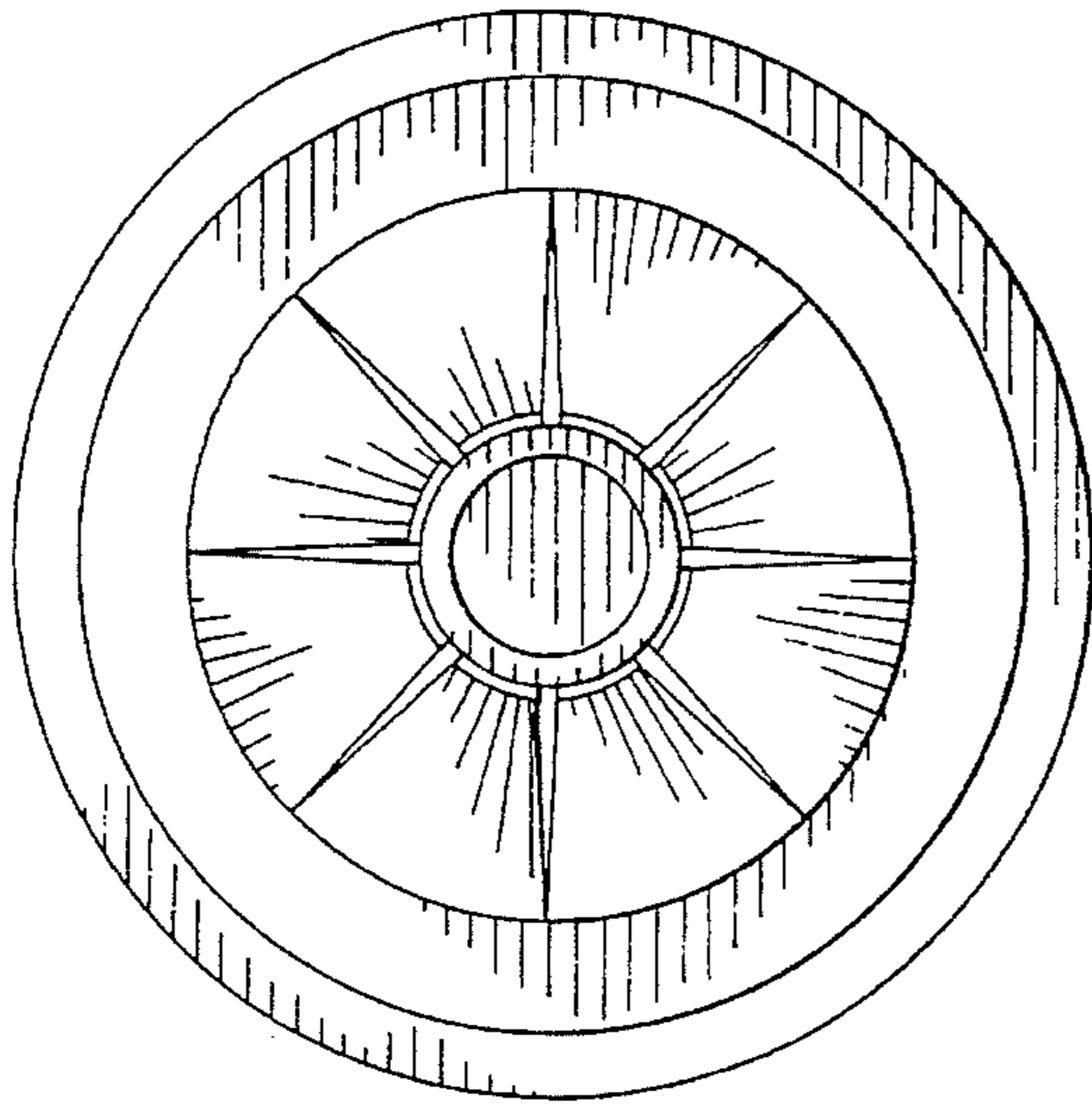


FIG. 3

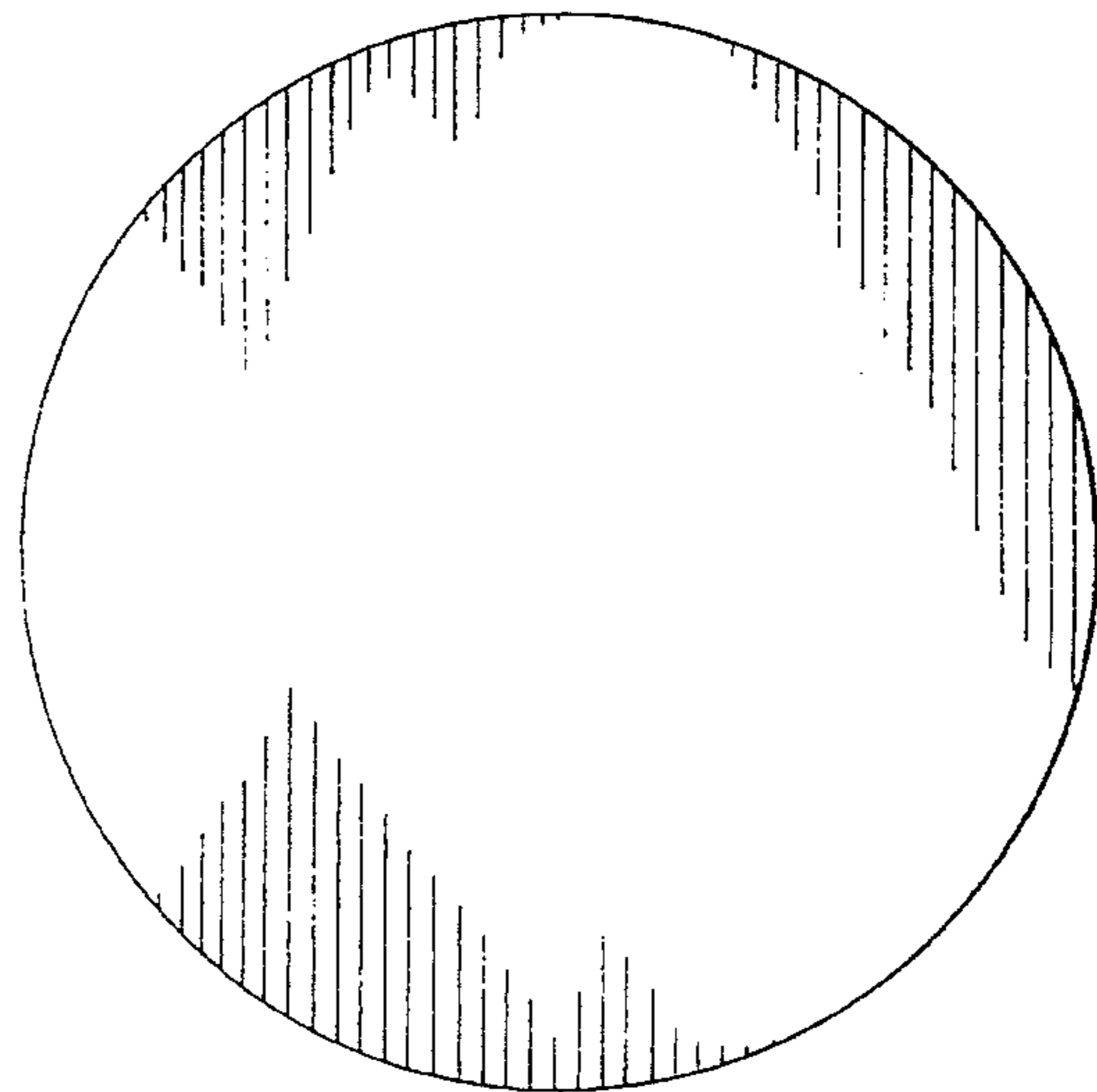


FIG. 4

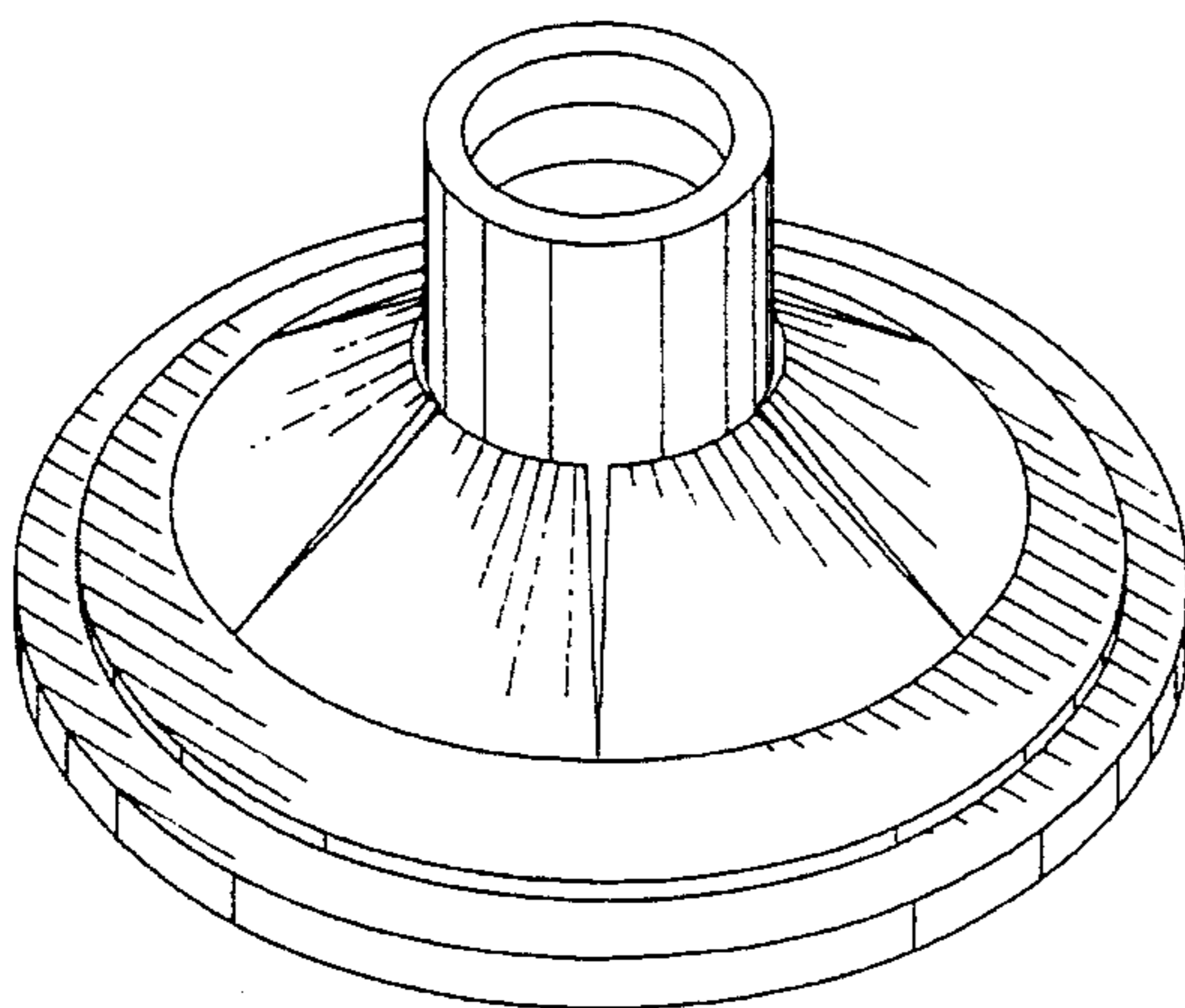


FIG. 5