



US00D365044S

United States Patent [19]

Anscher

[11] **Patent Number: Des. 365,044**

[45] **Date of Patent: **Dec. 12, 1995**

[54] **STRAP ADJUSTER**

[75] Inventor: **Joseph Anscher**, Muttontown, N.Y.

[73] Assignee: **National Molding Corporation**, Farmingdale, N.Y.

[**] Term: **14 Years**

[21] Appl. No.: **26,642**

[22] Filed: **Aug. 2, 1994**

[52] U.S. Cl. **D11/218**

[58] **Field of Search** D11/200-220;
24/170, 68 SB, 69 R, 69 J, 69 CT, 68 T,
68 E, 68 CD, 68 R, 68 SC

[56] **References Cited**

U.S. PATENT DOCUMENTS

40,432	1/1910	Kemp	D11/218
64,374	4/1924	Schaaff	D11/218
D. 289,622	5/1987	Crowle et al.	D11/216
D. 297,423	8/1988	Kong	D11/216

D. 312,986	12/1990	Bianchi	D11/216
D. 337,745	7/1993	Fildan	D11/200
D. 352,681	11/1994	Fildan	D11/200

Primary Examiner—Ralf Seifert
Attorney, Agent, or Firm—Collard & Roe

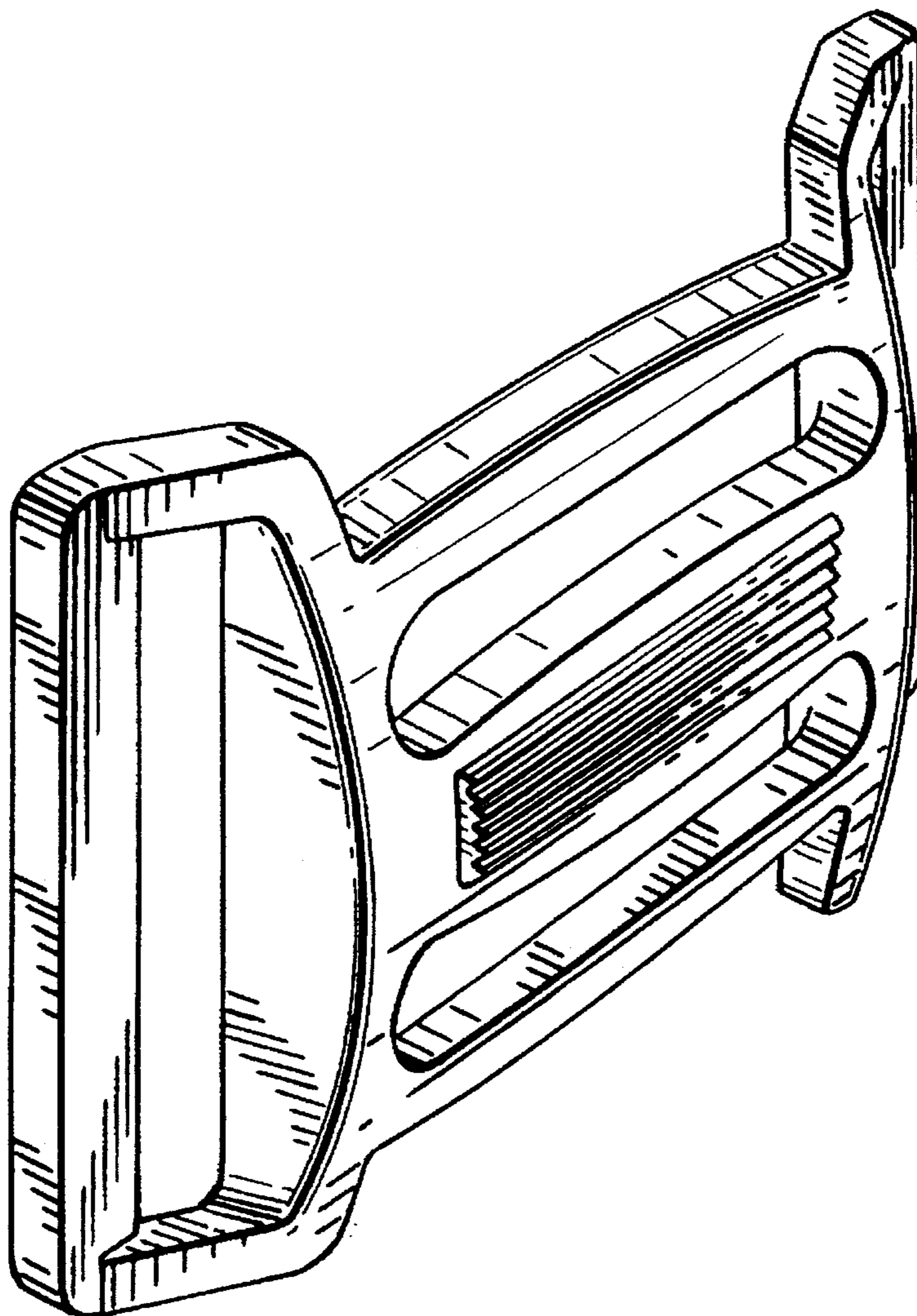
[57] **CLAIM**

The ornamental design for a strap adjuster, as shown and described.

DESCRIPTION

FIG. 1 is a left, front, top side perspective view of a strap adjuster, showing my new design;
FIG. 2 is a right side elevational view thereof, the left side elevational view being identical;
FIG. 3 is a front side elevational view thereof;
FIG. 4 is a top plan view thereof, the bottom plan view being identical; and,
FIG. 5 is a rear side elevational view thereof.

1 Claim, 2 Drawing Sheets



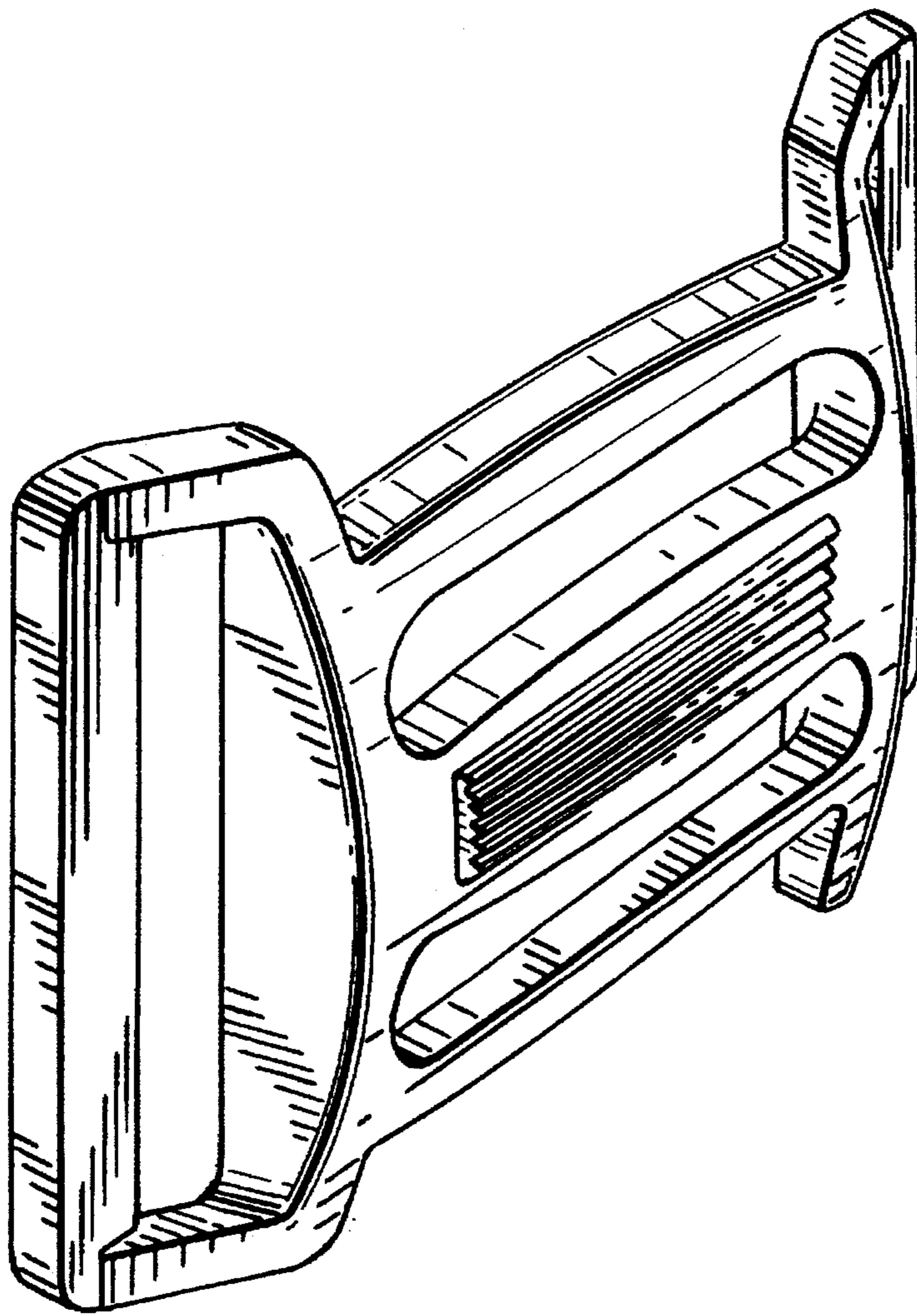


FIG. 1

FIG. 2

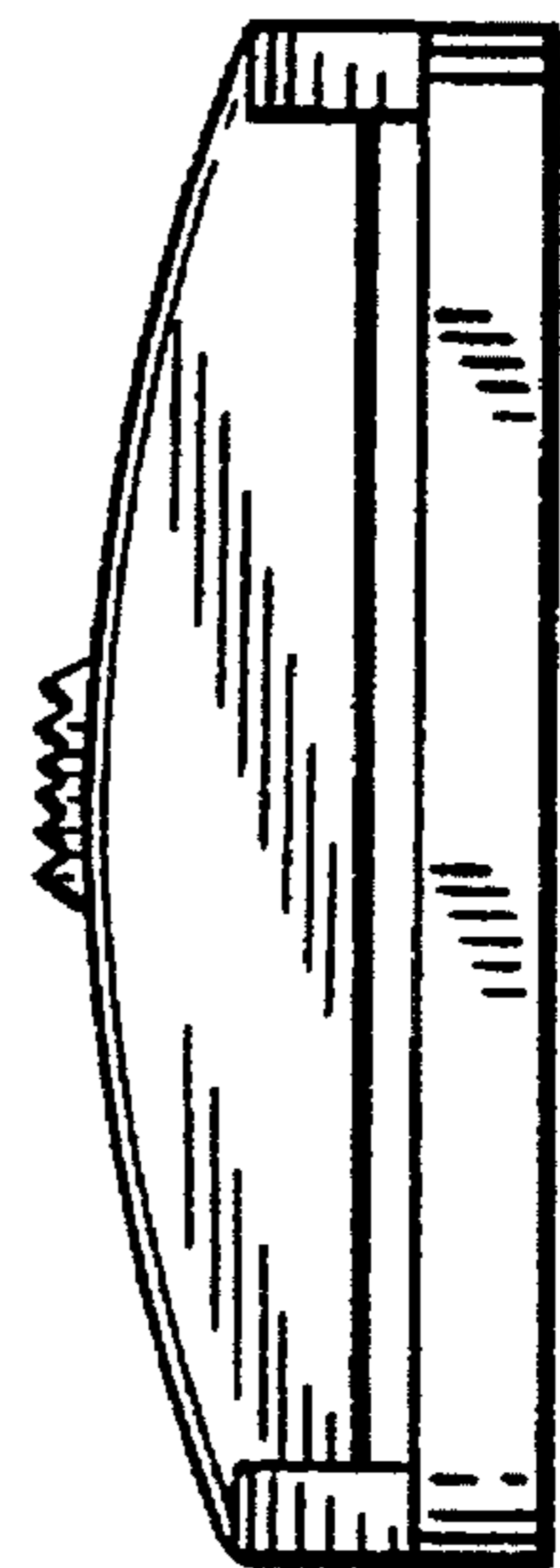


FIG. 3

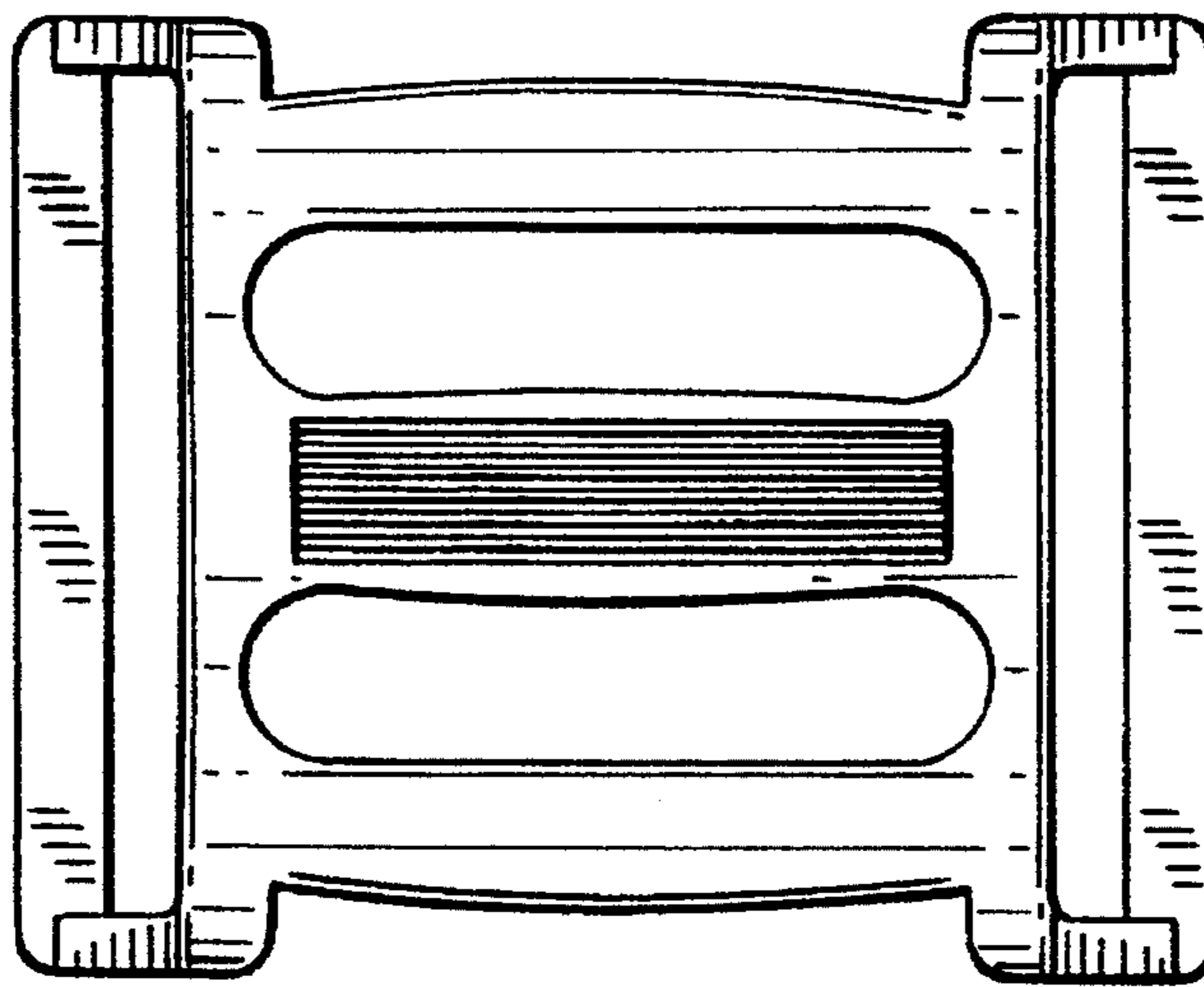


FIG. 4

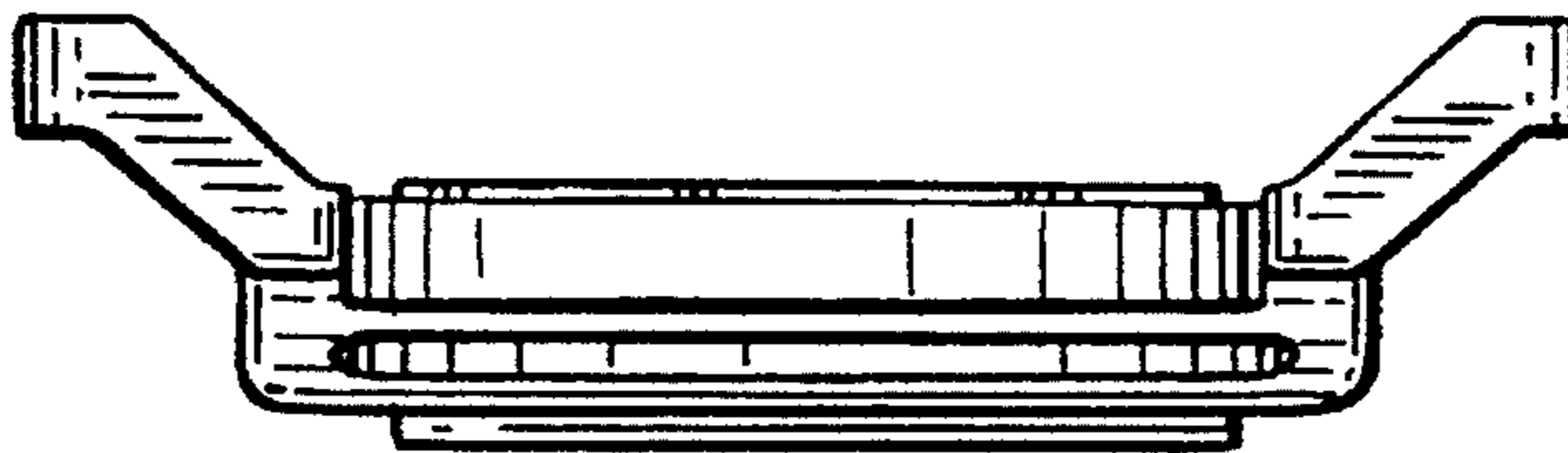


FIG. 5

