



US00D365039S

United States Patent [19]

[11] Patent Number: **Des. 365,039**

Brandon et al.

[45] Date of Patent: ****Dec. 12, 1995**

[54] **COMBINED BADGE AND SNAP ENGAGEMENT**

56,797	12/1920	Alsterlund	D11/95
D. 301,990	7/1989	Webb	D11/81
D. 305,105	12/1989	DeBrey	D11/99

[75] Inventors: **Patti E. Brandon**, 3416 NW. 72nd, Seattle, Wash. 98117; **W. Carl Coleman**, Seattle, Wash.

Primary Examiner—Ralf T. Seifert
Attorney, Agent, or Firm—Jensen & Puntigam

[73] Assignee: **Patti E. Brandon**

[57] **CLAIM**

[**] Term: **14 Years**

The ornamental design for a combined badge and snap engagement, as shown.

[21] Appl. No.: **23,524**

DESCRIPTION

[22] Filed: **May 26, 1994**

[52] U.S. Cl. **D11/97**

[58] Field of Search D11/1-3, 75, 79-116;
63/1.1, 2, 20, 18-21; 40/1.5

FIG. 1 is a rear perspective view of a combined badge and snap engagement showing my new design;

FIG. 2 is a front elevational view;

FIG. 3 is a rear elevational view;

FIG. 4 is a right side elevational view;

FIG. 5 is a top plan view; and,

FIG. 6 is a bottom plan view.

[56] **References Cited**

U.S. PATENT DOCUMENTS

51,213 8/1917 Page D11/95

1 Claim, 2 Drawing Sheets

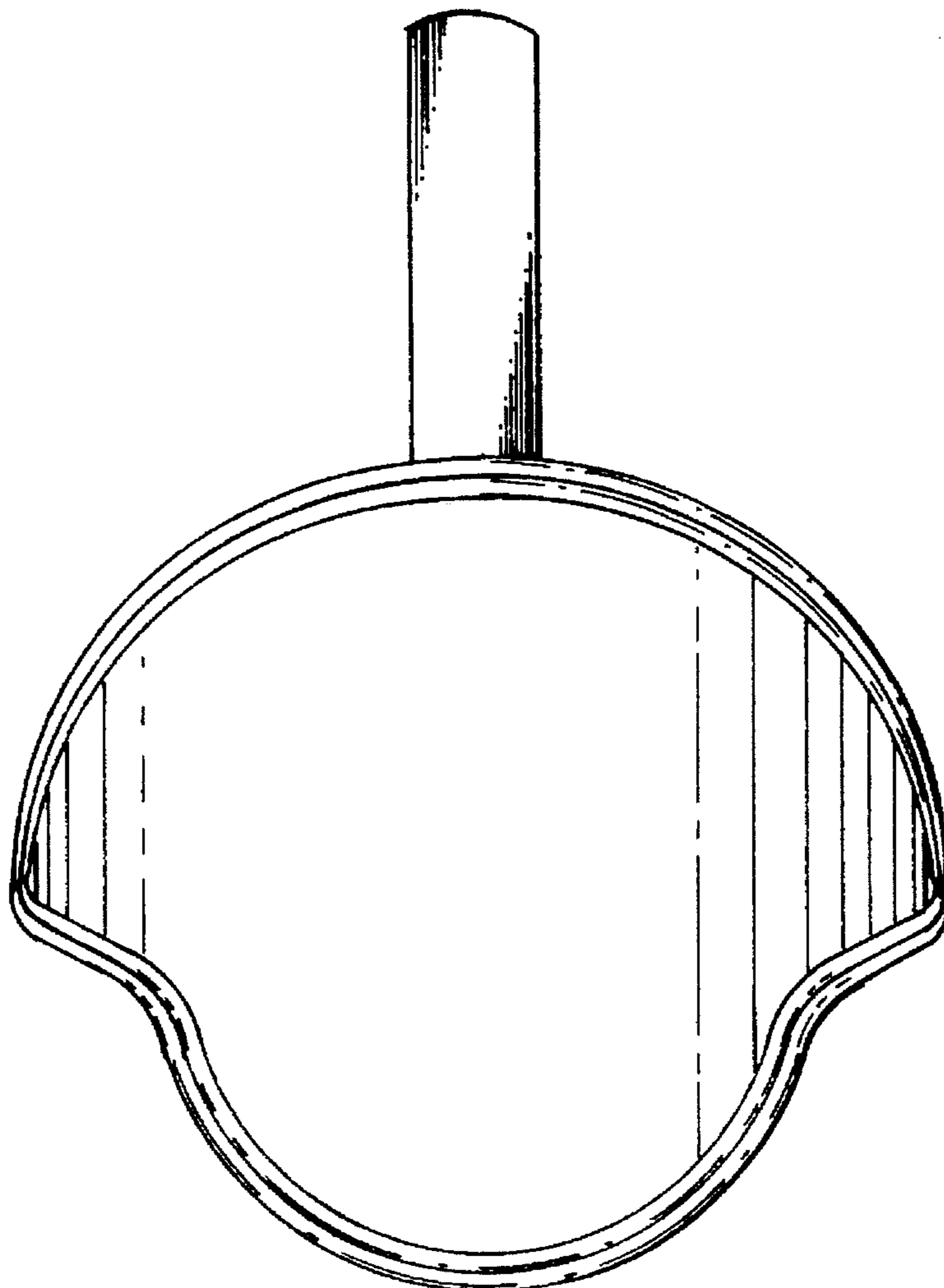


FIG. 1

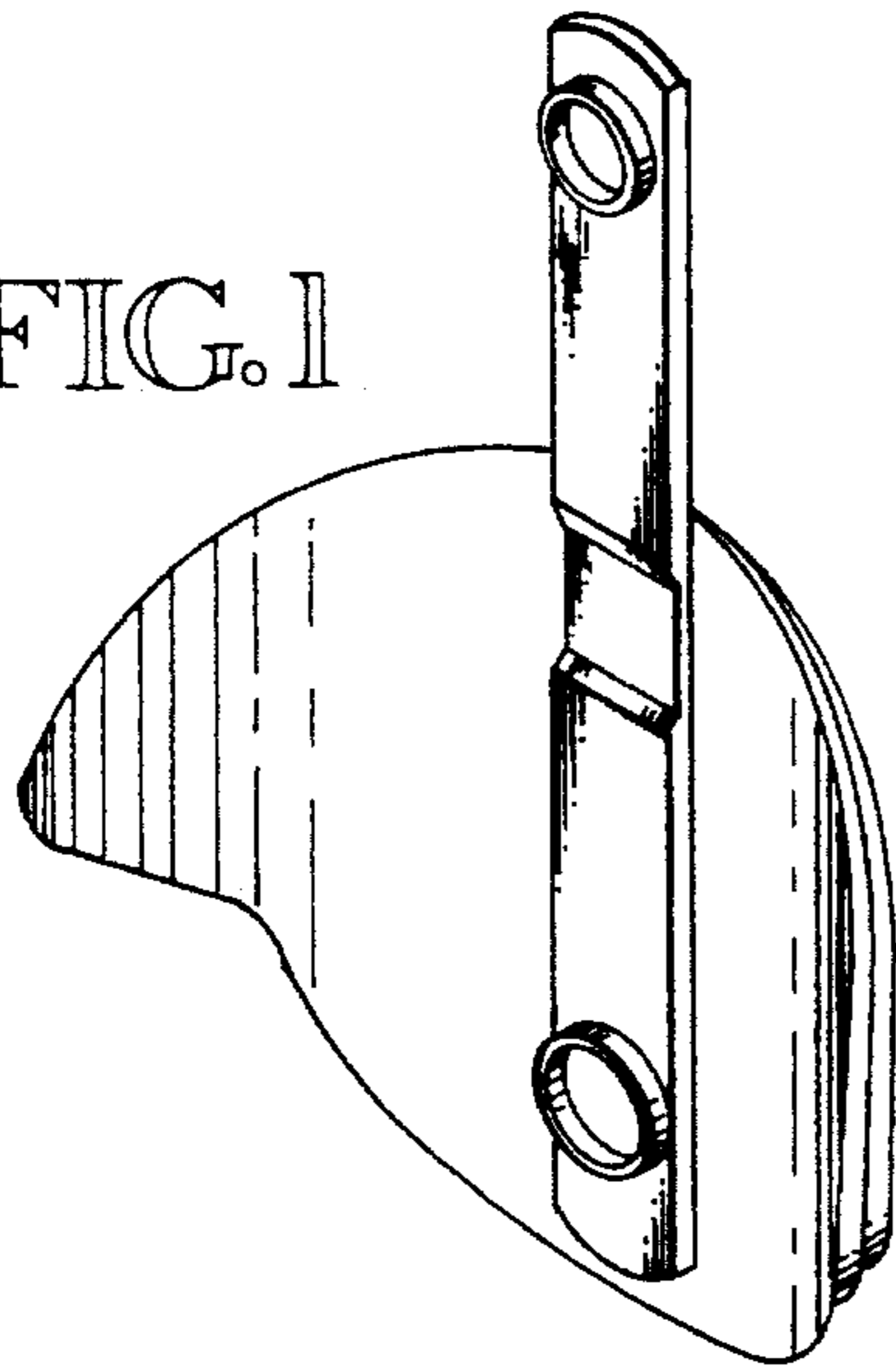


FIG. 2

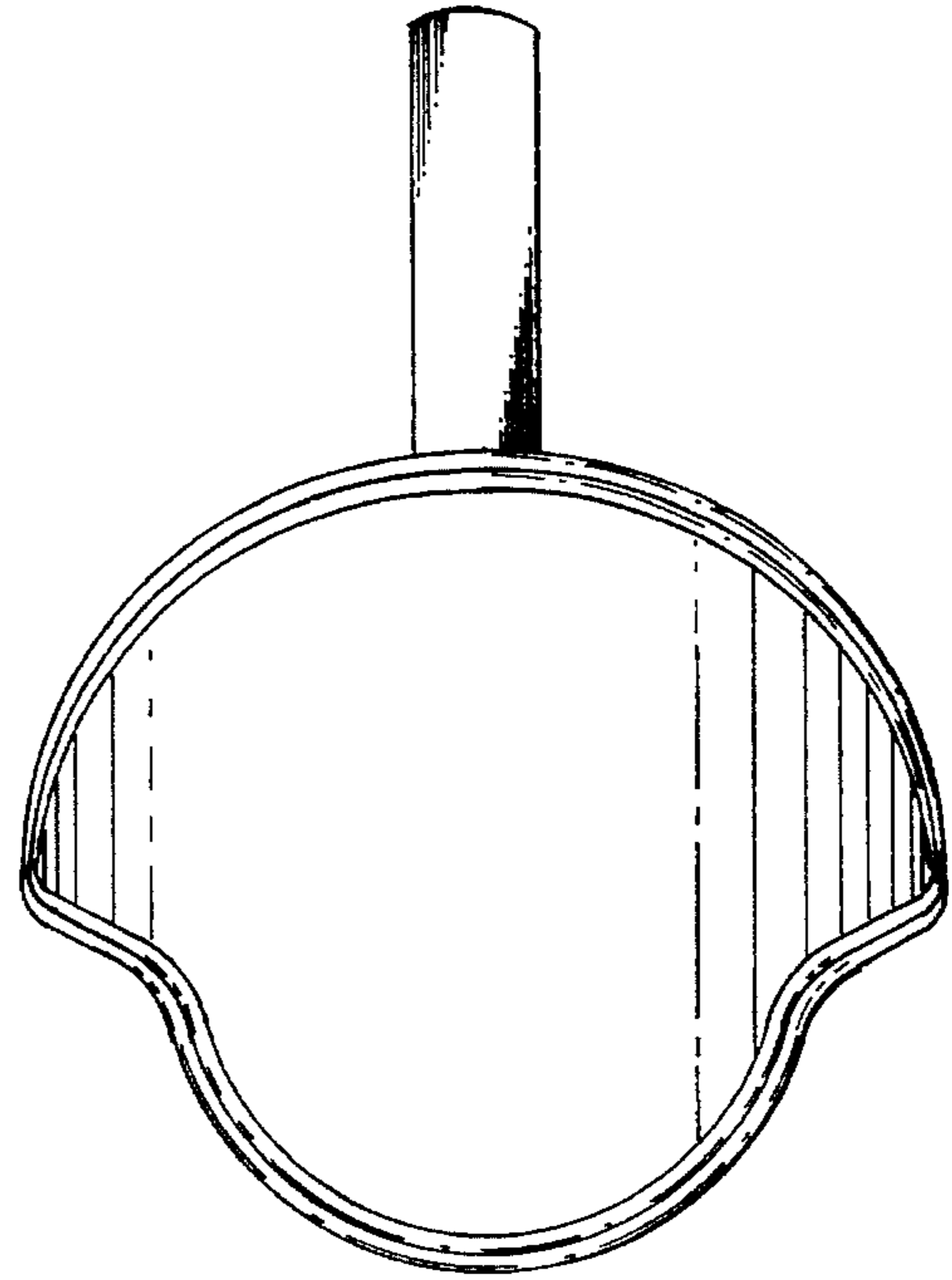


FIG. 3

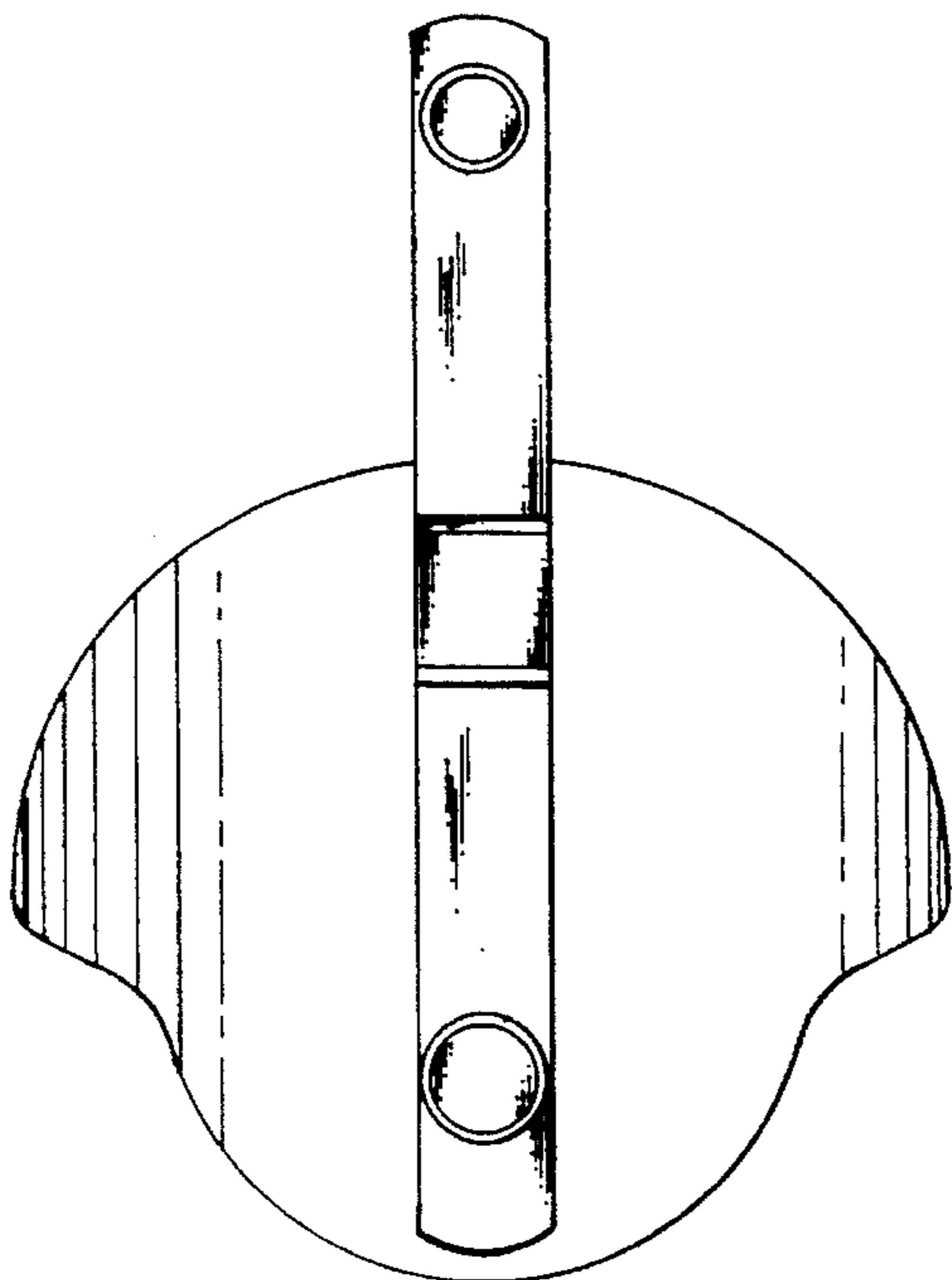
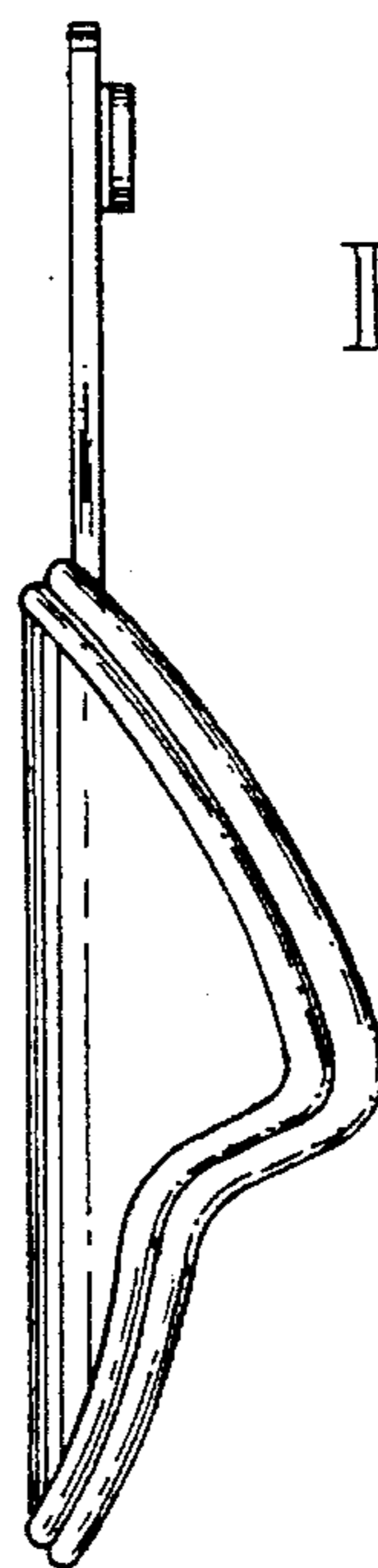


FIG. 4



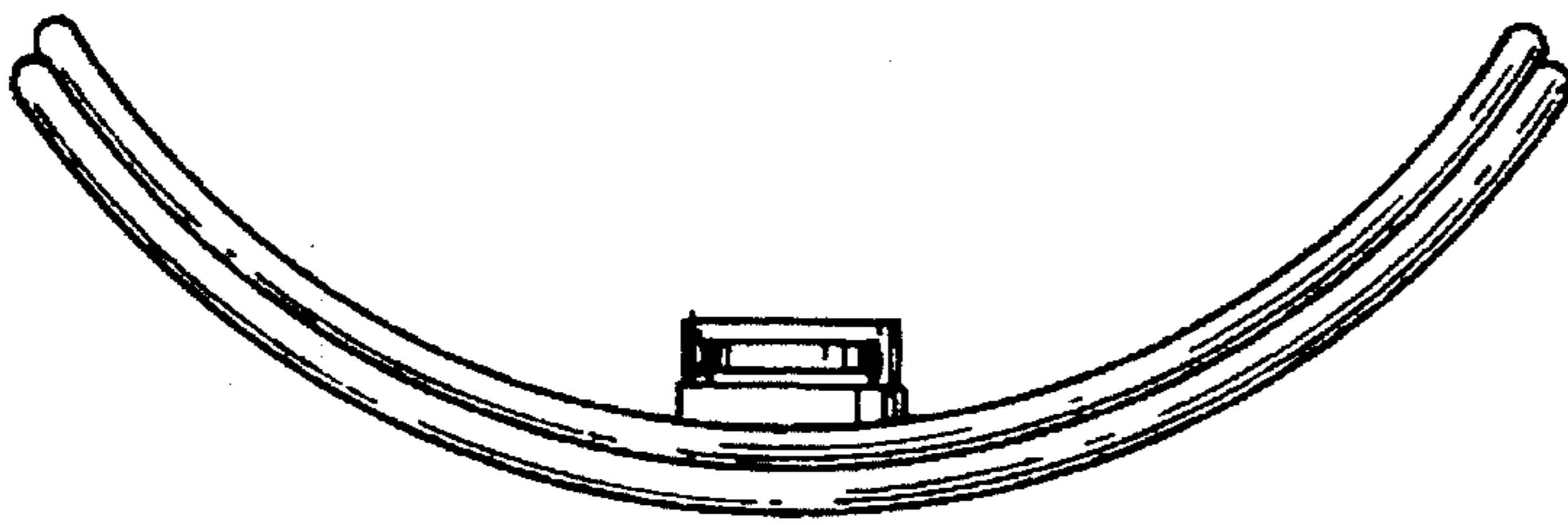


FIG. 5

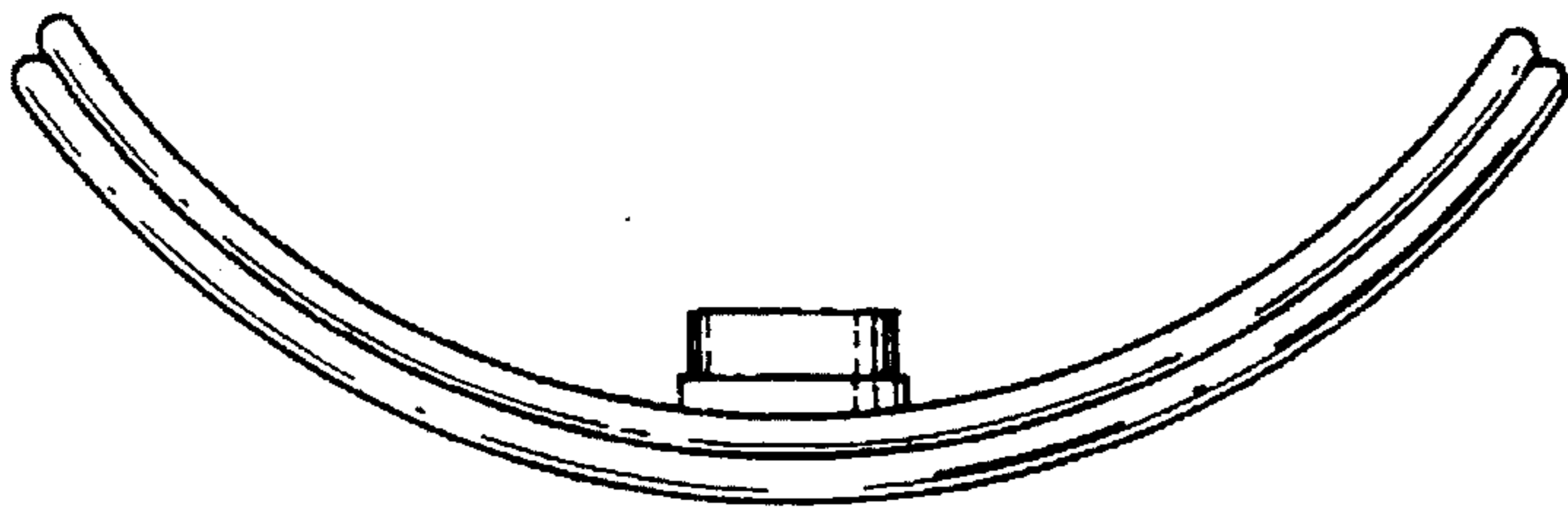


FIG. 6