



US00D365033S

United States Patent [19]

[11] **Patent Number: Des. 365,033**

Hoofnagle et al.

[45] **Date of Patent: **Dec. 12, 1995**

[54] **REMOTE UNIT FOR LOCAL AREA NETWORK CABLE TESTER**

5,027,074 6/1991 Haferstat 324/539
5,109,200 4/1992 Dushane et al. 324/508

[75] Inventors: **Wayne S. Hoofnagle**, Bellevue; **Roger L. Howell**, Seattle; **C. Mark Nerby**, Bothell, all of Wash.

Primary Examiner—Alan P. Douglas
Assistant Examiner—Antoine D. Davis

[73] Assignee: **Fluke Corporation**, Everett, Wash.

[57] **CLAIM**

[**] Term: **14 Years**

The ornamental design for a remote unit for local area network cable tester, as shown and described.

[21] Appl. No.: **32,676**

DESCRIPTION

[22] Filed: **Dec. 23, 1994**

FIG. 1 is a bottom, front, and right side perspective view showing our new design;

[52] U.S. Cl. **D10/80**; D10/78

FIG. 2 is a front elevational view;

[58] **Field of Search** D10/78, 80; D13/168;
324/66, 506, 508, 539, 542, 543, 556, 540;
356/73.1; 379/6, 21, 26, 27, 29

FIG. 3 is a right side elevational view;

FIG. 4 is a top plan view;

FIG. 5 is a rear elevational view;

FIG. 6 is a left side elevational view; and,

FIG. 7 is a bottom plan view thereof.

[56] **References Cited**

The broken line showing of input receptacles are for illustrative purposes only and forms no part of the claimed design.

U.S. PATENT DOCUMENTS

D. 299,922 2/1989 Schremmer D13/168 X
4,553,085 11/1985 Canzano 324/51

1 Claim, 3 Drawing Sheets

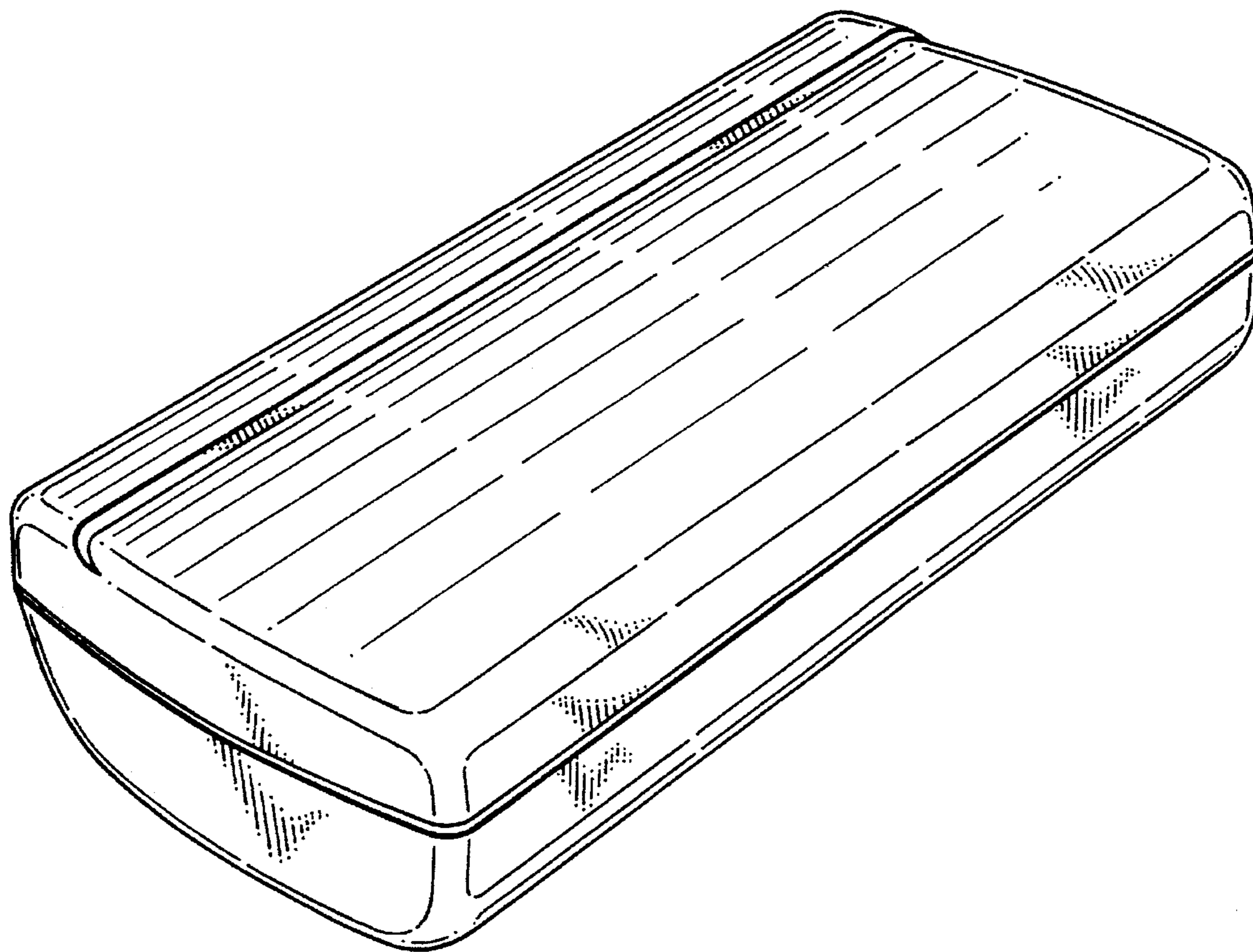


FIG. 1

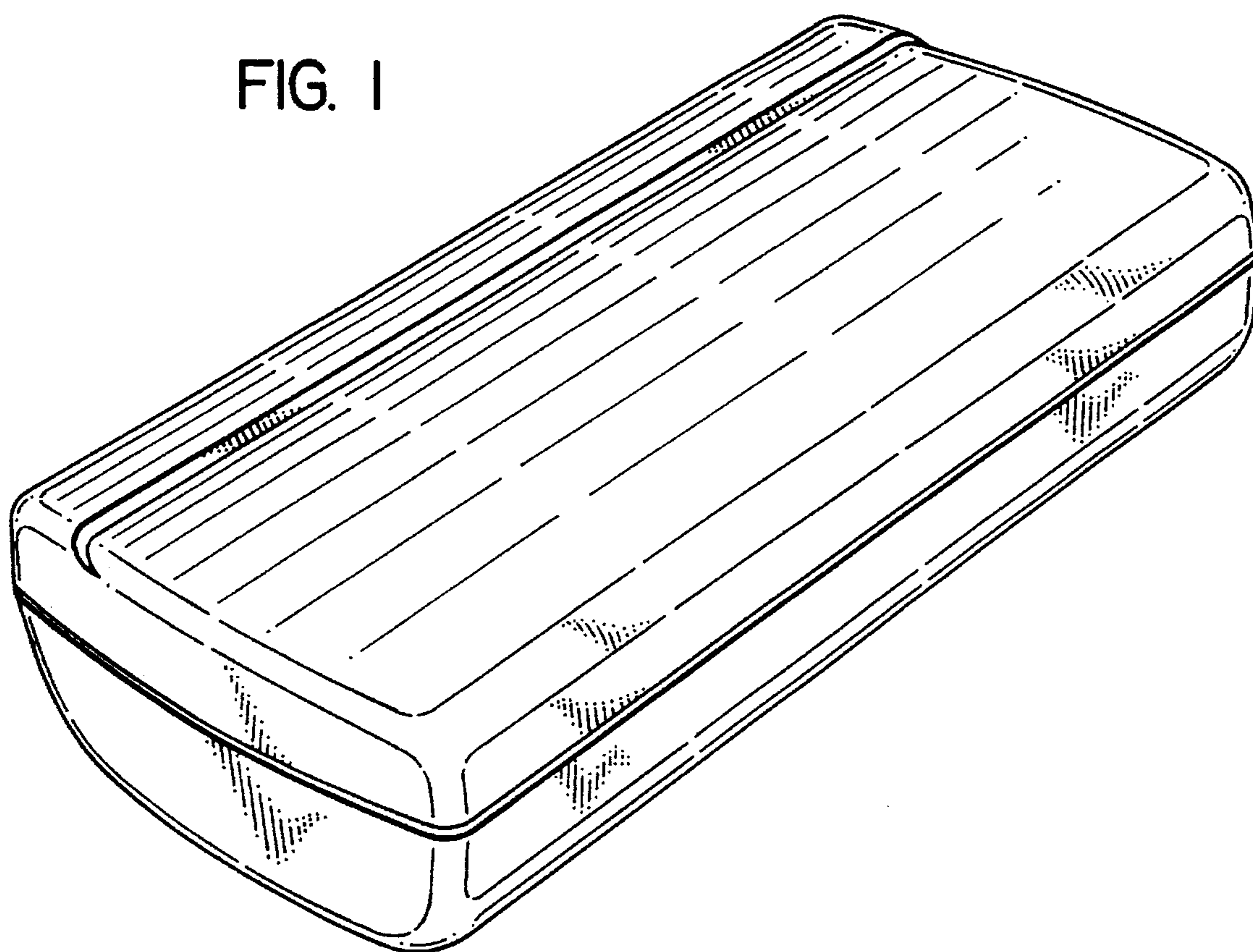


FIG. 2

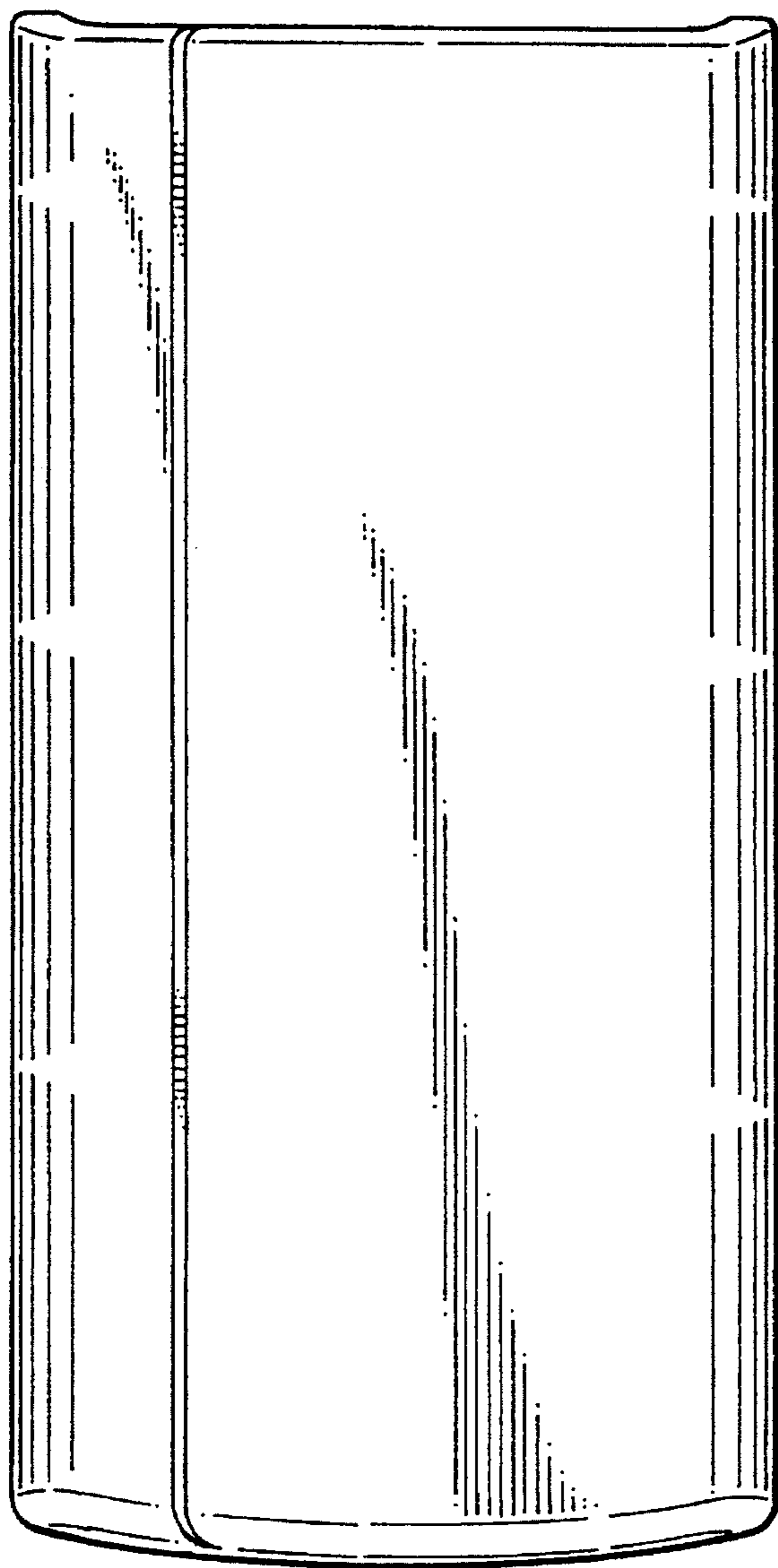


FIG. 3

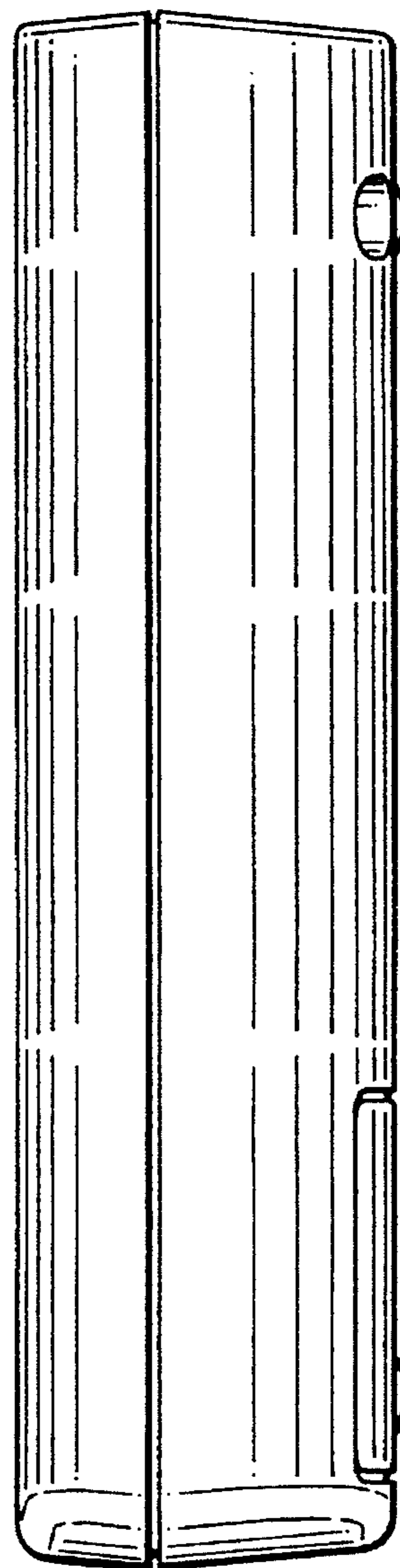


FIG. 4

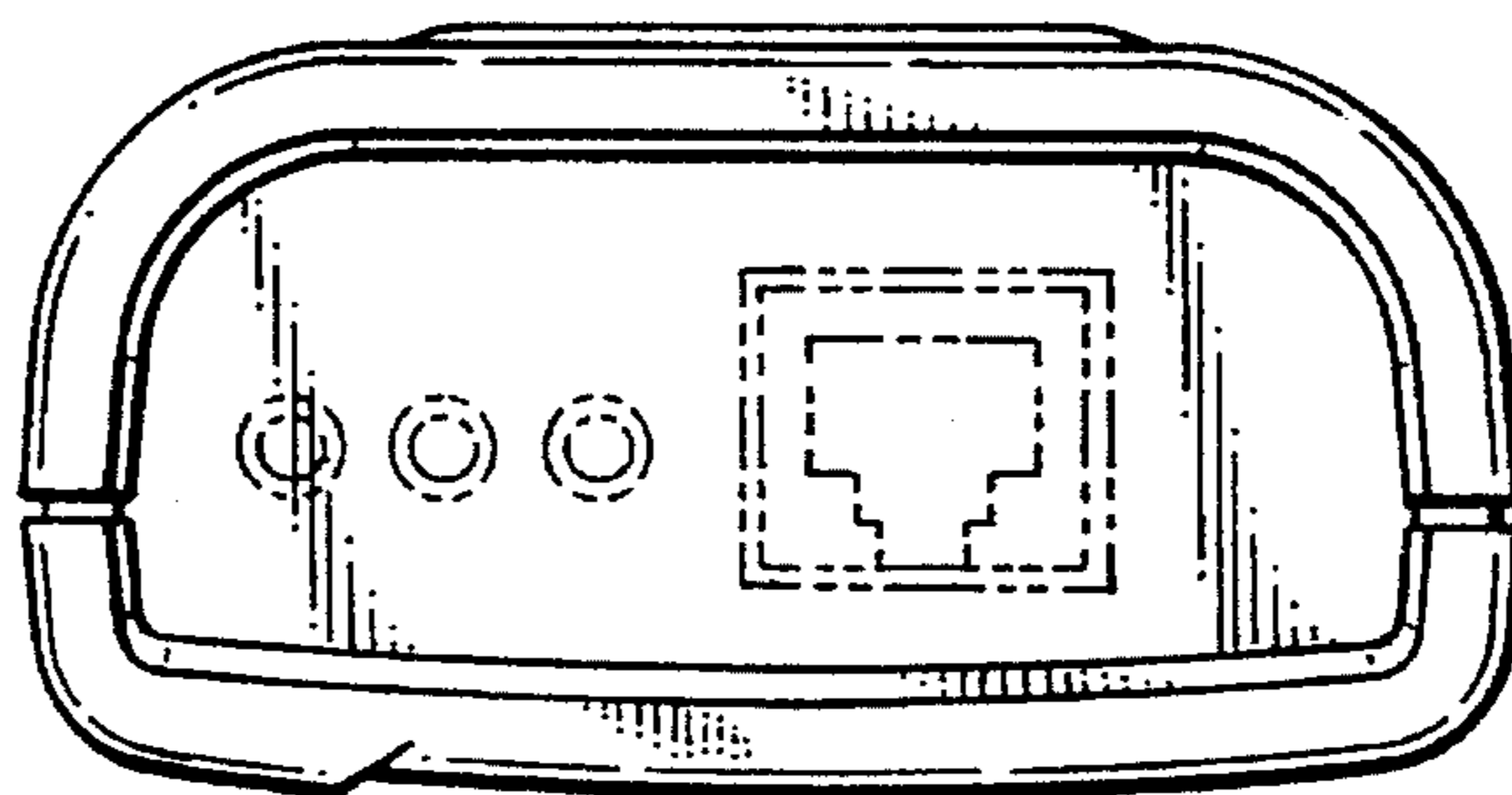


FIG. 5

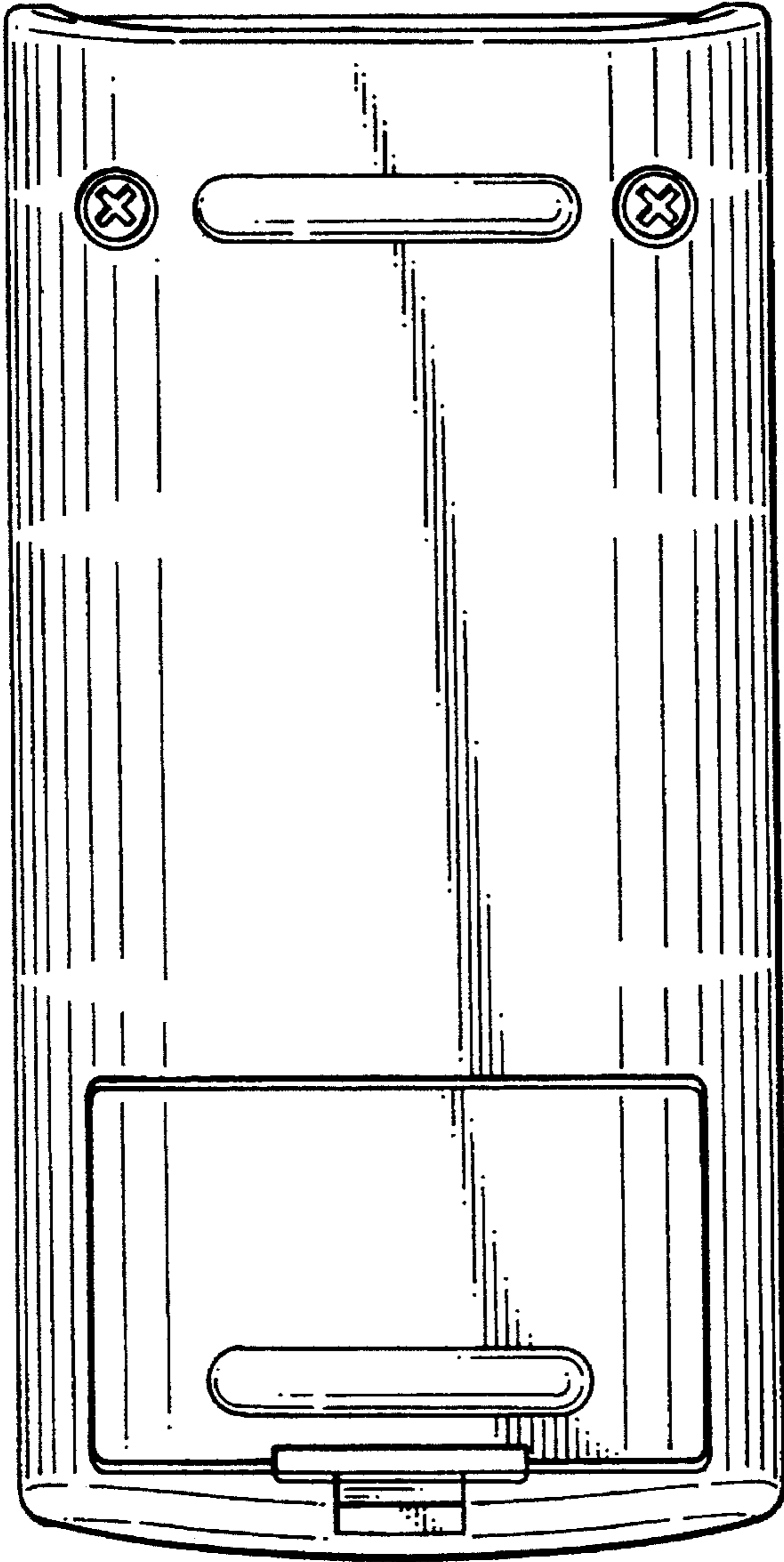


FIG. 6

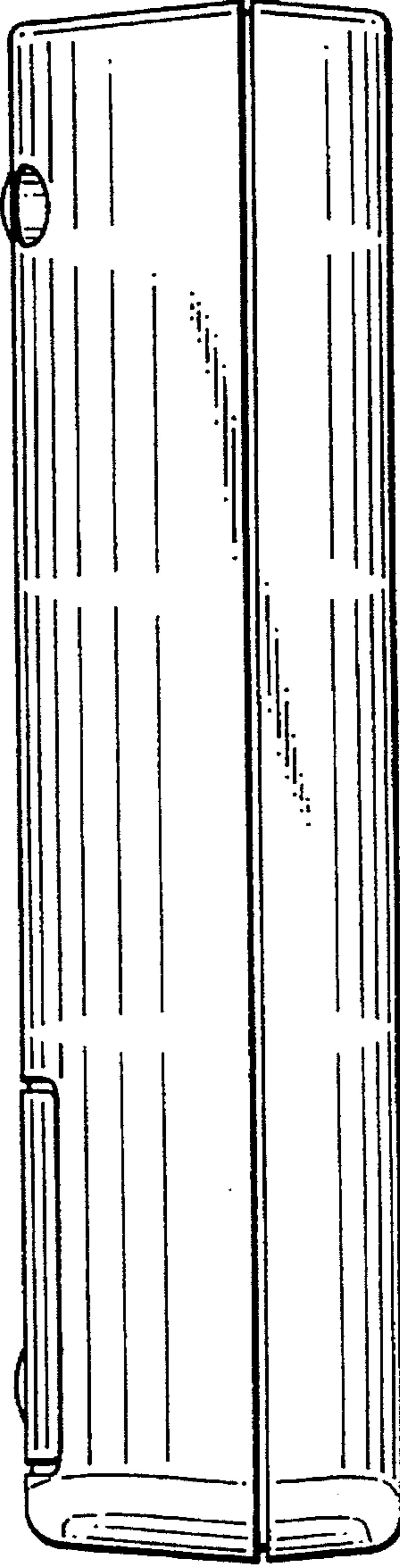


FIG. 7

